



Electrak[®]

Garden Tractor

42" ROTARY MOWER For Rear or Side Discharge

REAR DISCHARGE MOWER KIT INSTALLATION

Assemble the mower and kit components as shown in Figure 1. Attach the baffle, side cover, clutch assemblies and blades in that order.

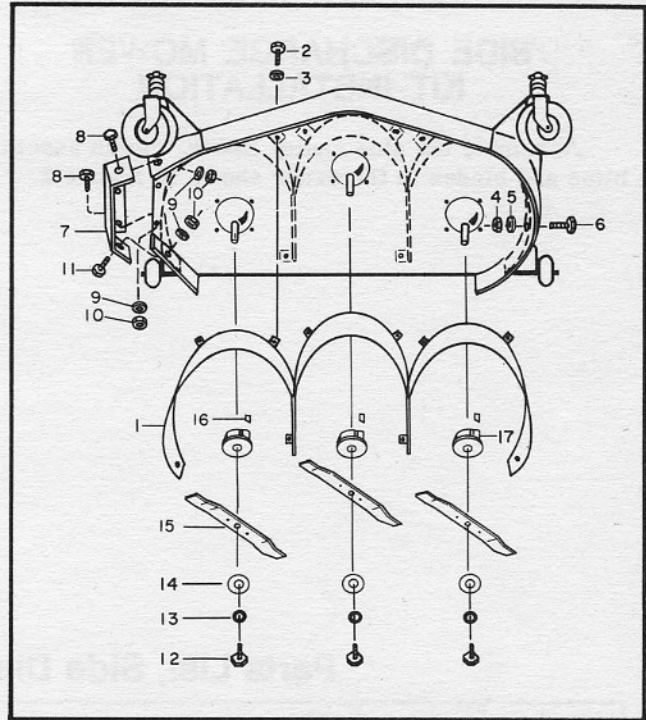


Fig. 1 Rotary Mower Rear Discharge Kit Installation

Parts List, Rear Discharge - Model No. R42

Ref. No.	Description	Catalog Number or Size	Qty.
1	Baffle	423D204G1	1
2	Bolt - fastening baffle to frame	1/4 - 20 - 7/8" hex hd.	8
3	Lock washer for baffle bolt	1/4"	8
4	Nut for baffle bolt (opposite chute end)	1/4 - 20" hex hd.	1
5	Lock washer baffle bolt (opposite chute end)	1/4"	1
6	Bolt fastening baffle to frame (opposite chute end)	1/4 - 20 - 5/8" hex hd.	1
7	Cover plate (closing side opening)	542C899P1	1
8	Bolt (fastening cover plate to frame, front & top)	1/4 - 20 - 5/8" hex hd.	3
9	Nut (for cover plate bolts)	1/4 - 20	4
10	Lock washer for cover plate bolts	1/4"	4
11	Bolt (fastening rear side cover plate to frame)	1/4 - 20 - 3/4" hex hd.	1
12	Bolt (fastening blade)	5/16 - 24 - 1 1/2" hex hd.	3
13	Lock washer for blade bolt	5/16"	3
14	Washer for blade bolt	2 1/4 O.D. 3/8 I.D. 1/8" thk.	3
15	Blade	163B9871P1	3
16	Key	163B9892P3	3
17	Clutch body	163B9891P1	3

SIDE DISCHARGE MOWER KIT INSTALLATION

Assemble the side chute, baffle, clutch assemblies and blades in the order shown in Figure 2.

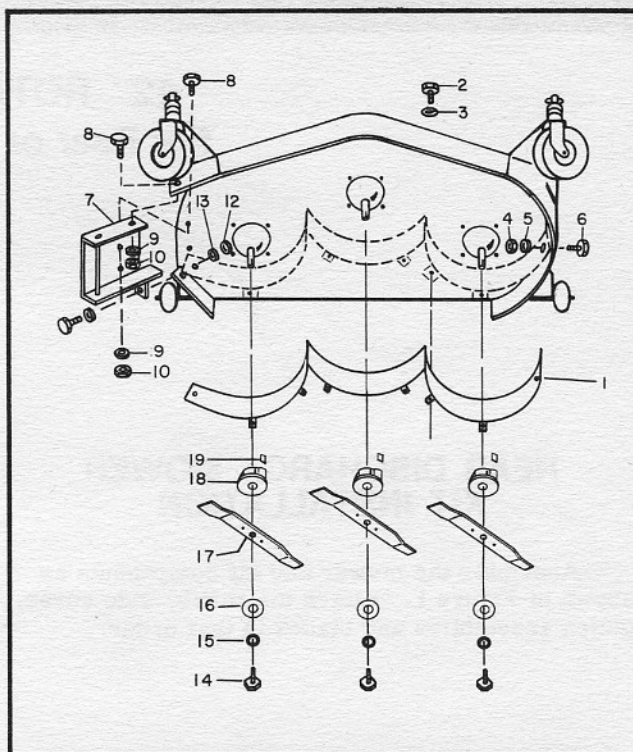


Fig. 2 Rotary Mower Side Discharge Kit Installation

Parts List, Side Discharge - Model No. S42

Ref. No.	Description	Catalog Number or Size	Qty
1	Baffle	587E934G1	1
2	Bolt - fastening baffle to frame	1/4 - 20 x 5/16" hex hd.	6
3	Lock washer for baffle bolt	1/4"	6
4	Nut for baffle bolt (opposite chute end)	1/4 - 20	1
5	Lock washer for baffle bolt (opposite chute end)	1/4"	1
6	Bolt - fastening baffle to frame (opposite chute end)	1/4 - 20 x 5/8 hex hd.	1
7	Discharge chute	541C906G1	1
8	Bolt - fastening chute to frame (top & front)	1/4 - 20 x 5/8" hex hd.	3
9	Nut for chute bolt (top & front)	1/4 - 20	3
10	Lock washer for chute bolt (top & front)	1/4"	3
11	Bolt - fastening chute through frame & baffle	1/4 x 2- x 3/4 hex hd.	1
12	Nut for chute bolt (frame & baffle)	1/4 x 20	1
13	Lock washer for chute bolt (frame & baffle)	1/4 x 20	1
14	Bolt - fastening blade	5/16 - 24 x 1 1/2 hex hd.	3
15	Lock washer - for blade bolt	5/16"	3
16	Washer - for blade bolt	2 1/2 O.D. x 3/8 I.D. x 1/8" thk	3
17	Blade	163B9871P1	3
18	Clutch body	163B9891P1	3
19	Key	163B9892P3	3

General Electric Company
Outdoor Power Equipment Operation
Corporations Park, Bldg. 702
Schenectady, N. Y. 12305

GENERAL  ELECTRIC