



Electrak[®]

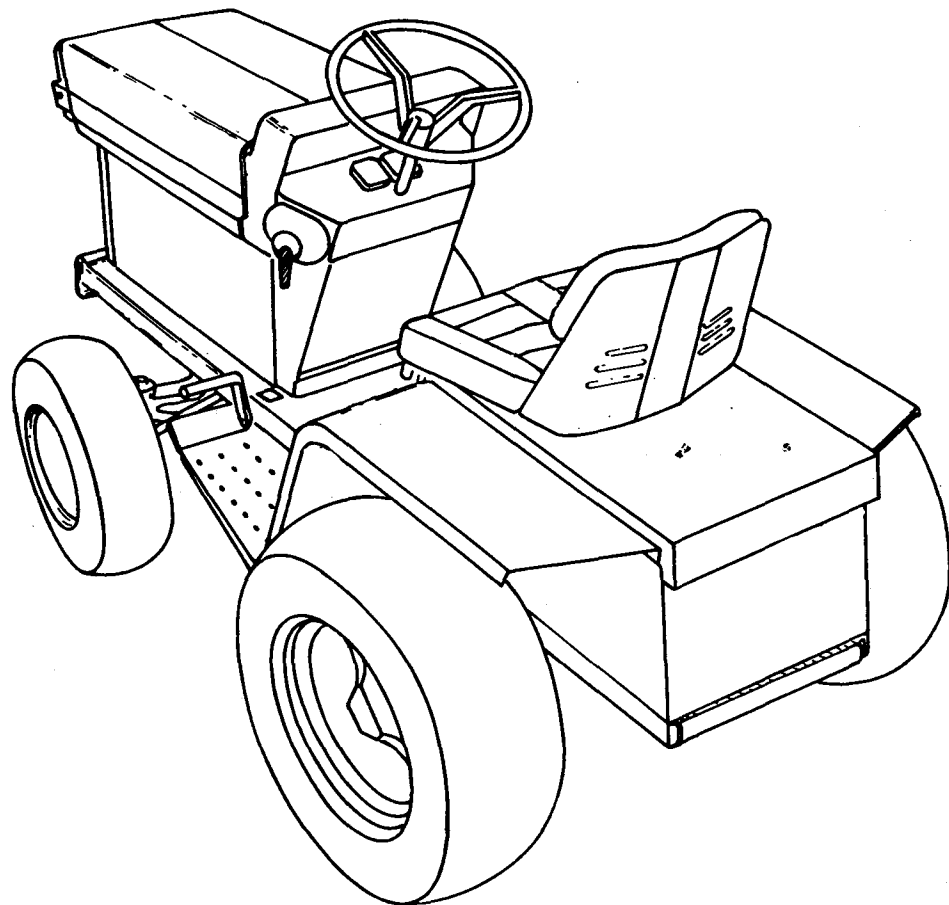
GEF-4374C

Tractor



Electrak[®]

TRACTOR PARTS CATALOG



General Electric Company
Outdoor Power Equipment Operation
Corporations Park, Bldg. 702
Schenectady, N. Y. 12345

GENERAL  **ELECTRIC**

CONTENTS

Section		Page
1	E20 Tractor Parts	1-1
	Body Components	1-3
	Dash Components, E20AA - E20DA	1-5
	Dash Components, E20EA	1-7
	Electrical Components, E20AA - E20DA	1-9
	Electrical Components, E20EA	1-11
	Speed Control	1-13
2	E15 Tractor Parts	2-1
	Body Components	2-3
	Dash Components, E15AA - E15GA	2-5
	Dash Components, E15HA	2-7
	Electrical Components, Upper Control Panel, E15AA - E15GA	2-9
	Electrical Components, Lower Control Panel, E15AA - E15GA	2-11
	Electrical Components, E15HA	2-13
	Speed Control	2-15
3	E12s Tractor Parts	3-1
	Body Components	3-3
	Dash Components	3-5
	Electrical Components, Upper Control Panel	3-7
	Electrical Components, Lower Control Panel	3-9
	Speed Control	3-11
4	E12 Tractor Parts	4-1
	Body Components	4-3
	Dash Components, E12 CA, DA, HA, JA	4-5
	Electrical Components, Upper Control Panel, E12CA, DA, HA, E12M EA	4-7
	Electrical Components, E12JA	4-9
	Speed Control	4-11
5	E12M Tractor Parts	5-1
	Body Components	5-3
	Dash Components	5-5
	Electrical Components, E12CA, DA, HA, E12MEA	5-7
	Speed Control	5-9
6	E8 and E10 Tractor Parts	6-1
	Body Components	6-3
	Front Battery Compartment, E8M, E8HD	6-5
	Front Battery Compartment, E10M	6-7
	Dash Components	6-9
	Electrical Components	6-11
	Rear Battery Compartment, E10M	6-13
	Rear Battery Compartment, E8M	6-15
	Undercarriage Components, E8M AA - CA, E10M AA - CA	6-17
	Undercarriage Components, E8DA, EA, E10DA	6-19
	Drive Assembly	6-21
7	Rear Battery Compartment	7-1
	Rear Battery Compartment, Large Frame	7-3
8	Chargers	8-1
	Charger for E20, E15, E12s, E12, E12M	8-3
	Charger for E8M and E10M	8-5
9	Lifts	9-1
	Front Lift, E20, E15, E12s, and E12	9-3
	Lift, E12M	9-5
	Lift, E8M and E10M	9-7

CONTENTS (cont'd)

Section		Page
10	Brakes	10-1
	Brake, Models E20 AA-CA, E15 AA-GA, E12 AA-BA, E12 CA-HA	10-3
	Brake, Models E20 DA, E15 HA, E12 JA	10-5
	Brake, E12M	10-7
	Brake, Models E8M and E10M	10-9
11	Transaxles	11-1
	2318 Transaxle	11-3
	1716 Transaxle	11-7
	1216 Transaxle	11-11
12	Miscellaneous Hardware	12-1
13	Steering	13-1
	Large Frame Steering	13-3
	Small Frame Steering	13-5
14	Large Frame Undercarriage	14-1
	Undercarriage Components	14-3
15	Front Battery Compartment, Large Frame	15-1
	Front Battery Compartment	15-3
16	Accessories	16-1
	Rotary Mower Assembly, 42-Inch	16-3
	Rotary Mower Rear Discharge Assembly	16-7
	Rotary Mower Side Discharge Assembly	16-9
	48-Inch Snow/Dozer Blade	16-11
	Snow Thrower, Model AD42AA	16-13
	Snow Thrower, Model AD42BA	16-17
	Snow Thrower, Model AD38AA	16-19
	E12M Mid-Mount Rotary Mower	16-23
	E8M and E10M Mid-Mount Rotary Mower	16-25
	Elec-Trak Lawnmower, Walk Behind	16-27
	42-Inch Snow/Dozer Blade	16-29
	Front Mounted 56-Inch Gang Mower	16-31
	Trailing Lawn Sweeper	16-33
	Lawsweeper Motor Kit, KS31	16-37
	Vacuum, CV60	16-39
	48-Inch V-Plow, BV48	16-41
	Rotary Tiller, VV100	16-43
	Tiller Mounting Bracket VV101	16-45
	12 Cubic Foot Dump Cart	16-47
	Enclosed Cab AG55	16-48
	Canopy Top BC11	16-49
	Double Seat BD22	16-49
	Golf Bag Holder BG33	16-49
	Power Unit, TM3	16-51
	Grass Trimmer Head TH80	16-53
	Hedge Trimmer Head TH70	16-55
	Weeder Cultivator HC05	16-57
	Lawn Edger Trimmer HE06	16-61
	Chain Saw HS13	16-65
	GE Housewares Service Centers	16-66
	Mower Motor Replacement Parts	16-67
17	Master Parts Price List, GEZ-5529	

DISTRIBUTORS

1. Chelmsford Lawnmower Center Inc.
15 Groton Road, Route 40
N. Chelmsford, Massachusetts 01863
(617) 251-8822
2. Allen Lawnmower Inc.
20 River Street
W. Springfield, Massachusetts 01089
(413) 733-7837 or 733-7833
3. J. M. Snyder & Son Inc.
80 W. Park Avenue
Neffs, Pennsylvania 18065
(215) 767-3869
4. Natcher-Moore
3447 Wilmington Road
New Castle, Pennsylvania 16105
(412) 658-7131
5. Hines, Inc.
102 S. Main Street
Union, Ohio 45322
(513) 836-5876 or 836-5184
6. Ball Sales & Service, Inc.
G-6200 N. Saginaw Road
Mt. Morris, Michigan 48458
(313) 789-9111
7. Reynolds Farm Equipment, Inc.
Box 108, 126th Street
Fishers, Indiana 46038
(317) 849-0810
8. Stults Scientific Engineering Corp.
3313 S. 66th Freeway
Springfield, Illinois 62703
(217) 529-3723
9. Reed Randle Tractors Inc.
W. Belvidere Street
Waukegan, Illinois 60085
(312) 662-2125
10. Miller Power Saw Co.
North West Loop 323 at Highway 64
Tyler, Texas 75701
(214) 592-8201 or 593-8258
11. Environmental Products of Orlando
1831 Tallokas Avenue
Orlando, Florida 32805
(305) 422-8049
12. High Point Lawn & Garden Equipment
Company
2928 N. Main Street
High Point, North Carolina 27260
(919) 869-2212
13. Stiefvater Electric Company, Inc.
Clinton Road, Rt. 12B
Utica, New York 13413
(315) 853-5581
14. Howard Griffin Inc.
P. O. Drawer 1462
700-712 S. Grand Street
Monroe, Louisiana 71201
(318) 387-6000

TABLE OF CONTENTS

<u>FIGURE</u>	<u>TITLE</u>
E20-1	Body Components
E20-2	Dash Components
E20-3	Dash Components, E20EA
E20-4	Electrical Components
E20-5	Electrical Components, E20EA
E20-6	Speed Controls

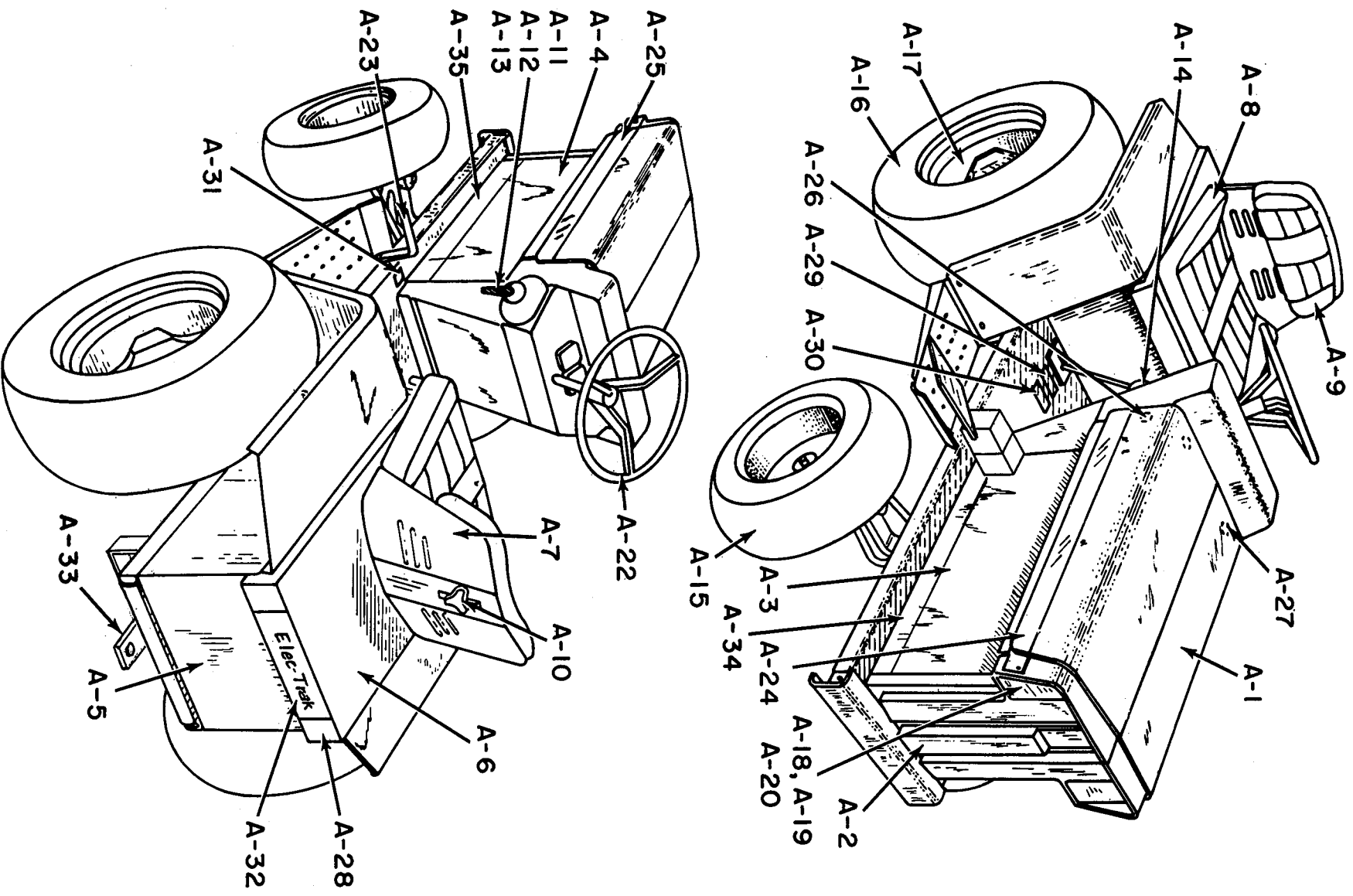


Fig. E20-1

BODY COMPONENTS

<u>Ref. No.</u>	<u>Part No.</u>	<u>Description</u>
A-1	158C9050G3	Hood Assembly
A-2	423D214P2	Front Grill
A-3	422D837P1	Side Body Panel, Right
A-4	422D838P1	Side Body Panel, Left
A-5	423D221G1	Rear Battery Box Assy. (Includes Fenders)
A-6	541C937G8	Rear Battery Box Cover (Less Seat)
A-7	247A7412G1	Seat
A-7	243A4799P1	Seat Pan
A-8	178B8003P1	Cushion, Bottom
A-9	243A4800P1	Cushion, Rear
A-10	243A4801P1	Rear Seat Knob
A-11	178B8137G1	Power Disconnect
A-12	211A3448P1	Fusible Link (Located on Power Disconnect)
A-13	243A4502P1	Power Disconnect Knob
A-14	211A3249P1	Gear Shift Knob
A-15	191B4507G1	Front Tire 16 x 6.50-8
A-16	243A4857G2	Rear Tire (23 x 10.50-12) & Rim
A-17	243A4589P1	Wheel Lug
A-18	211A3413P1	Headlight Lens
A-19	163B9936G1	Reflector and Light Assembly
A-20	211A3592P1	Lamp (GE 1076)
A-21	423D255P1	Steering Wheel
A-22	243A4828G1	Cap and Monogram Assembly
A-35	127D8095P3	Hood Decal, RH (DA + Later)
A-34	127D8095P4	Hood Decal, LH (DA + Later)
A-23		Brake Pedal Assembly (See Section N)
A-24	127D8094P3	Hood Decal, Right Hand
A-25	127D8094P4	Hood Decal, Left Hand
A-26	243A4639P1	Hood Rubber Bumper (Mounted on Both Sides)
A-27	243A4639P2	Hood Rubber Bumper (Mounted on Top - 2 Req.)
A-28	243A4870P1	Rear Tail Reflector (2 Req.)
A-29	243A4869P1	Decal, "To Facilitate Shifting"
A-30	243A4794P1	Decal, "Shift to Lower Gear"
A-31	211A3247P1	Decal, "Parking Brake"
A-32	178B8024P1	Decal, "Elec-Trak"
A-33	163B9919P1	Conv. Hitch

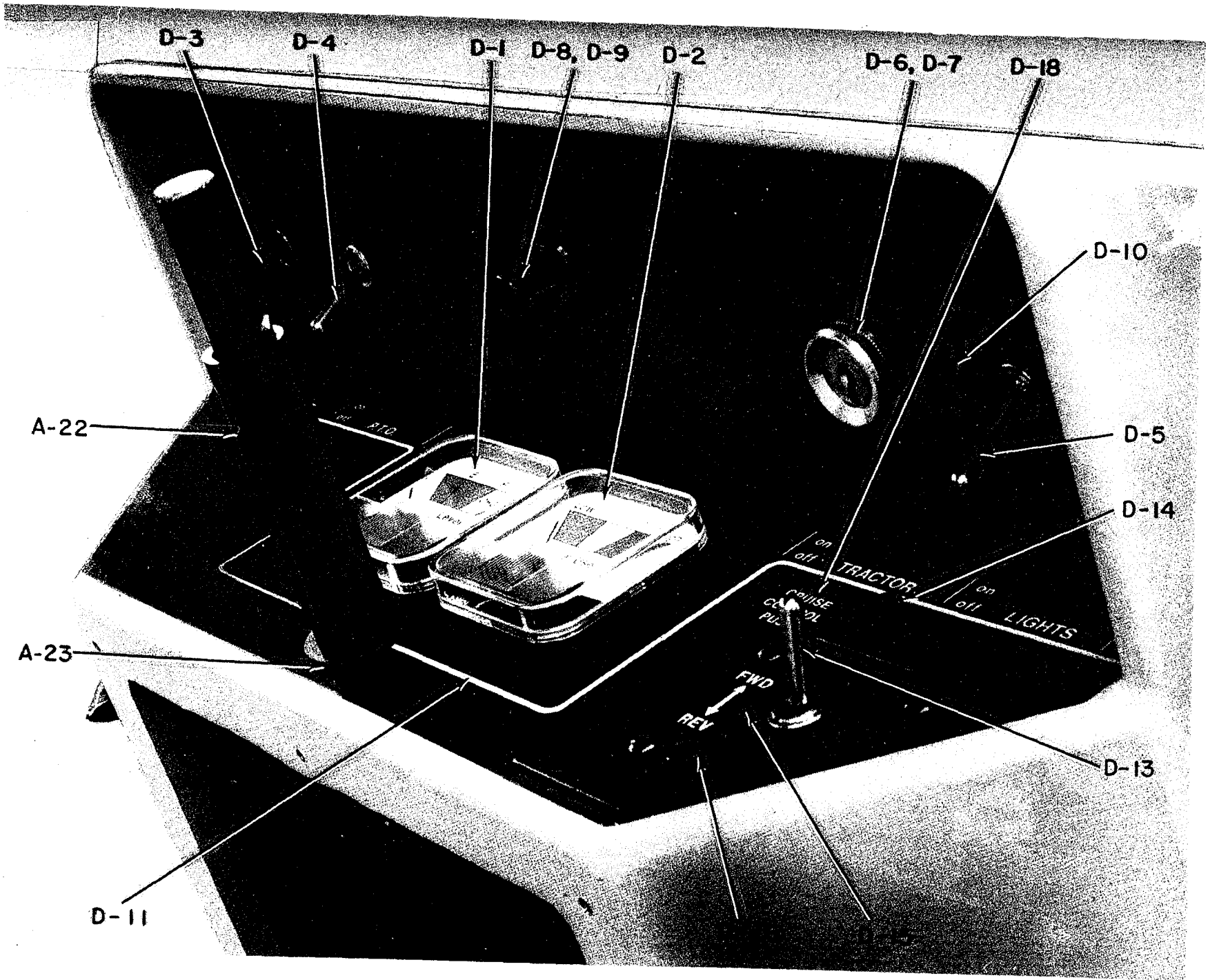
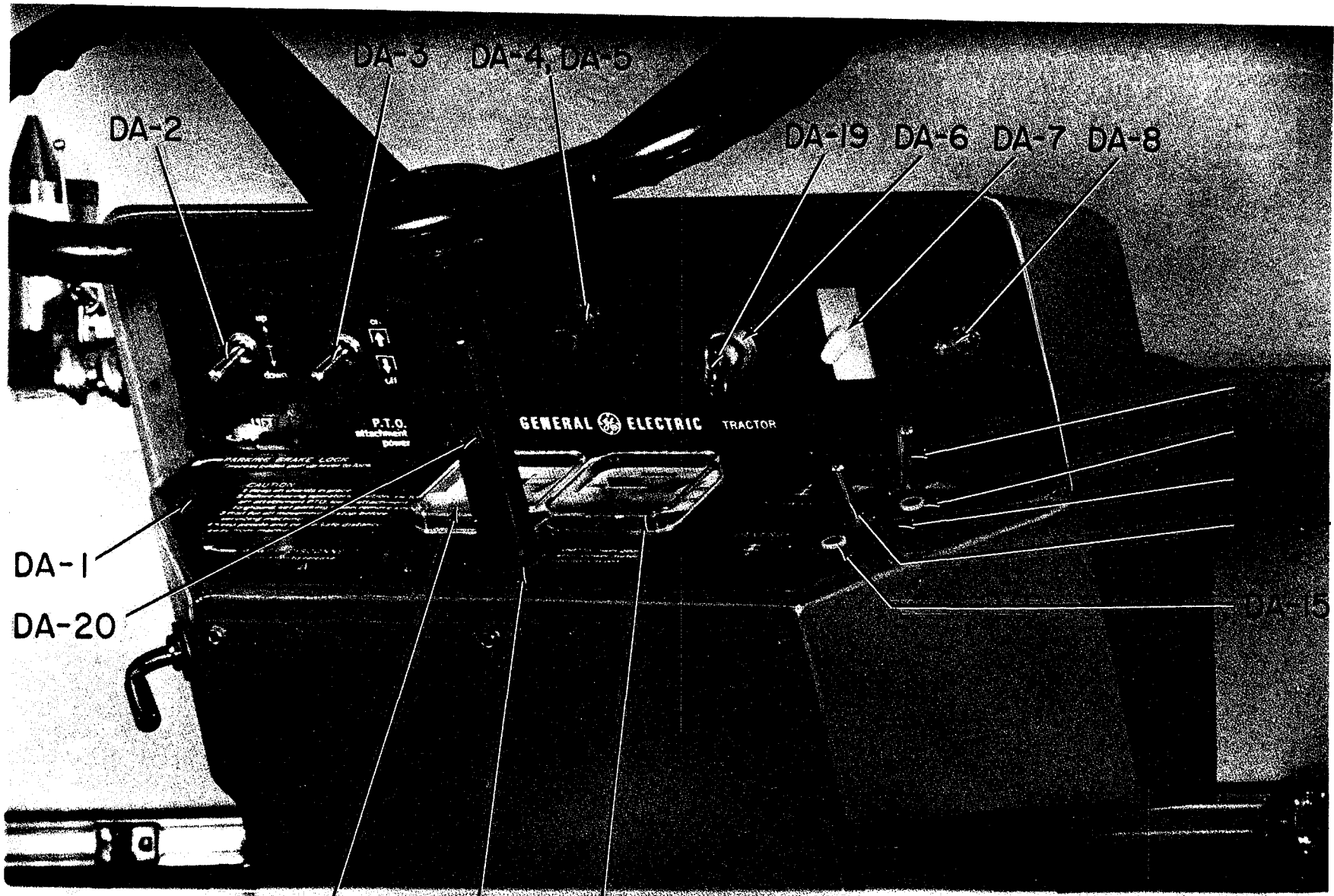


Fig. E20-2

DASH COMPONENTS

<u>Ref. No.</u>	<u>Part No.</u>	<u>Description</u>
D-1	243A4629G1	Fuel Level Gauge
D-2	243A4630G4	Power Use Gauge
D-3	243A4531P2	Lift Switch
D-4	243A4531P1	P. T. O. Switch
D-5	243A4531P3	Light Switch
D-6	243A4573P1	Key Switch
D-7	211A3597P1	Key
D-8	243A4574P1	Light, Dash
D-9	211A3591P1	Lamp (GE 1815)
D-10	163B9821P1	Dash Panel
D-11	541C681P1	Decal, Dash
D-12	541C994G1	Dash Harness
D-13	243A4814P1	F-R Switch
D-14	243A4848P1	Cruise Control Switch
D-15	243A4815P2	Decal (F-R)
D-16	243A4979P1	Reverse Light
D-17	178B8095G1	Cruise Control Harness (Not Pictured)
D-18	243A4815P1	Decal (Cruise Control)
D-19	211A3551P1	Tubing (Not Pictured - Insulation for Switch Terminals)
D-20	127D8106P1	Dash Panel (Requires REF D-21)
D-21	247A7469P1	Plug, Switch
D-22	243A4809P1	Sleeve (AA, BA, CA, DA only)
D-23	243A4576P3	Washer (AA, BA, CA, DA only)



DA-3 DA-4, DA-5

DA-2

DA-19 DA-6 DA-7 DA-8

GENERAL ELECTRIC TRACTOR

P.T.O.
attachment
power

PARKING BRAKE LOCK

CAUTION

DA-1

DA-20

DA-17

DA-21

DA-18

DA-15

Fig. E20-3
1-6

DASH COMPONENTS

<u>Ref. No.</u>	<u>Part No.</u>	<u>Description</u>
DA-1	127D8106P1	Dash Panel
DA-2	243A4531P2	Lift Switch
DA-3	244A7229P1	P. T. O. Switch
DA-4	243A4574P1	Light, Dash
DA-5	211A3591P1	Lamp (GE 1815)
DA-6	244A7308P1	Key Switch
DA-7	247A7455P1	Cruise Control Button (Switch)
DA-8	243A4531P3	Light Switch
DA-9	158C9052G1	Dash Harness
DA-10	211A3551P1	Tubing (Not Pictured - Insulation for Switch Terminals)
DA-11	178B8468P1	Plate, Fwd. - Rev.
DA-12	243A4531P3	Cruise Control Switch
DA-13	247A7474P2	Cruise Control Light
DA-14	243A4814P1	Fwd./Rev. Switch
DA-15	247A7474P1	Reverse Light
DA-16	178B8472G1	F-R Control Harness
DA-17	243A4629G1	Fuel Level Gage
DA-18	243A4630G4	Power Use Gage
DA-19	247A7354P1	Key
DA-20	243A4809P2	Sleeve
DA-21	243A4576P3	Washer

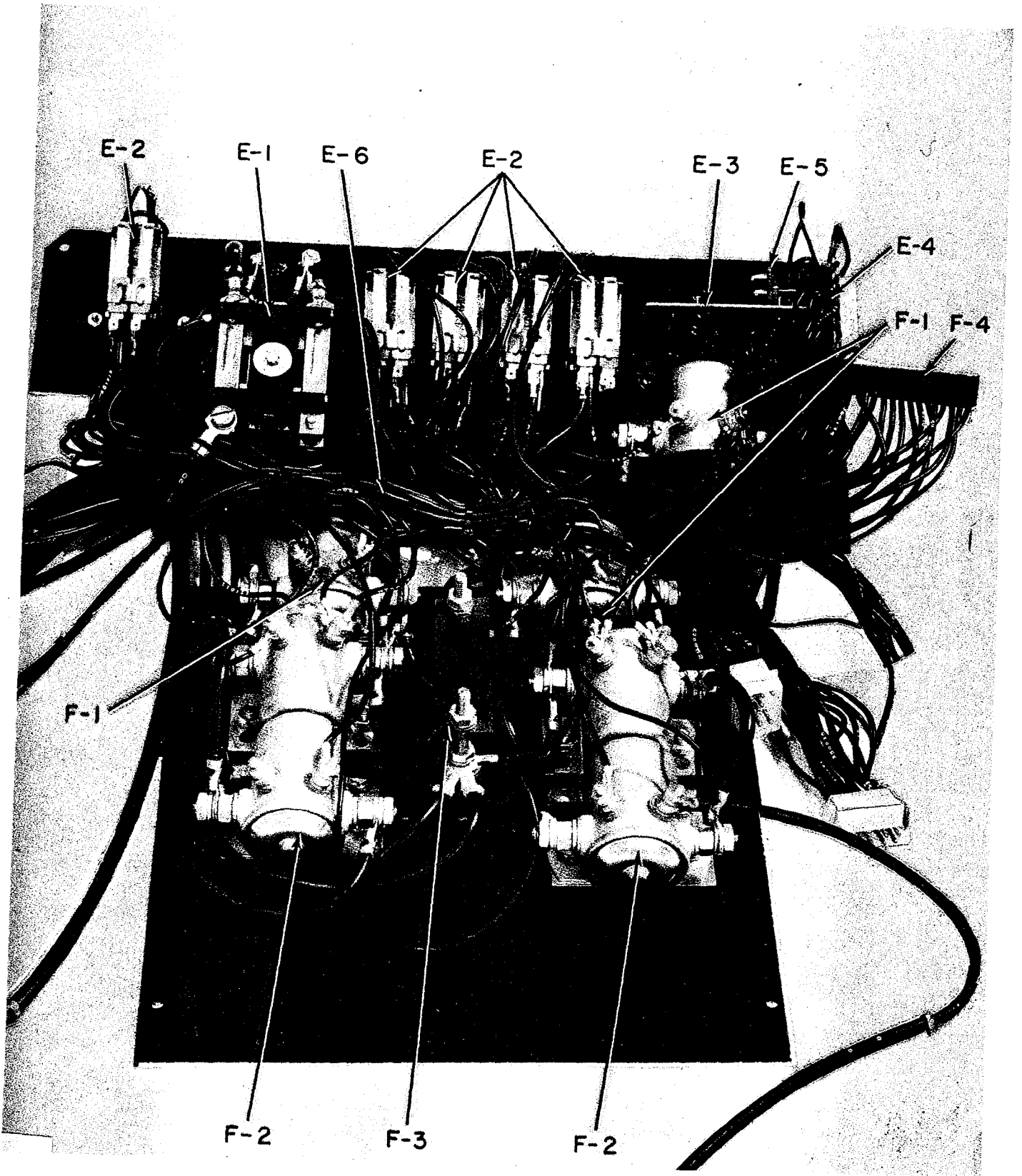


Fig. E20-4

ELECTRICAL COMPONENTS

(UPPER CONTROL PANEL)

<u>REF. NO.</u>	<u>PART NO.</u>	<u>DESCRIPTION</u>
E-1	243A4524P1	P.T.O. CONTACTOR
E-2	243A4562P1	RELAY
E-3*	178B8107G1	CARD #4 (E-20CA)
E-3*	163B9977G1	CARD #4 (E-20 AA & BA)
E-4	211A3162G2	CARD #3
E-5	243A4940G1	DIODE AND RESISTOR ASSEMBLY
E-6#	127D8006G1	CONTROL PANEL HARNESS
E-6#	127D8008G1	CONTROL PANEL HARNESS

(LOWER CONTROL PANEL)

<u>REF. NO.</u>	<u>PART NO.</u>	<u>DESCRIPTION</u>
F-1	211A3567P1	CONTACTOR
F-2	178B8009P1	DOUBLE CONTACTOR
F-3	211A3213P3	CURRENT SENSING SHUNT
F-4	178B8013P3	EDGE CONNECTOR

#IT IS IMPERATIVE THAT WHEN ORDERING THIS PART YOU SPECIFY THE MODEL NUMBER AND SERIAL NUMBER OF THE TRACTOR TO INSURE YOUR RECEIVING THE PROPER PART.

*TO FACILITATE MANUFACTURING, THE DIODE AND RESISTOR ASSEMBLY WAS INCORPORATED IN THE CARD #4 WHICH CAUSED OTHER ELECTRICAL CHANGES THEREFORE WHEN ORDERING THIS PART IT IS IMPERATIVE YOU INCLUDE THE MODEL NUMBER AND SERIAL NUMBER TO INSURE YOUR RECEIVING THE PROPER PART.

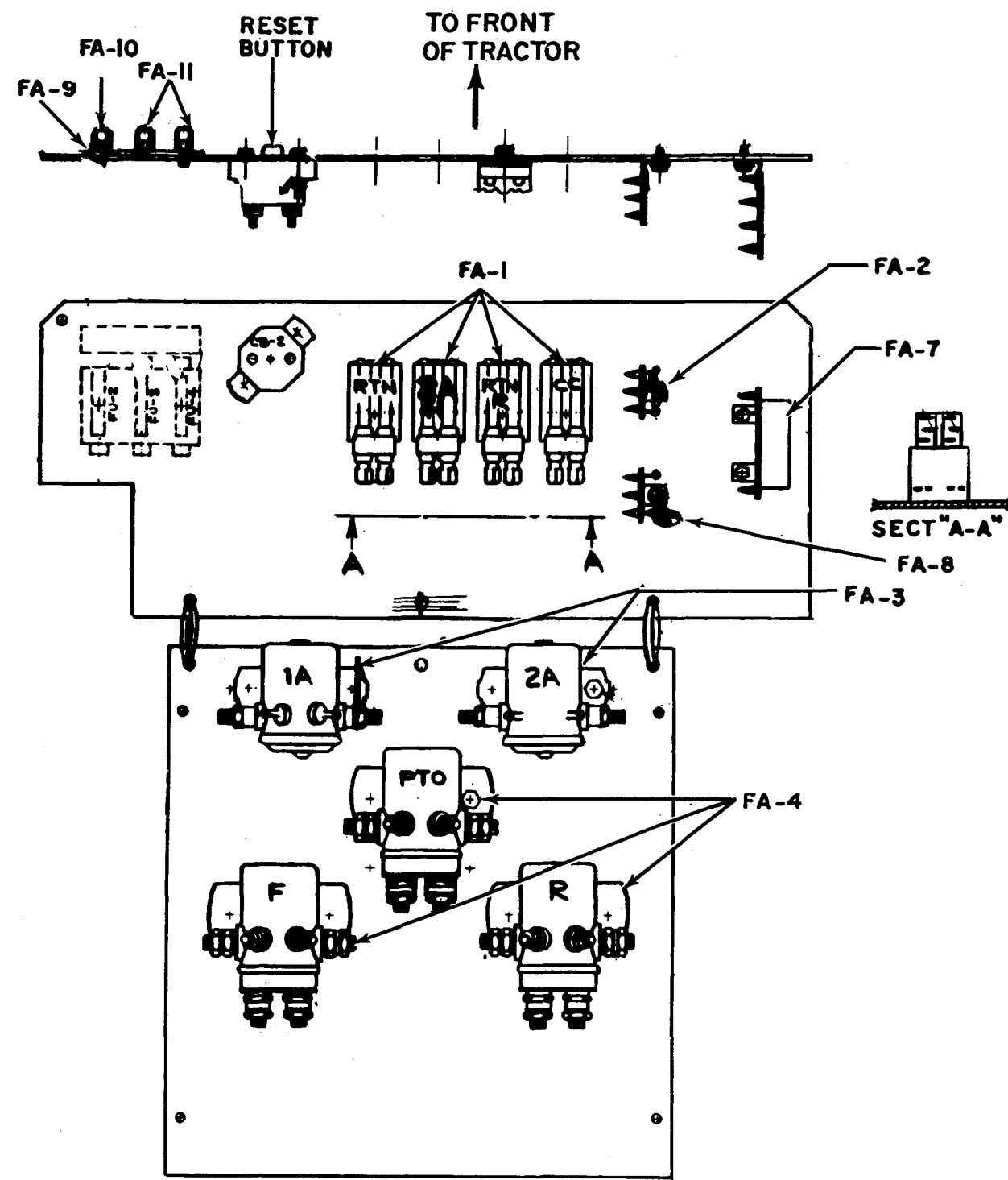


Fig. E20-5

ELECTRICAL COMPONENTS

<u>Ref. No.</u>	<u>Part No.</u>	<u>Description</u>
FA-1	243A4562P1	Relay
FA-2	178B8457G1	Diode and Varistor Asm.
FA-3	211A3567P1	Contactor (1A, 2A)
FA-4	178B8385P1	Contactor (P.T.O., F. R)
FA-5	127D8112G1	Control Panel Harness (Now Shown)
FA-6	127D8113G1	Control Panel Adder Harness (Not Shown)
FA-7	178B8459G1	Field Resistor Asm.
FA-8	178B8458G1	Diode Asm.
FA-9	244A7463P1	Fuse Block
FA-10	243A4597P1	Fuse 30 Amp
FA-11	243A4657P1	Fuse 20 Amp
FA-12	243A4719P1	Circuit Breaker

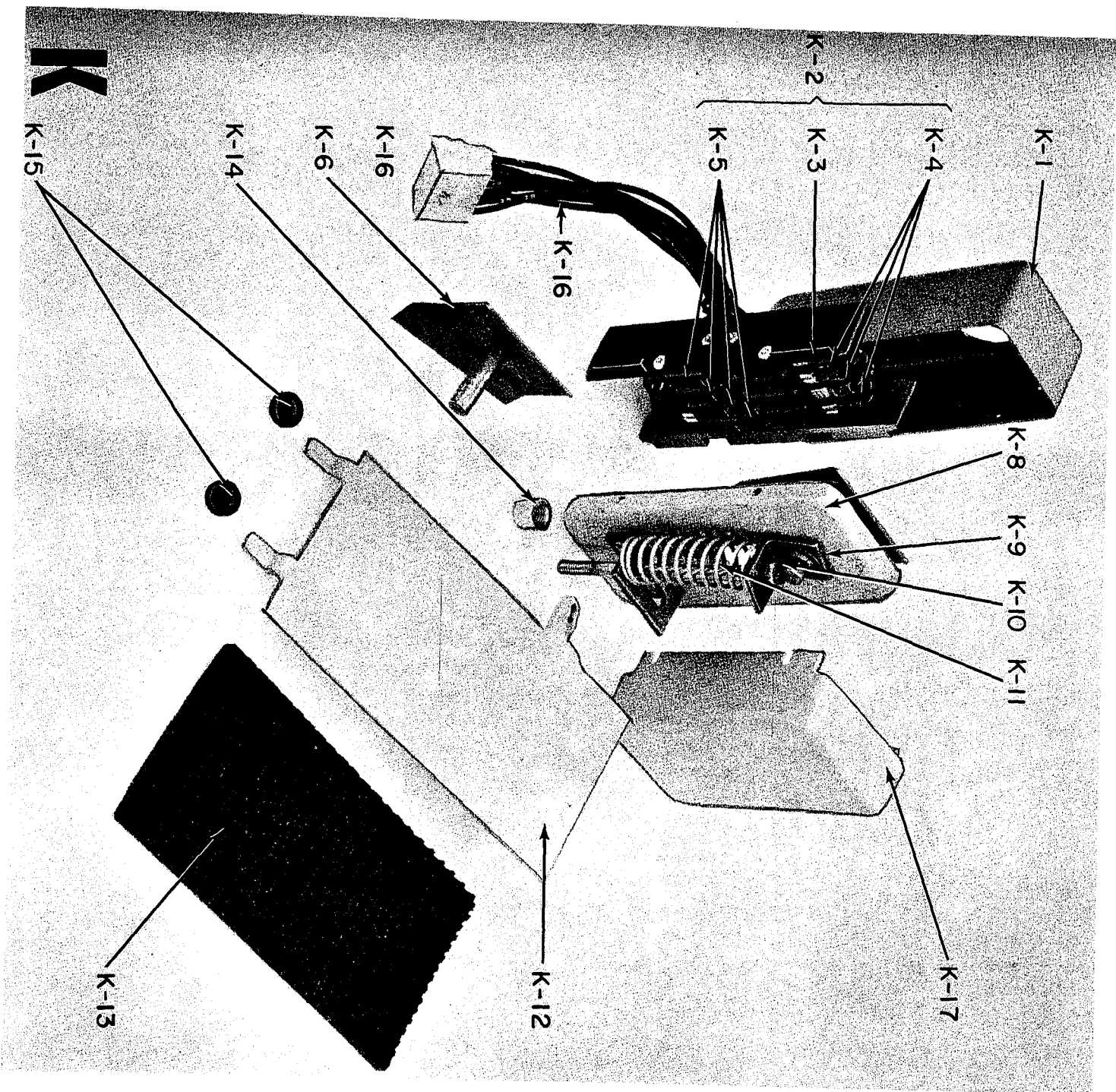


Fig. E20-6

SPEED CONTROL

<u>REF. NO.</u>	<u>PART NO.</u>	<u>DESCRIPTION</u>
K-1	163B9997P1	THROTTLE BOX
K-2	178B8250G1	RAIL AND SWITCH ASSEMBLY (LESS HARNESS)
K-3	211A3198P1	START SWITCH, 3 TABS, N.O., N.C., AND COMMON
K-4	211A3198P2	1A 2A 3A SWITCH, 2 TABS, N.O. AND COMMON
K-5	211A3198P3	FW 1-4 2 TABS, N.C. AND COMMON
K-6	243A4796G1	THROTTLE CAM
K-7	211A3577P3	SPRING (NOT PICTURED)
K-8	178B8249G1	COVER AND BRACKET ASSY.
K-9	243A4554P1	PUSH NUT
K-10	N22P21072B6	SCREW (1/4-20 X 4 1/2)
K-11	211A3577P12	SPRING
K-12	178B8001P1	THROTTLE PEDAL
K-13	243A4825P1	THROTTLE PEDAL PAD
K-14	N264P21B6	LOCK NUT (1/4-20)
K-15	211A3589P2	GROMMET, PEDAL
K-16	178B8097G1	HARNESS, THROTTLE
K-17	163B9999P1	COVER

TABLE OF CONTENTS

<u>FIGURE</u>	<u>TITLE</u>
E15-1	Body Components
E15-2	Dash Components
E15-3	Dash Components, E15HA
E15-4	Electrical Components (Upper Control Panel)
E15-5	Electrical Components (Lower Control Panel)
E15-6	Electrical Components, E15HA
E15-7	Speed Controls

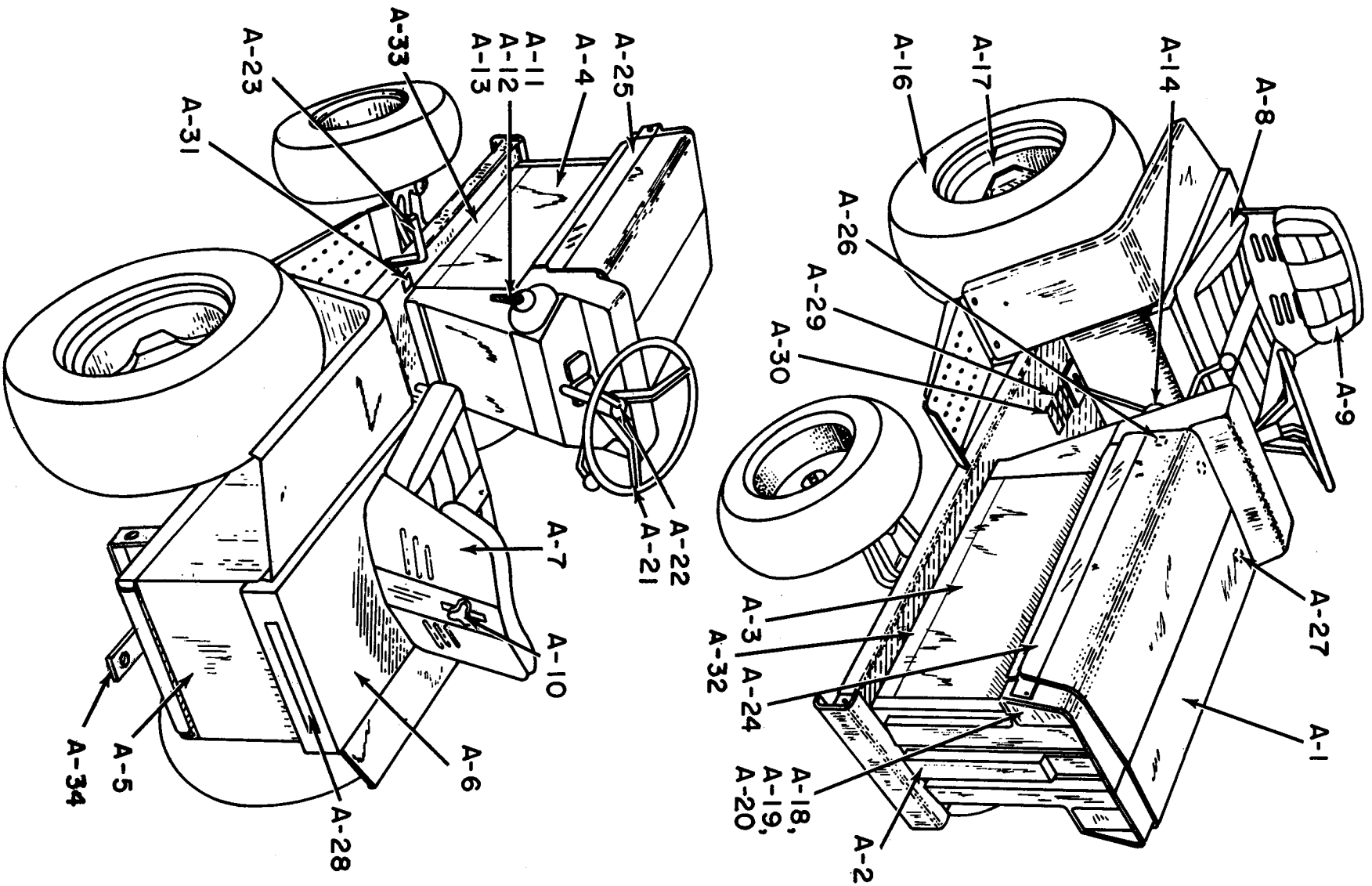


Fig. E15-1

BODY COMPONENTS

<u>Ref. No.</u>	<u>Part No.</u>	<u>Description</u>
A-1	158C9050G1	Hood Assembly
A-2	423D214P2	Front Grill
A-3	422D837P1	Side Body Panel, Right
A-4	422D838P1	Side Body Panel, Left
A-5	423D221G1	Rear Battery Box Assy. (Includes Fenders)
A-6	541C937G8	Rear Battery Box Cover (Less Seat)
A-7#	243A4799P1	Seat Pan (Adjustable Back)
A-7#	243A4770P1	Seat Pan (Non-Adjustable Back)
A-8	178B8030P1	Cushion, Bottom
A-9#	243A4800P1	Cushion, Rear (Adjustable)
A-9#	243A4852P1	Cushion, Rear (Non-Adjustable)
A-10	243A4801P1	Rear Seat Knob (Not Required with A-9 Non-Adjustable Rear Cushion)
A-11	178B8137G1	Power Disconnect
A-12	211A3448P1	Fusible Link (Located on Power Disconnect)
A-13	243A4502P1	Power Disconnect Knob
A-14	211A3249P1	Gearshift Knob
A-15*	541C951P1	Front Tire (16 x 4.80/4.00-8) & Rim
A-15*	163B9707G1	Front Tire (16 x 6.50-8) & Rim
A-16	541C658G2	Rear Tire (23 x 9.50-12) & Rim
A-17	243A4589P1	Wheel Lug
A-18	211A3413P1	Headlight Lens
A-19	163B9936G1	Reflector & Light Assembly
A-20	211A3592P1	Lamp (GE 1076)
A-21+	163B9843P1	Steering Wheel
A-22	243A4853G1	Cap & Monogram Assy. (Used with Steering Wheel Above)
A-21A+	423D255P1	Steering Wheel
A-22A	243A4828G1	Cap & Monogram Assy. (Used with Above)
A-23		Brake Pedal Assembly (See Section N)
A-24	127D8093P3	Hood Decal, Right Hand
A-25	127D8093P4	Hood Decal, Left Hand
A-26	243A4639P1	Hood Rubber Bumper (Mounted on Both Sides)
A-27	243A4639P2	Hood Rubber Bumper (Mounted on Top)
A-28	211A3250P1	Rear Tail Reflector
A-29	243A4869P1	Decal, "To Facilitate Shifting"
A-30	243A4794P1	Decal, "Shift to Lower Gear"
A-31	211A3247P1	Decal, "Parking Brake"
A-32	127D8095P3	Elec-Trak Insignia RH
A-33	127D8095P4	Elec-Trak Insignia LH
A-34	163B9919P1	Convenience Hitch

*This model tractor has come equipped with both these size tires to insure consistency, care should be taken, when ordering, to specify tire size as well as Part No.

#Both adjustable and non-adjustable rear cushions have been utilized on this model tractor. Please take care to note which one you have when ordering replacement parts.

+This model tractor is equipped with both 12 7/8 dia. steering wheel (A-21) and 14 7/8 dia. steering wheel (A-21A). Please take care to note which one you have when ordering replacement parts.

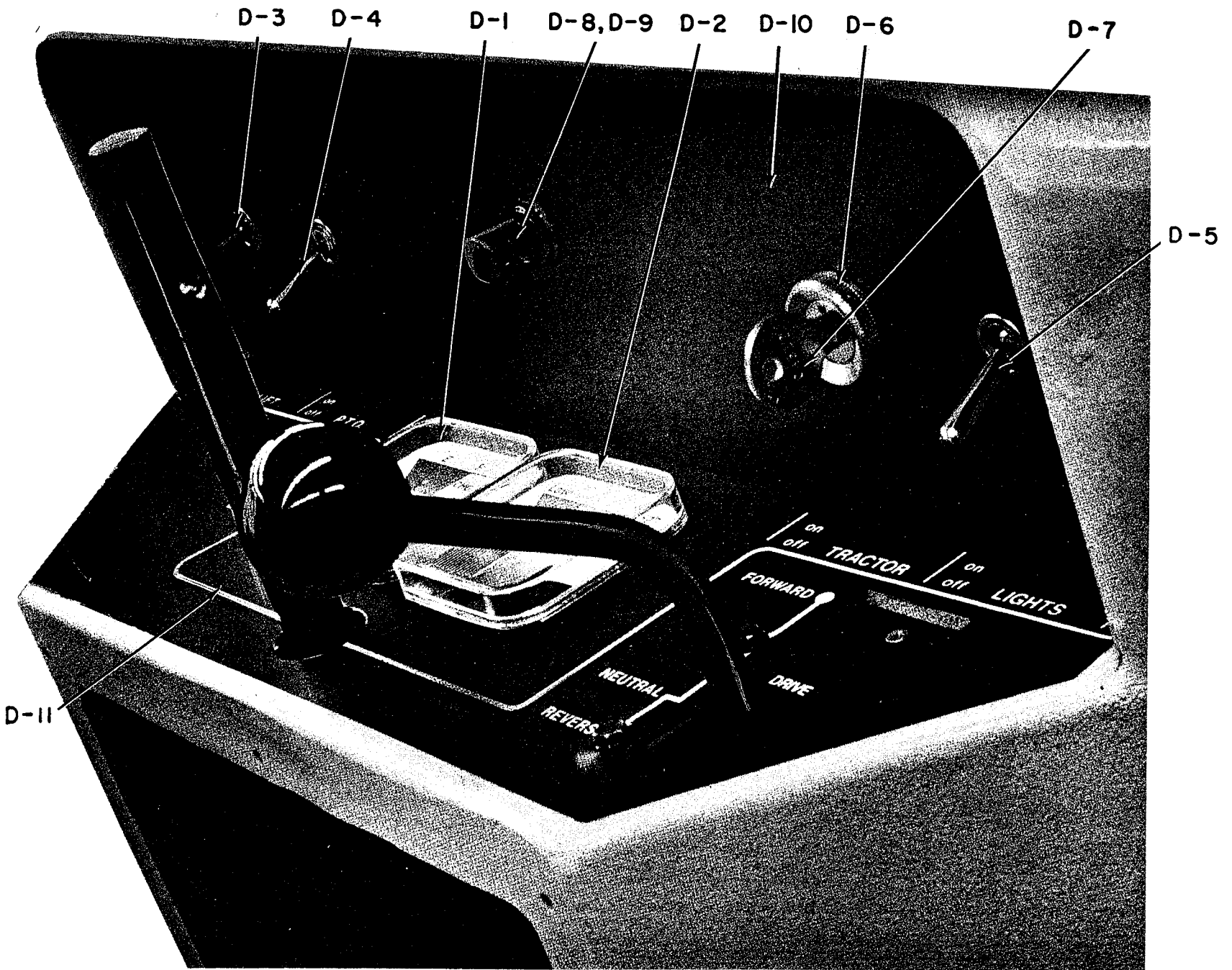
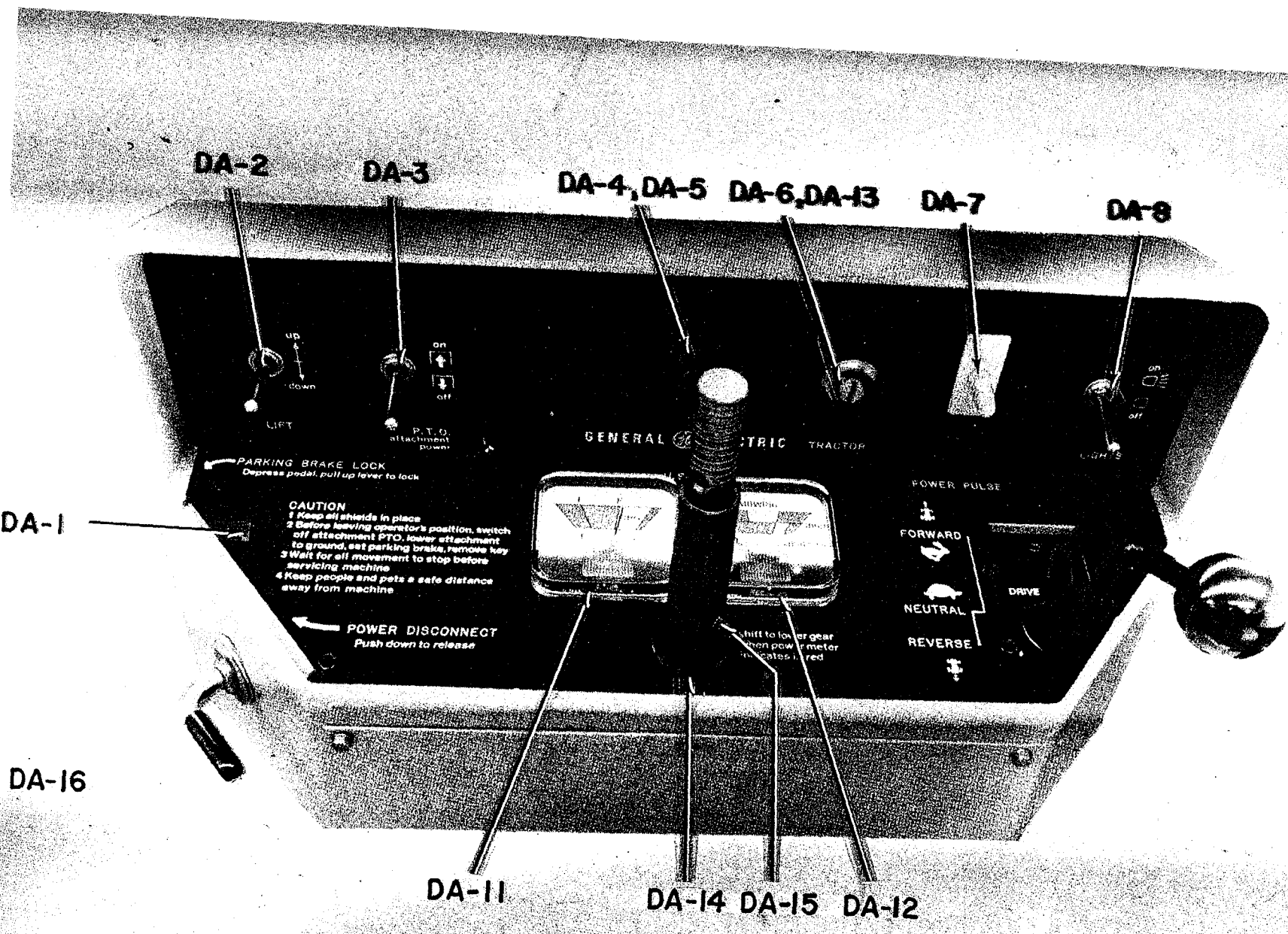


Fig. E15-2

DASH COMPONENTS

<u>REF. NO.</u>	<u>PART NO.</u>	<u>DESCRIPTION</u>
D-1	243A4629G1	FUEL LEVEL GAUGE
D-2	243A4630G4	POWER USE GAUGE
D-3	243A4531P2	LIFT SWITCH
D-4	243A4531P1	P.T.O. SWITCH
D-5	243A4531P3	LIGHT SWITCH
D-6	243A4573P1	KEY SWITCH
D-7	211A3597P1	KEY
D-8	243A4574P1	LIGHT, DASH
D-9	211A3591P1	LAMP (GE 1815)
D-10	163B9821P1	DASH PANEL
D-11	541C681P1	DECAL, DASH
D-12*	541C920G1	DASH HARNESS (E-15AA)
D-13*	541C955G1	DASH HARNESS (E15BA, CA, CB, DA & EA)
D-14	211A3551P1	TUBING (NOT PICTURED—INSULATION ON SWITCH TERMINALS)

*IT IS IMPERATIVE THAT WHEN ORDERING THIS PART, THE MODEL NUMBER AND SERIAL NUMBER OF THE TRACTOR MUST BE STATED TO INSURE YOUR RECEIVING THE PROPER PART.



DA-2

DA-3

DA-4, DA-5 DA-6, DA-13

DA-7

DA-8

DA-1

CAUTION
 1 Keep all shields in place
 2 Before leaving operator's position, switch off attachment P.T.O., lower attachment to ground, set parking brake, remove key
 3 Wait for all movement to stop before servicing machine
 4 Keep people and pets a safe distance away from machine

POWER DISCONNECT
 Push down to release

GENERAL ELECTRIC TRACTOR

POWER PULSE

FORWARD

NEUTRAL

REVERSE

DRIVE

Shift to low or gear when power meter indicates red

DA-16

DA-11

DA-14 DA-15 DA-12

Fig. E15-3

DASH COMPONENTS

<u>Ref. No.</u>	<u>Part No.</u>	<u>Description</u>
DA-1	127D8106P1	Dash Panel
DA-2	243A4531P2	Lift Switch
DA-3	244A7229P1	P. T. O. Switch
DA-4	243A4574P1	Light, Dash
DA-5	211A3591P1	Lamp
DA-6	244A7308P1	Key Switch
DA-7	247A7455P1	Power Pulse Switch
DA-8	243A4531P3	Light Switch
DA-9	158C9052G1	Dash Harness
DA-10	211A3551P1	Tubing (Not Pictured - Insulation on Switch Terminal)
DA-11	243A4629G1	Fuel Level Gage
DA-12	243A4630G4	Power Use Gage
DA-13	247A7354P1	Key
DA-14	243A4576P3	Washer
DA-15	243A4809P2	Sleeve
DA-16	178B8137G1	Power Disconnect

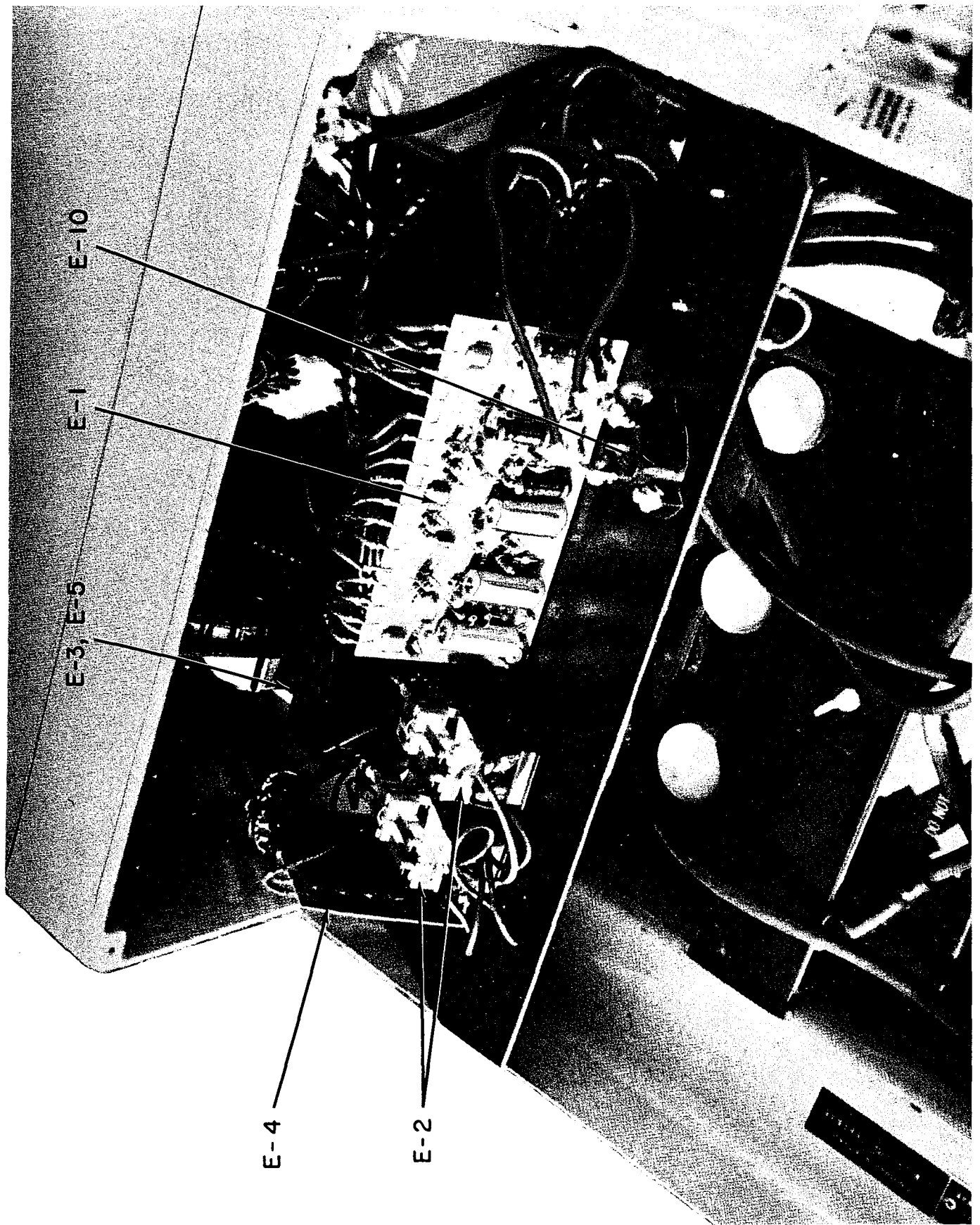


Fig. E15-4

ELECTRICAL COMPONENTS

(Upper Control Panel)

<u>Ref. No.</u>	<u>Part No.</u>	<u>Description</u>
E-1	163B9814G1	Card #1
E-2	243A4562P1	Relay
E-3*	423D216G1	Control Panel Harness (E-15AA)
E-3*	423D245G1	Control Panel Harness (E-15CA, DA)
E-3*	423D236G1	Control Panel Harness (E-15BA)
E-4	211A3162G1	Card #3
E-5*	127D8012G1	Control Panel Harness (E-15EA)
E-5*	127D8073G1	Control Panel Harness (E-15GA)
E-6*	243A4591P1	Fuse Board (See Section B)
E-6*	243A4807P1	Fuse Board (See Section B)
E-7	211A3528P1	Fuse Decal (See Section B)
E-8	243A4657P1	Fuse-20 Amp, FU3, FU4 (See Section B)
E-9	243A4597P1	Fuse-30 Amp, Slo Blo, FU2 (See Section B)
E-10	243A4719P1	Circuit Breaker (Manual Reset)

*When ordering this item it is imperative that care be taken to specify the model number and serial number of the tractor.

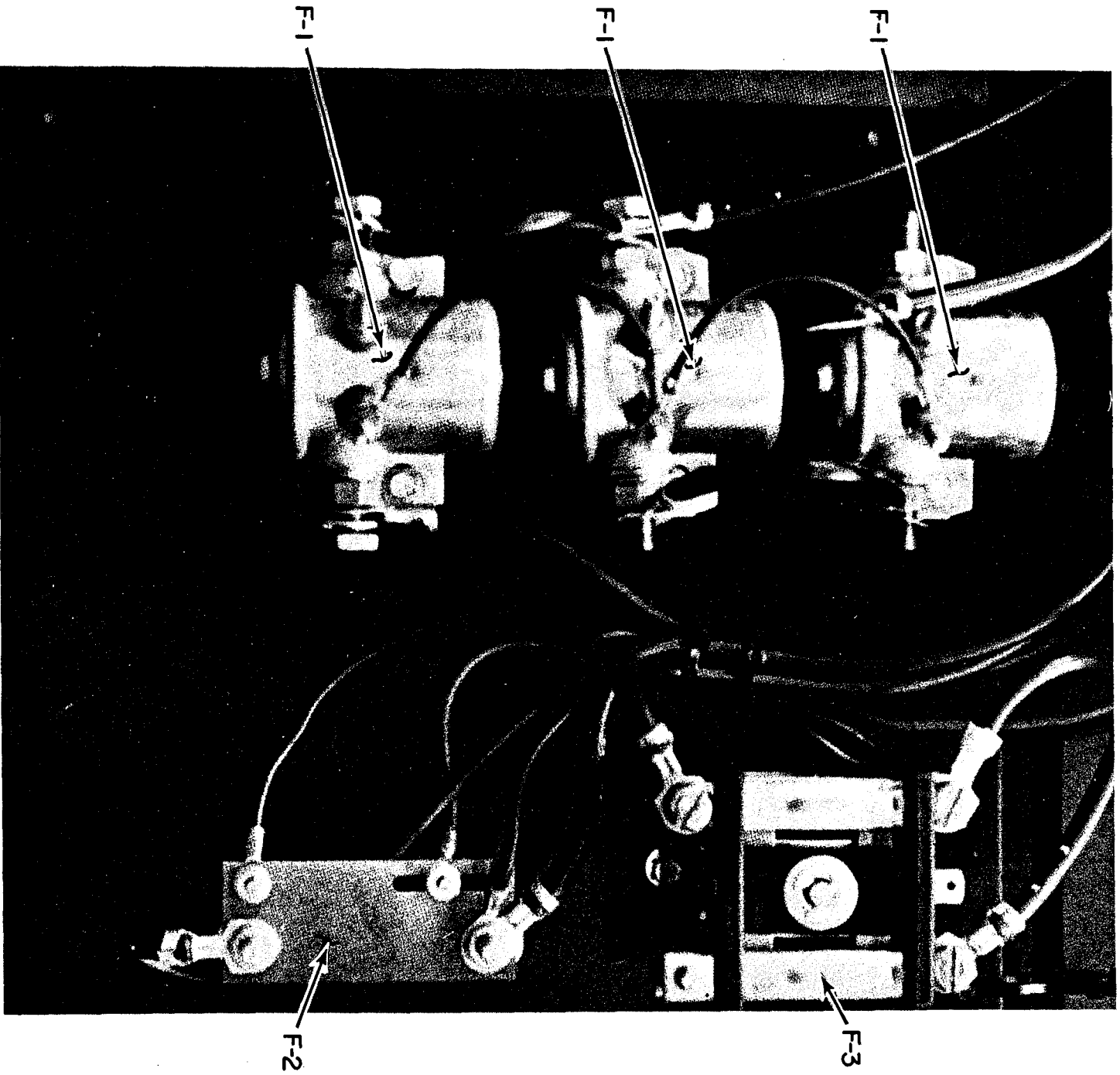


Fig. E15-5

ELECTRICAL COMPONENTS

(LOWER CONTROL PANEL)

<u>REF. NO.</u>	<u>PART NO.</u>	<u>DESCRIPTION</u>
F-1	211A3567P1	CONTACTOR
F-2	211A3164G1	METER SHUNT ASSEMBLY
F-3	243A4524P1	P.T.O. CONTACTOR

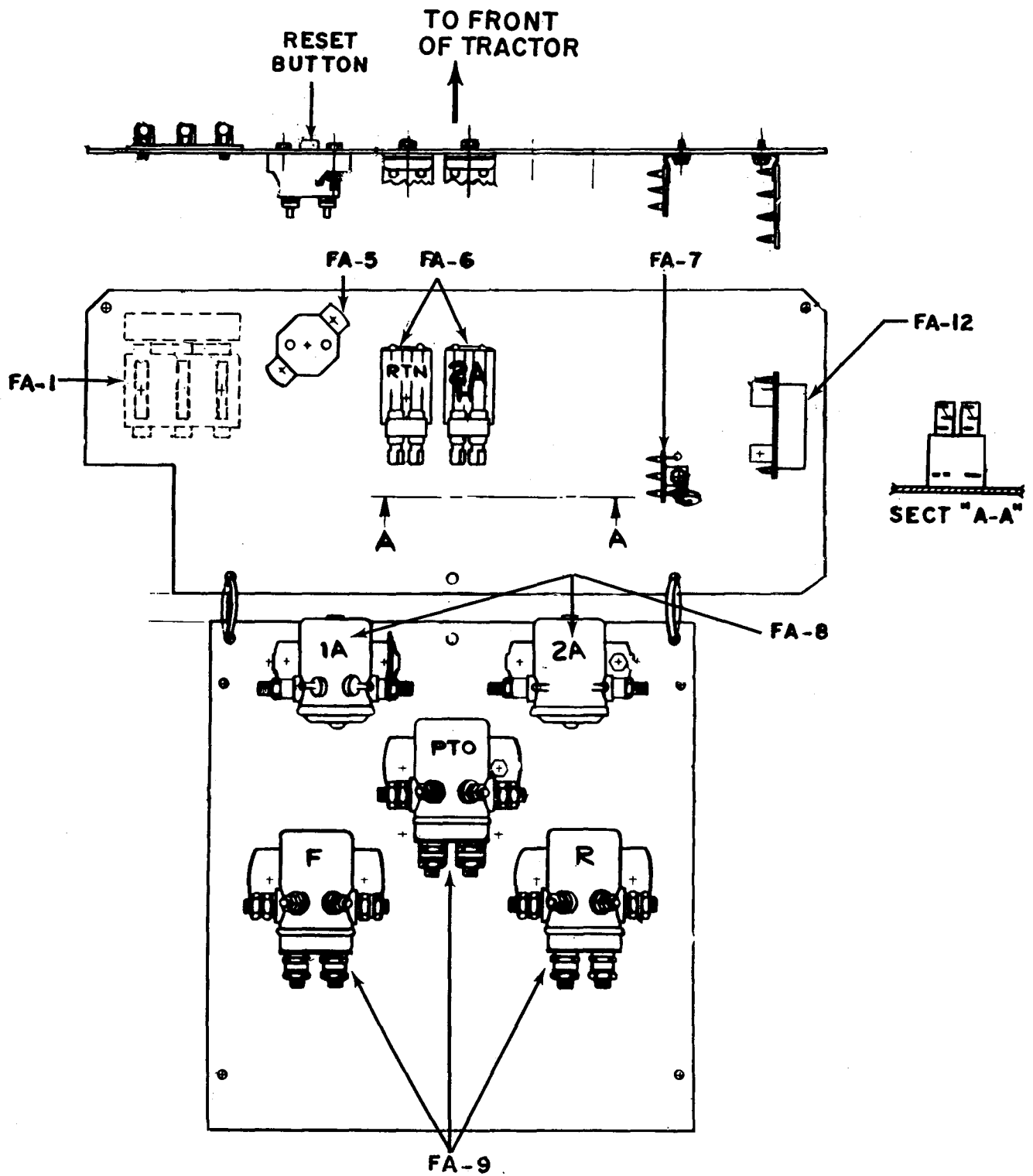


Fig. E15-6

ELECTRICAL COMPONENTS

<u>Ref. No.</u>	<u>Part No.</u>	<u>Description</u>
FA-1	244A7463P1	Fuse Block
FA-2	243A4597P1	Fuse 30 Amp Slo Blo, FU2
FA-3	243A4657P1	Fuse 20 Amp, FU3, FU4
FA-5	243A4719P1	Circuit Breaker (Manual Reset)
FA-6	243A4562P1	Relay (Rtn, 2AH)
FA-7	178B8457G1	Diode and Varistor Asm.
FA-8	211A3567P1	Contactactor (1A, 2A)
FA-9	178B8385P1	Contactactor (P. T. O., F. R)
FA-10	127D8112G1	Control Panel Harness (Not Shown)
FA-11	158C9064G1	Control Panel Adder Harness (Not Shown)
FA-12	178B8459G1	Field Resistor Asm.

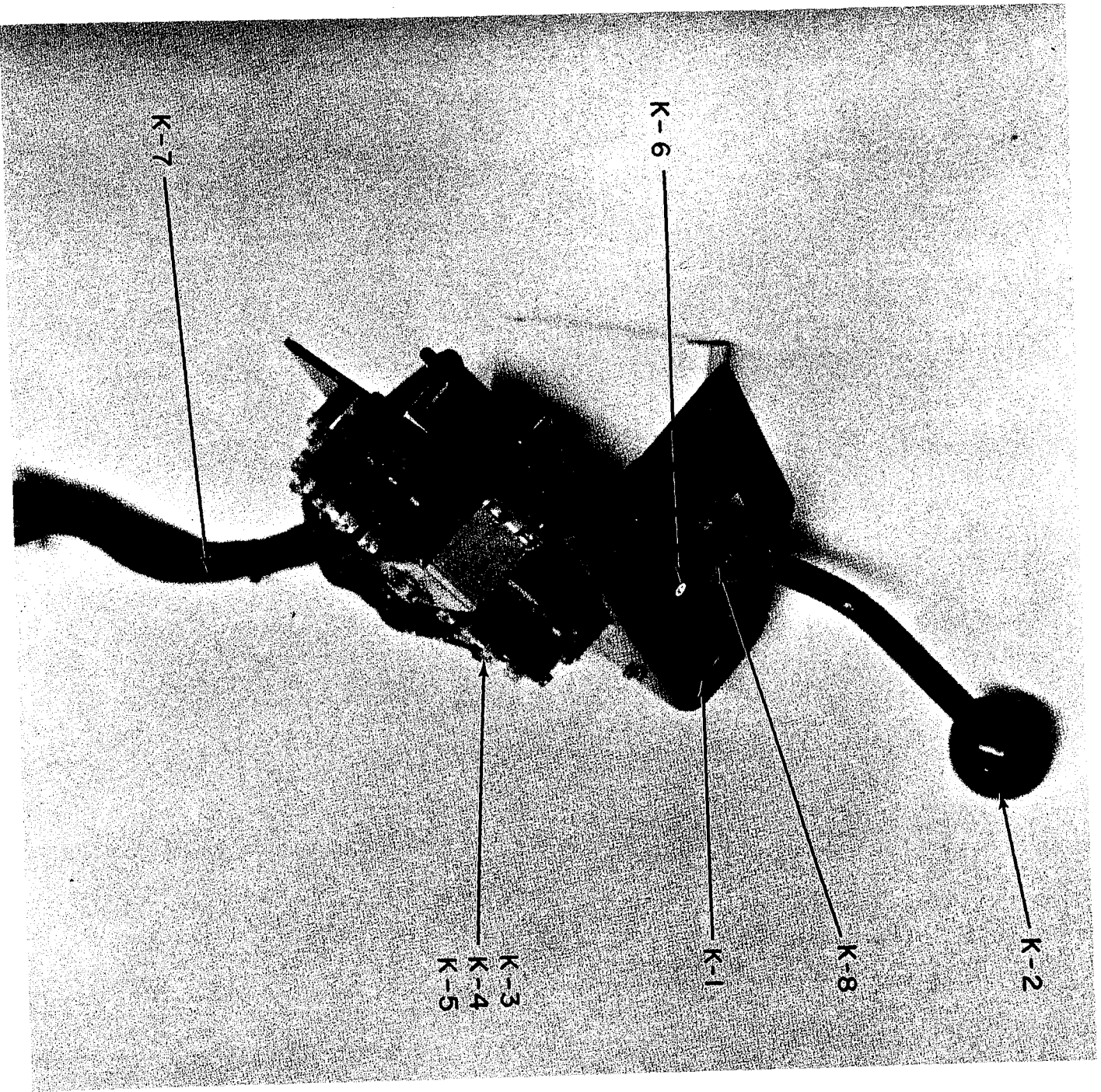
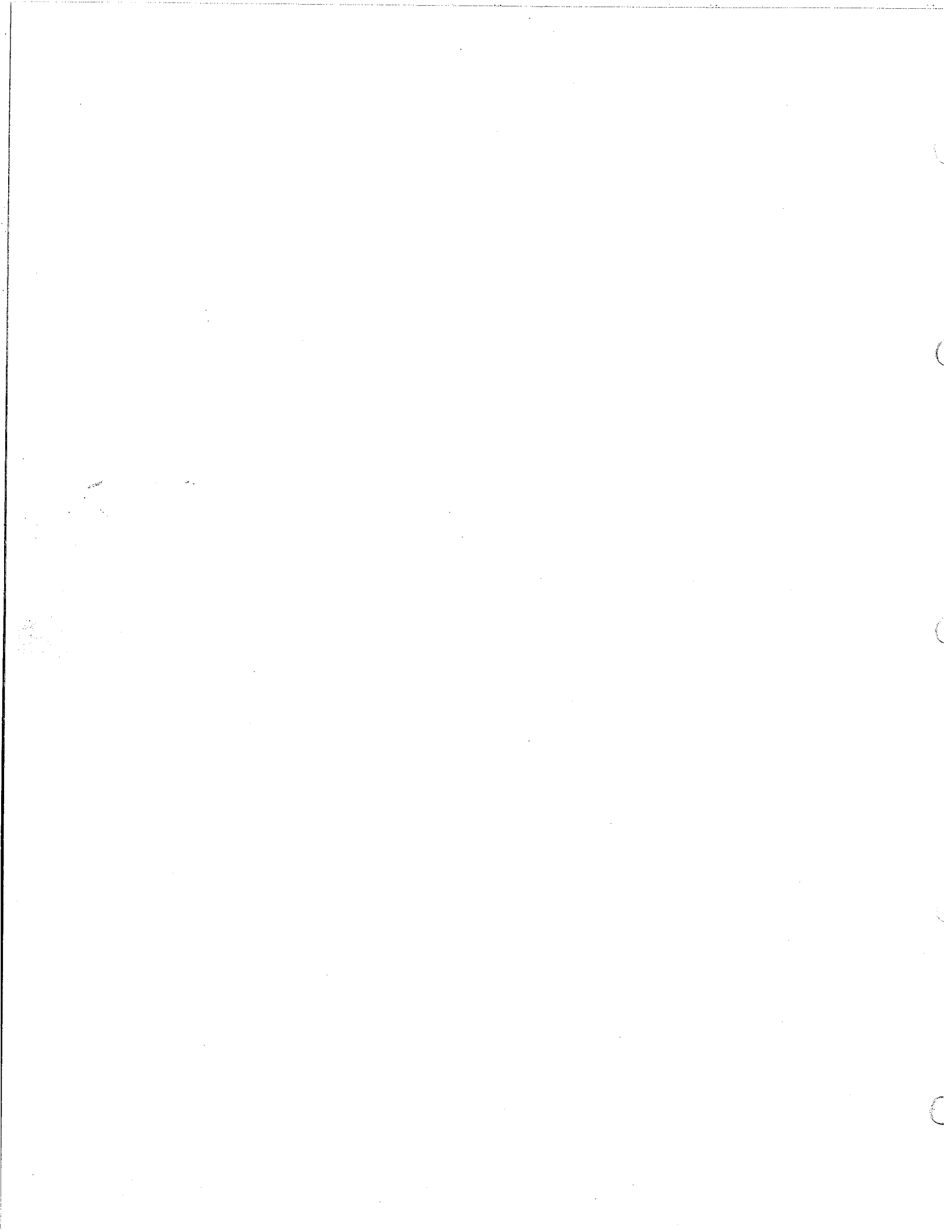


FIG. E15-7

SPEED CONTROL

<u>Ref. No.</u>	<u>Part No.</u>	<u>Description</u>
K-1*	423D213G1	Speed Control (E15AA & CA, CB, DA, EA, FA, & GA)
K-1*	423D213G2	Speed Control (E15BA)
K-1*	423D213G5	Speed Control (E15HA)
K-2	211A3249P1	Speed Control Knob
K-3	211A3198P1	Start Switch, 3 Tabs, N.O. N.C. and Common
K-4	211A3198P2	1A, 2A Switch, 2 Tabs, N.O. and Common
K-5	211A3198P3	FW, 1-4, 2 Tabs, N.C. and Common
K-6	211A3558P1	Reverse Switch
K-7*	541C919G1	Throttle Harness (E15AA, CA, CB, DA, EA, FA & GA)
K-7*	541C957G1	Throttle Harness (E15BA)
K-7*	158C9051G1	Throttle Harness (E15HA)
K-8	211A3449P1	Decal - Drive

*It is imperative when ordering a speed control or parts, that you specify the model number and serial number of the tractor to insure your receiving the proper part.



E8M - E10M ROTARY MOWER - MID MOUNT

<u>Ref. No.</u>	<u>Part No.</u>	<u>Description</u>
MT-1	155C8086P1	Mower Motor
MT-2	244A7073G1	Rod Assembly
MT-3	247A7351G1	Wiring Harness
MT-4	243A4543P1	Hair Pin Cotter
MT-5	178B8175P1	Mower Blade (30 ^o) High Discharge
	178B8175P2	Mower Blade (15 ^o) Low Discharge
MT-5	178B8497P1	Mower Blade (30 ^o) High Discharge EA, FA, GA
	178B8497P2	Mower Blade (15 ^o) Low Discharge Model EA, FA, GA
MT-6	163B9932G2	Clutch Asm.
MT-7	243A4577P2	Clutch Body
MT-8	243A4576P1	Washer, Fibre
MT-9	243A4578P1	Clutch Washer
MT-10	211A3564P3	Screw, Self Locking Cap
MT-11	244A7145P1	Wheel
MT-12	N22P25044B6	Bolt, Hex
MT-13	N210P25B6	Nut
MT-14	N402AP43B6	Washer
MT-15	N405P13C6	Lockwasher
MT-16	211A3512P1	Caution Decal
MT-17	244A7325P1	Caution Decal
MT-18	N402AP43B6	Washer
MT-19	587E960G1	Housing Ass.
MT-20	247A7400P1	Clamp
MT-21	247A7399P1	Mower Motor Brake Model EA, FA, GA
MT-22	158C9045P1	Baffle Model EA, FA, GA
MT-23	247A7595G1	Foot Guard Asm. Model EA, FA, GA
MT-24	211A3589P1	Grommet
MT-25	247A7552P1	Insert Model EA, FA, GA
MT-26	211A3530P2	Circuit Breaker
MT-27	244A7203P1	Screw
MT-28	243A4600P1	Pin Housing
MT-29	243A4596P1	Socket Housing (Located on Tractor Cable Harness)

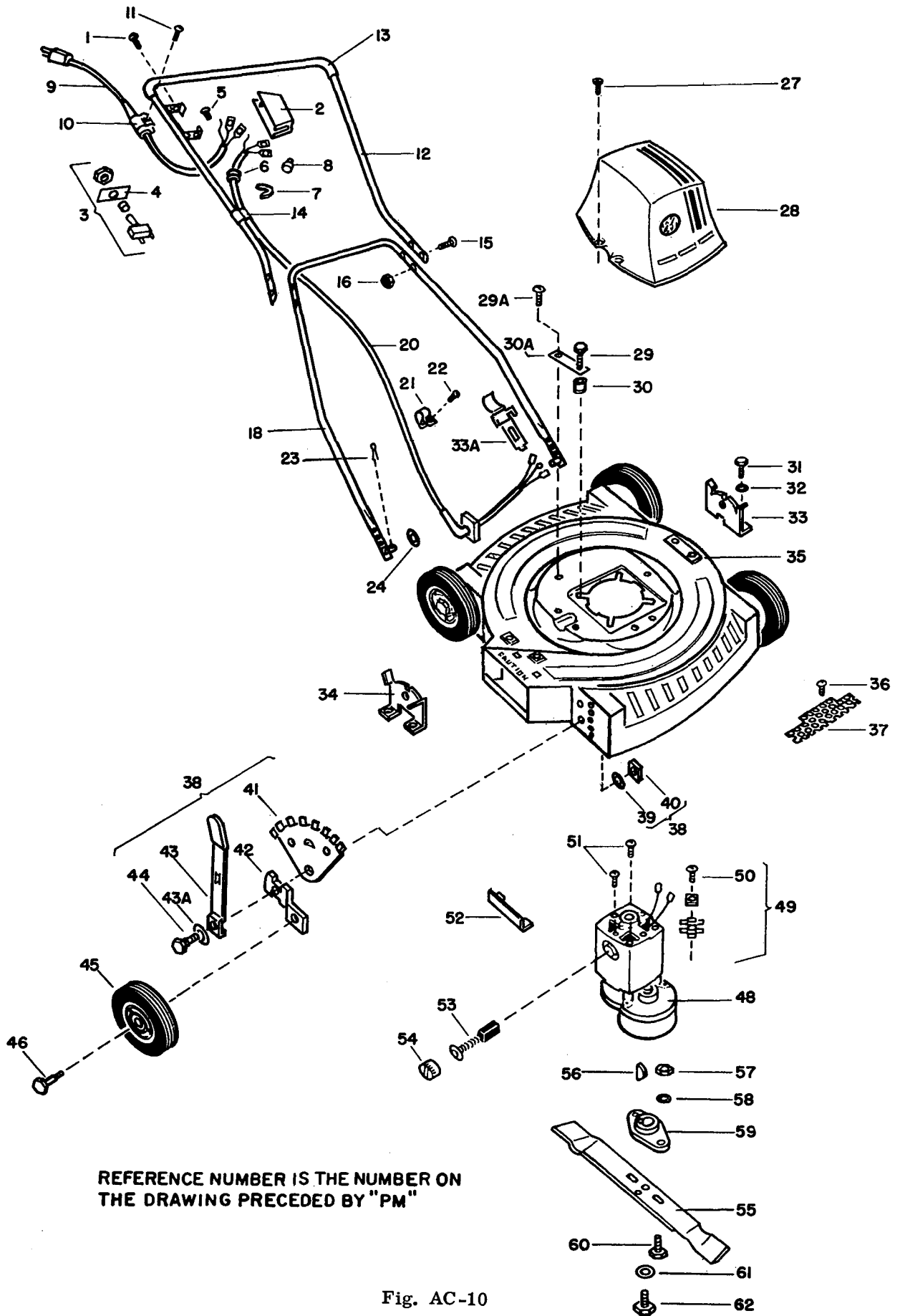


Fig. AC-10

ELEC-TRAK LAWNMOWER - WALK BEHIND

Model PM32B

<u>Ref. No.</u>	<u>Part No.</u>	<u>Description</u>
PM-1	XX2014	Screw (Holds Key 2)
PM-2	XL8419	Switch Housing
PM-3	XL8070	Switch (Less Key 4)
PM-4	XL8083	Escutcheon (For Switch)
PM-5	XX2026	Terminal Screw
PM-6	XX778	Grommet
PM-7	XL8073	Strain Relief
PM-8	XX730	Wire Connector
PM-9	XL8234	Cord Set & Plug
PM-10	XL8063	Clip (Holds 9 to 12)
PM-11	XX2056	Screw (Holds 10 to 12)
PM-12	XL8239	Handle Tube & Sleeve
PM-13	XL8101	Sleeve
PM-14	XL8015	Clip (Holds Key 20 to 12)
PM-15	XL8074	Bolt
PM-16	XX3027	Nut
PM-18	XL8240	Handle Tube (Lower)
PM-20	XL8233	Cord Set (From Switch to Motor)
PM-21	XX782	Cord Clamp
PM-22	XX1005	Screw
PM-23	XX772	Cotter Pin
PM-24	XX5050	Washer
PM-27	XX2006	Screw
PM-28	XL8225	Motor Cover
PM-29	XL8026	Bolt
PM-30	XL8016	Grommet & Washer
PM-31	XX1131	Bolt
PM-32	XX5053	Lockwasher
PM-33	XL8191	Handle Bracket
PM-33A	XL8218	Latch
PM-34	XL8213	Handle Bracket (Chute Side)
PM-35	XL8228	Base Assembly
PM-36	XX2016	Screw
PM-37	XL8146	Screen
PM-38	XL8189	Wheel Height Adjuster (Reversible)
PM-39	XX5080	Lockwasher
PM-40	XX5076	Nut
PM-41	XL8209	Bracket
PM-42	XL8241	Lever
PM-43	XL8211	Wheel Handle
PM-43A	XX5081	Washer
PM-44	XL8242	Shoulder Bolt
PM-45	XL8221	Wheel
PM-46	XL8243	Wheel Bolt
PM-48	XL9000B	Drive Unit (Sold on Exchange Basis Only)
PM-49	XL8010	Terminal Board Kit
PM-50	XX1005	Screw
PM-51	XX1005	Screw
PM-52	XL8103	Baffle
PM-53	XL8031	Carbon Brush & Spring
PM-54	XL8032	Brush Cap
PM-55	XL8138	Blade
PM-56	XL8028	Drive Key
PM-57	XX3038	Adapter Nut
PM-58	XX5064	Lockwasher
PM-59	XL8144	Blade Adapter
PM-60	XX1130	Adapter Bolt
PM-61	XX5068	Lockwasher
PM-62	XL8011	Center Bolt

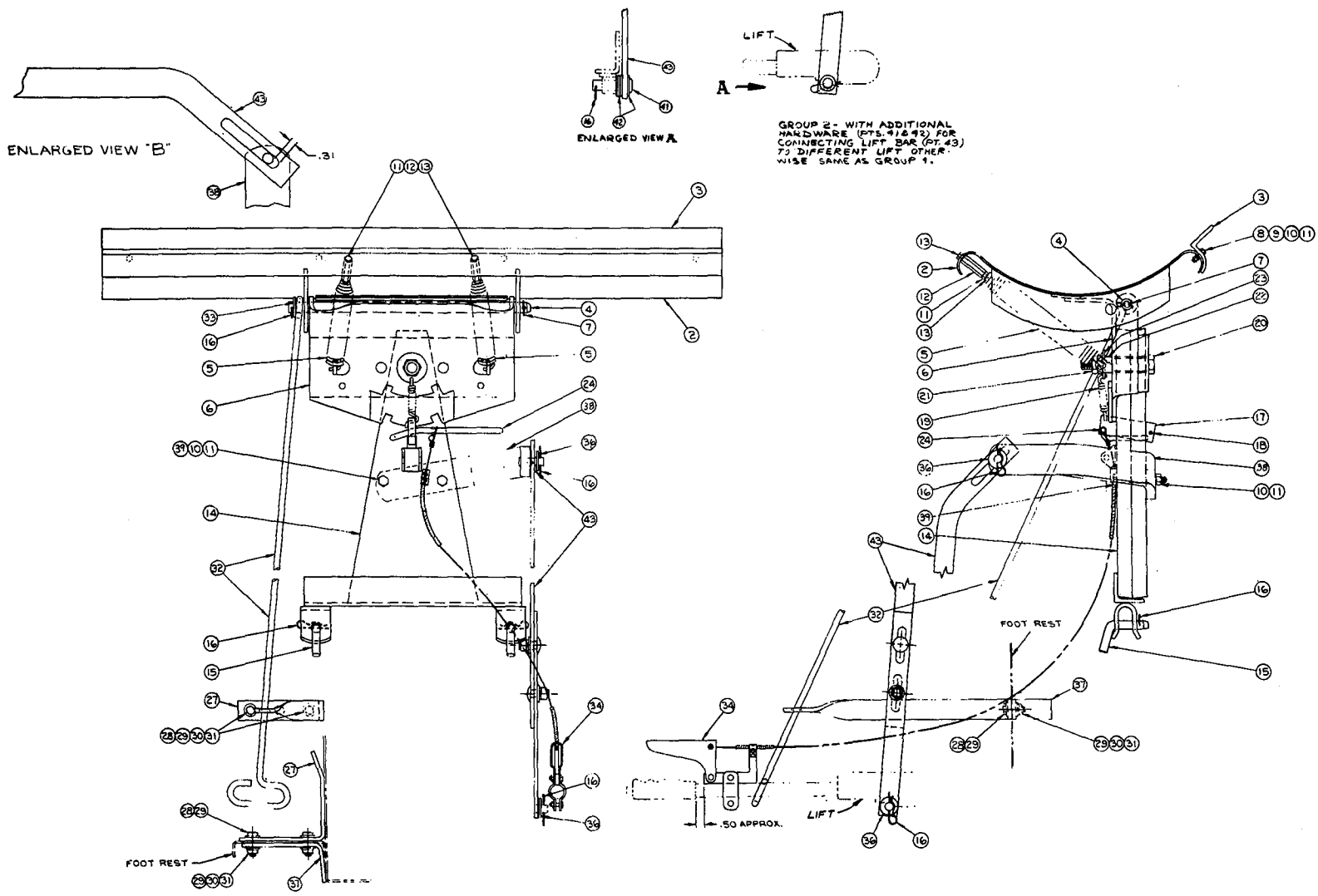


Fig. AC-11

42" SNOW/DOZER BLADE

<u>Ref. No.</u>	<u>Part No.</u>	<u>Description</u>
AB-2	243A4890G2	Blade Asm.
AB-3	178B8059P2	Wear Bar
AB-4	243A4891P2	Pivot Rod
AB-5	243A4892P1	Spring, Blade Trip
AB-6	243A4893G1	Pivot Plate Asm.
AB-7	N503P1520B6	Cotter Pin
AB-8	N62P25016B6	Bolt, Carriage (3/8-16 x 1)
AB-9	N402AP43B6	Washer (3/8)
AB-10	N405P13C6	Lockwasher (3/8)
AB-11	N258P25B6	Hex Nut (3/8-16)
AB-12	243A4894P1	Coupler Nut
AB-13	N22P25024B6	Hex Bolt (3/8-16 x 1.5)
AB-14	155C8009G2	Push Tube Asm.
AB-15	243A4895P1	Drilled Pin
AB-16	243A4543P1	Hair Pin Cotter
AB-17	243A4896P1	Pivot Bar Lock
AB-18	N533P2516B	Spring Pin
AB-19	243A4897P1	Spring, Angle Lock
AB-20	N22P35072B6	Hex Bolt (3/4-10 x 4.50)
AB-21	N213P35B6	Hex Nut (3/4-10)
AB-22	243A4898P1	Spacer
AB-23	243A4899P1	Washer
AB-24	178B8081P1	Handle, Bar Lock
AB-27	178B8259P1	Support Angling Rod
AB-28	N22P23018B6	Hex Bolt (5/16-18 x 1 1/8)
AB-29	N402AP72B6	Washer (5/16)
AB-30	N405P12C6	Lockwasher (5/16)
AB-31	N210P23B6	Hex Nut (5/16-18)
AB-32	178B8255P1	Angling Rod
AB-33	N402AP48B6	Washer (3/4)
AB-34	178B8268G1	Bar Lock Release Cable
AB-36	N402AP45B6	Washer (1/2)
AB-37	178B8287P1	Support Bracket
AB-38	247A7384G1	Lift Bracket Asm.
AB-39	N22P25052B6	Hex Bolt (3/8-16 x 3.25)
AB-41	211A3505P20	Clevis Pin
AB-42	N402AP15B6	Washer (1/2)
AB-43	178B8463G1	Lift Bar Asm.

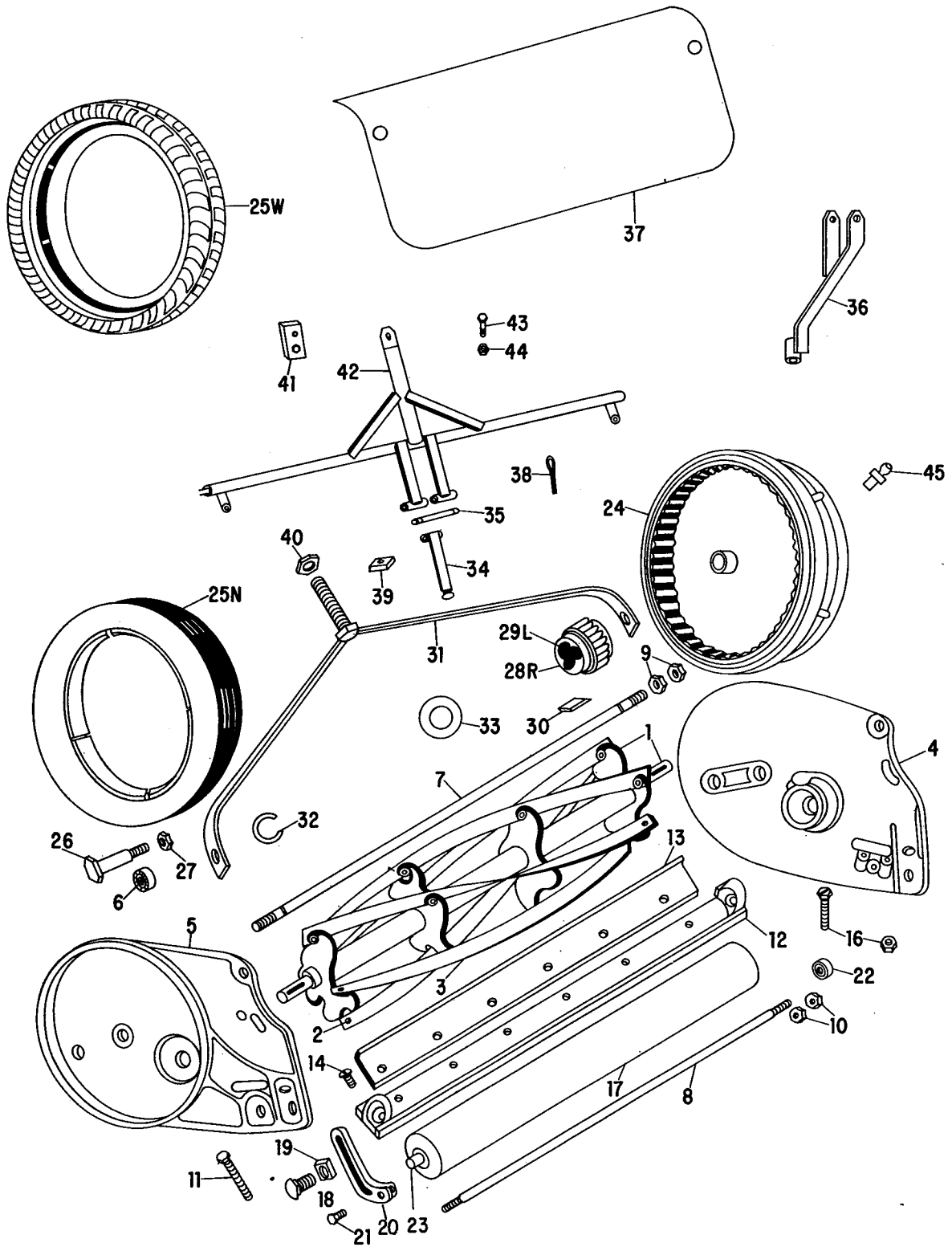


Fig. AC-12

FRONT MOUNTED 56" GANG MOWER

Model AR 56

When ordering parts, always include parts number and full description.

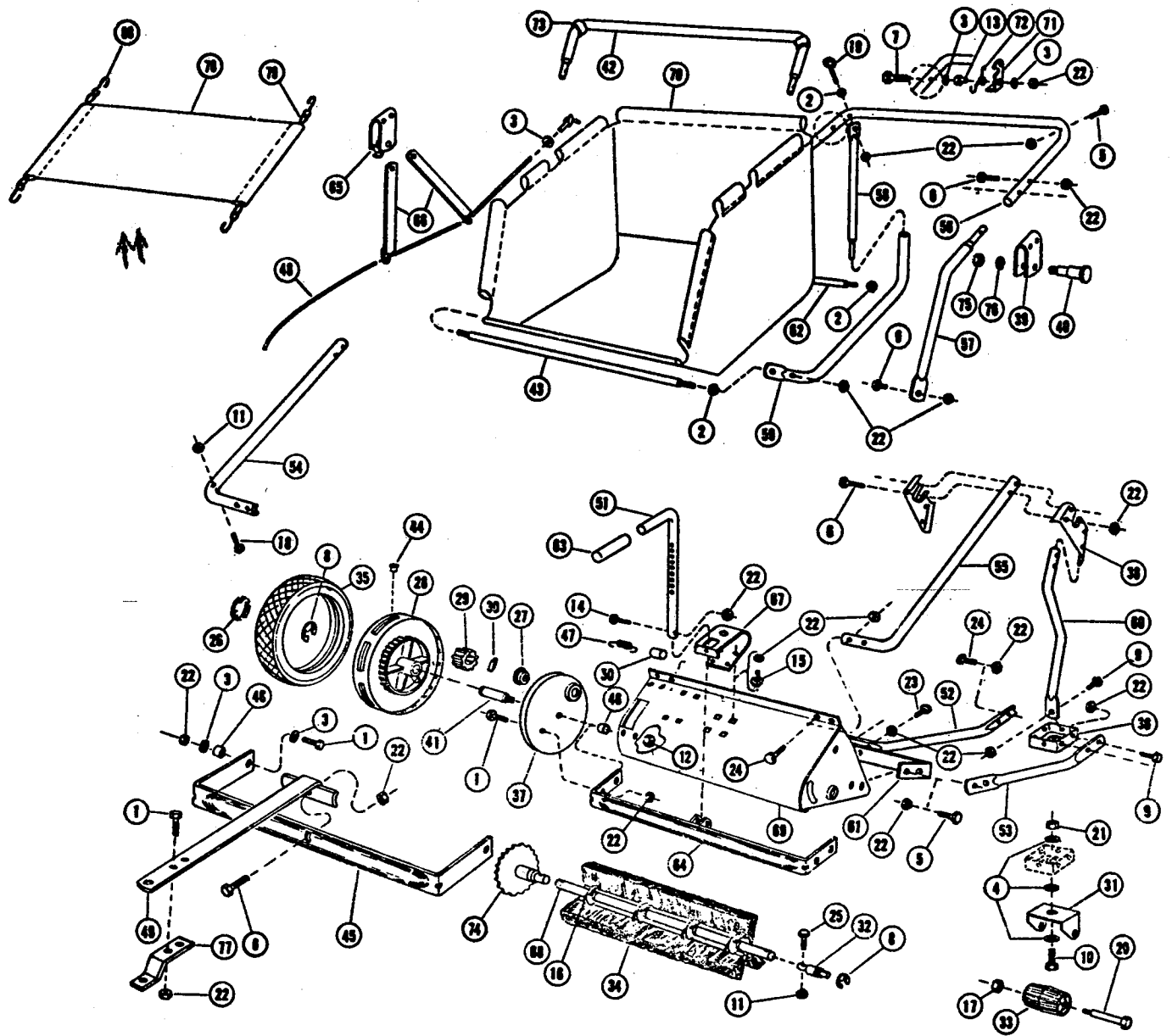
Send orders direct to: Roxy Bonner, Inc.
2000 Pioneer Road
Huntingdon Valley, Pennsylvania 19006

or call: Area Code (215) 675-6869 - Parts

All parts are shipped F.O.B. Huntingdon Valley, Pennsylvania, with terms of net 30 days.

Roxy Bonner warrants its mowers solely against defects in material and workmanship under normal use and service, the obligation under this warranty being limited to making good, at the factory, any parts thereof which shall, within one year after delivery to customer, be returned to company with transportation charges prepaid. This warranty does not apply to any used Roxy mowers or to units repaired or altered in other than company approved shops.

<u>Ref. No.</u>	<u>Part No.</u>	<u>Description</u>
AR-1	6100	Reel Assembly 21"
AR-2	R3-3.5	Reel Blade Rivet
AR-3	6103	Reel Blade
AR-4	6187	Side Plate R - Wide Wheel
AR-5	6188	Side Plate L - Narrow Wheel
AR-6	9400	Side Plate Bearing
AR-7	6128	Tie Rod 5/8, swaged on end
AR-8	6106	Tie Rod 1/2
AR-9	NF-10F	5/8 Jam Nut
AR-10	NF-8F	1/2 Jam Nut
AR-11	B6-12	Side Plate to Cutter Bar Bolt 3/8 x 1 1/4 Hx.
AR-12	6189	Castback
AR-13	6111	Bedknife
AR-14	BK2-12	Bedknife Screws 1/4 x 1/2
AR-15	B05-12	Adj. Screw, Front, 1 1/4
AR-16	B05-14/N5	Adj. Screw, Rear 1 1/2/Locknut 5/16 x 1/2
AR-17	6115	Roller - Less Brg.
AR-18	BJ6-10	Roller Bracket Bolt 3/8 x 1
AR-19	NA-6	Square Nut 3/8
AR-20	6022	Roller Bracket
AR-21	BR4-4	Set Screw 1/4 x 1/2
AR-22	9402	Bearings for Roller
AR-24	6197	Wide Wheel
AR-25W	9408	Wide Tire
AR-25N	9403	Narrow Tire
AR-26	9422	Wide Wheel Stud
AR-26	6119	Narrow Wheel Stud
AR-27	NF-8F	Nut for Wheel Stud 1/2 Hex
AR-28	6123	Pinion, Right
AR-29	6121	Pinion, Left
AR-30	6122	Wheel Pinion Pawl
AR-31	6127	Towing Asm, with Tie Rod 6128
AR-32	9414	Snap Ring, Wh. Shaft
AR-33	6129	Narrow Washer in 6127
AR-34	6140	Extension Arm
AR-35	6066	Extension Arm Pin
AR-36	6515	Hitch for Single Mower Unit
AR-37	6482	Deck
AR-38	C4-10	Cotter Pin 1/8 x 1
AR-39	NA-10	Square Nut 5/8
AR-40	ND-10	Lock Nut 5/8
AR-41	-----	Not Required for Elec-Trak
AR-42	6147	Main Frame
AR-43	B8-24	Hitch Bolt 1/2 x 2 1/2
AR-44	ND8	Lock Nut 1/2
AR-45	9424	Grease Fitting in Wheel



AS

TRAILING LAWN SWEEPER

Model AS 31

General Electric Elec-Trak tractor dealers should contact closest Lambert parts distributor to obtain replacement parts for AS 31.

When ordering parts, always specify model number, part number and description. Send your order direct to:

<u>State</u>	<u>Distributor</u>	<u>Address</u>
California	Tarzana Mower & Engine Parts, Inc.	6075 Reseda Boulevard Reseda, California 91335
Colorado	South Denver Auto Parts & Service	527 West Evans Denver, Colorado 80223
Illinois	Bob's Garden Center	9641 West Grand Avenue Franklin Park, Illinois 60131
Indiana	Roy's Service Shop	R. R. #7, Box 19 Anderson, Indiana 46011
Massachusetts	Morton B. Collins Co.	300 Birnie Avenue Springfield, Massachusetts 01107
Michigan	Wilson's Hardware & Lawn Supplies	1285 W. Eight Mile Road Detroit, Michigan 48203
Minnesota	Ed McDevitt Company	3387-93 Brownlow Avenue Minneapolis, Minnesota 55426
New Jersey	Repair City Corporation	67 East Ridgewood Avenue Paramus, New Jersey 07652
New York	W. J. Norton's Service, Inc.	359 Court Street Binghamton, New York 13904
	C&B Lawnmower & Kart Service	2990 Seneca Street West Seneca, New York 14224
Pennsylvania	Scranton Auto Ignition Co.	1133 Wyoming Avenue Scranton, Pennsylvania 18500
Utah	A-1 Engine & Mower Co.	437 East Ninth, South Salt Lake City, Utah 84111
Washington	Bailey Rebuild, Inc.	1325 East Madison Street Seattle, Washington 98122
Wisconsin	Schlafer Supply Company	115 West College Avenue Appleton, Wisconsin 54911
	Bill's Hardware, Inc.	13885 West Capitol Drive Brookfield, Wisconsin 53005
Canada	Addison Equipment, Ltd.	915 Oxford Street Toronto, Ontario

TRAILING LAWN SWEEPER

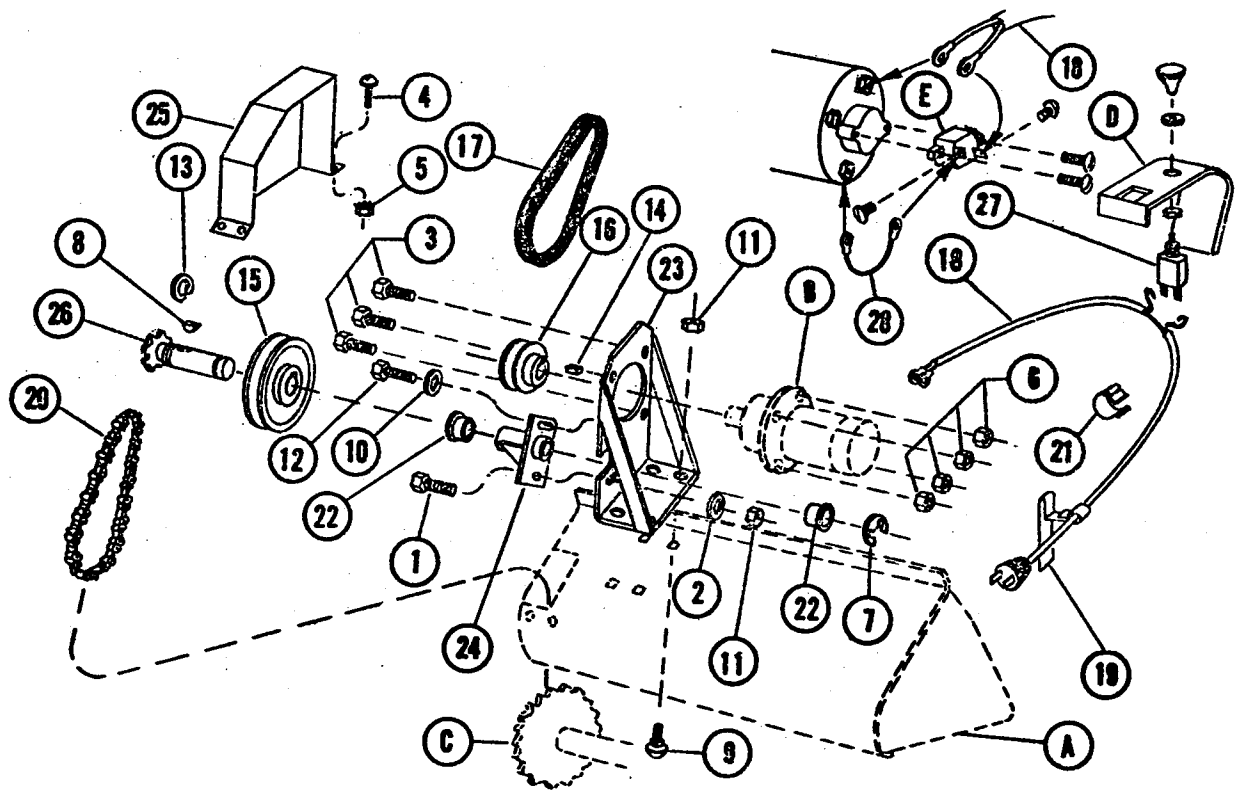
Model AS 31

<u>Ref. No.</u>	<u>Part No.</u>	<u>Description</u>
AS-1	L-59	5/16-18 x 3/4 Hex Cap Screw
AS-2	L-60	5/16-18 Hex Nut
AS-3	L-99	5/16" S.A.E. Flat Washer
AS-4	L-64A	1/2" S.A.E. Flat Washer
AS-5	L-80	5/16-18 x 1 Hex Cap Screw
AS-6	L-81	5/16-18 x 1 1/4 Hex Cap Screw
AS-7	L-127	5/16-18 x 1 1/2 Hex Cap Screw
AS-8	L-262	5/8" E-Type Ret. Ring
AS-9	L-279	5/16-18 x 1/2 Hex Cap Screw
AS-10	X-1258	1/2-13 x 1 1/4 Hex Cap Screw
AS-11	L-303	1/4-20 Lock Nut
AS-12	L-5486M	3/9-24 Lock Nut (Spec.)
AS-13	L-5552	5/16-18 Pilot Nut (Spec.)
AS-14	X-1027	5/16-18 x 1 3/4 Hex Cap Screw
AS-15	X-1042	5/16-18 x 5/8 Carr. Bolt (Spec.)
AS-16	X-1043	Brush Holder Spring
AS-17	X-1127	3/8-24 Lock Nut
AS-18	X-1234	1/4-20 x 1 Eye Bolt
AS-19	X-1235	5/16-18 x 2 3/4 Eye Bolt
AS-20	X-1293	Caster Stud
AS-21	X-1353	1/2-13 Lock Nut
AS-22	X-1107	5/15-18 Lock Nut
AS-23	X-1358	5/16-18 x 1 1/4 Tube Bolt
AS-24	X-1359	5/16-18 x 1 Tube Bolt
AS-25	X-2020	1/4-20 x 1 Hex Cap Screw
AS-26	L-5471B	Hub Cap
AS-27	L-5497A	Freeway Bearing
AS-28	L-5750A	Die Cast Wheel Assembly
AS-29	L-5753H	Pinion Gear
AS-30	L-5761H	Pinion Pawl
AS-31	1-1640	Caster Bracket
AS-32	1-1179	Brush Stud Axle
AS-33	1-1633	Caster Roller
AS-34	1-1421	Brush Strip
AS-35	1-1637	10 x 2.25 Tire
AS-36	1A-1638	Caster Plate Assembly
AS-37	1-1428	Wheel Shield
AS-38	1-1429	Frame Pivot Bracket
AS-39	1-1430	Pivot Bracket
AS-40	1-1443	Pivot Pin
AS-41	1-1444	Wheel Stud
AS-42	1-1454	Pivot Stand Tube
AS-43	1-1455	Hamper Tie Rod
AS-44	L-288	Oiler
AS-45	1-1817	"U" Bar
AS-46	1-1458	Spacer (Axle)
AS-46	1-1526	Spacer (Hitch)
AS-47	1-1465	Adjustment Spring
AS-48	1-1467	Dump Rope
AS-49	1A-1782	Hitch Tongue
AS-50	1-1474	Retainer Tube
AS-51	1-1479	Adjustment Tube
AS-52	1-1601	Pivot Stand Brace
AS-53	1-1825	Pivot Stand Brace
AS-54	1-1488	Pivot Stand Tube R.

TRAILING LAWN SWEEPER (Continued)

Model AS 31

<u>Ref. No.</u>	<u>Part No.</u>	<u>Description</u>
AS-55	1-1489	Pivot Stand Tube L.
AS-56	1-1493	Top Hamper Tube
AS-57	1-1495	Side Hamper Tube
AS-58	1-1496	Hamper Tube
AS-59	1-1497	Bottom Tube
AS-60	1-1602	Pivot Support R.
AS-60	1-1603	Pivot Support L.
AS-61	1-1770	Stiffener
AS-62	1-1519	Rear Hamper Rod
AS-63	1-1522B	Handle Grip
AS-64	1A-1780	Bumper Assembly
AS-65	1A-1484	Bracket Assembly
AS-66	1A-1440	Lever Assembly
AS-67	1A-1823	Adjustment Bracket
AS-68	1A-1419	Brush Axle Assembly
AS-69	1A-1791	Shield Assembly
AS-70	1A-1818	Hamper Assembly
AS-71	1-1537	Hamper Latch
AS-72	1-1538	Latch Spring
AS-73	1-1604	Rubber Sleeve
AS-74	1A-1408	Drive Sprocket Assembly
AS-75	X-1126	3/8-24 Hex Nut
AS-76	X-1070	3/8" Lock Washer
AS-77	1-1553	Hitch Pin Bracket
AS-78	1A-1562	Wind Apron
AS-79	1A-1605	Stretch Cord
AS-80	X-1361	Cord Hook



KS

LAWNSWEEPER MOTOR KIT

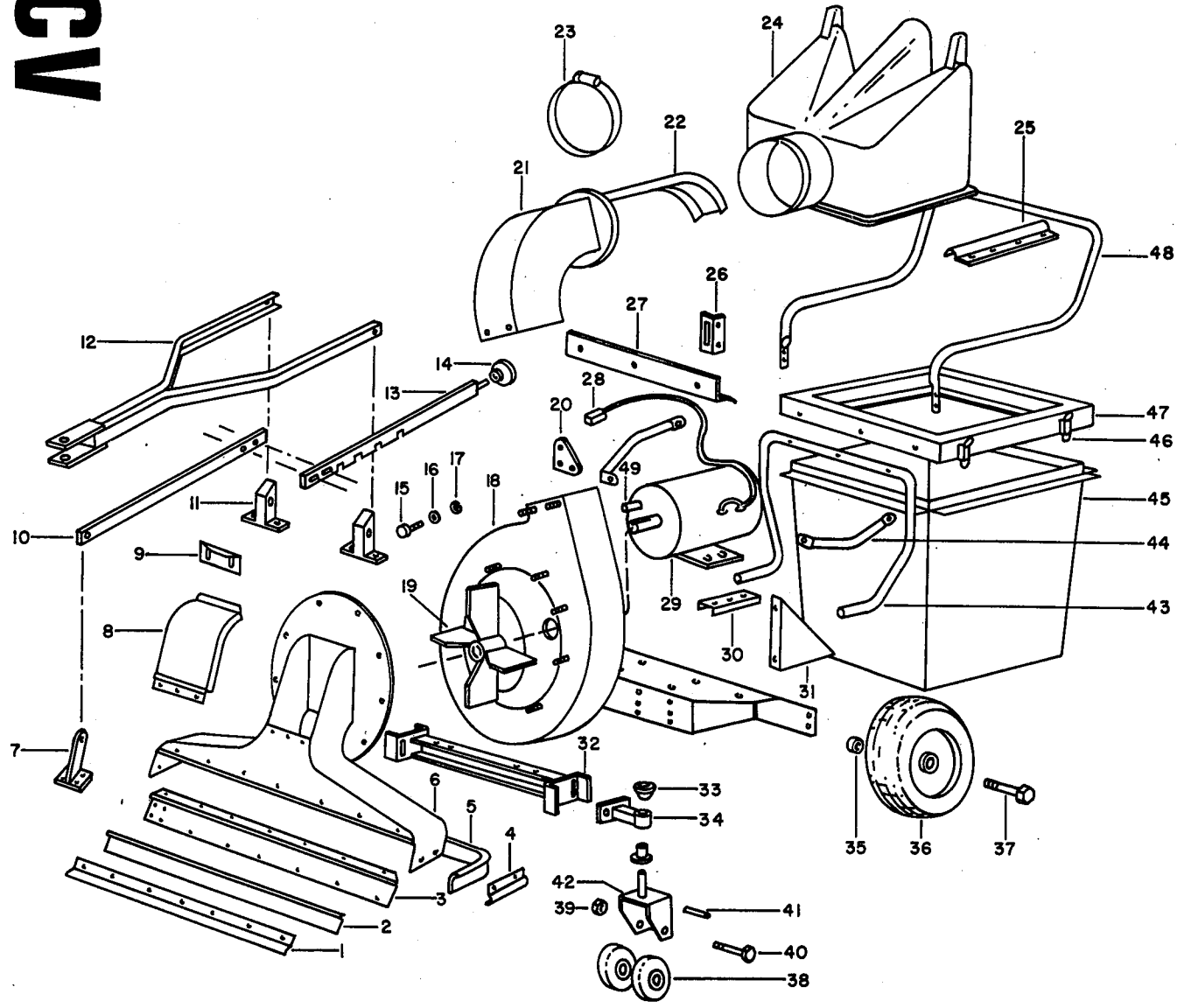
Model KS 31

When ordering parts, always specify model number, quantity and description in detail.

Send orders direct to your nearest Lambert dealer (see AS 31 for a listing). For the motor kits KS 32 which is required in conjunction with the KS 31 kit, contact outdoor power equipment, Schenectady, New York.

<u>Ref. No.</u>	<u>Part No.</u>	<u>Description</u>
1	L-59	5/16-18 x 3/4 Hex Cap Screw
2	L-99	5/16" S. A. E. Flat Washer
3	L-172	1/4-20 x 3/4 Hex Cap Screw
4	L-242A	#10-24 x 1/2 Rd. Head Mach. Sc.
5	L-242B	#10-24 Kep-Nut
6	L-303	1/4-20 Lock Nut
7	X-1003	3/4" E-Type Ret. Ring
8	X-1008	#9 Woodruff Key
9	X-1042	5/16-18 x 5/8 Carr. Bolt
10	X-1099	1/4" S. A. E. Flat Washer
11	X-1107	5/16-18 Lock Nut
12	X-1182	1/4-20 x 1 1/4 Hex Cap Screw
13	X-1363	3/4" Crescent Ring
14	X-1394	5/32 Sq. x 1/2" Key
15	1-1804	5" O.D. A-Sect. Pulley
16	1-1805	2 1/2" O.D. A-Sect. Pulley
17	1-1806	20" A-Sect. Belt
18	1-1808	10' Cord W/Switch & Rec.
19	1-1809	Cord Clip
20	1-1810	#65-46 Pitch Chain
21	4-10146	Cord Clamp
22	4-10697	Jackshaft Bushing
23	1A-1794	Mounting Bracket Ass'y.
24	1A-1798	Jackshaft Mounting Ass'y.
25	1A-1801	Belt Guard
26	1A-1803	Jackshaft Ass'y.
27	1A-1824	On-Off Switch
28	1A-1830	Circuit Breaker Wire

GV



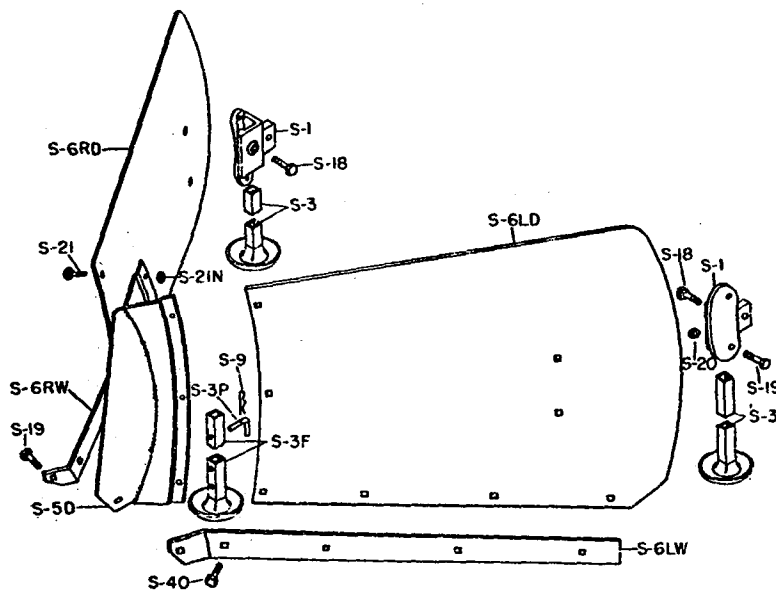
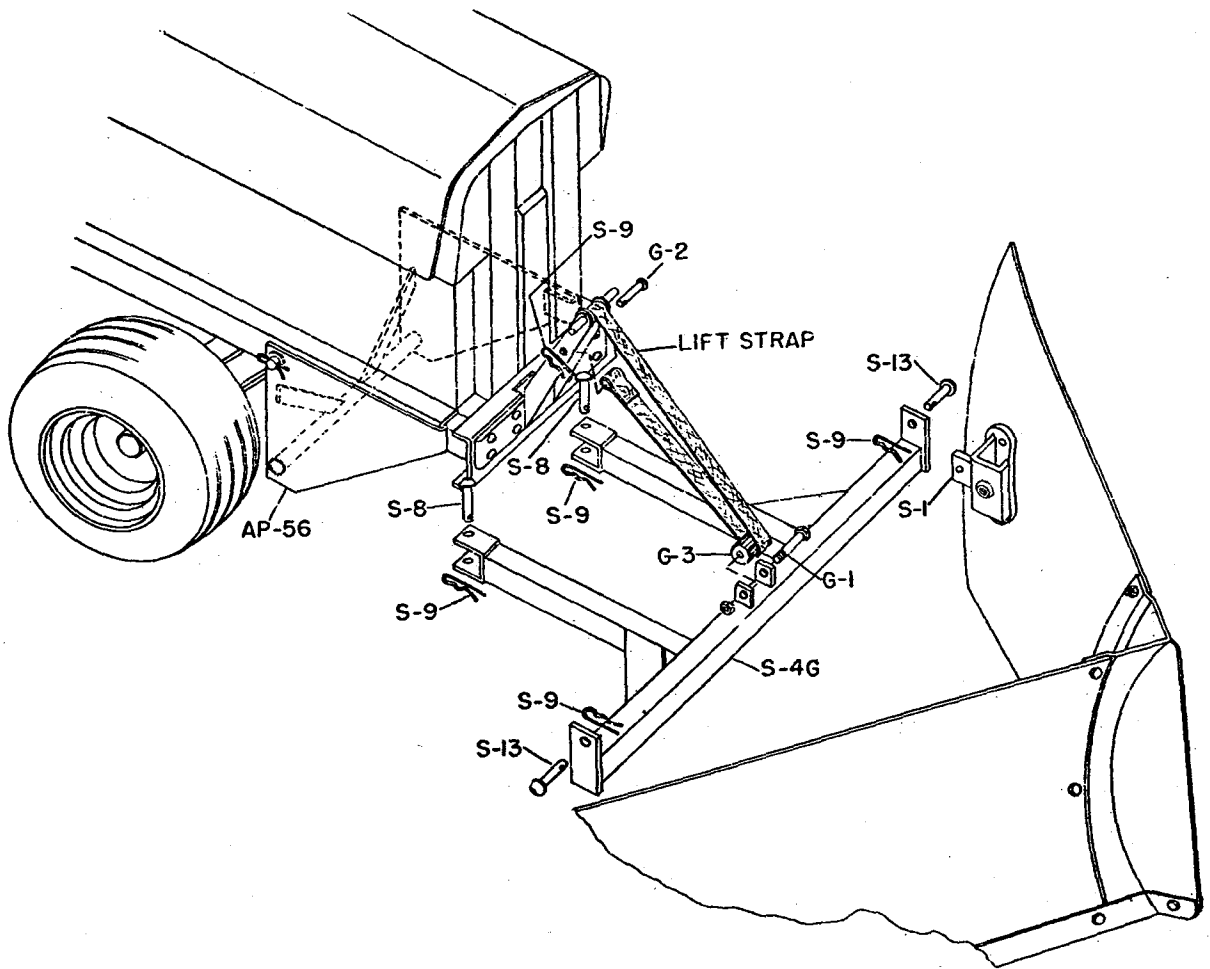
VACUUM
Model CV 60

When ordering parts, always specify model number, quantity, and description in detail.

Send orders direc to: Ecology Products
Tariffville, Connecticut

or call: Area Code (203) 658-2226

<u>Ref. No.</u>	<u>Part No.</u>	<u>Description</u>
1	60352-0	Clamping Strip Front and Rear
2	60351	Skirt, Door
3	40111-0	Door Assembly
4	60353-0	Clamping Strip Side
5	60350	Skirt - Rear and Side
6	40103-0	Intake Housing
7	40222-0	Bracket Assembly
8	40109-0	Cover Assembly
9	60018-0	Lever, Lower
10	60218-0	Latch
11	40375-0	Tow Bracket
12	40379-0	Tow Bar
13	60219-0	Lever Upper
14	60244	Knob
15	60077	Bolt 5/16-24 x 1 3/4
16	60076	Washer 5/16 Lock
17	60075	Washer 5/16 Flat
18	40388	Housing Assembly
19	40079	Impeller 12" Dia.
20	60486-0	Plate, Brace
21	40138-0	Chute Assembly
22	60144-0	Deflector
23	60149	Clamp 8"
24	60233	Venting Bag
25	60285	Clamping Strip
26	60221	Bracket, Lever Locking
27	60281	Guide Angle
28	40404	Wiring Harness
29	60391	Motor G. E.
30	60095-0	Riser Channel
31	60392-0	Brace Housing to Base
32	40118-0	Carrier Bar Assembly
33	60131	Bearing
34	40126	Caster Extension
35	60025	Nut, Lock 5/8-18
36	60359	Wheel Pneumatic 10"
37	60029	Bolt 5/8-18 x 3 3/4
38	60026	Wheel 5" Dia.
39	60025	Nut, Lock 3/8-16
40	60024	Bolt 3/8-16 x 4
41	60023	Sleeve Axle
42	40125-0	Caster Bracket
43	60229	Handle Lower
44	60139	Brace
45	40288	Container
46	60290	Catch
47	40279-0	Frame Assembly Container
48	60230	Handle Upper



BV

V-PLOW
Model BV 48

When ordering parts, always specify model number, quantity, and description in detail.

Send orders direct to: Lantz Manufacturing Division
 Superior Implement and Supply Co.
 Greenville, Ohio 45331

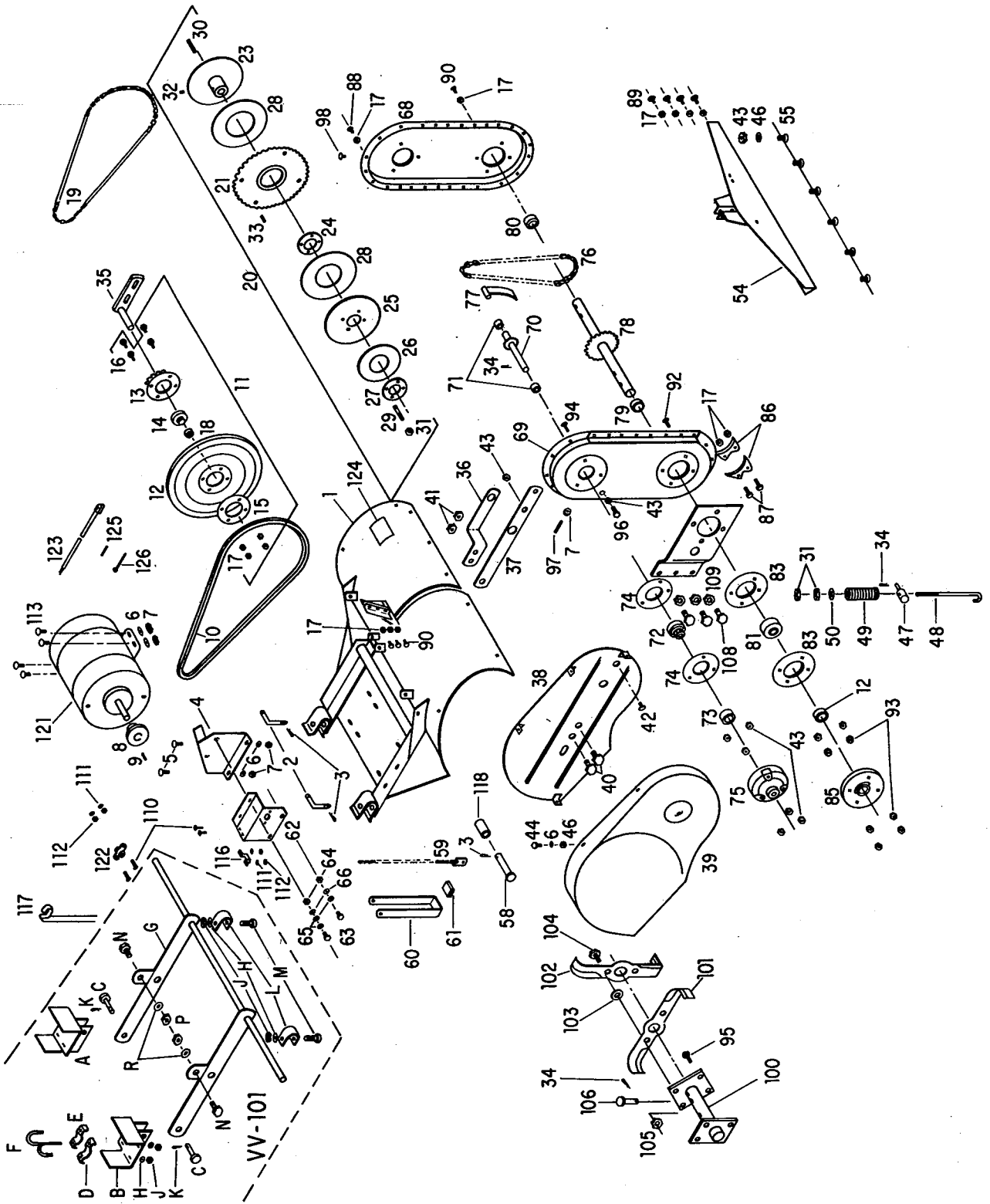
or call: Area Code (513) 548-2171

<u>Part No.</u>	<u>Description</u>
S-5D	Center Nosepiece
S-6LD	Left Blade Section, Deluxe
S-6RD	Right Blade Section, Deluxe
S-6LW	Left Wear Edge
S-6RW	Right Wear Edge
S-1	Main Frame Mounting Brackets
G-1	Cap Screw and Grip Nut, 3/8" x 2-3/4"
G-2	Clevis Pin, 5/16" x 2-1/2"
G-3	Plastic Sleeve, 2" Long
S-19	Carriage Bolt, 5/16" x 1"
S-20	Grip Nuts for 5/16" Dia. Bolts
S-21	Carriage Bolt, 1/4" x 1/2"
S-21N	Grip Nuts for 1/4" x 1/2"
S-40	Carriage Bolts, 5/16" x 3/4"
S-4G	Main Frame
S-8	Clevis Pins, 3/8" x 1-7/8"
S-13	Clevis Pins, 1/2" x 1-27/64"
S-9	Hairpin Clips for Clevis Pins

OPTIONAL GAUGE SHOE KIT

Model KS 30

<u>Part No.</u>	<u>Description</u>
S-3	Gauge Shoe, Side
S-3F	Gauge Shoe, Front
S-3P	Front Gauge Shoe Pin
S-18	Cap Screw, 3/8" x 3/4"
S-9	Hairpin Clip



ROTARY TILLER

Model VV 100

When ordering parts, always include part number and full description.

Send orders direct to:

Brinly-Hardy Company, Inc.
340 E. Main Street
Louisville, Kentucky 40202

or call: Area Code (502) 585-3351

<u>Ref. No.</u>	<u>Part No.</u>	<u>Description</u>
VV-1	V-114	Shroud Assembly
VV-2	B-1610P	Pin, Drilled 5/8" D.
VV-3	D-146P	Hair Pin Cotter 1/8" x 1 7/8"
VV-4	V-126	Shield, Belt-Motor
VV-5	1M1016P	Hex Hd. Bolt, 5/16-18 x 1"
VV-6	40M1000P	Lockwasher 5/16"
VV-7	30M1000P	Hex Nut 5/16"
VV-8	V-127	Pulley, Driver with Set Screw
VV-9	V-158	Key 3/16" Sq. x 1 1/4"
VV-10	V-131	V Belt
VV-11	V-132	Pulley & Sprocket Assy (Mech. Assm.)
VV-12	V-133	Pulley - 11"
VV-13	V-134	Sprocket & Cup Assy
VV-14	V-137	Bearing 3/4" Sealed
VV-15	V-138	Washer, Reinforcing
VV-16	2M0810P	Hex Bolt 1/4"-20 x 5/8"
VV-17	B-1673P	Hex Lock Nut 1/4"-20
VV-18	V-139	Lock Collar 3/4"
VV-19	V-145	Roller Chain, ASA-50
VV-20	V-322	Sprocket-Torque Limiter Assy (Mech. Ass'm.)
VV-21	V-323	Sprocket Assembly with Bushing
VV-23	V-326	Hub Assembly
VV-24	V-329	Ring, Spacer
VV-25	V-330	Disc. Outer
VV-26	V-331	Spring, Washer
VV-27	V-332	Ring, Spring Deflector
VV-28	V-333	Clutch, Disc
VV-29	V-334	Stud, Spec. 3/8" D.
VV-30	V-335	Key, Sq. (1/4" Sq. x 1 3/4")
VV-31	30M1200P	Hex Nut 3/8"-16
VV-32	V-336	Set Screw 5/16" x 1/4"
VV-33	V-355	Roll Pin 5/16" D. x 3/4"
VV-34	50M0416P	Cotter Pin 1/8" D. x 1.0"
VV-35	V-146	Shaft-Arm Ass'y.
VV-36	V-149	Arm, Pivot (Outer)
VV-37	V-150	Arm, Pivot (Inner)
VV-38	V-151	Shield Ass'm., Inner
VV-39	V-154	Shield Outer
VV-40	V-295	Hex Hd. Bolt 5/8"-18 x 2"
VV-41	32M2000P	Hex Nut 5/8"-18
VV-42	25M1016P	Flat Hd. Mach. Screw 5/16" x 1.00"
VV-43	B-1674P	Hex Lock Nut 5/16"-18
VV-44	1M1008P	Hex Hd. Bolt 5/16" x 1/2"
VV-46	45M1111P	Flat Washer 5/16" SAE
VV-47	V-155P	Trunnion-Spring Rod

ROTARY TILLER (Continued)

Model VV 100

<u>Ref. No.</u>	<u>Part No.</u>	<u>Description</u>
VV-48	V-156P	"J" Bolt
VV-49	V-157P	Compression Spring
VV-50	45M1313P	Flat Washer 3/8" SAE
VV-52	45M1717P	Flat Washer 1/2" SAE
VV-54	V-159	Shroud Brace Ass'm. W.A.
VV-55	11M1012P	Carr. Bolt 5/16"-18 x 3/4"
VV-58	V-163P	Pin, Drilled 1/2" D. x 4 1/4"
VV-59	V-359P	Limit Chain Ass'm.
VV-60	V-369	Lift Limiter
VV-61	V-370	Pad-Vinyl
VV-62	V-361	Bracket-Circuit Breaker
VV-63	1M0812P	Hex Bolt 1/4"-2 x 3/4"
VV-64	30M0800P	Hex Nut 1/4"-20
VV-65	45M0909P	Flat Washer 1/4" SAE
VV-66	40M0800P	Lock Washer 1/4"
VV-68	V-167	Chain Housing Ass'm. (R.H.)
VV-69	V-172	Chain Housing Ass'm. (L.H.)
VV-70	V-174	Shaft & Sprocket Ass'm. 10T
VV-71	V-177	Spacer, Drive Shaft
VV-72	V-178	Bearing 1" Sealed
VV-73	V-179	Lock-Collar (1")
VV-74	V-180	Flangette Half - 1"
VV-75	V-181	Hub, Pivot (for 1" Shaft)
VV-76	V-182	Chain, Roller (ASA 60)
VV-77	V-183	Chain Tightener Ass'm.
VV-78	V-186	Tine Shaft & Sprocket Ass'm.
VV-79	V-190	Spacer, Tine Shaft (Long)
VV-80	V-191	Spacer, Tine Shaft (Short)
VV-81	V-192	Bearing 1 1/4" Bore
VV-82	V-193	Locking Collar 1 1/4"
VV-83	V-194	Flangette Half 1 1/4"
VV-84	V-195	Plate-Attaching (Lower)
VV-85	V-196	Cap, Bearing Guard
VV-86	V-197	Wear Bar
VV-87	2M0832P	Hex Bolt 1/4"-20 x 2.00"
VV-88	13M0808P	Carriage Bolt (Short Sq. Neck)
VV-89	11M0816P	Carriage Bolt 1/4" x 1"
VV-90	10M0812P	Carriage Bolt 1/4" x 3/4"
VV-92	V-207	Carriage Bolt Gr. 5 3/8"-16 x 1 1/2" Thd. to Hd.
VV-93	B-1675P	Hex Lock Nut 3/8"-16
VV-94	B-199P	Carriage Bolt 5/16"-18 x 1 1/2"
VV-95	2M1416P	Hex Bolt 7/16 x 1"
VV-96	1M1032P	Hex Bolt 5/16-18 x 2"
VV-97	V-200	Hex Socket Set Screw 5/16"-18 x 1 1/2"
VV-98	V-201	Cover, Oil Hole
VV-100	V-376	Tine Attachment Ass'm.
VV-101	M43480	Tine R.H. 1/4" x 13-1/2"
VV-102	M43481	Tine L.H. 1/4" x 13 1/2"
VV-103	B723	Washer-Spec.
VV-104	2M1424P	Hex Bolt 7/16"-14 x 1 1/2"
VV-105	B-1676	Hex Lock Nut 7/16"-14
VV-106	B-1345P	Pin-Tine Tub. Conn. 1/2" D. x 2"
VV-108	2M1632P	Hex Bolt 1/2"-13 x 2"
VV-109	B-1677P	Hex Lock Nut 1/2"-13

ROTARY TILLER (Continued)

Model VV 100

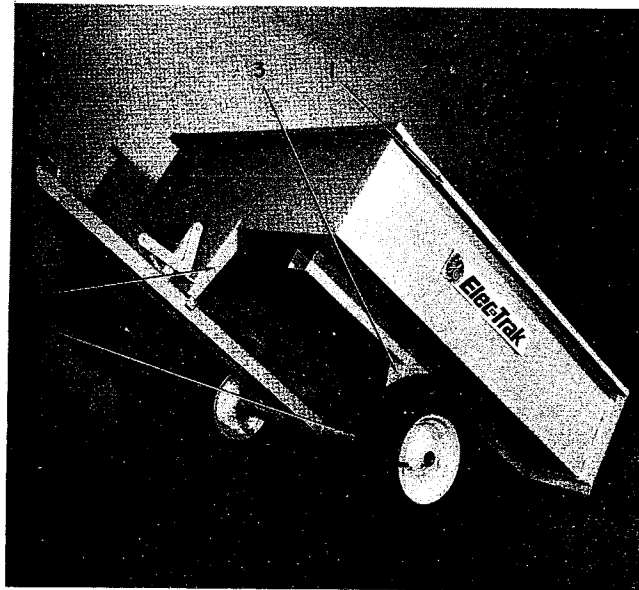
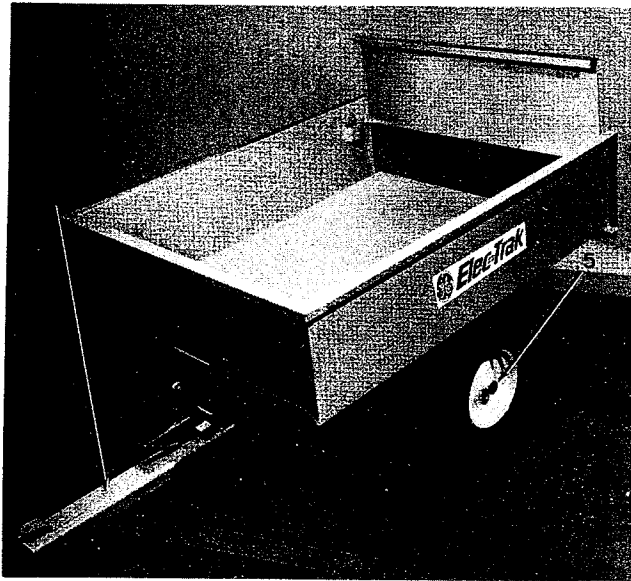
<u>Ref. No.</u>	<u>Part No.</u>	<u>Description</u>
VV-110	V-128P	Pan Head Mach. Screw-Phillips Hd. 10-32 x 7/8"
VV-111	V-130P	Lockwasher #10
VV-112	V-129P	Hex Nut #10-32
VV-113	11M1016P	Carriage Bolt 5/16"-18 x 1.0"
VV-116	V-362P	Cable Clamp
VV-117	V-375	Clip-Power Cable
VV-118	V-374	Tube-Roller
VV-121*	163B9956P1	Motor-Tiller
VV-122*	243A4606P1	Circuit Breaker
VV-123*	243A4528G1	Cord Ass'm.
VV-124*		Decal, Caution
VV-125*	211A3556G3	Jumper Wire
VV-126*	243A4540P2	Cable Tie

TILLER MOUNTING BRACKET

Model VV 101

<u>Ref. No.</u>	<u>Part No.</u>	<u>Description</u>
VV-A	V-100	Axle Bracket, R. H.
VV-B	V-101	Axle Bracket, L. H.
VV-C	H200P	Drilled Rivet 1/2" D. x 1 1/2"
VV-D	V-106	Spacer, Axle (Outer-Heavy)
VV-E	V-107	Spacer, Axle (Inner-Light)
VV-F	V-108P	"U" Bolt 3/8" D.
VV-G	V-109	Bail Ass'm.
VV-H	40M1200P	Lock Washer 3/8"
VV-J	30M1200P	Hex Nut 3/8"-16
VV-K	D-146P	Hair Pin Cotter 1/8" x 1 7/8"
VV-L	V-105	Clevis-Positioning
VV-M	10M1232P	Carriage Bolt 3/8"-16 x 2"
VV-N	1M1620P	Hex Bolt 1/2"-13 x 1 1/4"
VV-P	30M1600P	Hex Nut 1/2"-13
VV-R	40M1600P	Lock Washer 1/2"

*GE Parts - Available through O. P. E. O.
All other parts available through Brinly-Hardy Co.



AF

12 CUBIC FOOT DUMP CART

MODEL AF 12

WHEN ORDERING PARTS, ALWAYS INCLUDE PART NUMBERS AND
FULL DESCRIPTION.

SEND ORDERS DIRECT TO: OHIO STEEL FABRICATORS
2575 FERRIS ROAD
COLUMBUS, OHIO 43224

OR CALL: AREA CODE (614) 471-4800

<u>REF. NO.</u>	<u>PART NO.</u>	<u>DESCRIPTION</u>
AF-1	3648-1	BODY
AF-2	3648-7	LATCH SPACER
AF-3	3648-8	STRUT (2 REQUIRED)
AF-4	3648-9	DRAW BAR
AF-5	3648-10	WHEEL (2 REQUIRED)
AF-6	3648-11	AXLE

ENCLOSED CAB

Model AG 55

When ordering parts, always specify cab, model number, part number and description in detail.

Send orders direct to: Curtis Tractor Cab, Inc.
7 Brookfield Street
Worcester, Massachusetts 01605

or call: Area Code (617) 752-4086

Each cab is guaranteed one year to be free of defects in parts and workmanship. Under guarantee all defective parts must be returned to Curtis, freight prepaid, and replacements will be returned freight collect.

<u>Part No.</u>	<u>Description</u>
AG-1	Roof
AG-2	Front, Complete with Glass Windshield
AG-3	Front, Without Glass Windshield
AG-4	Rear Legs, Right and Left
AG-5	Left Side Curtain with Zipper
AG-6	Right Side Curtain
AG-7	Rear Curtain
AG-8	Windshield Wiper Motor (12-volt)
AG-9	Windshield Wiper Arm
AG-10	Windshield Wiper Blade
AG-11	Male Snaps for Cab (Require Rivets)
AG-12	Rivets (Special Machine Required to Set - <u>Not Available</u>)
AG-13	Threaded Male Snaps and Nuts
AG-14	Rubber for Mounting Windshield Glass
AG-15	Safety Glass for Windshield
AG-16	5/16-18 Bolt, Nut and Washer
AG-17	5/8 I.D. Grommet for Wiper Installation
AG-18	3/16 I.D. Grommet for Wiper Installation
AG-19	Cab Shipping Carton
AG-20	Mounting Pads for Fenders (2 Required)
AG-21	Mounting Pad for Windshield

CANOPY TOP, DOUBLE SEAT, GOLF BAG HOLDER

Model BC 11 Model BD 22 Model BG 33

When ordering parts, always specify model number, quantity, and description in detail.

Send orders direct to:

Breton Industries, Inc.
10 Leonard Street
Amsterdam, New York

or call: Area Code (518) 374-5329

CANOPY TOP

Model BC 11

<u>Qty.</u>	<u>Description</u>
1	Canopy Cover
2	Front and Rear Frame Member
2	Side Frame Member
2	Front Upright
2	Rear Upright
1	Front Mounting Bracket
2	Rear Mounting Bracket
2	Rear Cross Brace
8	1/2-20 x 3/4" Hex Bolt
2	1/4-20 x 1 1/4" Hex Bolt
2	1/4-20 x 1/2" Hex Bolt
12	1/4-20 Lock Nut
2	5/16-18 x 3/4" Hex Bolt
2	5/16-18 x 1" Hex Bolt
4	Washer
4	5/16-18 Lock Nut

DOUBLE SEAT

Model BD 22

<u>Qty.</u>	<u>Description</u>
2	Arms
1	Seat Back
1	Seat Bottom
8	5/16-18 x 1 1/2" Black Cap Screws
4	5/16-18 x 1 1/2" Plated Cap Screws
4	Leveler Bolts
8	Washers

GOLF BAG HOLDER

Model BG 33

<u>Qty.</u>	<u>Description</u>
1	Bag Rest
1	Tubular Upright
1	Base Box
1	Left Stabber
1	Right Stabber
1	44" Nylon Bearing
3	1/4-20 x 1 1/2" Hex Head Cap Screw
1	1/4-20 x 1 3/4" Hex Head Cap Screw
4	1/4-20 Lock Nut
4	5/16-18 x 3/4" Hex Head Cap Screw
4	5/16-18 Lock Nut

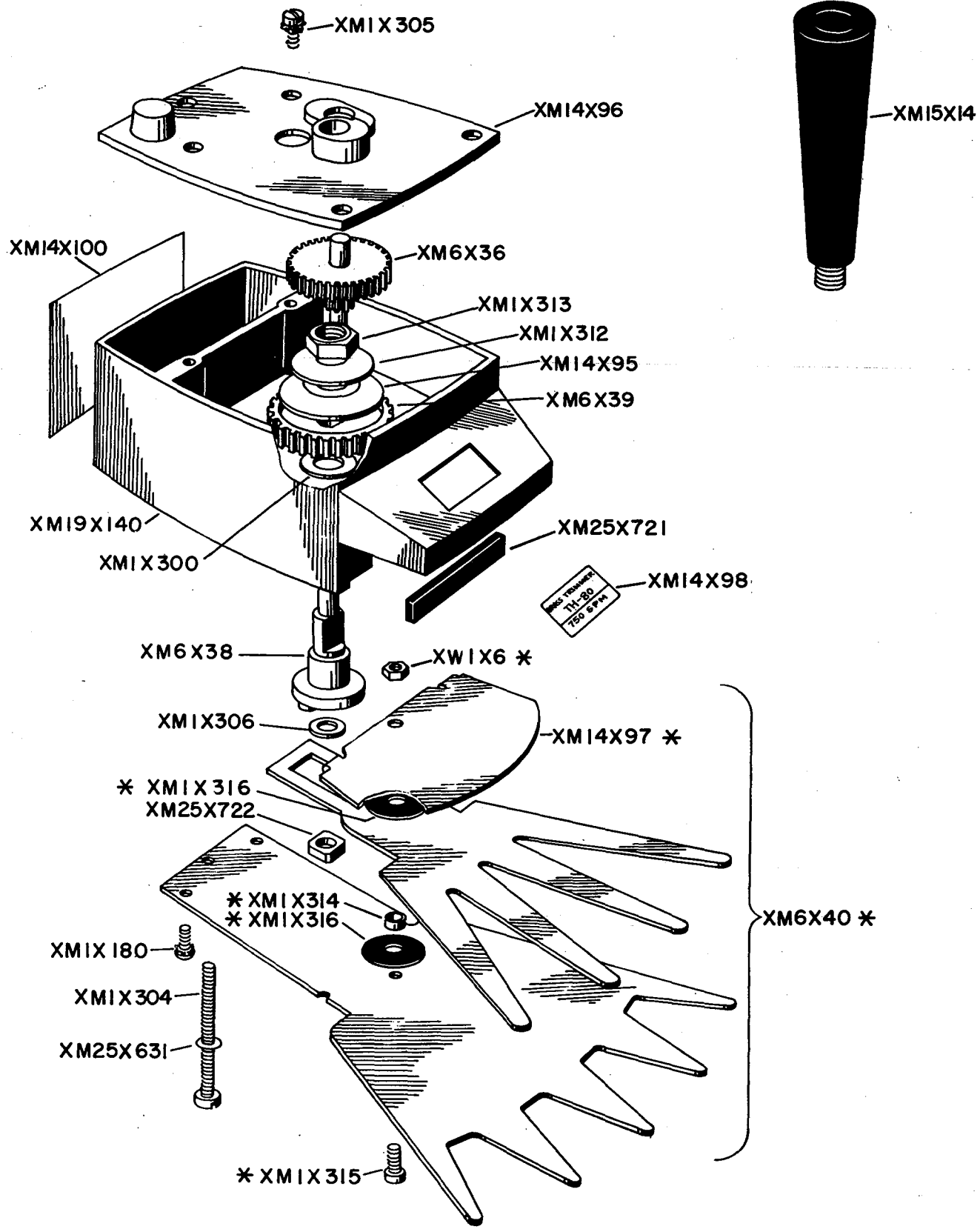
POWER UNIT

Model TM 3

The Model TM 3 POWER UNIT is designed to be used in conjunction with the models TH 20 (1/4" or TH 30 (3/8") drills, TH 70 hedge trimmer and/or the TH 80 grass trimmer to make a complete power tool assembly. It develops 1/3 horsepower, has a die cast aluminum housing, a trigger switch (which can be locked for continuous running) and a 20 foot yellow line cord with an armored locking plug at its end. Arrangement has been made for the attachment of helper handles in three areas or positions. The D1TM3 is approved for use on direct current only and at 36 volts D.C. is rated 7.0 amps.

For spare and renewal parts, contact your nearest General Electric Housewares Service Center; see attachment for address, telephone, etc.

<u>Part No.</u>	<u>Description</u>
XM 1X122	Screw Bearing Cap
XM 1X150	Nut Armature
XM 1X250	Washer, Armature
XM 1X252	Screw, Field
XM 1X254	Nut, Helper Handle
XM 1X255	Screw, Motor Mount (Front)
XM 1X256	Screw, Motor Case (Rear)
XM 1X257	Screw, Motor Case (Handle)
XM 1X258	Screw, Bearing Strap
XM 1X298	Washer, Armature
XM 1X299	Washer, Armature
XM 1X301	Washer, Armature
XM 2X 13	Brush Holder, R.H.
XM 2X 14	Brush Holder, L.H.
XM 2X 34	Brush
XM 3X 54	Spring, Carbon Brush
XM11X 59	Armature
XM14X 72	Escutcheon Plate
XM14X128	Rating Plate
XM17X 52	Power Cord
XM18X 80	Coil, Upper
XM18X 81	Coil, Lower
XM19X126	Case Assembly
XM25X264	Bearing Cap
XM25X625	Oil Wick
XM25X626	Bearing, Rear
XM25X627	Bearing, Front
XM25X628	Bearing Strap
XM25X629	Strain Relief Clip
XM25X706	Switch
XM25X729	Wire, Field Retaining
XM25X905	Plug, Power Cord



* - INCLUDES ALL PARTS IN A COMPLETE ASM.

TH

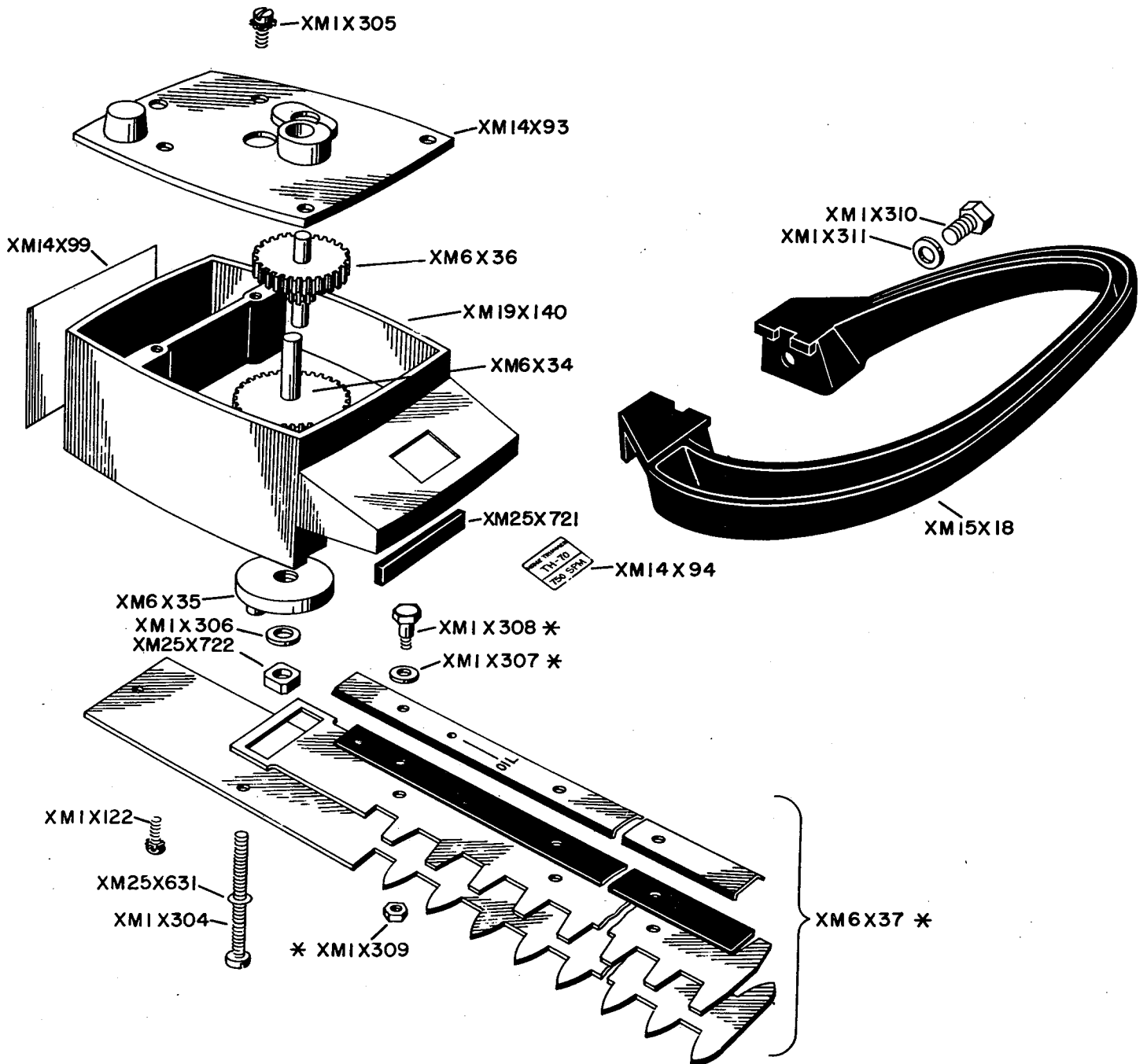
GRASS TRIMMER HEAD

MODEL TH 80

THE MODEL TH 80 GRASS TRIMMER HEAD IS DESIGNED TO OPERATE WITH ANY ONE OF THE GENERAL ELECTRIC POWER UNITS. IT HAS A DIE CAST ALUMINUM HOUSING, A TWO-STAGE REDUCTION GEAR ASSEMBLY AND A SLIP-CLUTCH MECHANISM. THE BLADES ARE SELF-SHARPENING AND BLACK-OXIDE FINISHED. ONE IS STATIONARY WITH FIVE TEETH WHILE THE OTHER IS RECIPROCATING AND HAS FOUR TEETH. THE 17TH80 HAS A CUTTING WIDTH OF 5" AT 750 STROKES PER MINUTE WHEN ATTACHED TO THE POWER UNIT. A HELPER HANDLE IS INCLUDED.

FOR SPARE AND RENEWAL PARTS, CONTACT YOUR NEAREST GENERAL ELECTRIC HOUSEWARES SERVICE CENTER; SEE ATTACHMENT FOR ADDRESS, TELEPHONE, ETC.

<u>PART NO.</u>	<u>DESCRIPTION</u>
XW 1X 6	NUT, BLADE ASSEMBLY
XM 1X180	SCREW, BLADE TO CASE
XM 1X300	WASHER, DRIVE SHAFT
XM 1X304	SCREW, CAPTIVE
XM 1X305	SCREW, INTERMEDIATE PLATE
XM 1X306	SPRING WASHER, DRIVE PLATE
XM 1X312	WASHER, CLUTCH PLATE
XM 1X313	NUT, DRIVE SHAFT
XM 1X314	BUSHING, BLADE ASSEMBLY
XM 1X315	SCREW, BLADE ASSEMBLY
XM 1X316	FELT WASHER, BLADE ASSEMBLY
XM 6X 36	INTERMEDIATE SHAFT ASSEMBLY
XM 6X 38	DRIVE SHAFT ASSEMBLY
XM 6X 39	DRIVE GEAR
XM 6X 40	BLADE ASSEMBLY
XM14X 95	CLUTCH PLATE
XM14X 96	INTERMEDIATE PLATE ASSEMBLY
XM14X 97	BLADE RETAINER
XM14X 98	NAMEPLATE
XM14X100	WARNING LABEL
XM15X 14	HANDLE
XM19X140	CASE ASSEMBLY
XM25X631	RETAINING RING
XM25X721	FELT DIRT SEAL
XM25X722	FOLLOWER



* - INCLUDES ALL PARTS
IN A COMPLETE ASM.

TH

HEDGE TRIMMER HEAD

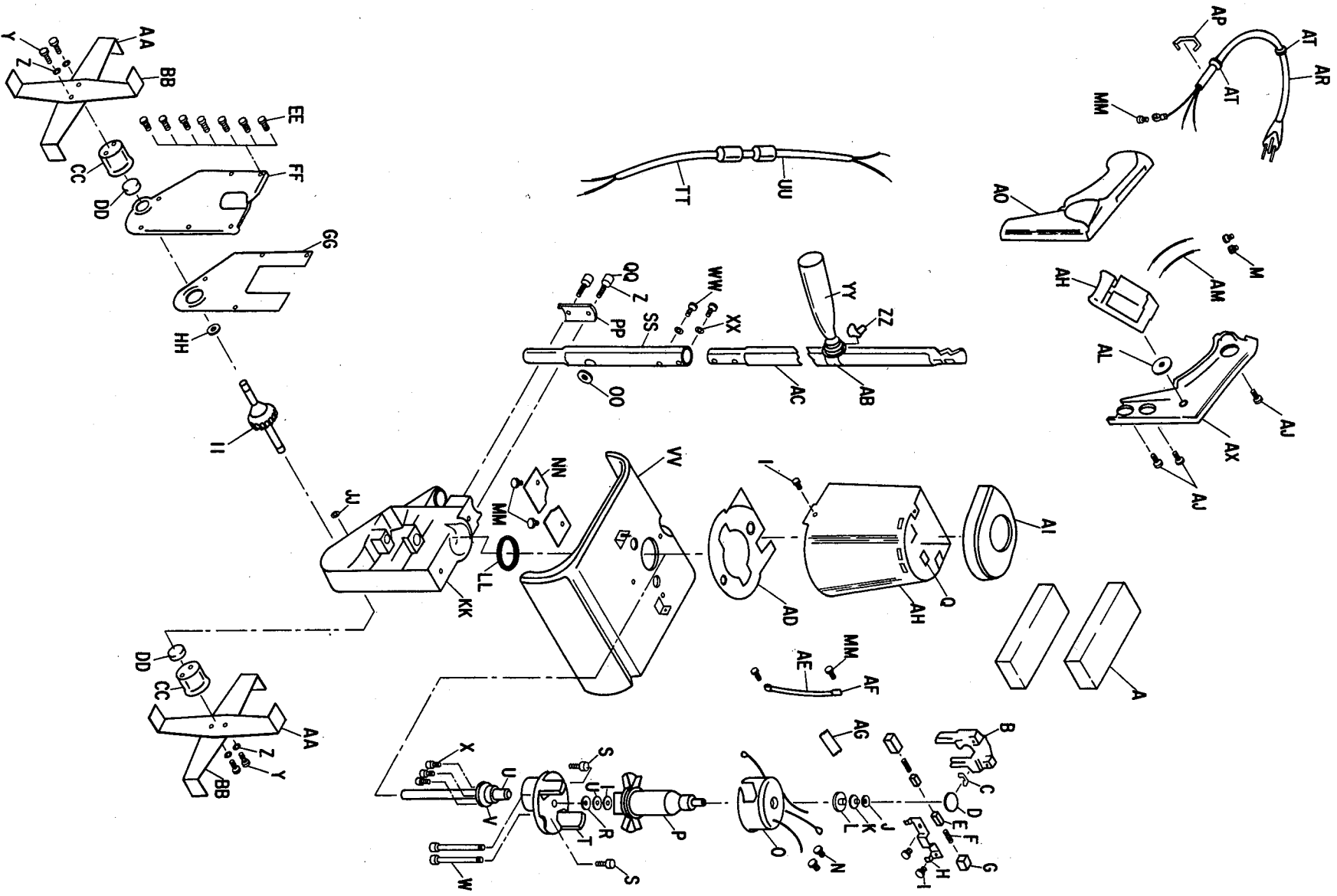
MODEL TH 70

THE MODEL TH 70 HEDGE TRIMMER HEAD IS DESIGNED FOR USE WITH ANY ONE OF THE GENERAL ELECTRIC POWER UNITS. IT HAS A DIE-CAST ALUMINUM HOUSING, A TWO-STAGE REDUCTION GEAR ASSEMBLY, WHICH CAUSES THE BLADES TO OPERATE AT 750 STROKES PER MINUTE. THE BLADES ARE 15" LONG, ARE BLACK-OXIDE FINISHED AND SELF-SHARPENING. A BALE TYPE PLASTIC HANDLE IS INCLUDED.

FOR SPARE AND RENEWAL PARTS, CONTACT YOUR NEAREST GENERAL ELECTRIC HOUSEWARES SERVICE CENTER; SEE ATTACHMENT FOR ADDRESS, TELEPHONE, ETC.

<u>PART NO.</u>	<u>DESCRIPTION</u>
XM 1X122	SCREW, BLADE ASSEMBLY
XM 1X304	SCREW, CAPTIVE
XM 1X305	SCREW, INTERMEDIATE PLATE
XM 1X306	SPRING WASHER, DRIVE PLATE
XM 1X307	SPRING WASHER, BLADE ASSEMBLY
XM 1X308	SCREW, BLADE ASSEMBLY
XM 1X309	LOCKNUT, BLADE ASSEMBLY
XM 1X310	BOLT, HANDLE
XM 1X311	WASHER, HANDLE
XM 6X 34	DRIVE SHAFT ASSEMBLY
XM 6X 35	DRIVE PLATE
XM 6X 36	INTERMEDIATE SHAFT ASSEMBLY
XM 6X 37	BLADE ASSEMBLY
XM14X 93	INTERMEDIATE PLATE ASSEMBLY
XM14X 94	NAMEPLATE
XM14X 99	WARNING PLATE
XM15X 18	HANDLE
XM19X140	CASE ASSEMBLY
XM25X631	RETAINING RING
XM25X721	FELT DIRT SEAL
XM25X722	FOLLOWER

HC



WEEDER CULTIVATOR

Model HC 05

When ordering parts, always include part number, model number, and full description.

Send orders direct to:

Mc Graw Edison
Power Tool Division
Parts and Service Dept.
1501 East Main Street
St. Charles, Illinois 60174

or call: Area Code (312) 584-1750

Minimum order is \$2.00 with terms of net 30 F.O.B. St. Charles, Illinois.

<u>Ref. No.</u>	<u>Ref. Letter</u>	<u>Part No.</u>	<u>Description</u>
HC-1	A	01-01525	Filter
HC-2	B	06-00474	Stator Bracket
HC-3	C	01-00452	Oil Felt
HC-4	D	09-00044	Bronze Bearing
HC-5	E	14-00094	Carbon Brush
HC-6	F	14-00068	Brush Spring
HC-7	G	14-00045	Brush Holder
HC-8	H	27-00054	Spring, Brush Holder & Bearing
HC-9	I	22-00713	Screw
HC-10	J	27-00008	Loading Spring
HC-11	K	17-00313	Fibre Washer
HC-12	L	17-00100	Fibre Washer
HC-13	N	16-00004	Connector
HC-14	O	08-00222	Field Assembly
HC-15	P	07-00217	Armature Assembly
HC-16	Q	22-00586	Speed Nut
HC-17	R	17-00101	Fibre Washer
HC-18	S	22-00158	Screw
HC-19	T	S-06-00478	Gear Box Assembly
HC-20	U	17-00090	Steel Washer
HC-21	V	S-03-00525	Motor Shaft Assembly
HC-22	W	22-00089	Screw
HC-23	X	22-00387	Screw
HC-24	Y	22-00560	Screw
HC-25	Z	17-00181	Lock Washer
HC-26	AA	43-00359	Blade
HC-27	BB	43-00358	Blade
HC-28	CC	06-00910	Adapter
HC-29	DD	17-00208	Washer
HC-30	EE	22-00474	Screw
HC-31	FF	S-06-00476	Cover
HC-32	GG	17-00411	Gasket
HC-33	HH	17-00005	Steel Washer
HC-34	I I	S-01-01528	Drive Shaft
HC-35	JJ	10-00060	Ball
HC-36	KK	S-06-00911	Drive Housing Assembly (Includes Drive Shaft Bearing 9-20 and Motor Shaft Bearing 9-59)
HC-37	LL	17-00304	Felt Washer
HC-38	MM	22-00594	Screw
HC-39	NN	43-00378	Dust Shield
HC-40	PP	43-00398	Clamp
HC-41	QQ	22-00476	Screw
HC-42	RR	06-00909	Adapter



WEEDER CULTIVATOR (Continued)

Model HC 05

<u>Ref. No.</u>	<u>Ref. Letter</u>	<u>Part No.</u>	<u>Description</u>
HC-43	SS	43-00363	Handle, Lower Half
HC-44	TT	11-00090B	Cord Set
HC-45	UU	11-00088B	Cord Set
HC-46	VV	43-00364	Upper Guard
HC-47	WW	22-00616	Screw
HC-48	XX	17-00086	Lock Washer
HC-49	YY	AH-00-00022B	Handle
HC-50	ZZ	43-00394	Bridge
HC-51	AB	43-00400	Strap
HC-52	AC	43-00497	Handle, Upper Half
HC-53	AD	01-00932	Bottom Baffle
HC-54	AG	23-00115	Tape
HC-55	AH	43-00374	Motor Housing
HC-56	AI	05-00948	Cap
HC-57	AJ	22-00676	Screw
HC-58	AK	44-00229	Handle Support
HC-59	AL	28-00095	Rubber Pad
HC-60	AN	18-00253	Switch
HC-61	AO	44-00230	Handle Cover
HC-62	AR	11-00225	Cord Set
HC-63	AS	11-00226	Plug
HC-64	AT	23-00272	Insulator

LAWN EDGER TRIMMER

Model HE 06

When ordering parts, always include part number, model number and full description.

Send orders direct to:

Mc Graw Edison
Power Tool Division
Parts and Service Dept.
1501 East Main Street
St. Charles, Illinois 60174

or call: Area Code (312) 584-1750

Minimum order is \$2.00 with terms of net 30 F.O.B., St. Charles, Illinois.

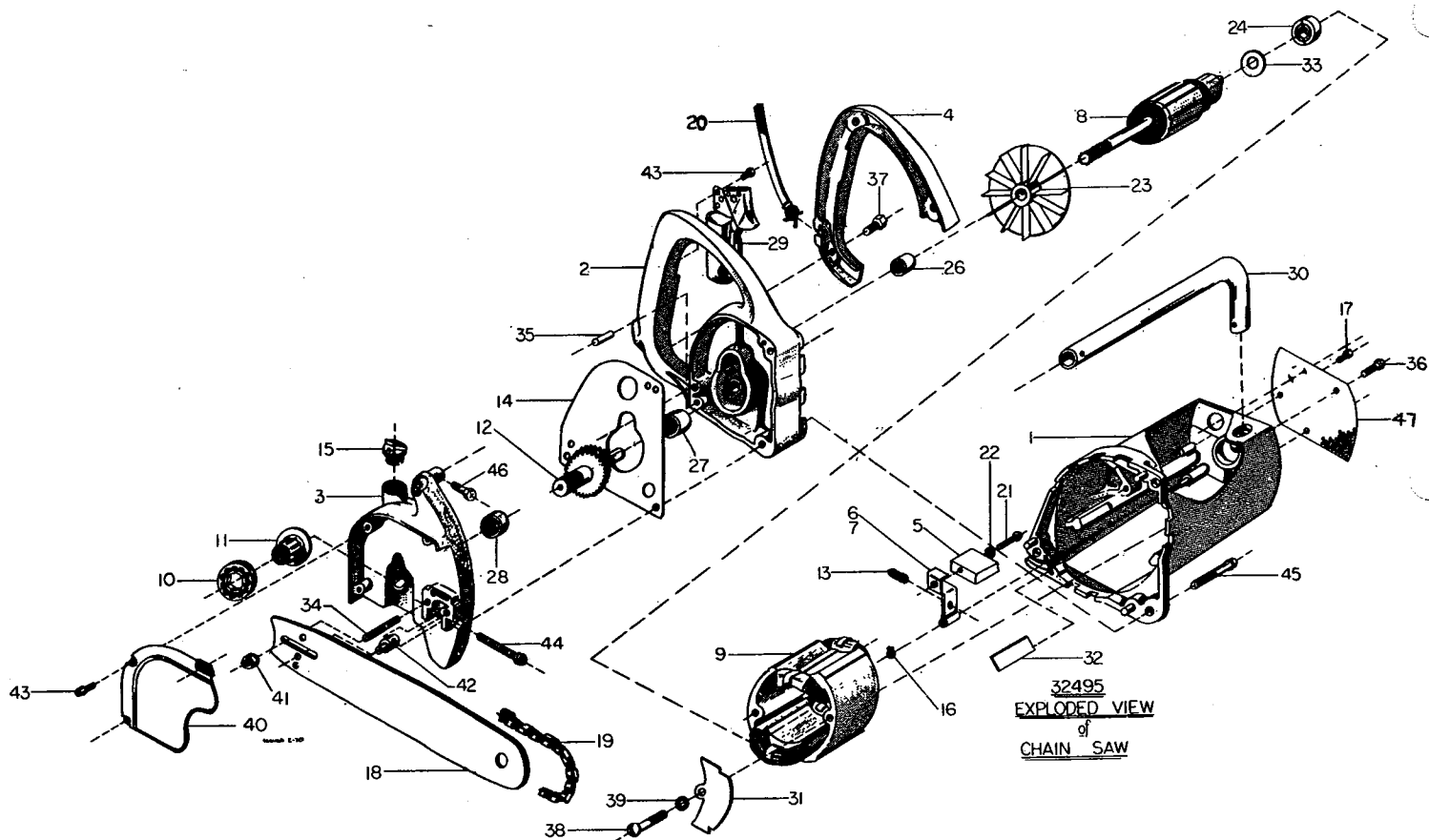
<u>Ref. No.</u>	<u>Ref. Letter</u>	<u>Part No.</u>	<u>Description</u>
HE-1	B	22-00676	Screw, 2 Required
HE-2	C	44-00229-B	Handle, Support Half
HE-3	D	28-00095	Rubber Pad
HE-4	E	18-00135	Switch
HE-5	F	39-00126	Lead Wire
HE-6	G	16-00004	Connector
HE-7	H	44-00230-B	Handle, Cover Half
HE-8	I	11-225	Power Cord
HE-9	J	28-00077	Grommet
HE-10	K	17-00312	Fibre Washer
HE-11	L	11-00089-B	Cord Set, Lower Portion
HE-12	M	22-00594	Ground Screw
HE-13	N	11-00088-B	Cord Set, Upper Portion
HE-14	O	01-00009	Ring
HE-15	P	43-00497-CN	Upper Handle
HE-16	Q	AH-00-00022-B	Auxiliary Handle
HE-17	R	43-00400	Strap
HE-18	S	43-00394	Bridge
HE-19	T	17-00086	Lock Washer
HE-20	U	22-00616	Screw
HE-21	V	43-00562-CN	Lower Handle
HE-22	W	23-00272	Insulator
HE-23	EE	01-01575	Axle
HE-24	HH	22-00781	Push Nut
HE-25	KK	22-00593	Lock Nut
HE-26	LL	17-00317	Clutch Washer
HE-27	MM	17-00266	Brass Washer
HE-28	NN	43-00494-BO	Blade
HE-29	OO	17-00279	Steel Washer
HE-30	PP	43-00341	Dust Shield
HE-31	QQ	22-00594	Screw
HE-32	RR	22-00615	Lock Nut
HE-33	SS	43-486AS	Upper Guard Assembly
HE-34	VV	23-00276	Baffle
HE-35	WW	27-00092	Lock Washer
HE-36	XX	22-00426	Screw
HE-37	AC	23-00115	Tape
HE-38	AD	06-00474	Field Bracket
HE-39	AE	01-00452	Felt Wick
HE-40	AF	09-00044	Bearing
HE-41	AG	27-00054	Brushholder & Bearing Retainer
HE-42	AH	8-222	Field Assembly
HE-43	AI	27-00008	Loading Spring
HE-44	AJ	17-00101	Fibre Washer



LAWN EDGER TRIMMER (Continued)

Model HE 06

<u>Ref. No.</u>	<u>Ref. Letter</u>	<u>Part No.</u>	<u>Description</u>
HE-45	AK	44-00297	Spacer
HE-46	AL	14-00068	Brush Spring
HE-47	AM	14-00045	Brushholder
HE-48	AN	14-00046	Brush
HE-49	AO	7-217	Armature Assembly
HE-50	AR	22-00811	Screw
HE-51	AS	S6-1007	Gear Box Assembly
HE-52	AT	17-00090	Steel Washer
HE-53	AU	S-02-00294	Spindle Shaft Assembly
HE-54	AV	09-00101	Bearing
HE-55	AW	23-00272	Insulator
HE-56	AX	01-00931	Retaining Ring
HE-57	AY	17-00301	Washer
HE-58	AAA	44-00227	Roller
HE-59	BBB	17-00290	Washer
HE-60	CCC	43-368AR	Motor Housing
HE-61	DDD	6-1011AR	Wheel Bracket
HE-62	EEE	44-00264	Wheel
HE-63	FFF	17-00194	Washer
HE-64	GGG	22-00822	Screw
HE-65	HHH	AH-00-00037-B	Knob
HE-66	III	17-00421	Spacer
HE-67	JJJ	16-00021	Terminal
HE-68	KKK	13-00020	Lead
HE-69	LLL	17-00100	Washer
HE-70	MMM	11-226	Plug
HE-71	NNN	5-948-AS	End Cap
HE-72	OOO	1-1525	Filter
HE-73	PPP	22-586	Speed Nut



32495
EXPLODED VIEW
of
CHAIN SAW

HS

CHAIN SAW

Model HS-13

When ordering parts, always specify the quantity, model number, part number and description.

Send orders direct to:

Generac Corporation
P. O. Box 8
Waukesha, Wisconsin

or call: Area Code (414) 968-3101

There is a minimum order of \$5.00 with terms of 1% 10 days, net 30 F.O.B. Waukesha.

<u>Ref. No.</u>	<u>Part No.</u>	<u>Description</u>
HS-1	32461	Motor Housing
HS-2	32463	Center Section
HS-3	32465	Front Housing
HS-4	32467	Handle
HS-5	32476	Brush
HS-6	32475	Brush Holder R. H.
HS-7	32474	Brush Holder L. H.
HS-8	32346	Armature
HS-9	32347	Field Assembly
HS-10	32480	Sprocket
HS-11	32483	Drive Hub
HS-12	32655	Idler Shaft Assembly
HS-13	32487	Brush Holder Spring
HS-14	32468	Gasket
HS-15	32479	Oil Fill Cap
HS-16	32491	Snap Ring
HS-17	22774	No. 8 Sheet Metal Sc.
HS-18	32477	Chain Bar - 13"
HS-19	32478	Chain - 13"
HS-20	32489	Cord Assembly
HS-21	26713	No. 6-32 x 1-1/8 Brass Sc.
HS-22	23636	No. 6 Brass-Shakeproof
HS-23	25174	Fan
HS-24	25177	Bearing
HS-25	32493	Relay & Box Assy (Not Shown)
HS-26	25229	Bronze Bearing
HS-27	25230	Bronze Bearing
HS-28	25231	Bronze Bearing
HS-29	25238	Switch
HS-30	26277	Tubular Handle
HS-31	26796	Air Deflection
HS-32	26849	Wire Hold Down Tab
HS-33	27139	Bearing Spacer
HS-34	25751	Stud
HS-35	22104	Dowel Pin
HS-36	24611	No. 10-32 x 1" Taptite
HS-37	24679	No. 10-32 x 3/4" Taptite
HS-38	22151	No. 10-32 x 2 1/2" RHMS
HS-39	22769	No. 10 Shakeproof
HS-40	32500	Chain Guard
HS-41	32499	5/16-24 Flanged Hex Nut
HS-42	32486	Adjusting Nut
HS-43	26902	No. 8-32 x 1/4 Taptite
HS-44	28409	Socket Head Screw
HS-45	27117	1/4 - 2" Taptite
HS-46	24489	No. 10-32 x 3/8" Taptite
HS-47	32482	Rear Screen
HS-48	34919	Retainer

GENERAL ELECTRIC HOUSEWARES SERVICE CENTERS

NORTH ATLANTIC

Pennsauken, N.J.	08101	7100 Airport Hwy.	F. A. Frumento	(665-0440)
Baltimore, Md.	21234	6910 Harford Road	C. J. Cabral	(444-6600)
Boston, Mass.	02134	215 Brighton Avenue	N. D. Garant	(782-7511)
Bridgeport, Conn.	06610	2126 Boston Ave.	C. A. Clark	(335-3105)
Brooklyn, N.Y.	11201	38 Bond St.	R. E. Pandolfi	(852-0011)
Broomall, Pa.	19008	700 Parkway So., Lawrence Indl. Park	J. P. Sullivan	(353-3836)
Latham, N.Y.	12110	7 Herbert Drive So.	J. E. Plunkett	(785-5186)
New York, N.Y.	10017	Grand Central Terminal	W. F. Braidic	(689-6343)
Philadelphia, Pa.	19149	2010 Levick Street	R. R. Filoso	(288-4700)
Pittsburg, Pa.	15224	4319 Penn Avenue	M. R. LaRue	(621-5334)
Reading, Mass.	01867	100 Main Street	R. F. Welch	(944-6770)
Washington, D. C.	20007	1805 Wisconsin Ave., N.W.	G. Collini	(234-7404)
Yonkers, N.Y.	10704	5 Xavier Dr. (Cross Co. Shop. Ctr.)	A. Barbieri	(476-8400)

SOUTHEAST

Atlanta, Ga.	30318	1777 Ellsworth Ind. Dr., N.W.	J. L. Lipham	(355-3480)
Memphis, Tenn.	38103	669 Madison Avenue	M. P. Williams	(525-6789)
Miami, Fla.	33145	2151 S. W. 27th Avenue	W. H. Payne	(443-2543)
Nashville, Tenn.	37206	508 Main Street	R. C. Pigg	(244-7424)
Norfolk, Va.	23502	4552 East Princess Anne Road	H. A. Spiva	(855-3171)
Richmond, Va.	23230	4011 W. Broad Street	R. J. Shiembob	(353-5508)
Tampa, Fla.	33609	3602 W. Kennedy Blvd.	L. A. Gilbert	(877-6001)

MIDWESTERN

Chicago, Ill.	60641	Cor. Kilbourn & Milwaukee Aves.	R. P. Russe	(282-2110)
Cleveland, Ohio	44114	1435 E. 17th St.	N. G. Oriold	(241-5414)
Columbus, Ohio	43222	479 W. Broad Street	R. J. Misunas	(224-4118)
Detroit, Mich.	48227	13300 Puritan Avenue	D. H. Baughman	(342-6151)
Evanston, Ill.	60201	1567 Sherman Avenue	M. J. Marcanto	(328-9310)
Hammond, Ind.	46324	7324 Indianapolis Blvd.	J. R. Metteal	(845-2200)
Indianapolis, Ind.	46202	1827 N. Meridian Street	R. Schoomer	(924-1386)
Milwaukee, Wisc.	53218	6106 W. Fond Du Lac Avenue	S. J. Auerbach	(464-0950)
Omaha, Nebr.	68131	3724 Farnam Street	L. P. Wattenbarger	(341-3620)
St. Louis, Mo.	63139	2355 Hampton Avenue	F. L. Coonce	(647-6016)
St. Paul, Minn.	55114	2225 University Avenue	R. L. Butler	(645-9371)

SOUTHWEST

Dallas, Texas	75207	961 Dragon Street (Serv. Distr. Ctr.)	V. P. Platt	(742-7121)
Denver, Colo.	80204	975 Federal Blvd.	D. A. Hightower	(255-4616)
El Paso, Texas	79925	6591 Montana Street	B. L. Rosenbaum	(772-3256)
Houston, Texas	77027	2930 Hillcroft Avenue	R. C. Elliott	(785-5536)
Kansas City, Mo.	64108	2619 McGee Trafficway	B. R. Hall	(842-6690)
Metairie, La.	70002	3300 No. Causeway Blvd.	W. W. Parrie	(834-9080)
Oklahoma City, Okla.	73106	719 No. Virginia Avenue	G. J. Goggans	(236-4581)
San Antonio, Texas	78212	1902 McCullough Avenue	T. O. King	(733-9127)

WESTERN

San Jose, Calif.	95112	1727 North First Street	T. E. Gathier	(298-4203)
Long Beach, Calif.	90804	E. Pacific Coast Hwy.	W. G. Paine	(597-4301)
Los Angeles, Calif.	90057	2800 Beverly Blvd.	C. W. Benshoof	(385-3044)
Oakland, Calif.	94606	1045 E. 12th Street	R. A. Hoffer	(451-6642)
Pasadena, Calif.	91107	3486 East Foothill Blvd.	R. E. Turek	(792-7153)
Phoenix, Ariz.	85006	1733 E. McDowell Road	J. D. Wiley	(252-7663)
Portland, Ore.	97214	2137 E. Burnside Street	G. E. Barlow	(235-6682)
Sacramento, Calif.	95815	1785 Arden Way (Arden Fair Shop. Ctr.)	F. W. Ryman	(927-2246)
San Diego, Calif.	92108	1990 Camino Del Rio, No.	J. M. Winfrey	(291-2220)
San Francisco, Calif.	94103	1090 Bryant Street	P. Krakowski	(863-8921)
Seattle, Wash.	98121	2905 Third Avenue	H. E. Taft	(624-3171)

MOWER MOTOR REPLACEMENT PARTS

For 3 3/8 Inch Dia. Motors

<u>Ref. No.</u>	<u>Part No.</u>	<u>Description</u>
1	243A4736P6	Bearing, Commutator End
2	243A4736P7	Bearing, Drive End
3	243A4736P5	Brush Asm.
4	243A4673P1	Brush Spring
5	243A4736P4	Cover Asm.
6	See Note 1	Drive End Shield + Shell Asm.
7	See Note 1	Commutator End Shield
8	See Note 1	Armature
9	See Note 1	Clamp Screw
10	See Note 1	End Play Kit

Note 1: These parts are not stocked.

For 4 1/2 Inch Dia. Motors

1	244A7329P5	Bearing, Commutator End
2	244A7329P4	Bearing, Drive End
3	244A7329P7	Brush Asm.
4	See Note 1	Cover Asm.
5	See Note 1	Drive End Shield
6	See Note 1	Commutator End Shield
7	See Note 1	Shell Asm.
8	See Note 1	Armature
9	See Note 1	Clamp Screw
10	See Note 1	Wave Washer

Note 1: These parts are not stocked.

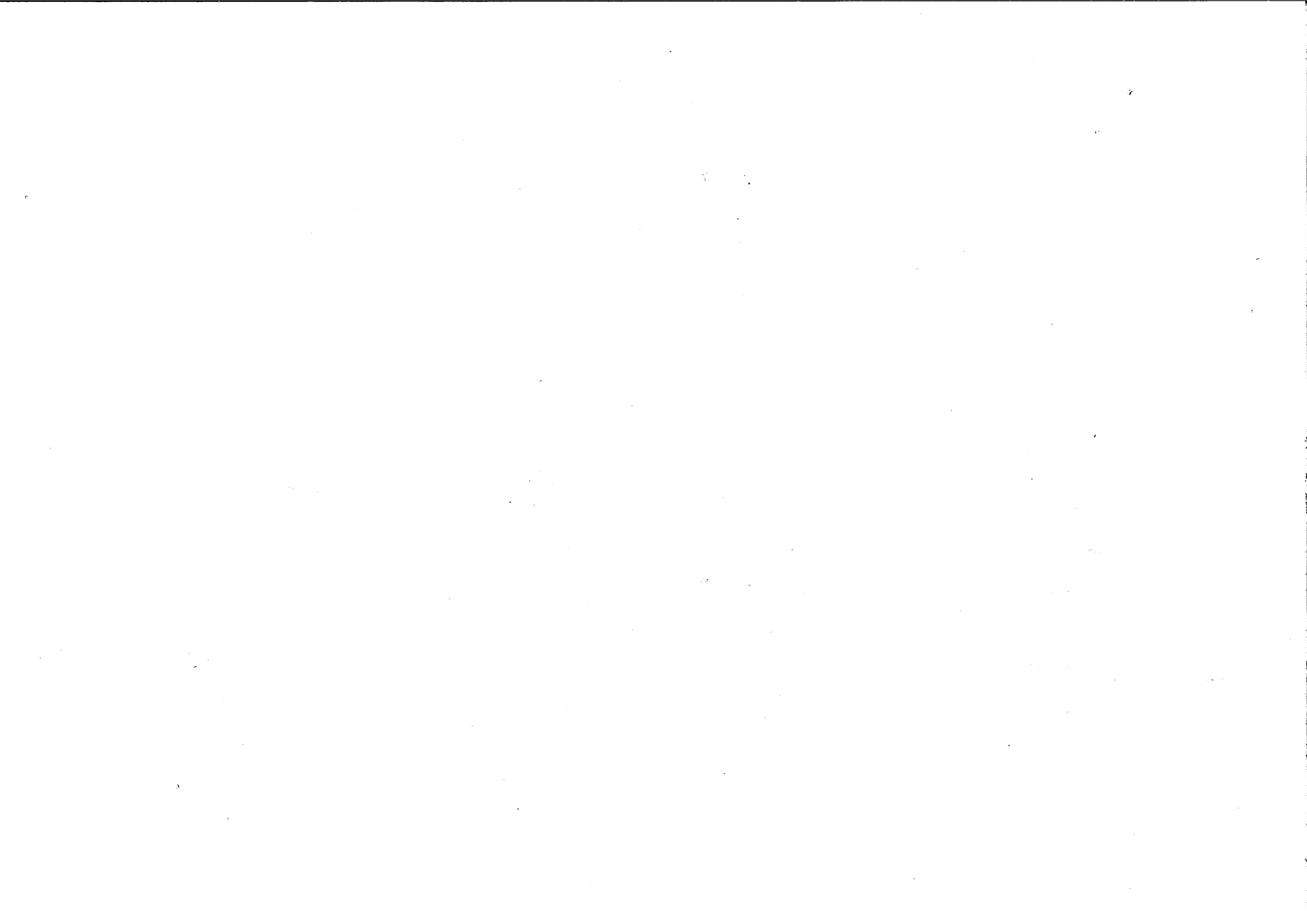


TABLE OF CONTENTS

<u>Figure</u>	<u>Title</u>
E12S-1	Body Components
E12S-2	Dash Components
E12S-3	Electrical Components (Upper Control Panel)
E12S-4	Electrical Components (Lower Control Panel)
E12S-5	Speed Controls

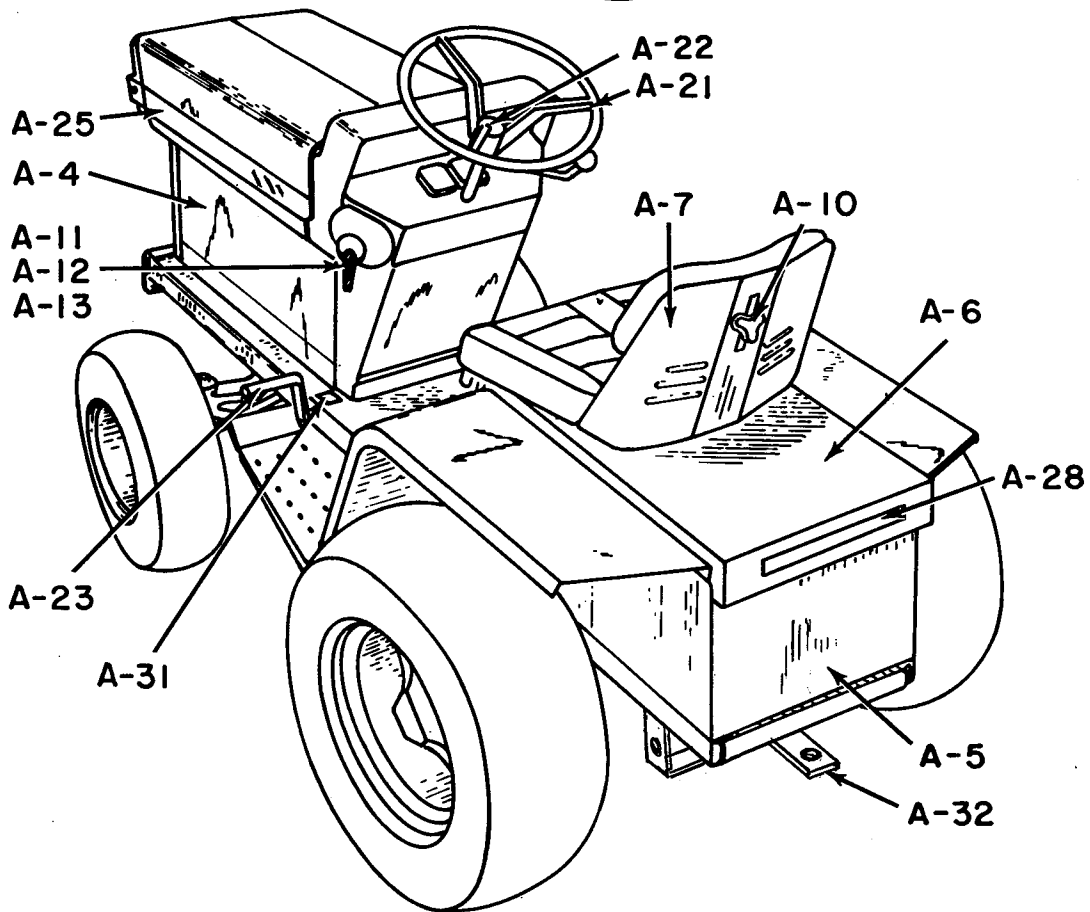
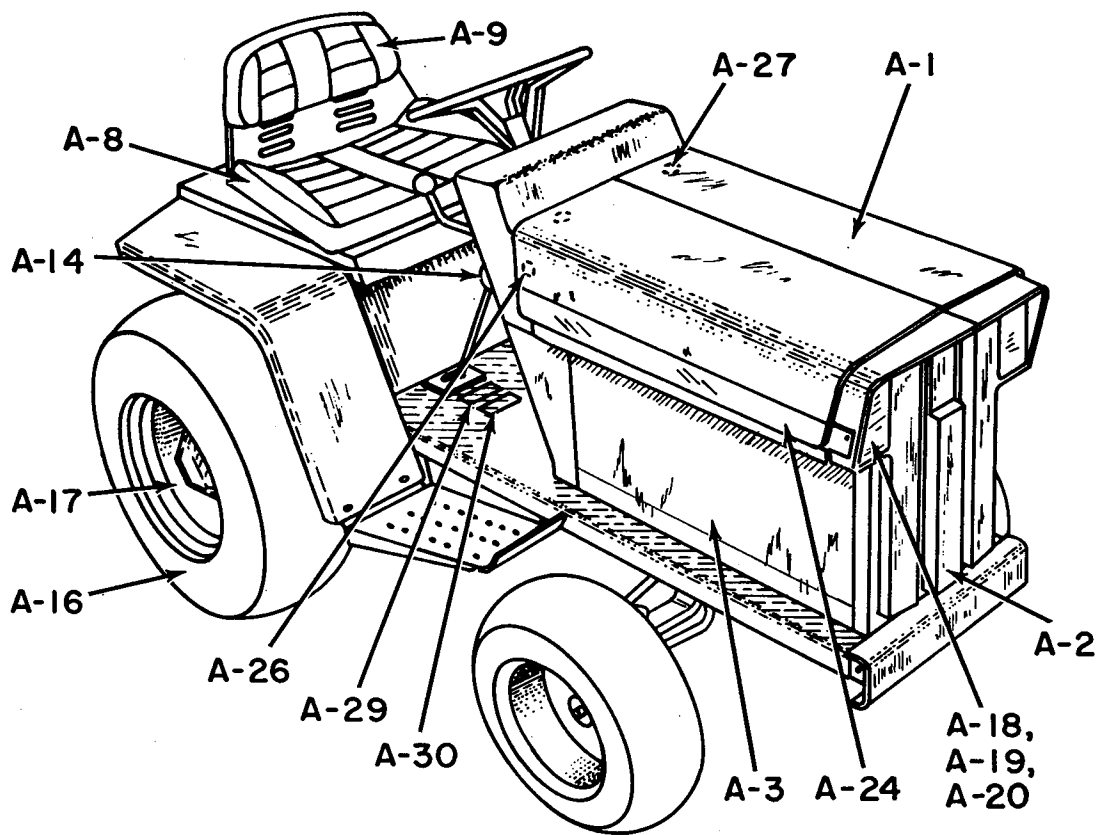


Fig. E12s-1

BODY COMPONENTS

<u>Ref. No.</u>	<u>Part No.</u>	<u>Description</u>
A-1	541C940G3	Hood Assembly
A-2	423D214P2	Front Grill
A-3	422D837P1	Side Body Panel, Right
A-4	422D838P1	Side Body Panel, Left
A-5	423D221G1	Rear Battery Box Assy. (Includes Fenders)
A-6	541C937G8	Rear Battery Box Cover (Less Seat)
A-7	243A4799P1	Seat Pan (Adjustable Back)
A-8	178B8030P1	Cushion Bottom
A-9	243A4800P1	Cushion, Rear (Adjustable)
A-10	243A4801P1	Rear Seat Knob
A-11	178B8137G1	Power Disconnect
A-12	211A3448P1	Fusible Link (Located on Power Disconnect)
A-13	243A4502P1	Power Disconnect Knob
A-14	211A3249P1	Gearshift Knob
A-15	541C951P1	Front Tire (16 x 4.80/4.00-8) and Rim
A-16	541C658G1	Rear Tire (23 x 8.50-12) and Rim
A-17	243A4589P1	Wheel Lug
A-18	211A3413P1	Headlight Lens
A-19	163B9936G1	Reflector and Socket
A-20	211A3592P1	Lamp (GE 1076)
A-21	163B9843P1	Steering Wheel
A-22	243A4853G1	Cap and Monogram Assy. (Used with Steering Wheel)
A-23		Brake Pedal Assembly (See Section N)
A-24	423D239P1	Hood Decal, Right Hand
A-25	423D239P2	Hood Decal, Left Hand
A-26	243A4639P1	Hood Rubber Bumper (Mounted on Both Sides)
A-27	243A4639P2	Hood Rubber Bumper (Mounted on Top)
A-28	211A3250P1	Rear Tail Reflector
A-29	243A4869P1	Decal, "To Facilitate Shifting"
A-30	243A4794P1	Decal, "Shift to Lower Gear"
A-31	211A3247P1	Decal, "Parking Brake"
A-32	163B9919P1	Conv. Hitch

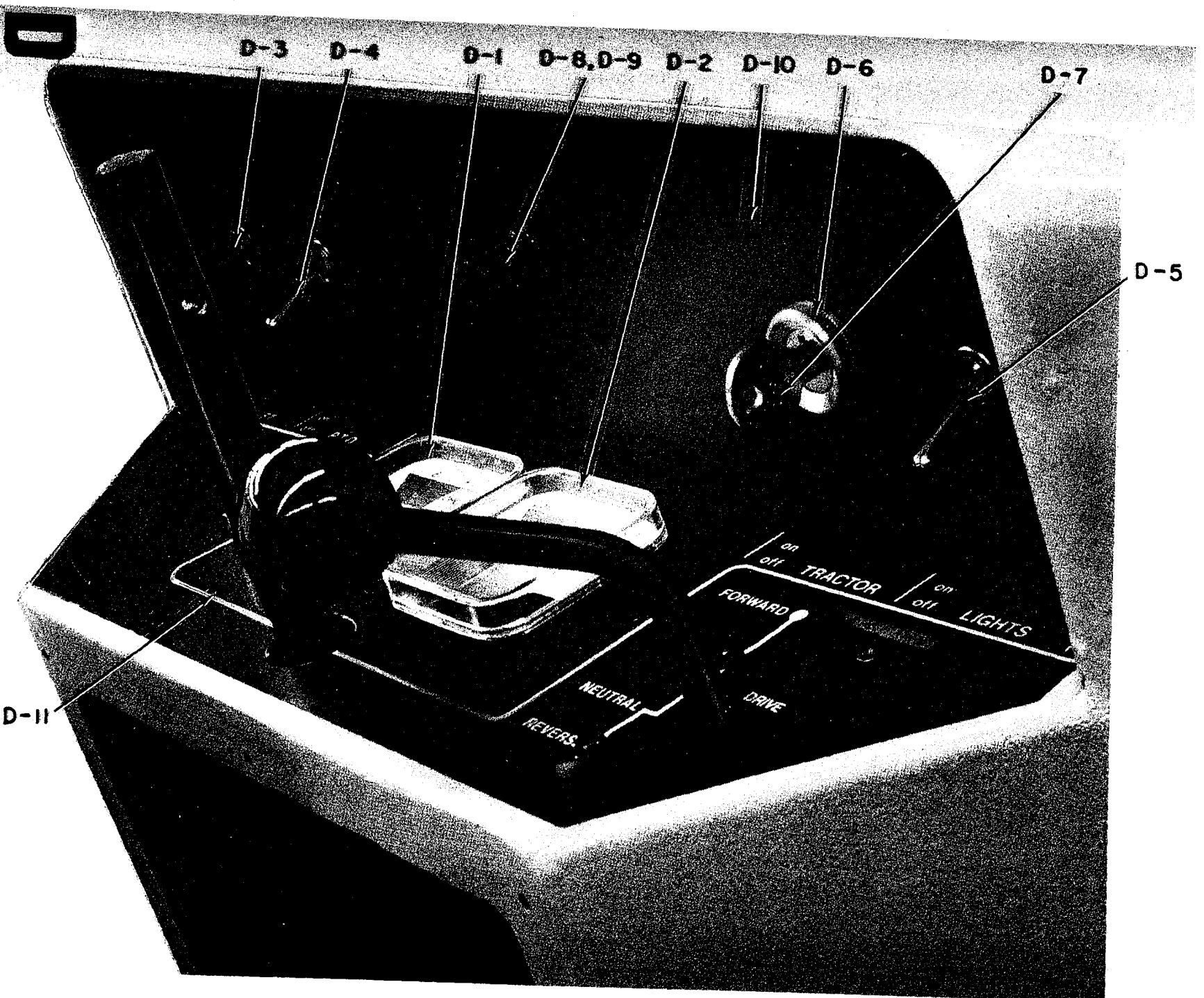


Fig. E12s-2

DASH COMPONENTS

<u>REF. NO.</u>	<u>PART NO.</u>	<u>DESCRIPTION</u>
D-1	243A4629G1	FUEL LEVEL GAUGE
D-2	243A4630G4	POWER USE GAUGE
D-3	243A4531P2	LIFT SWITCH
D-4	243A4531P1	P.T.O. SWITCH
D-5	243A4531P3	LIGHT SWITCH
D-6	243A4573P1	KEY SWITCH
D-7	211A3597P1	KEY
D-8	243A4574P1	LIGHT, DASH
D-9	211A3591P1	LAMP (GE 1815)
D-10	163B9821P1	DASH PANEL
D-11	541C681P1	DECAL, DASH
D-12	541C955G1	DASH HARNESS
D-13	211A3551P1	TUBING (NOT PICTURED—INSULATION ON SWITCH TERMINALS)

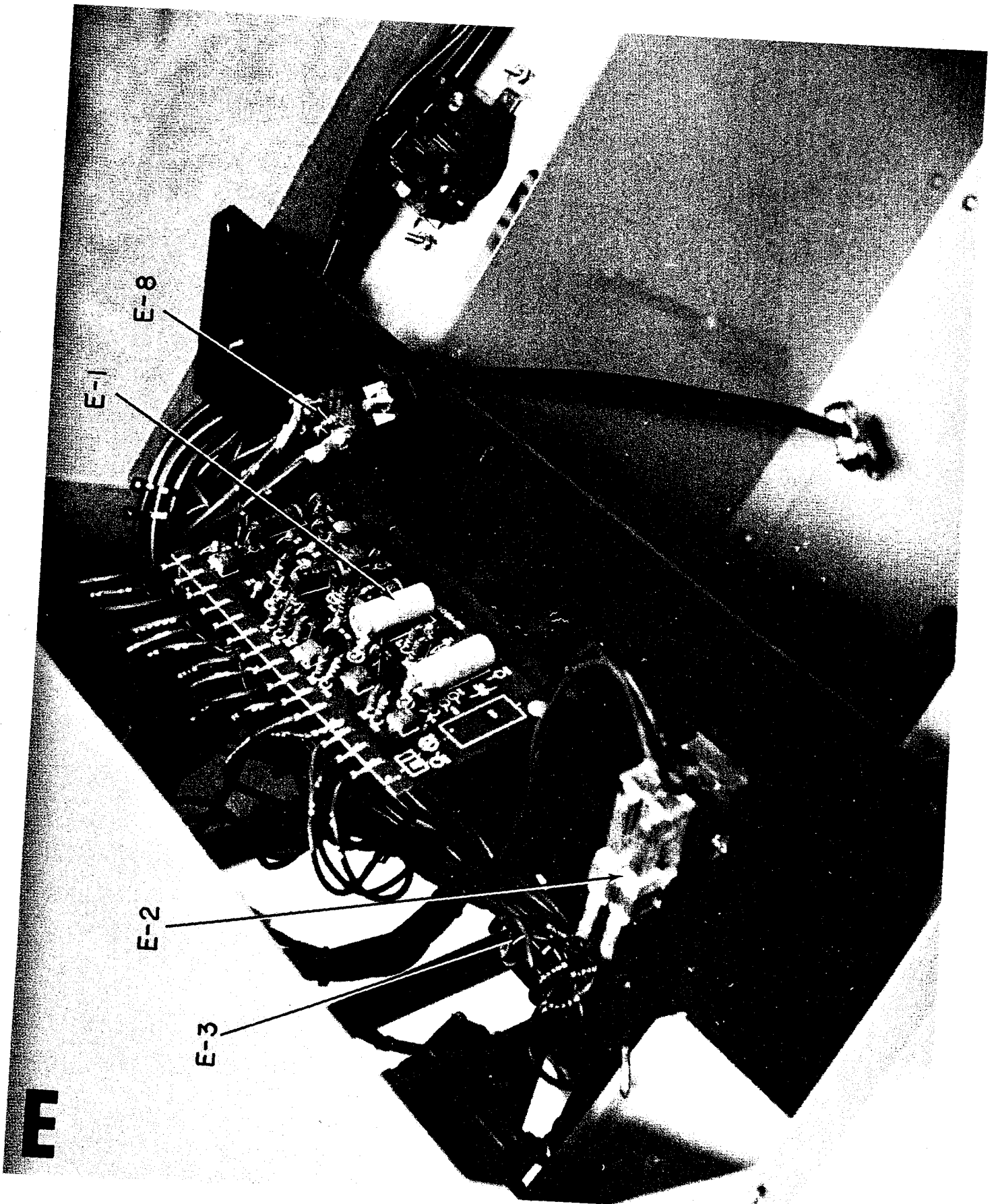


Fig. E12s-3

ELECTRICAL COMPONENTS

(UPPER CONTROL PANEL)

<u>REF. NO.</u>	<u>PART NO.</u>	<u>DESCRIPTION</u>
E-1	163B9814G1	CARD #1
E-2	243A4562P1	RELAY
E-3	423D241G1	CONTROL PANEL HARNESS
E-4	243A4591P1	FUSE BOARD (SEE SECTION B)
E-5	211A3528P1	FUSE DECAL (SEE SECTION B)
E-6	243A4657P1	FUSE 20 AMP, FU3, FU4 (SEE SECTION B)
E-7	243A4597P1	FUSE 30 AMP, SLO BLO, FU2 (SEE SECTION B)
E-8	243A4719P1	CIRCUIT BREAKER (MANUAL RESET)

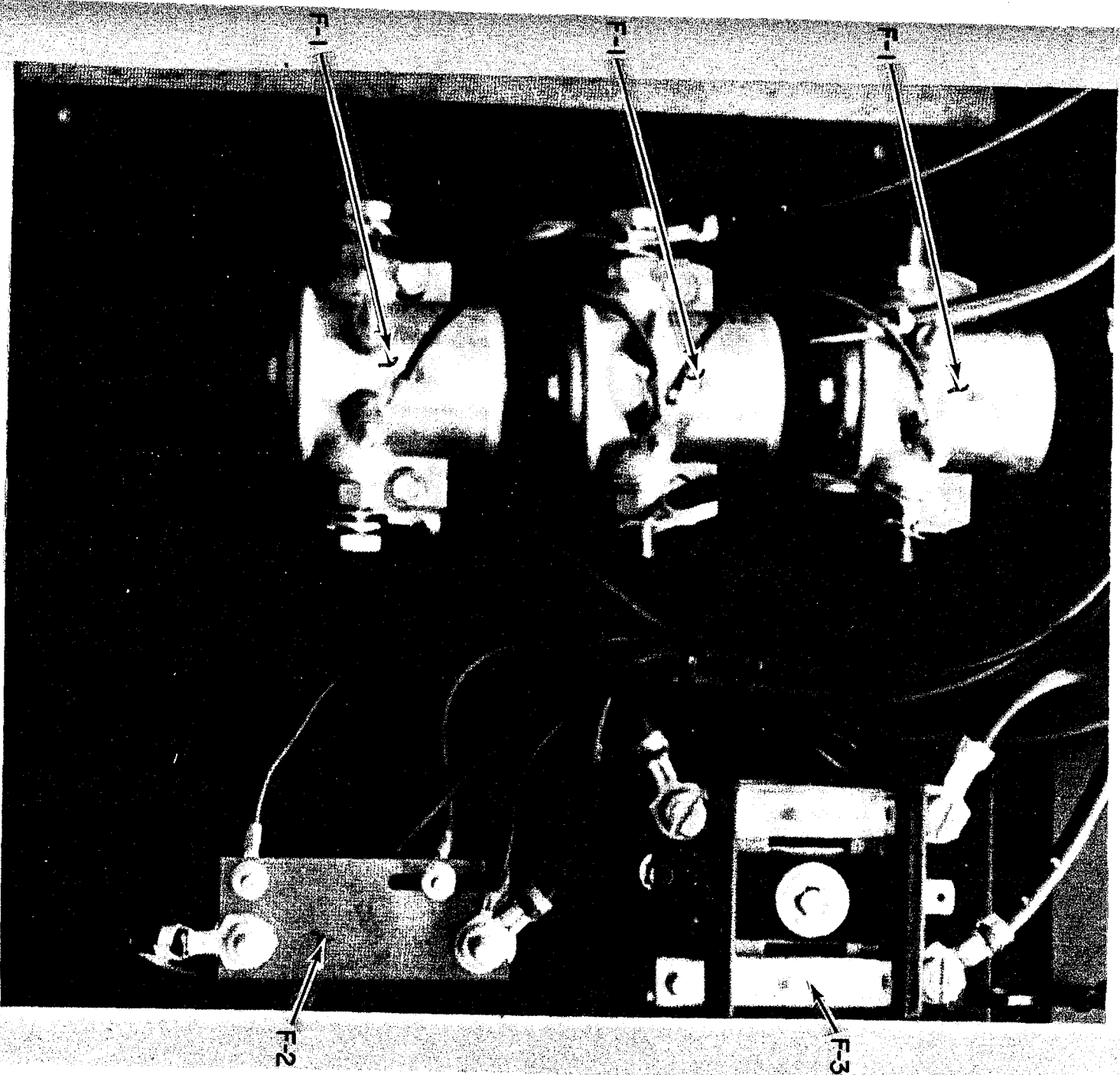


Fig. E12S-4

ELECTRICAL COMPONENTS

(LOWER CONTROL PANEL)

<u>REF. NO.</u>	<u>PART NO.</u>	<u>DESCRIPTION</u>
F-1	211A3567P1	CONTACTOR
F-2	211A3164G1	METER SHUNT ASSEMBLY
F-3	243A4524P1	P.T.O. CONTACTOR

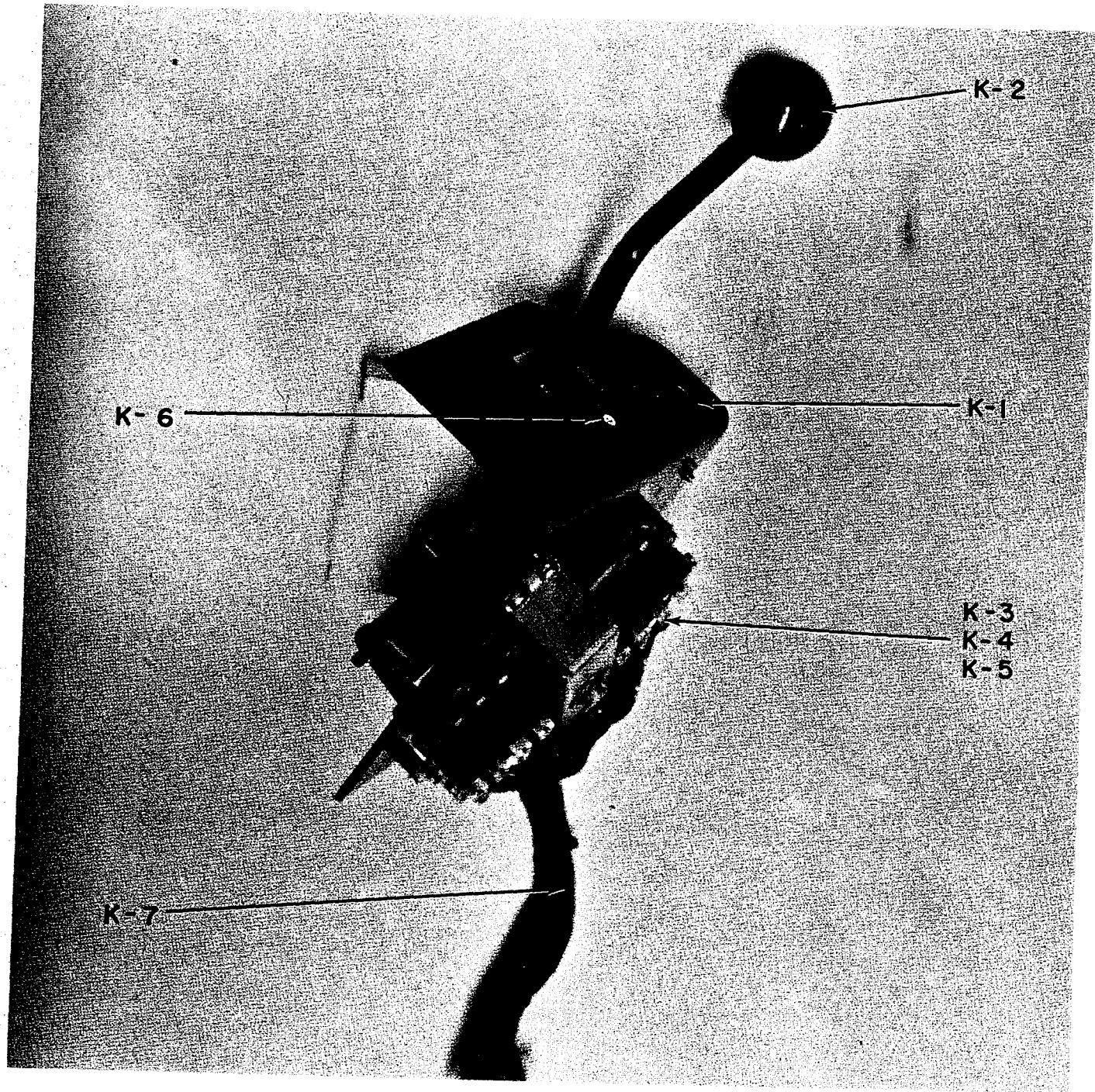


Fig. E12s-5

SPEED CONTROL

<u>REF. NO.</u>	<u>PART NO.</u>	<u>DESCRIPTION</u>
K-1*	423D213G3	SPEED CONTROL (E12AA)
K-1*	423D213G4	SPEED CONTROL (E12BA)
K-2	211A3249P1	SPEED CONTROL KNOB
K-3	211A3198P1	START SWITCH, 3 TABS, N.O., N.C., AND COMMON
K-4	211A3198P2	1A 2A SWITCH, 2 TABS, N.O., O, AND COMMON
K-6	211A3558P1	REVERSE SWITCH
K-7*	541C919G1	THROTTLE HARNESS (E12BA)
K-7*	541C957G1	THROTTLE HARNESS (E12AA)

*IT IS IMPERATIVE, WHEN ORDERING A SPEED CONTROL OR PARTS,
THAT YOU SPECIFY THE MODEL NUMBER OF THE TRACTOR AND SERIAL
NUMBER OF THE TRACTOR TO INSURE RECEIVING THE PROPER PART.

TABLE OF CONTENTS

<u>Figure</u>	<u>Title</u>
E12-1	Body Components
E12-2	Dash Components
E12-3	Electrical Components (Upper Control Panel)
E12-4	Electrical Components (Lower Control Panel)
E12-5	Speed Controls

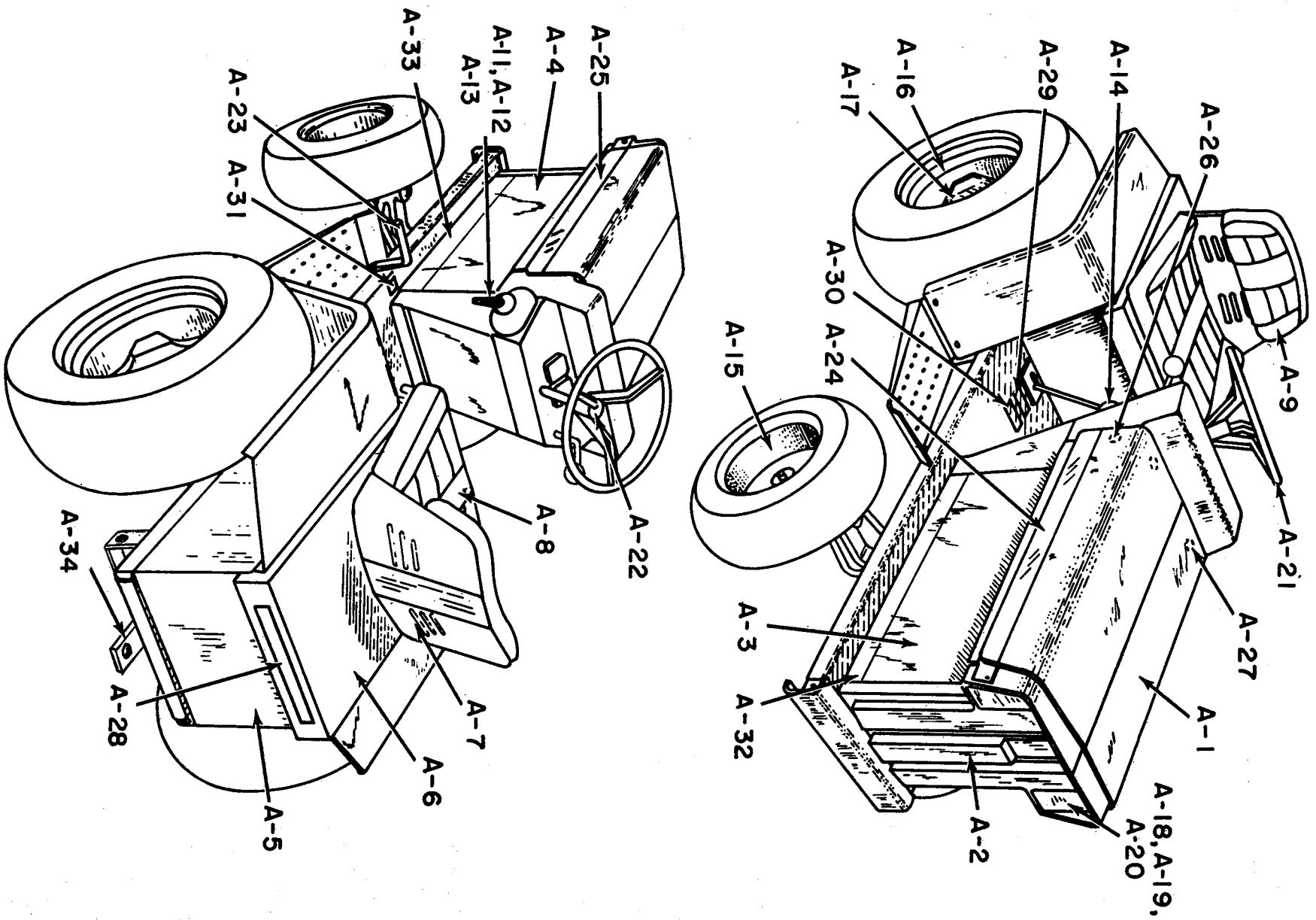


Fig. E12-1

BODY COMPONENTS

<u>Ref. No.</u>	<u>Part No.</u>	<u>Description</u>
A-1	158C9050G2	Hood Assembly
A-2	423D214P2	Front Grill
A-3	422D837P1	Side Body Panel, Right
A-4	422D838P1	Side Body Panel, Left
A-5	423D221G1	Rear Battery Box Assembly, (Includes Fenders)
A-6	541C937G8	Rear Battery Box Cover (Less Seat)
A-7	243A4770P1	Seat Pan (Non-Adjustable Back)
A-8	178B8030P1	Cushion Bottom
A-9	243A4852P1	Cushion, Rear (Non-Adjustable)
A-11	178B8137G1	Power Disconnect
A-12	211A3448P1	Fusible Link (Located on Power Disconnect)
A-13	243A4502P1	Power Disconnect Knob
A-14	211A3249P1	Gearshift Knob
A-15	541C951P1	Front Tire (16 x 4.80/4.00-8) and Rim
A-16	541C658G1	Rear Tire (23 x 8.50-12) and Rim
A-17	243A4589P1	Wheel Lug
A-18	211A3413P1	Headlight Lens
A-19	163B9936G1	Reflector and Light Assembly
A-20	211A3592P1	Lamp (GE 1076)
A-21	163B9843P1	Steering Wheel
A-22	243A4853G1	Cap and Monogram Assembly
A-23		Brake Pedal Assembly (See Section N)
A-24	127D8091P3	Hood Decal, Right Hand
A-25	127D8091P4	Hood Decal, Left Hand
A-26	243A4639P1	Hood Rubber Bumper (Mounted on Both Sides)
A-27	243A4639P2	Hood Rubber Bumper (Mounted on Top)
A-28	211A3250P1	Rear Tail Reflector
A-29	243A4869P1	Decal, "To Facilitate Shifting"
A-30	243A4794P1	Decal, "Shift to Lower Gear"
A-31	211A3247P1	Decal, "Parking Brake"
A-32	127D8095P3	Elec-Trak Insignia RH
A-33	127D8095P4	Elec-Trak Insignia LH
A-34	163B9919P1	Conv. Hitch

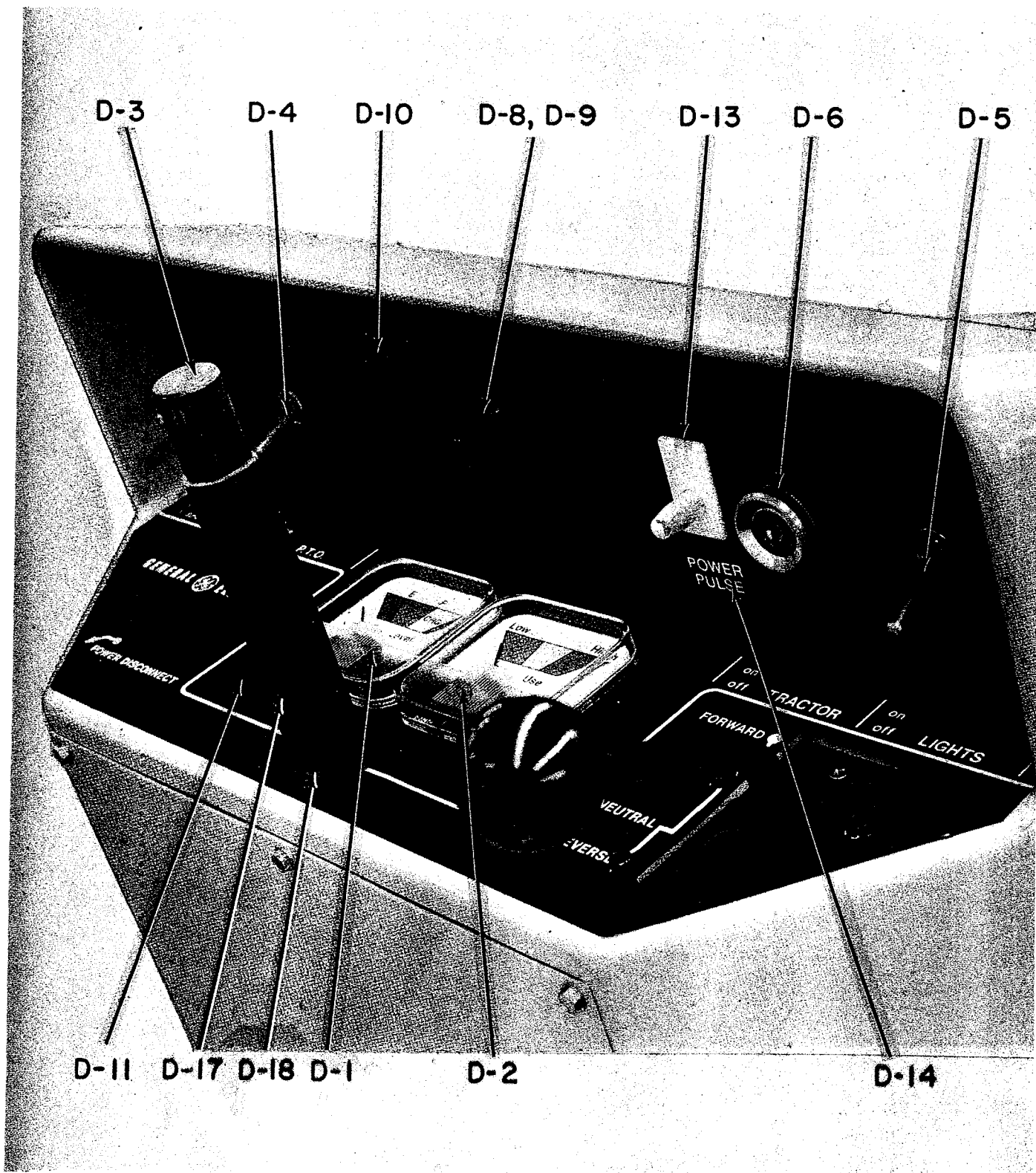


Fig. E12-2

DASH COMPONENTS

<u>Ref. No.</u>	<u>Part No.</u>	<u>Description</u>
D-1	243A4629G1	Fuel Level Gage
D-2	243A4630G4	Power Use Gage
D-3	243A4531P2	Lift Switch
D-4	243A4531P1	P. T. O. Switch
D-5	243A4531P3	Light Switch
D-6	243A4573P1	Key Switch (E12CA, DA)
D-6	244A7308P1	Key Switch (E12HA, JA)
D-7	211A3597P1	Key (E12CA, DA)
D-7	247A7354P1	Key (E12HA, JA)
D-8	243A4574P1	Light, Dash
D-9	211A3591P1	Lamp (GE 1815)
D-10	Order Ref. D-16	Dash Panel
D-11	Order Ref. D-16	Decal, Dash
D-12	541C967G1	Dash Harness (E12CA, DA)
D-12	158C9052G1	Dash Harness (E12HA, JA)
D-13	243A4790P1	Power Pulse Switch
D-14	244A7088P1	Decal, Power Pulse
D-15	211A3551P1	Tubing (Not Pictured--Insulation on Switch Terminals)
D-16	127D8090P2	Dash Panel (Not Shown)
D-17	243A4809P1	Sleeve
D-17	243A4809P2	Sleeve (JA and Later Models)
D-18	243A4576P3	Washer

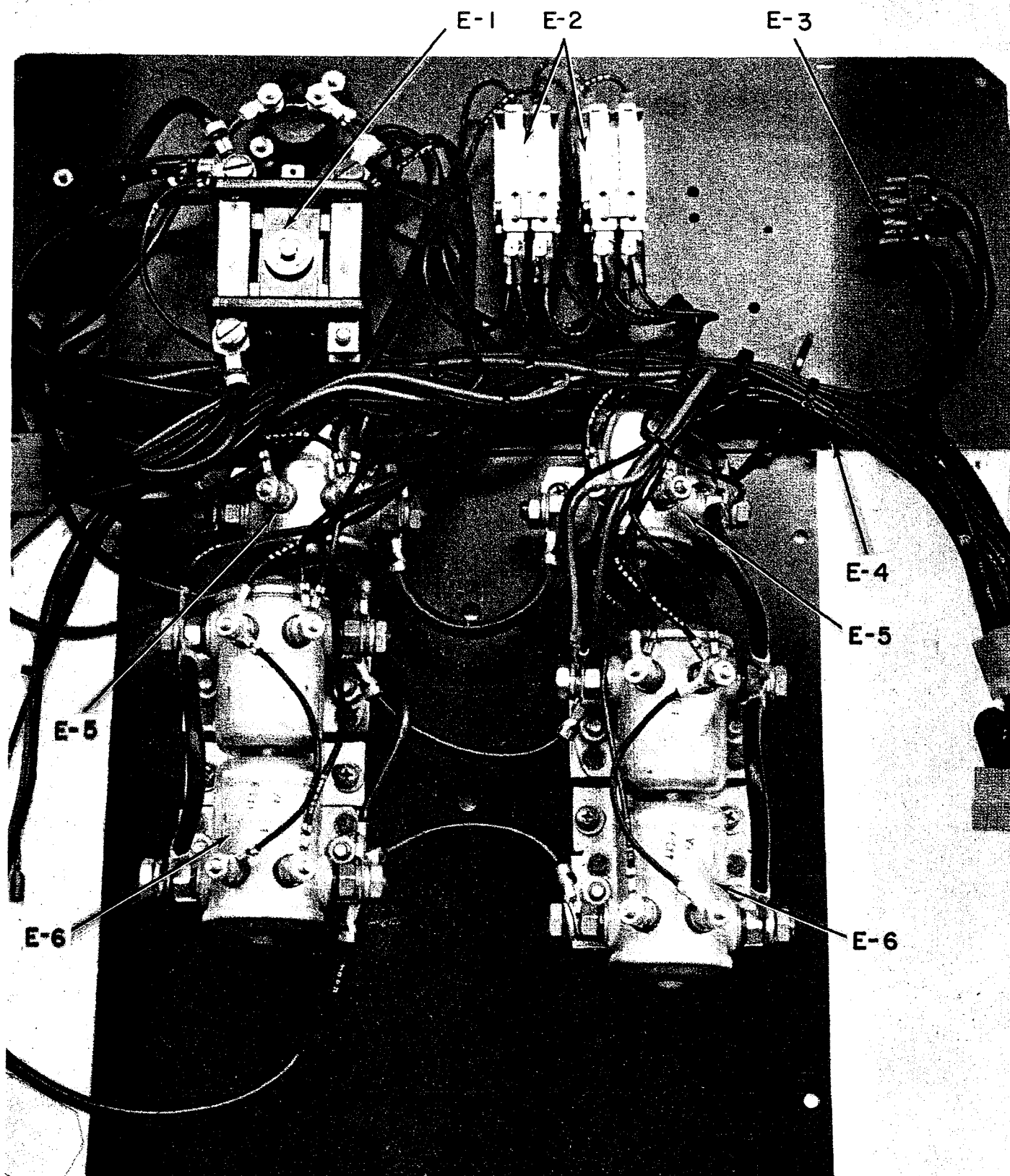


Fig. E12-3

ELECTRICAL COMPONENTS

(Upper Control Panel)

<u>Ref. No.</u>	<u>Part No.</u>	<u>Description</u>
E-1	243A4524P1	P. T. O. Contactor
E-2	243A4562P1	Relay
E-3	243A4970G1	Diode and Varistor Assembly
E-4	423D229G1	Control Panel Harness
E-5	211A3567P1	Contactor
E-6	178B8009P1	Double Contactor

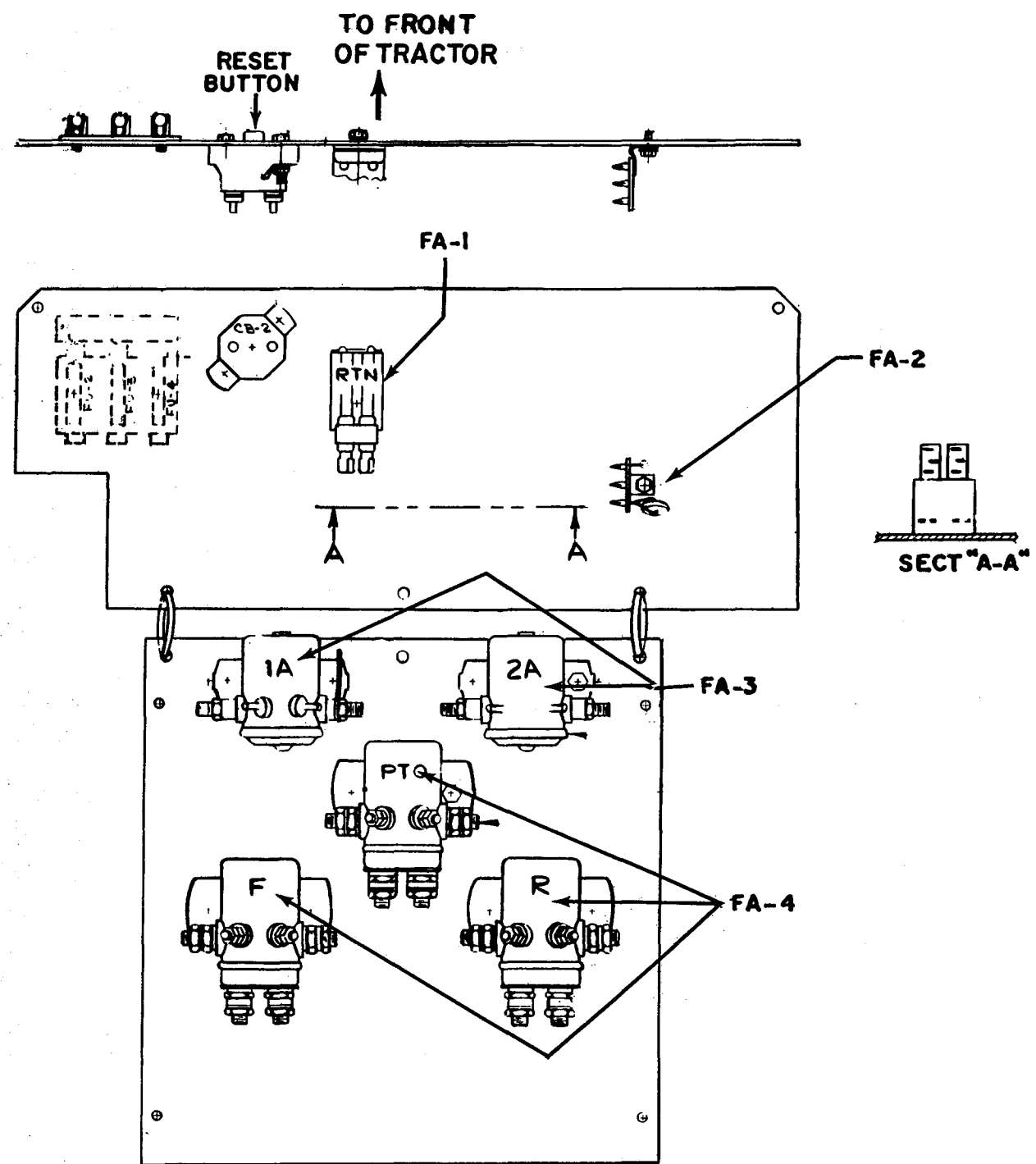


Fig. E12-4

ELECTRICAL COMPONENTS

<u>Ref. No.</u>	<u>Part No.</u>	<u>Description</u>
FA-1	243A4562P1	Relay
FA-2	178B8457G2	Diode and Varistor Asm.
FA-3	211A3567P1	Contactors (1A, 2A)
FA-4	178B8385P1	Contactors (P. T. O., F, R)
FA-5	127D8112G1	Control Panel Harness (Not Shown)
FA-6	178B8310G1	Control Panel Adder Harness (Not Shown)
FA-7	244A7463P1	Fuse Block
FA-8	243A4597P1	Fuse 30
FA-9	243A4657P1	Fuse 20
FA-10	243A4719P1	Circuit Breaker

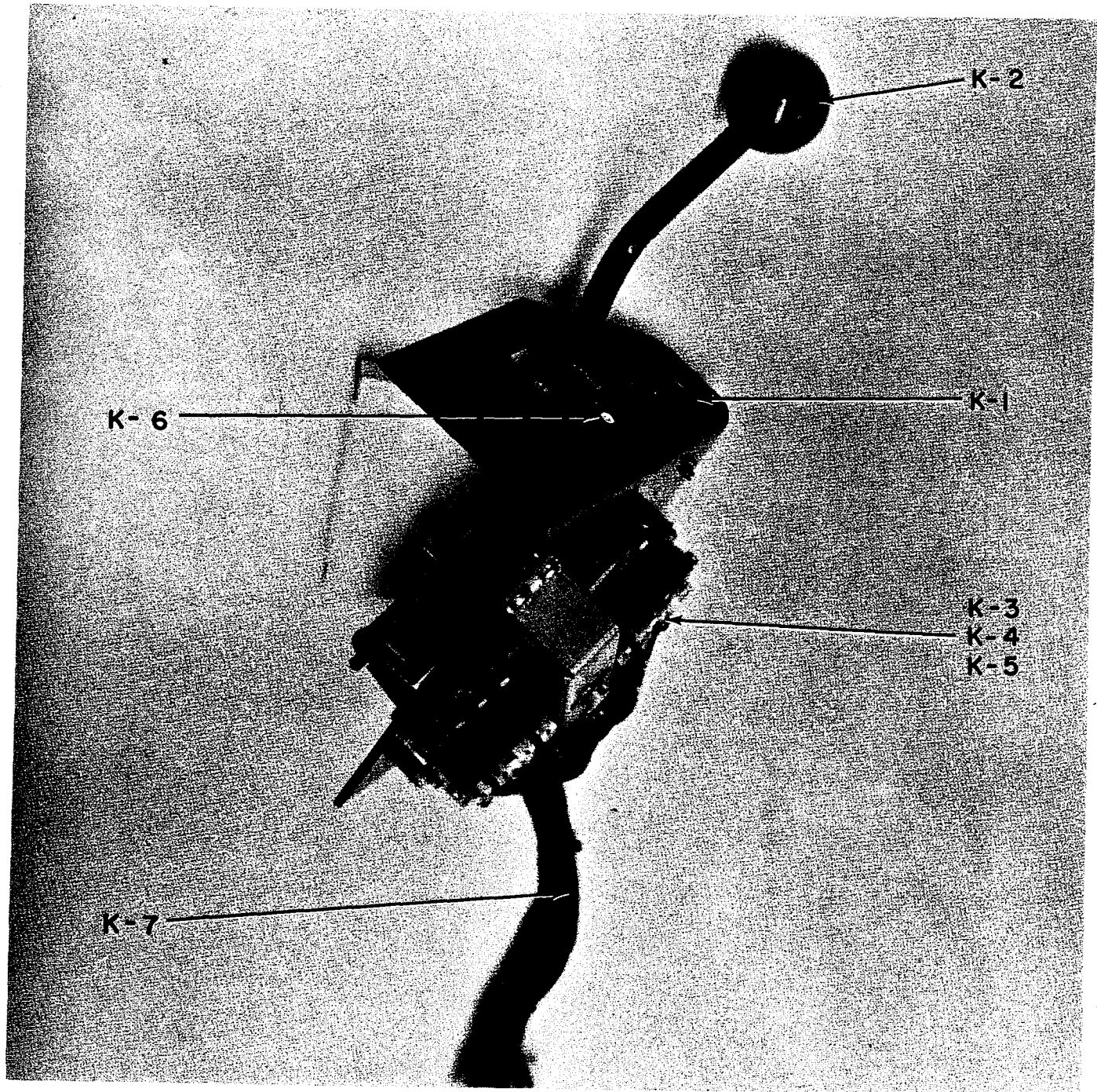


Fig. E12-5

SPEED CONTROL

<u>Ref. No.</u>	<u>Part No.</u>	<u>Description</u>
K-1*	423D259G1	Speed Control (E12CA)
K-1*	423D297G1	Speed Control (E12DA, EA, HA)
K-1*	423D297G3	Speed Control (E12JA)
K-2	211A3249P1	Speed Control Knob
K-3	211A3198P1	Start Switch, 3 Tabs, N.O., N.C., and Common
K-4	211A3198P2	1A, 2A Switch, 2 Tabs, N.O. and Common (Also Rev. Sw. in E12CA)
K-6	211A3558P2	Reverse Switch (E12DA, EA, HA, JA)
K-7*	541C985G1	Throttle Harness (E12CA)
K-7*	155C8065G1	Throttle Harness (E12DA, EA, HA)
K-7*	158C9044G1	Throttle Harness (E12JA)

*It is imperative when ordering a speed control or parts, that you specify the model number of the tractor and serial number of the tractor to insure receiving the proper part.

TABLE OF CONTENTS

<u>Figure</u>	<u>Title</u>
E12M-1	Body Components
E12M-2	Dash Components
E12M-3	Electrical Components (Upper Control Panel)
E12M-4	Speed Controls

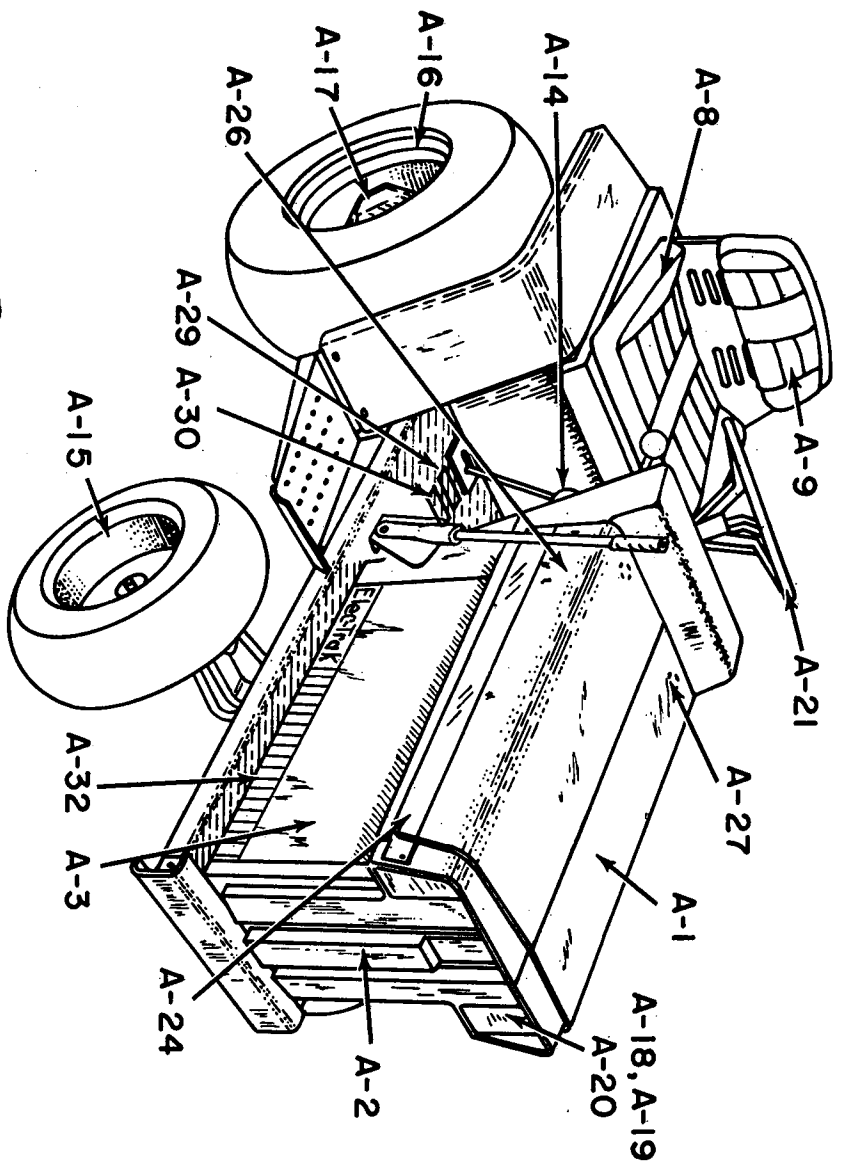
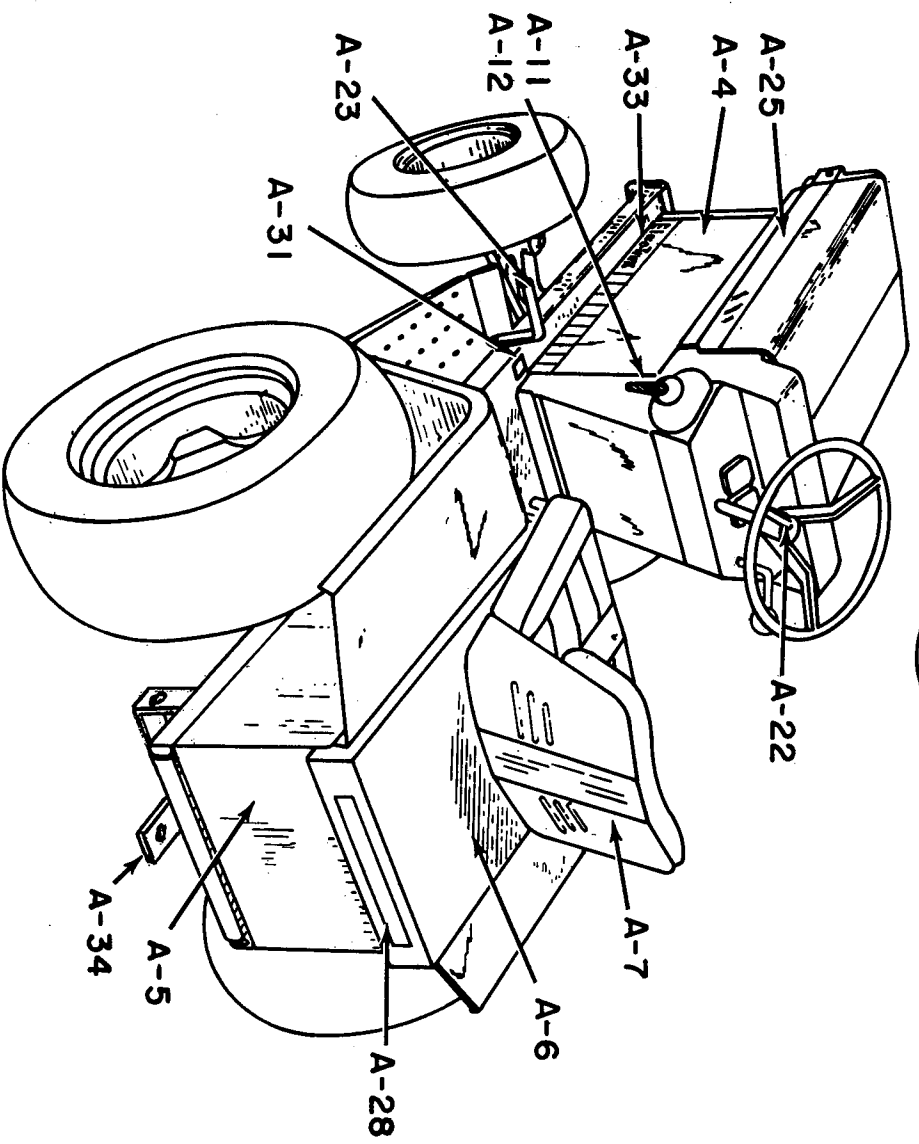


Fig. E12M-1

BODY COMPONENTS

<u>Ref. No.</u>	<u>Part No.</u>	<u>Description</u>
A-1	541C940G5	Hood Assembly
A-2	423D214P2	Front Grill
A-3	422D837P1	Side Body Panel, Right
A-4	422D838P1	Side Body Panel, Left
A-5	423D221G1	Rear Battery Box Assembly, (Includes Fenders)
A-6	541C937G8	Rear Battery Box Cover (Less Seat)
A-7	243A4770P1	Seat Pan
A-8	178B8030P1	Cushion, Bottom
A-9	243A4852P1	Cushion, Rear
A-11	178B8137G1	Power Disconnect
A-12	211A3448P1	Fusible Link (Located on Power Disconnect)
A-14	211A3249P1	Gearshift Knob
A-15	541C951P1	Front Tire (16 x 4.80/4.00-8) and Rim
A-16	541C658G1	Rear Tire (23 x 8.50-12) and Rim
A-17	243A4589P1	Wheel Lug
A-18	211A3413P1	Headlight Lens
A-19	163B9936G1	Reflector and Light Assembly
A-20	211A3592P1	Lamp (GE 1076)
A-21	127D8023P1	Steering Wheel
A-22	243A4828G2	Cap and Monogram Assembly
A-23	155C8080G2	Brake Pedal Assembly
A-24	422D848P11	Hood Decal, Right Hand
A-25	422D848P12	Hood Decal, Left Hand
A-26	243A4639P1	Hood Rubber Bumper, (Mounted on Both Sides)
A-27	243A4639P2	Hood Rubber Bumper (Mounted on Top)
A-28	211A3250P1	Rear Tail Reflector
A-29	243A4869P1	Decal, "To Facilitate Shifting"
A-30	243A4794P1	Decal, "Shift to Lower Gear"
A-31	211A3247P1	Decal, "Parking Brake"
A-32	127B8009P1	Side Plate Decal, Right Hand
A-33	127B8009P2	Side Plate Decal, Left Hand
A-34	178B8167P1	Extension Bar

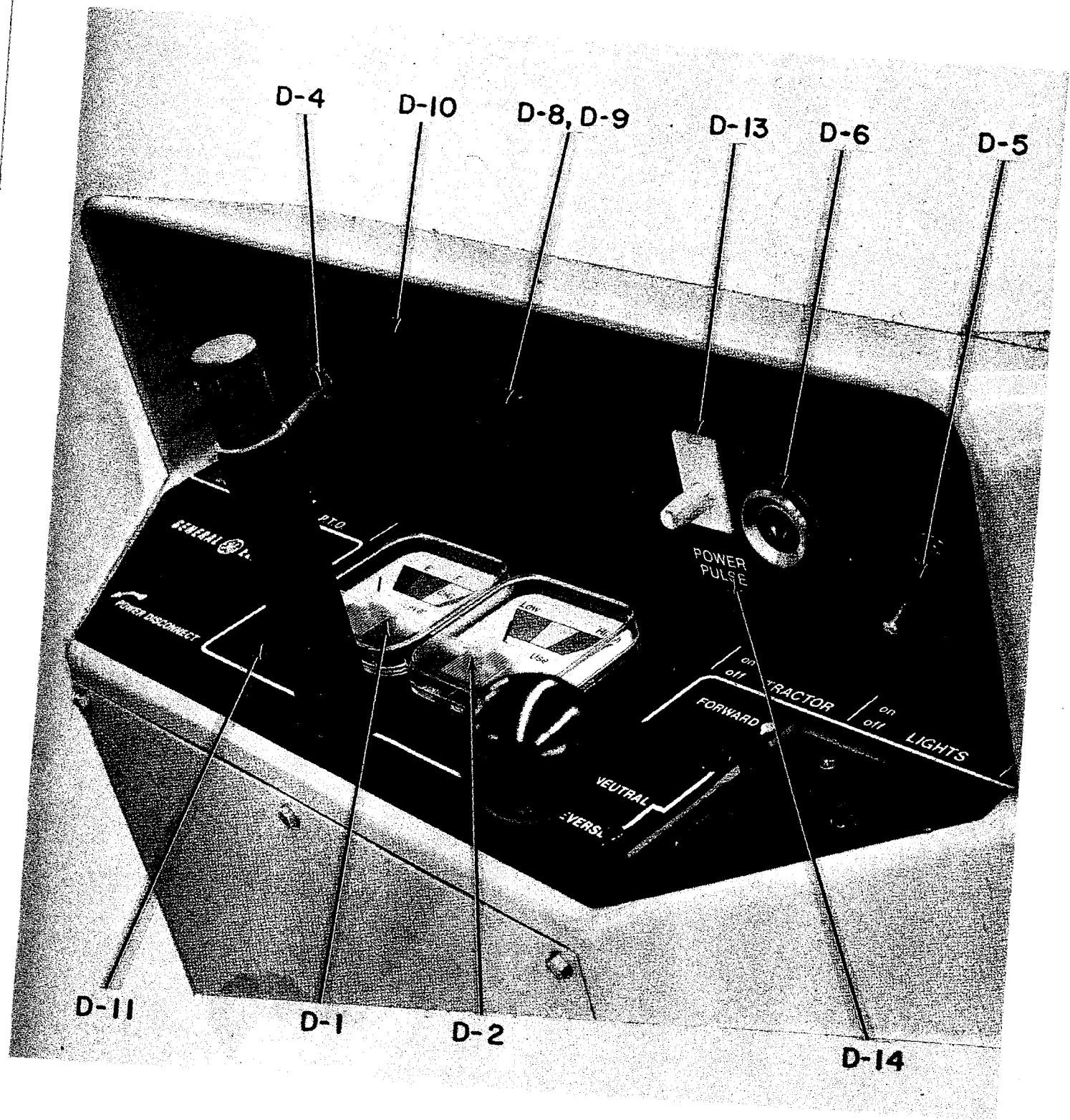


Fig. E12M-2

DASH COMPONENTS

<u>REF. NO.</u>	<u>PART NO.</u>	<u>DESCRIPTION</u>
D-1	243A4629G1	FUEL LEVEL GAUGE
D-2	243A4630G4	POWER USE GAUGE
D-4	243A4531P1	P.T.O. SWITCH
D-5	243A4531P3	LIGHT SWITCH
D-6	243A4573P1	KEY SWITCH
D-7	211A3597P1	KEY
D-8	243A4574P1	LIGHT, DASH
D-9	211A3591P1	LAMP (GE 1815)
D-10	178B8132P1	DASH PANEL
D-11	541C681P1	DECAL, DASH
D-12	155C8072G1	DASH HARNESS
D-13	243A4790P1	POWER PULSE SWITCH
D-14	244A7088P1	DECAL, POWER PULSE
D-15	211A3551P1	TUBING (NOT PICTURED—INSULATION ON SWITCH TERMINALS)

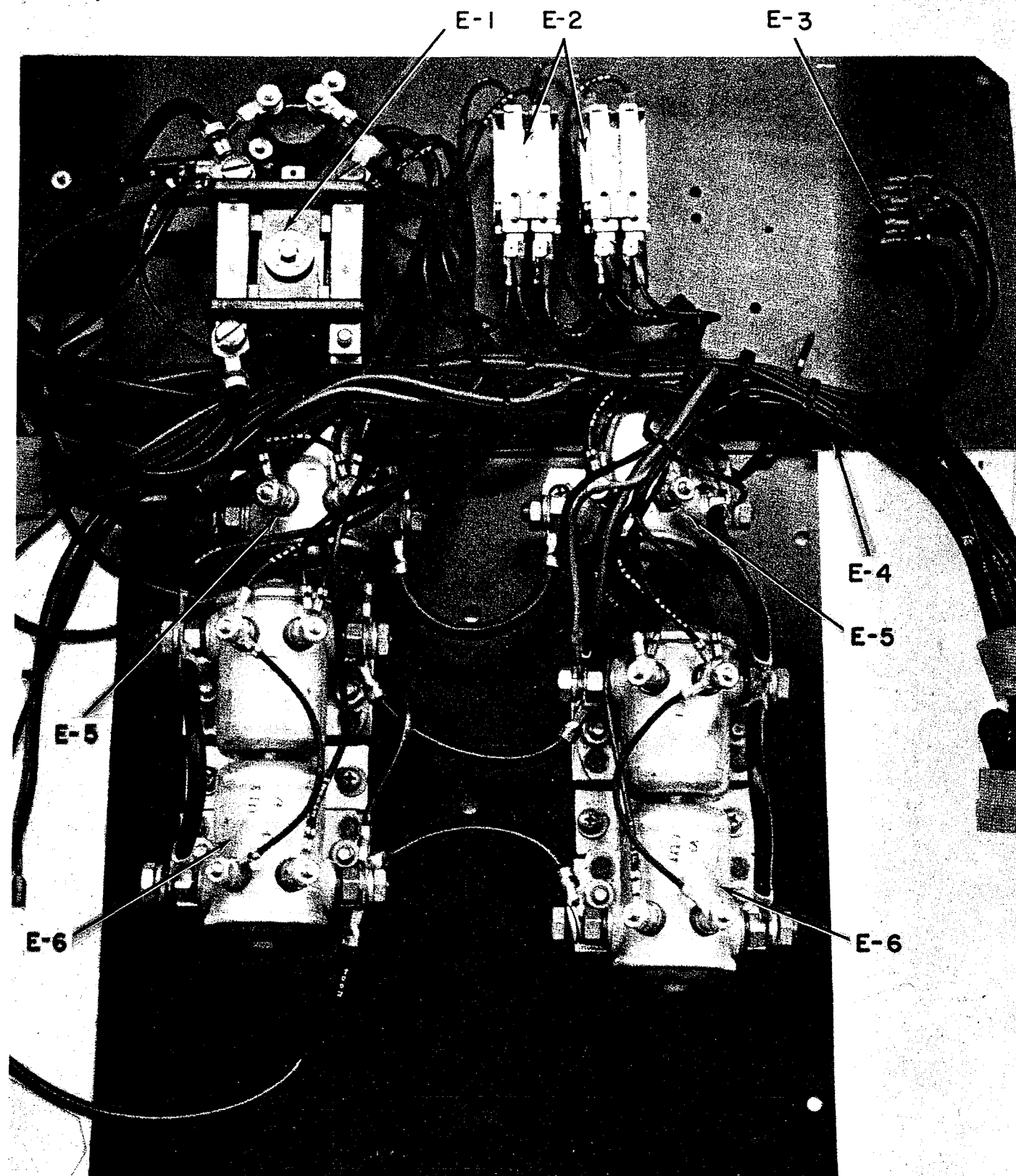


Fig. E12M-3

ELECTRICAL COMPONENTS

<u>REF. NO.</u>	<u>PART NO.</u>	<u>DESCRIPTION</u>
E-1	243A4524P1	P.T.O. CONTACTOR
E-2	243A4562P1	RELAY
E-3	243A4970G1	DIODE AND VARISTOR ASSEMBLY
E-4	423D296G1	CONTROL PANEL HARNESS
E-5	211A3567P1	CONTACTOR
E-6	178B8009P1	DOUBLE CONTACTOR

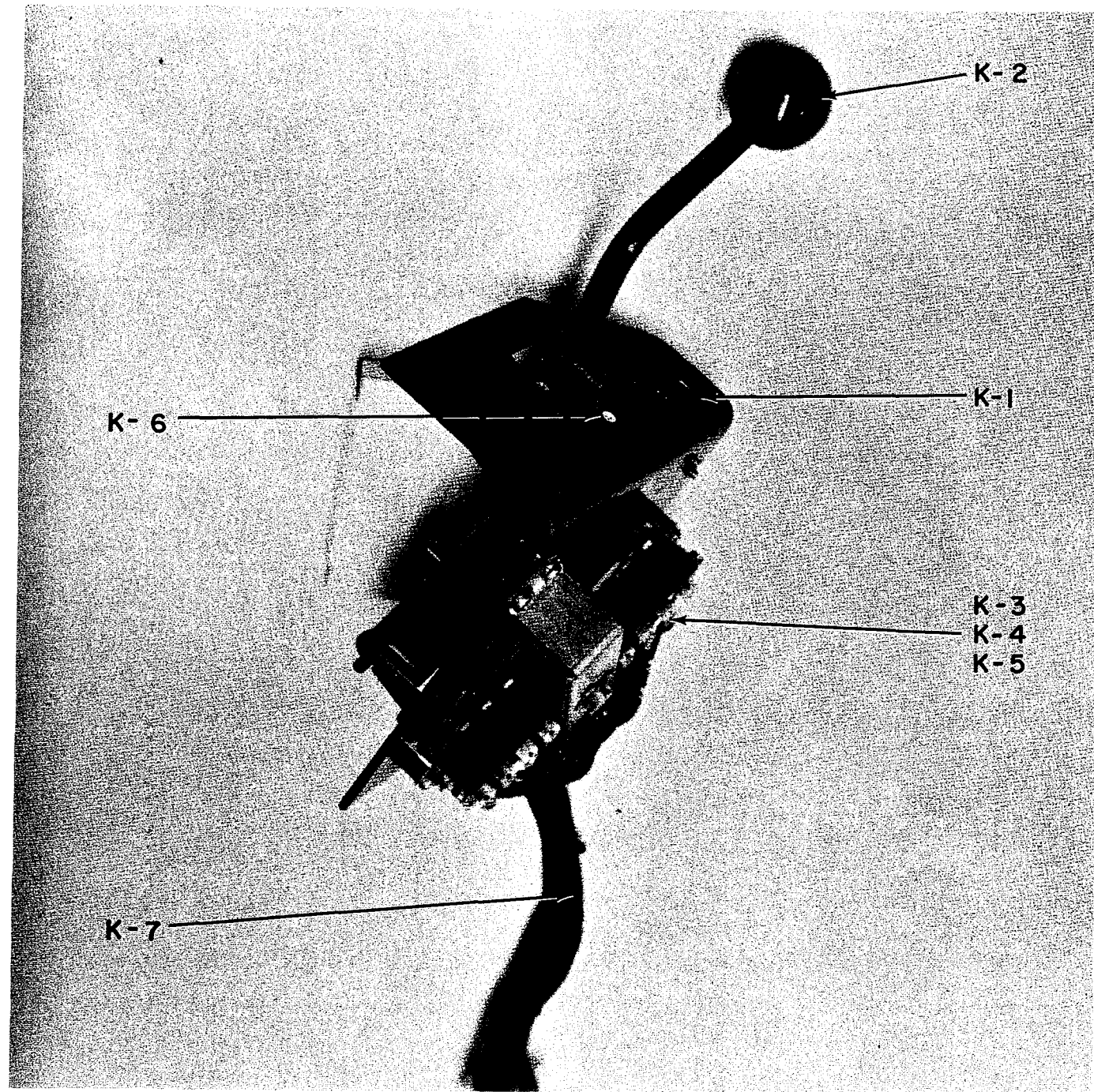


Fig. E12M-4

SPEED CONTROL

<u>REF. NO.</u>	<u>PART NO.</u>	<u>DESCRIPTION</u>
K-1*	423D297G1	SPEED CONTROL
K-2*	211A3249P1	SPEED CONTROL KNOB
K-3	211A3198P1	START SWITCH, 3 TABS, N.O., N.C., AND COMMON
K-4	211A3198P2	1A 2A SWITCH, 2 TABS, N.O., O, AND COMMON
K-6	211A3558P2	REVERSE SWITCH
K-7*	155C8065G1	THROTTLE HARNESS

*IT IS IMPERATIVE, WHEN ORDERING A SPEED CONTROL OR PARTS,
THAT YOU SPECIFY THE MODEL NUMBER OF THE TRACTOR AND SERIAL
NUMBER OF THE TRACTOR TO INSURE RECEIVING THE PROPER PART.

TABLE OF CONTENTS

<u>Figure</u>	<u>Title</u>
SF-1	Body Components
SF-2	Front Battery Compartment
SF-3	Charger (See Charger Section)
SF-4	Dash Components
SF-5	Electrical Components (And Motor Compartment)
SF-6	E10M Rear Battery Compartment
SF-7	E8M Rear Battery Compartment
SF-8	Undercarriage Components (AA-CA)
SF-9	Undercarriage Components (DA, EA)
SF-10	Drive Assembly

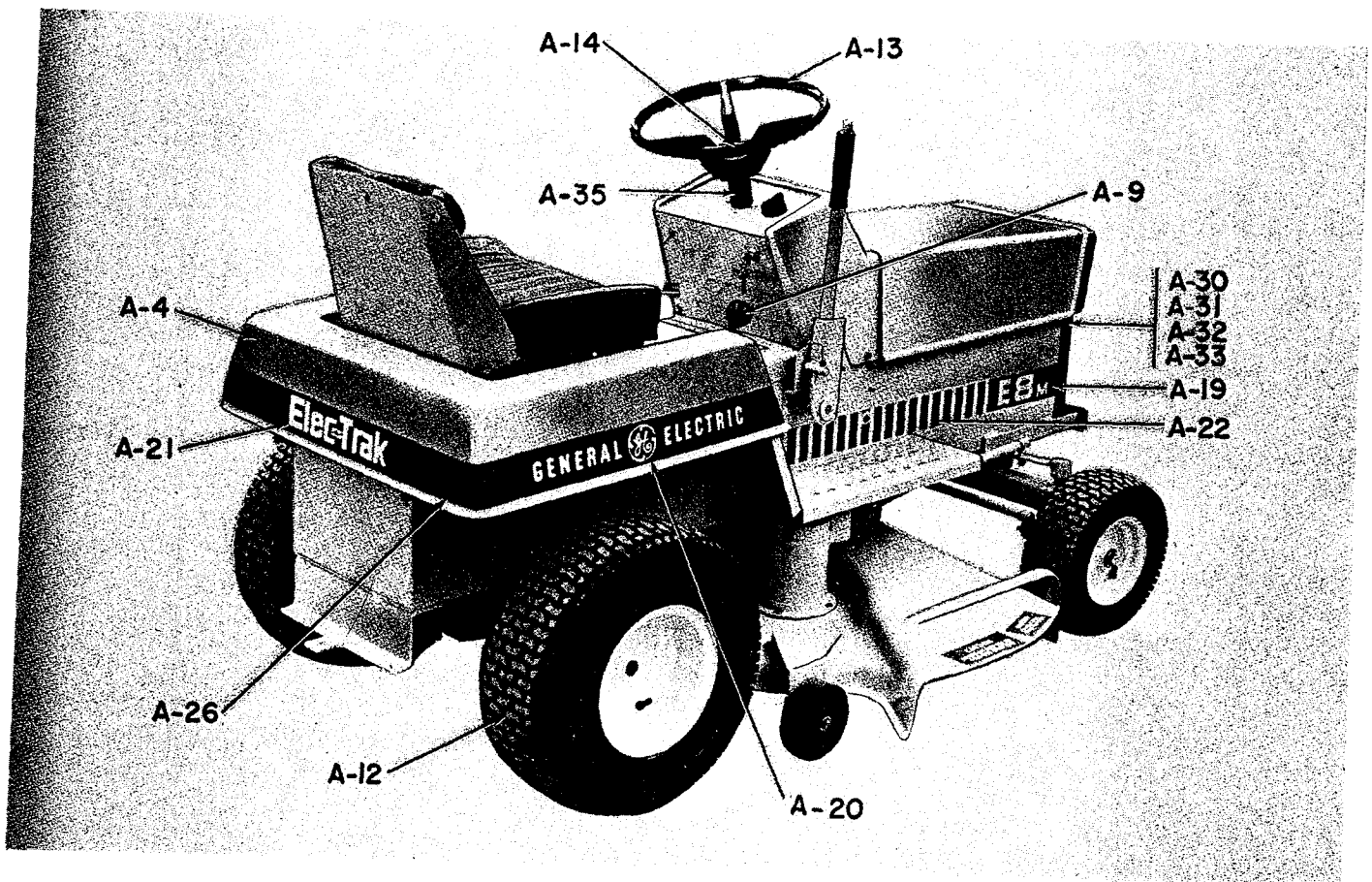
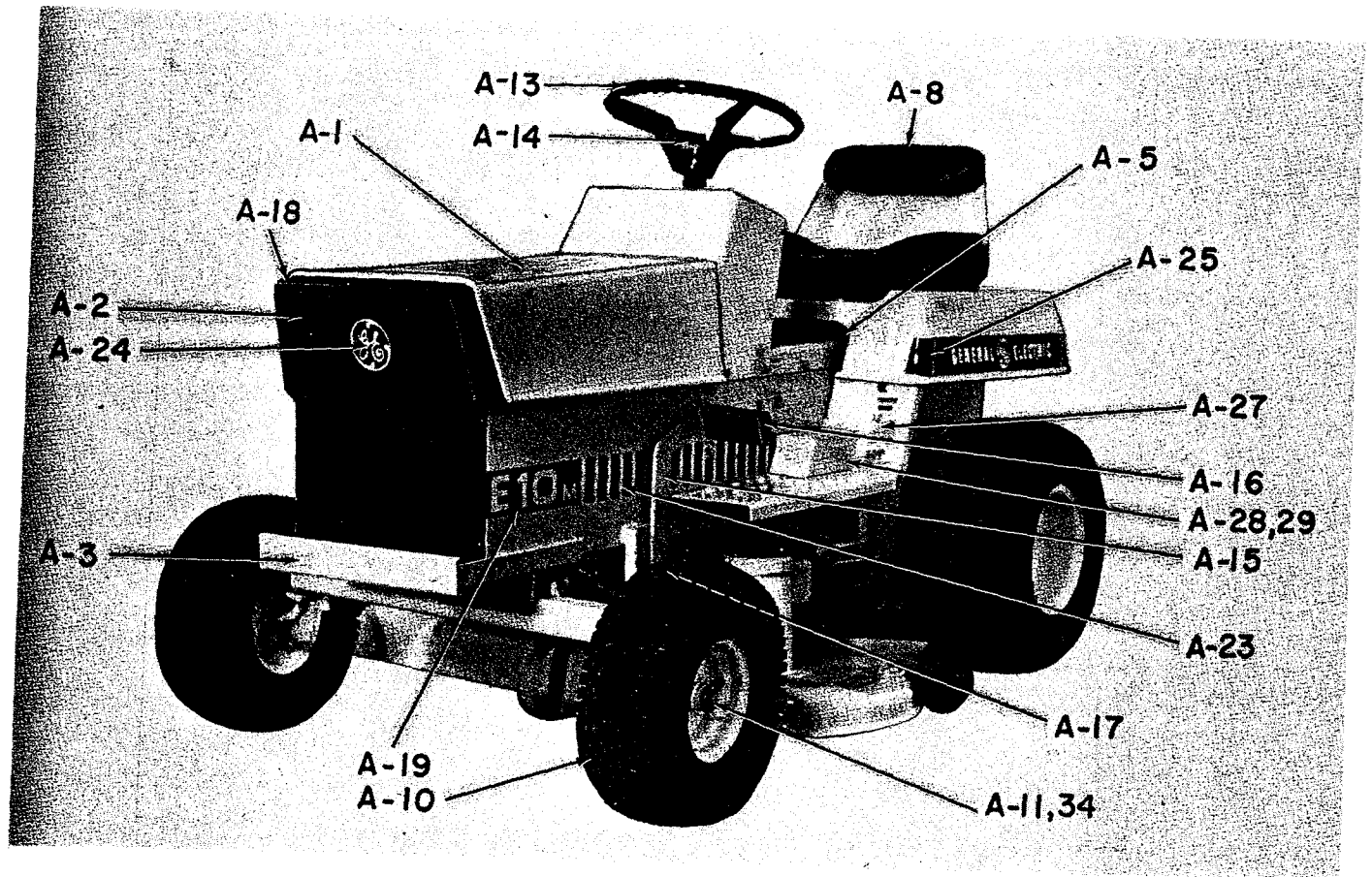


Fig. SF-1

BODY COMPONENTS

<u>Ref. No.</u>	<u>Part No.</u>	<u>Description</u>
A-1	178B8223G2	Hood Assembly
A-2	127D8033P1	Front Grill
A-3	244A7262P1	Bumper
A-4	178B8252G1	Seat Housing Assembly
A-5	244A7448P1	Seat Trim
A-6	243A4770P1	Seat Pan (All Models Except E8CA, DA, EA)
A-6	155C8199G1	Seat Assembly E8CA, DA, EA
A-7	243A4852P1	Cushion, Bottom (All Models Except E8CA, DA, EA)
A-8	178B8030P1	Cushion, Rear (All Models Except E8CA, DA, EA)
A-9	211A3249P3	Gear Shift Knob
A-10	155C8121G1	Front Tire (13 x 5.00-6) and Rim (E8)
A-10	155C8121G2	Front Tire (15 x 6.00-6) and Rim (E10)
A-11	N922P75C6	Snap Ring
A-12	155C8125G1	Rear Tire (18 x 6.50-8) and Rim (E8)
A-12	155C8131G1	Rear Tire (18 x 9.50-8) and Rim (E10)
A-13	127D8023P1	Steering Wheel
A-14	243A4828G2	Cap and Monogram Assembly
A-15	178B8283G1	Pedal Assembly
A-16	244A7159P1	Brake Pad
A-17	243A4554P3	Push Nut
A-18	244A7448P1	Trim
A-19	178B8269P1	Decal, E8M
A-19	178B8270P1	Decal, E10M
A-19	178B8479P1	Decal, Heavy Duty
A-20	422D848P15	Decal, General Electric
A-21	422D848P16	Decal, Elec-Trak
A-22	422D848P17	Decal, Body (Right Side)
A-23	422D848P18	Decal, Body (Left Side)
A-24	244A7394P1	Decal, General Electric
A-25	178B8261P1	Decal, Corner (Black)
A-26	244A7389P1	Decal, Corner (Red)
A-27	244A7471P1	Parking Brake Decal
A-28	155C8147P1	Belt Cover
A-29	244A7278G1	Belt Retainer (Not Shown Under Belt Cover)
A-30	243A4550P10	Spacer
A-31	N57P16020B6	Slotted Pan Hd. Mach. Screw
A-32	N405P9C6	Lockwasher
A-33	N210P16B6	Hex Nut
A-34	N402AP18B6	Washer (Spindle)
A-35	244A7327P1	Sleeve

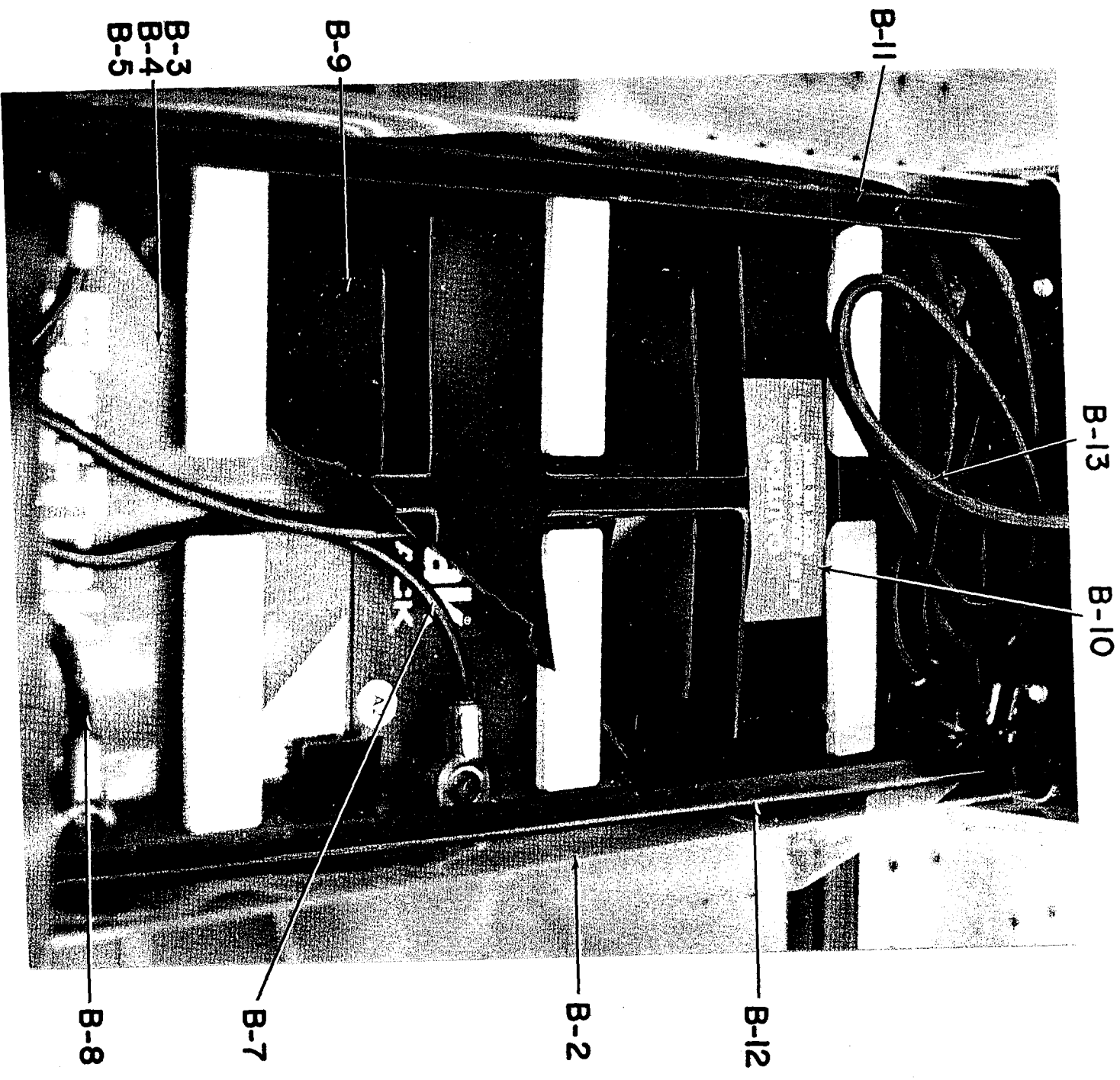
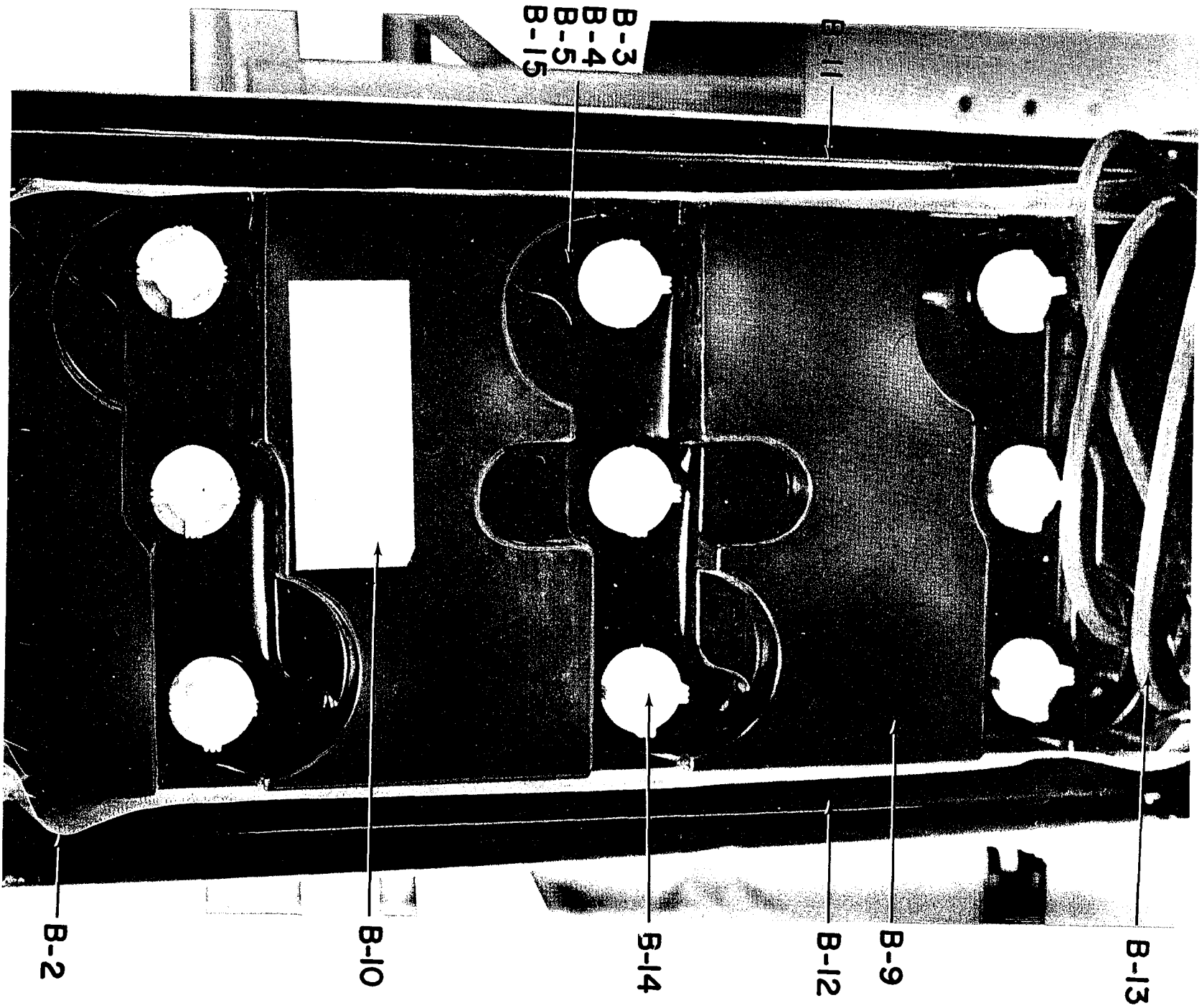


Fig. SF-2

FRONT BATTERY COMPARTMENT

<u>Ref. No.</u>	<u>Part No.</u>	<u>Description</u>
B-1	155C8094P1	Battery Tray (Not Pictured)
B-2	155C8122P1	Battery Liner
B-3	178B8236P1	Battery
B-4	244A7313P2	Battery Protector (Not Pictured-Front)
B-5	244A7313P1	Battery Protector (Not Pictured-Rear)
B-6	178B8165G7	Battery Cable (Not Pictured-B2 ⁺)
B-7	178B8165G10	Battery Cable (Interconnecting)
B-8	178B8165G8	Battery Cable (B3 ⁻)
B-9	247A7307G1	Battery Cover (Includes Decal)
B-11	178B8263P1	Battery Clamp (Right Side)
B-12	178B8263P2	Battery Clamp (Left Side)
B-13	211A3555G1	Cord Asm.
B-14	155C8167P1	Decal, Charging Instruction (Not Shown)



B-13

B-9

B-12

B-14

B-10

B-2

B-3
B-4
B-5
B-15

Fig. SF-3

FRONT BATTERY COMPARTMENT

<u>Ref. No.</u>	<u>Part No.</u>	<u>Description</u>
B-1	155C8094P1	Battery Tray (Not Pictured)
B-2	155C8122P1	Battery Liner
B-3	243A4527G1	Battery Std.
B-3	243A4724G1	Battery H. D.
B-4	244A7313P4	Battery Protector (Not Pictured-Front)
B-5	244A7313P3	Battery Protector (Not Pictured-Rear)
B-6	178B8165G7	Battery Cable (Not Pictured-B2 ⁺)
B-7	178B8165G1	Battery Cable (Interconnecting) (Not Pictured)
B-8	178B8165G11	Battery Cable (B3 ⁻)
B-9	247A7308G1	Battery Cover (Includes Decal)
B-11	244A7283P2	Battery Clamp (Right Side)
B-12	244A7283P1	Battery Clamp (Left Side)
B-13	211A3555G1	Cord Asm.
B-14	243A4849P1	Battery Cap Old HD
	243A4720	Battery Cap New HD + Std.
B-15	244A7313P5	Battery Protector (Not Pictured-Side)
B-16	155C8167P1	Decal, Charging Instruction (Not Shown)

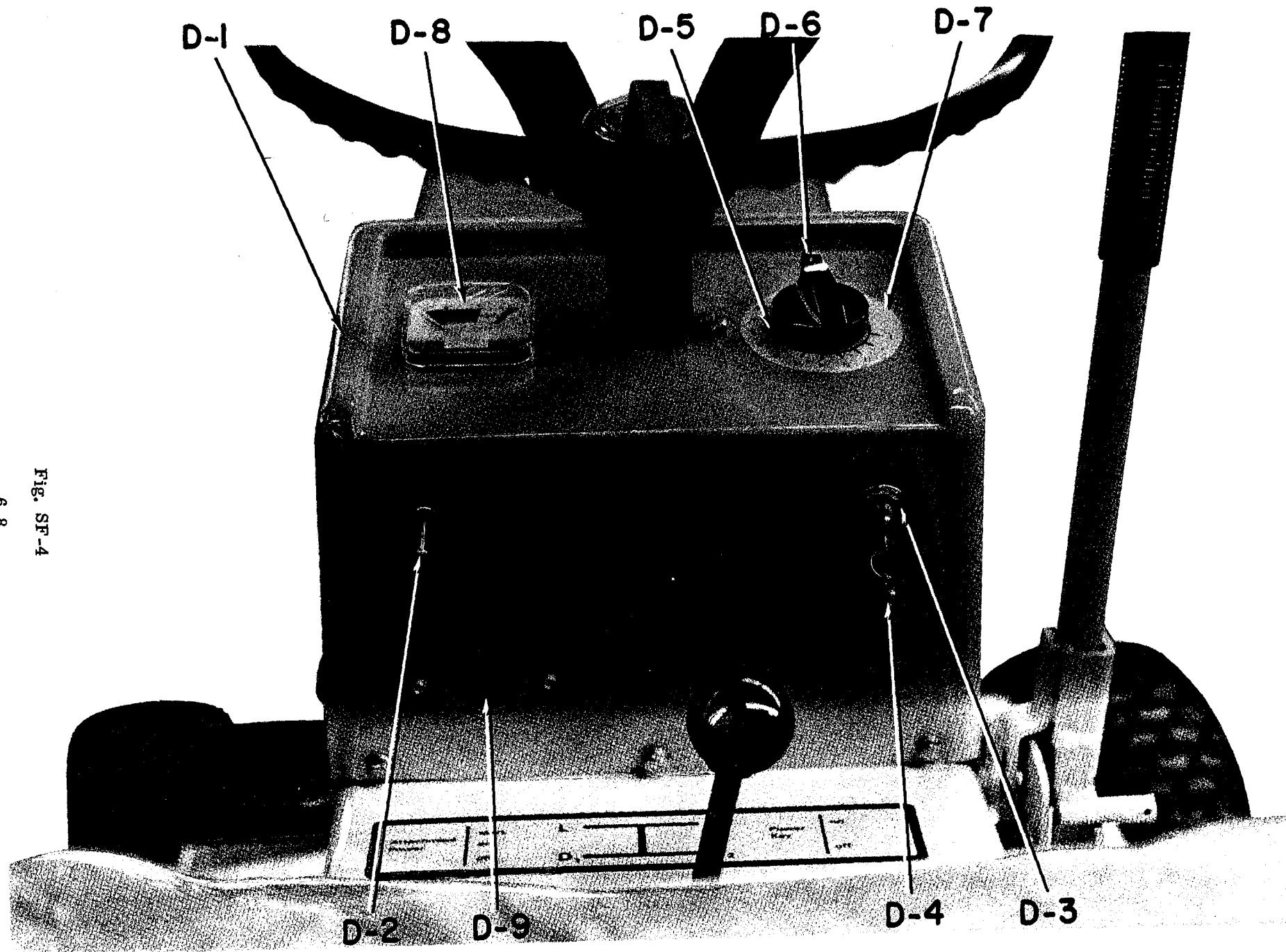


Fig. SF-4

DASH COMPONENTS

<u>Ref. No.</u>	<u>Part No.</u>	
D-1	127D8019P1	Dash Compartment (E10)
D-1	127D8019P2	Dash Compartment (E8)
D-2	244A7229P1	PTO Switch
D-3	244A7308P1	Key Switch
D-4	247A7354P1	Key
D-5	211A3507P1	Timer (All Models Except E8EA)
D-5	247A7484P1	Timer (E8EA Only)
D-6	243A4549P1	Timer Knob
D-7	244A7386P1	Timer Decal
D-8	243A4629G1	Fuel Level Gage (E10 Only)
D-9	243A4542P1	Accessory Outlet (E10 Only)
D-10	178B8238G1	Timer Assembly (All Models Except E8EA)
D-10	178B8238G2	Timer Assembly (E8EA Only)
D-11	211A3555G1	Cord Assembly (110 V a-c, not shown)
D-12	178B8246G1	Extension Cable (Not Shown - Jumper From Charger to Timer)

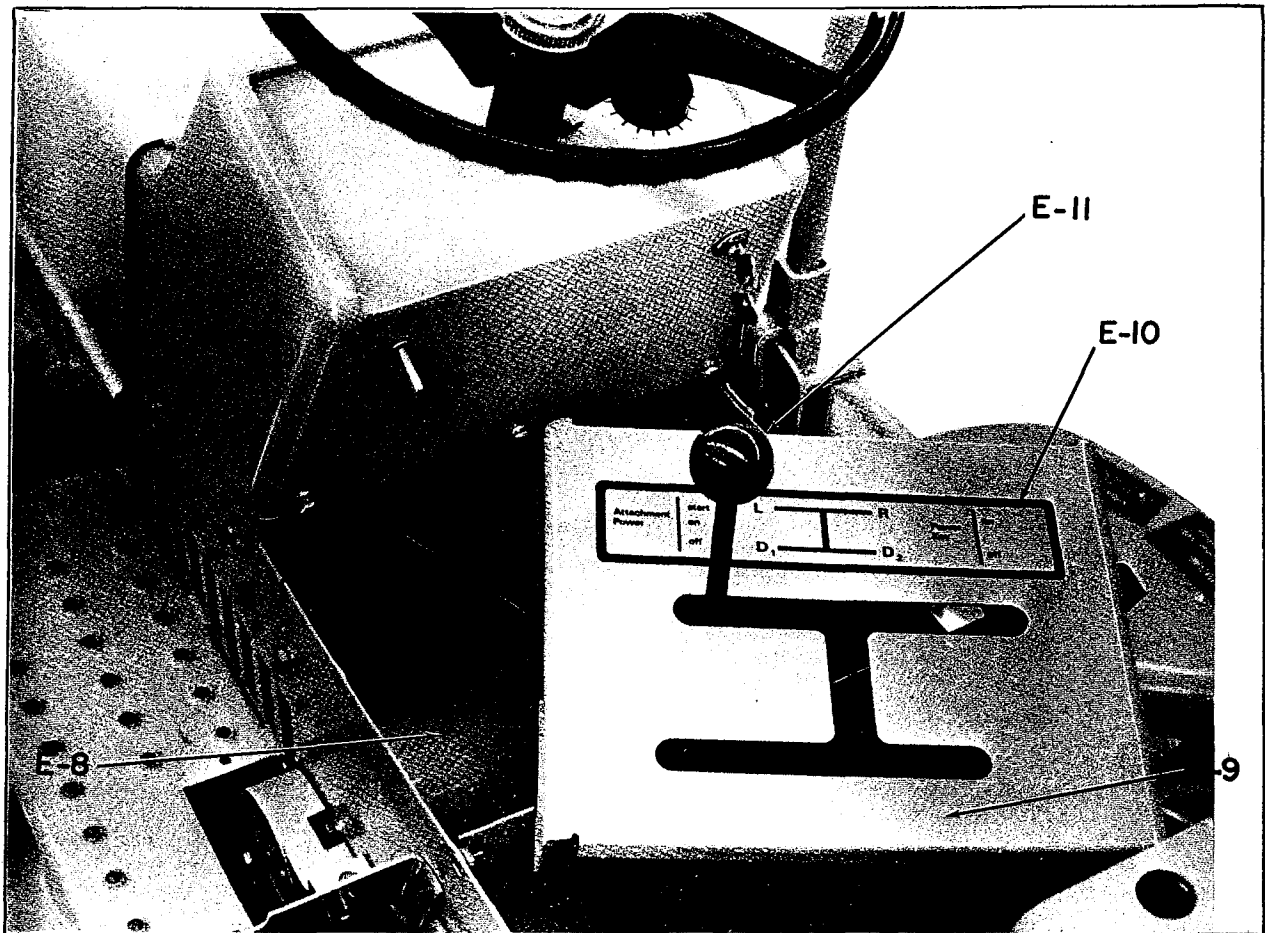
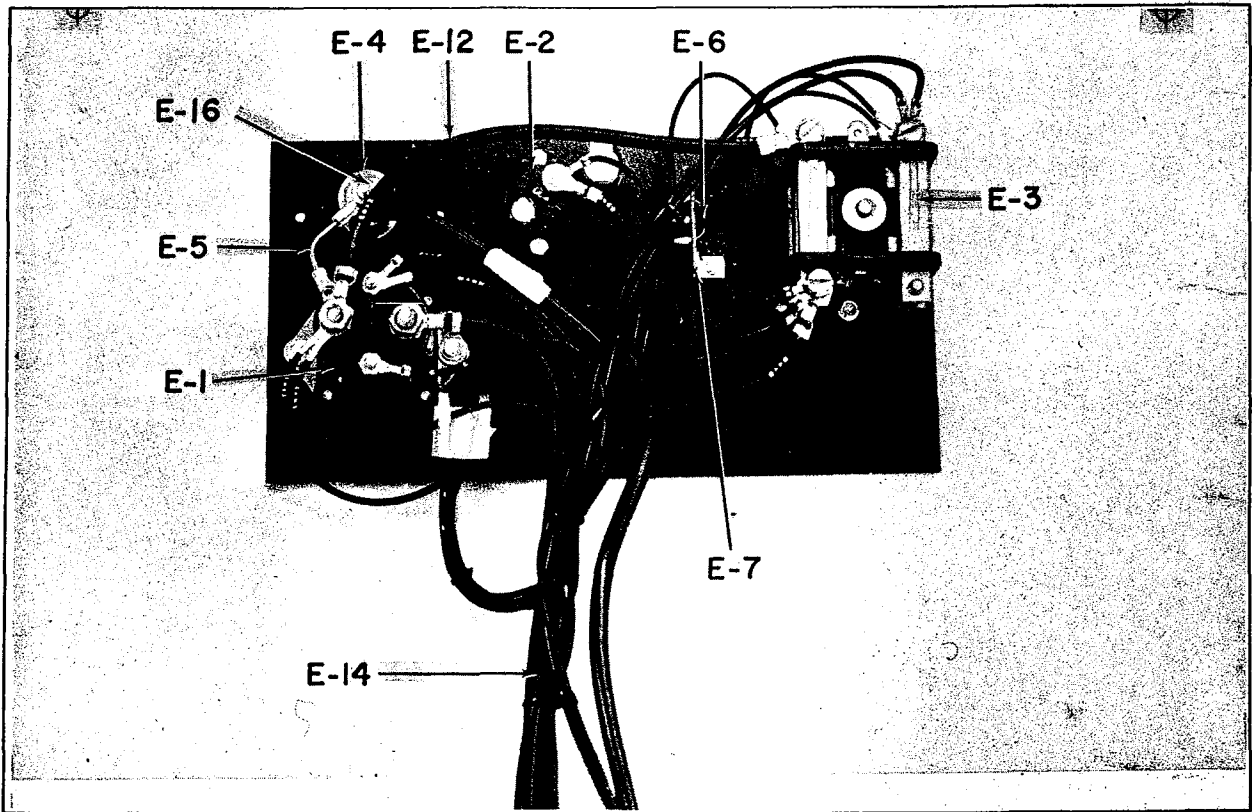
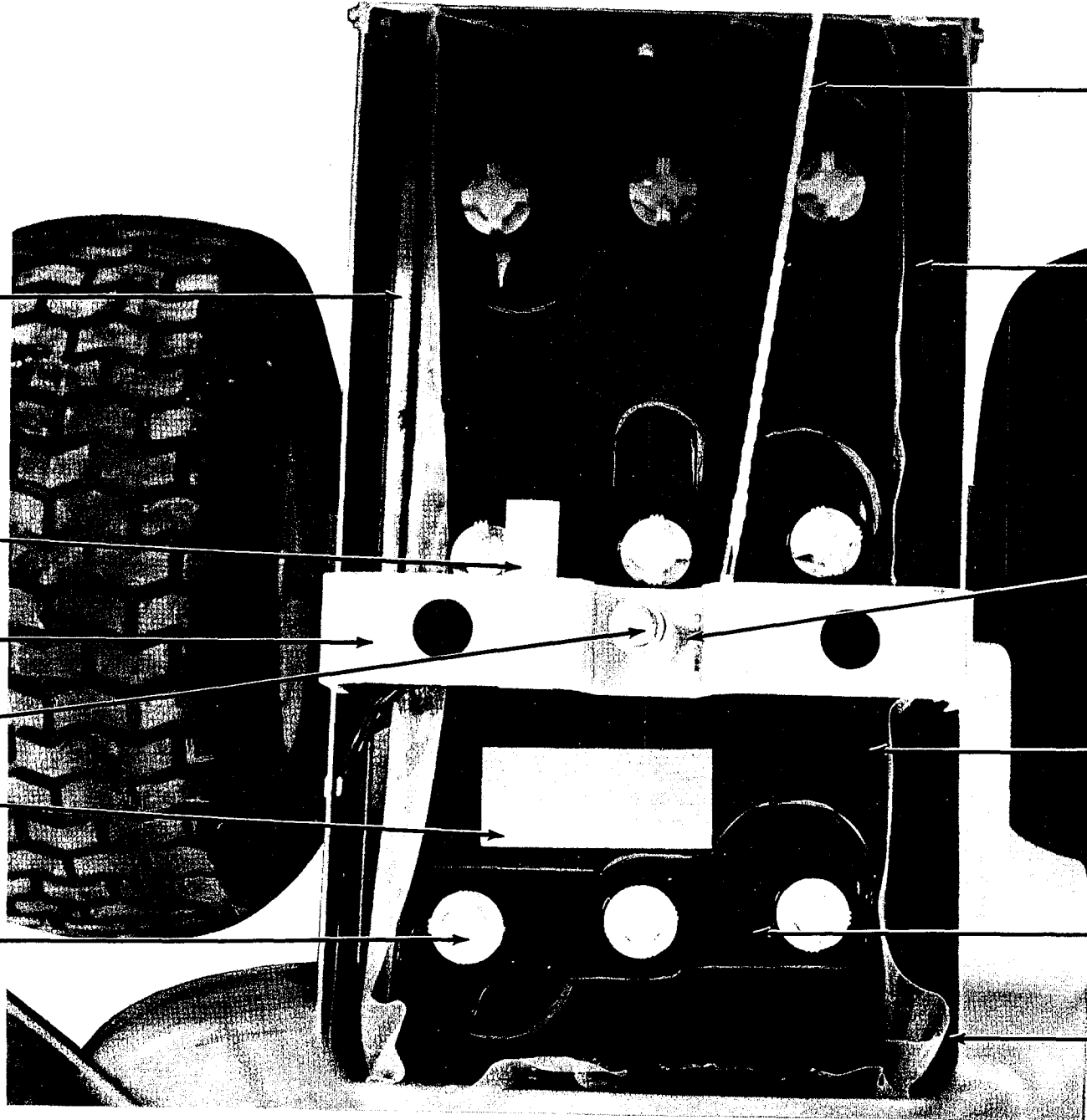


Fig. SF-5

ELECTRICAL COMPONENTS

<u>Ref. No.</u>	<u>Part No.</u>	<u>Description</u>
E-1	244A7063P1	L Contactor
E-2	243A4719P1	Circuit Breaker (CB-2)
E-3	243A4524P1	P. T. O. Contactor (AA, BA, CA Models)
E-3	178B8385P1	P. T. O. Contactor (DA + EA Models)
E-4	211A3165P1	Insulator
E-5	211A3448P2	Fusible Link
E-6	244A7326G1	Diode Asm. (AA, BA, CA Models)
E-6	244A7326G2	Diode Asm. (DA + EA Models)
E-7	243A4953P1	Terminal Strip
E-8	178B8244P1	Drive Motor (E10)
E-8	178B8216P1	Drive Motor (E8)
E-9	155C8142P1	Motor Compartment Cover
E-10	178B8267P1	Shifting Decal
E-11	211A3249P3	Shifting Knob
E-12	244A7334G13	Connection Wire #1-01
E-13	243A4606P1	Circuit Breaker (CB-3, AA Models Only)
E-14	127D8048G4	Cable Harness (AA, BA, CA Models)
E-14	127D8079G1	Cable Harness (DA + EA Models)
E-15	155C8136G1	Dash Harness (E10, AA Model) Not Shown
E-15	155C8178G1	Dash Harness (E10, BA, CA, DA Models) Not Shown
E-15	155C8132G1	Dash Harness (E8 Models) Not Shown
E-16	243A4658P1	Stud
E-17	243A4652P1	Diode (Not Shown)



G-4

G-16

G-17

G-2

G-1

G-5

G-14

G-3

G-15

G-8

G-9

G-13

G-7

Fig. SF-6

6-12

REAR BATTERY COMPARTMENT

<u>Ref. No.</u>	<u>Part No.</u>	<u>Description</u>
G-1	243A4790P1	Seat Switch
G-2	211A3577P1	Seat Spring
G-3	211A3191P1	Rivet
G-4	244A7424G1	Line Asm.
G-5	244A7321G1	Seat Support Asm.
G-6	155C8094P1	Battery Tray (Not Pictured)
G-7	155C8122P1	Battery Liner
G-8	243A4527G1	Battery, Std.
G-8	243A4724G1	Battery, Hd.
G-9	243A4849P1	Battery Cap Old H. D.
G-9	243A4720P1	Battery Cap New H. D. + Standard
G-10	178B8165G11	Battery Cable (B4 ⁺ - Not Pictured)
G-11	178B8165G1	Battery Cable (Interconnecting, Not Pictured)
G-12	178B8165G8	Battery Cable (B5 ⁻ - Not Pictured)
G-13	244A7313P5	Battery Protector (Side)
G-14	247A7308G1	Battery Cover (Includes Decal)
G-16	244A7317P1	Battery Clamp (Left Side)
G-17	244A7317P2	Battery Clamp (Right Side)

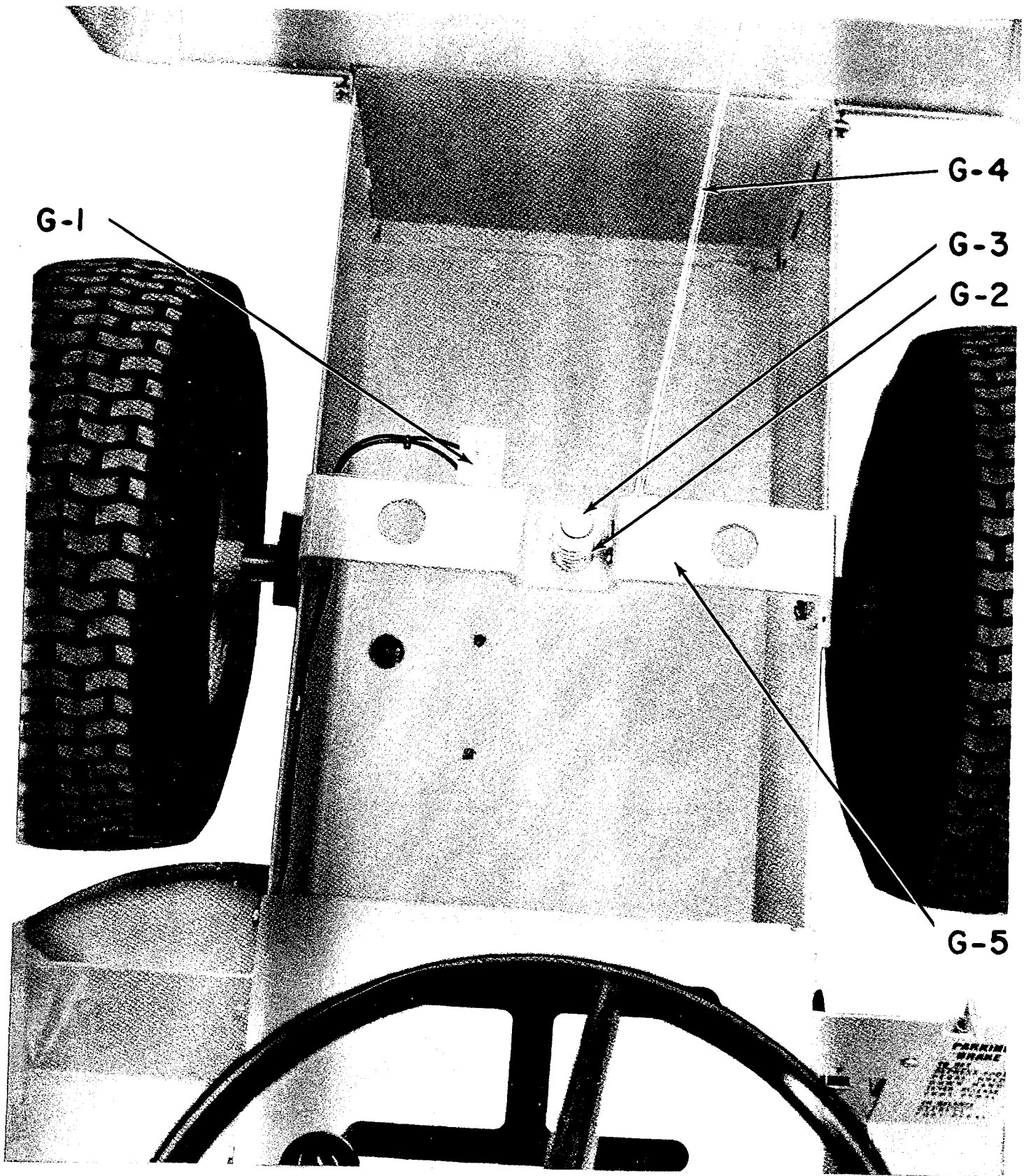


Fig. SF-7

REAR BATTERY COMPARTMENT

<u>Ref. No.</u>	<u>Part No.</u>	<u>Description</u>
G-1	243A4790P1	Seat Switch
G-2	211A3577P1	Seat Spring
G-3	211A3191P1	Rivet
G-4	244A7424G1	Line Asm.
G-5	244A7321G1	Seat Support Asm.
E8EA Heavy Duty (Not Pictured)		
G-6	155C8094P1	Battery Tray
G-7	155C8122P1	Battery Liner
G-8	178B8236G1	Battery (12 V)
G-9	244A7313P1	Battery Protector (Rear)
G-10	178B8165G10	Battery Cable (Interconnecting)
G-11	247A7307G1	Battery Cover
G-12	178B8476P1	Battery Clamp (Right)
G-13	178B8476P2	Battery Clamp (Left)
G-14	247A7504P1	Hold Down Stud
G-15	N405P11C6	Lockwasher
G-16	N210P21B6	Hex Nut

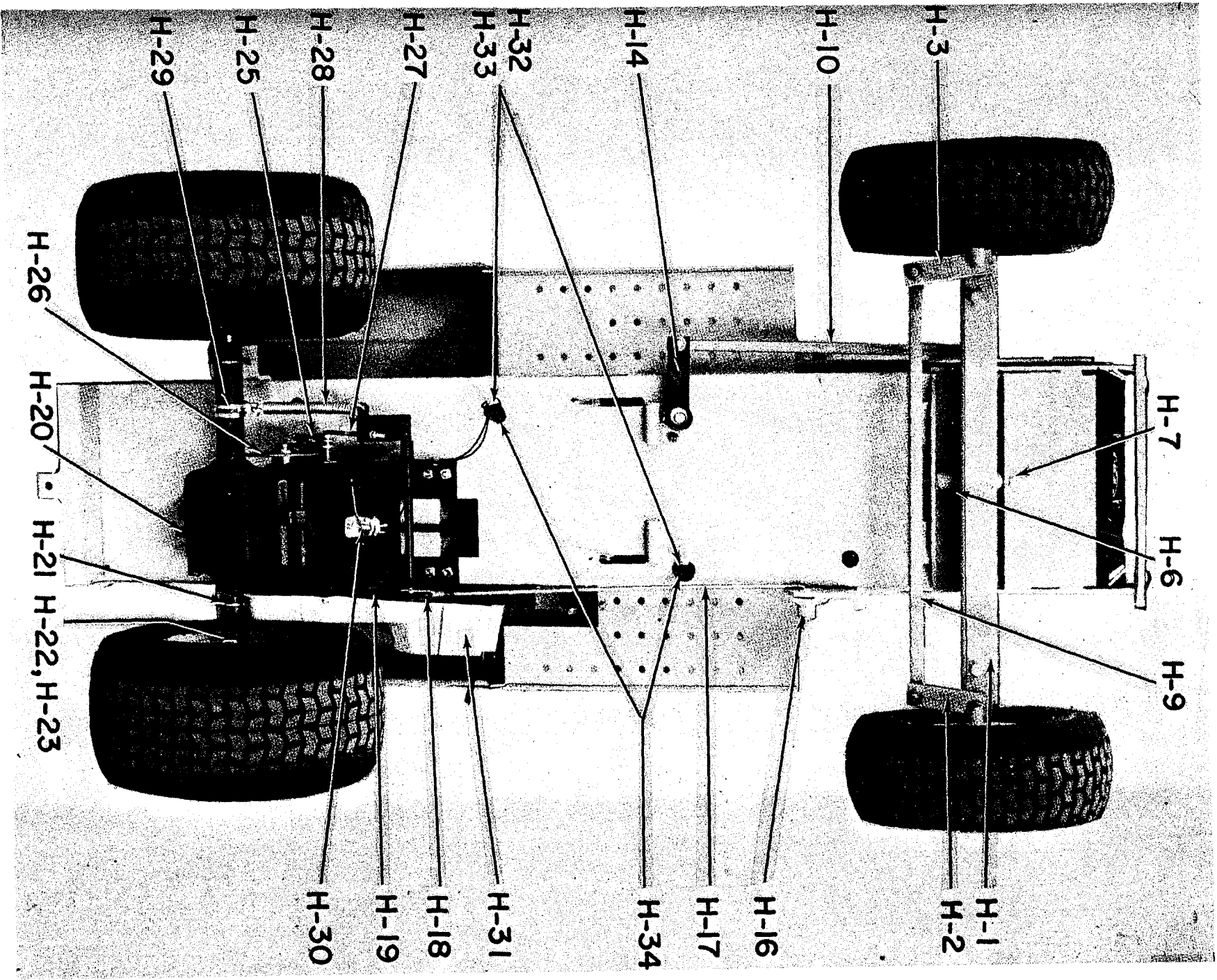
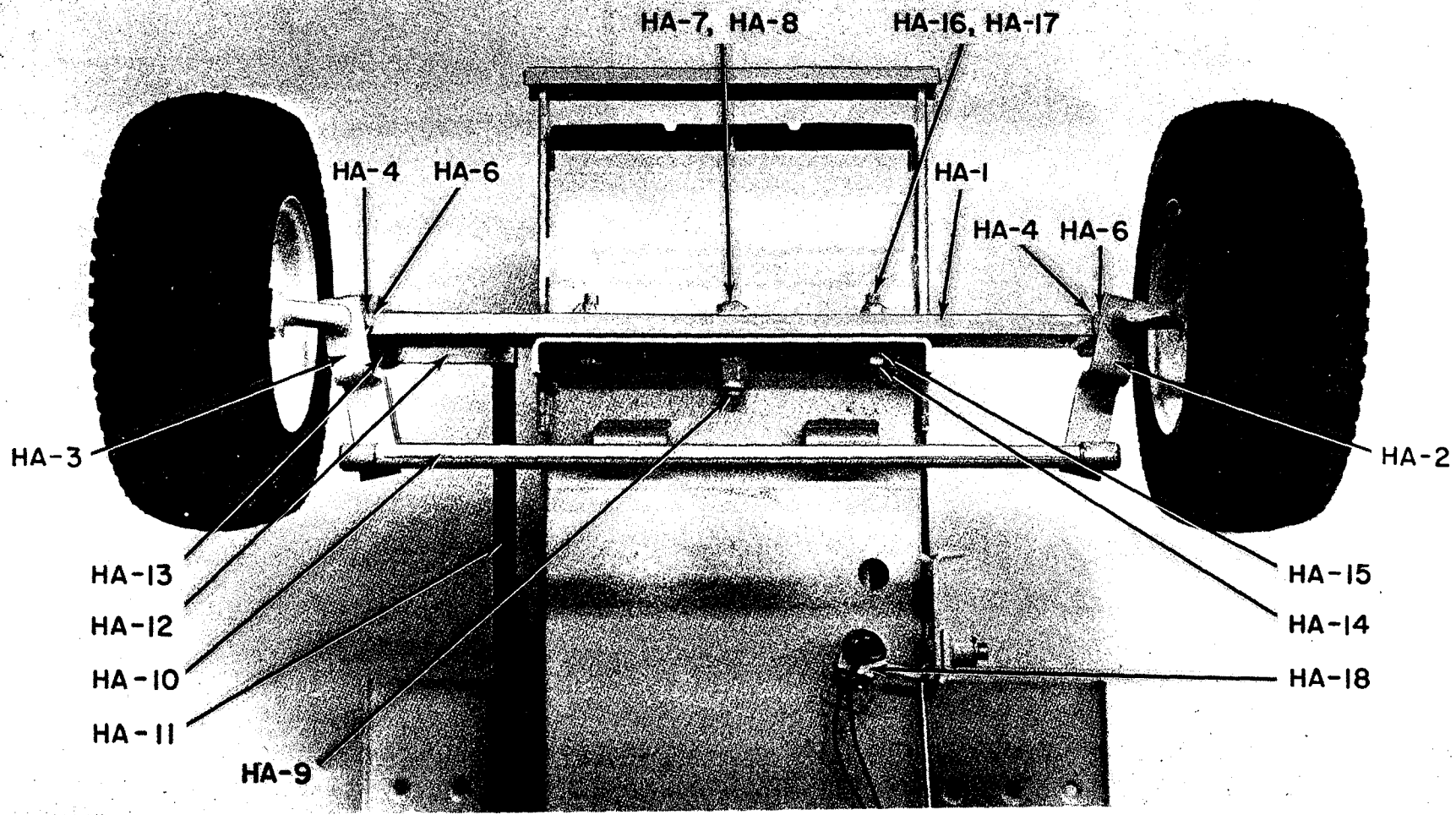


Fig. SF-8

UNDERCARRIAGE COMPONENTS

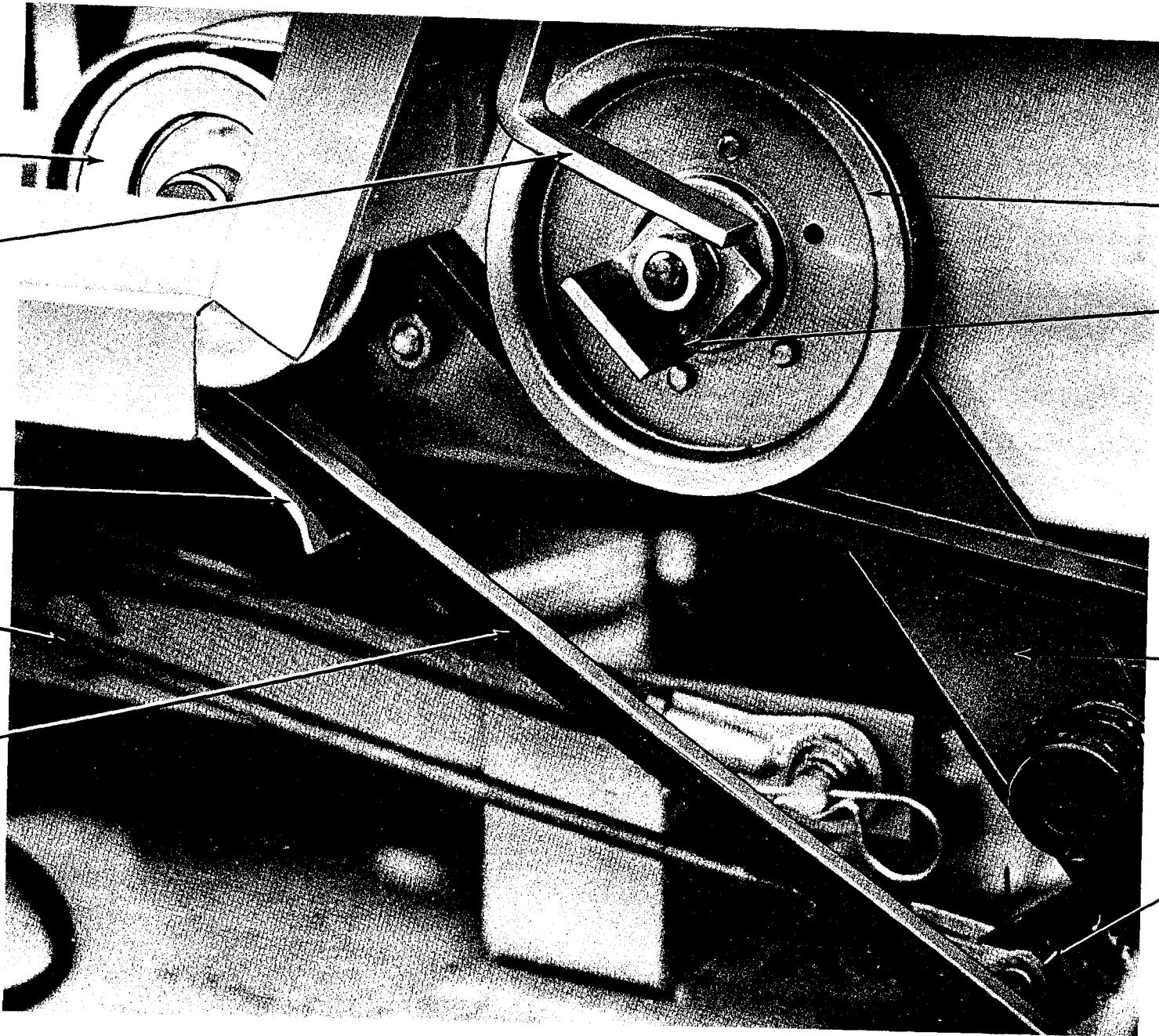
<u>Ref. No.</u>	<u>Part No.</u>	<u>Description</u>
H-1	178B8032G1	Front Axle
H-2	178B8282G1	Spindle, Left
H-3	178B8217G1	Spindle, Right
H-4	243A4587P1	Thrust Washer (Located on Spindle)
H-5	N922P75C6	Snap Ring (Located at Top of Spindle)
H-6	243A4867P1	Grease Fitting
H-7	244A7416P1	Pivot Pin
H-8	N922P62C6	Retaining Ring for Pivot Pin
H-9	178B8203P1	Tie Rod
H-10	178B8203P2	Tie Rod
H-11	244A7180G1	Steering Arm Asm. (Top of Right Spindle)
H-12	N3400P606	Key (3/16 x 3/4 Woodruff)
H-13	N72P2108B6	Set Screw (1/4-20 x 1/2)
H-14	244A7183G1	Steering Arm Asm.
H-15	N3400P405	Key (1/8 x 5/8 Woodruff)
H-16	243A4554P3	Push Nut
H-17	244A7126P2	Rod
H-18	244A7168P1	Clevis
H-19	178B8262G1	Torque Plate
H-20	127D8015P1	Transaxle
H-21	244A7234P1	U-Bolt
H-22	244A7221P1	Clevis Pin (Wheel)
H-23	N503P1516B6	Cotter Pin (Wheel)
H-24	244A7295P1	Transaxle Sheave (Not Pictured)
H-25	155C8149G1	Brake Assembly
H-26	244A7301G1	Disk and Hub
H-27	244A7409P1	Brake Rod
H-28	244A7415P1	Return Spring
H-29	244A7404P1	Strap
H-30	211A3481P1	Clutch Switch
H-31	155C8126P1	Belt Guard
H-32	243A4596P1	Mower Socket Housing
H-33	243A4552P1	Contact Pins
H-34	211A3589P4	Grommet
H-35	247A7511G1	Replacement Lead Kit (7017, 8018)
H-36	247A7511G2	Replacement Lead Kit (7027, 8028)

Fig. SF-9
6-18



UNDERCARRIAGE COMPONENTS

<u>Ref. No.</u>	<u>Part No.</u>	<u>Description</u>
HA-1	178B8342G2	Front Axle
HA-2	178B8449G1	Spindle (Left)
HA-3	178B8448G1	Spindle (Right)
HA-4	243A4587P1	Thrust Washer
HA-5	N922P75C6	Snap Ring (On Spindle)
HA-6	247A7301P1	Grease Fitting
HA-7	N22P33040B6	Bolt
HA-8	244A7469P1	Bearing
HA-9	247A7466P1	Lock Nut
HA-10	178B8203P1	Tie Rod
HA-11	178B8203P2	Tie Rod
HA-12	178B8409G1	Steering Arm Asm. (Top of Right Spindle)
HA-13	N533P2524	Spring Dowel Pin (Top of Right Spindle)
HA-14	N22P29032B6	Hex Head Bolt
HA-15	247A7494P1	Flanged Bearing
HA-16	N405P15C6	Lock Washer
HA-17	N258P29B6	Hex Nut
HA-18	211A3481P1	Clutch Switch



K-1

K-9

K-5

K-6

K-2

K-3

K-8

K-4

K-7

Fig. SF-10

DRIVE ASM.

<u>Ref. No.</u>	<u>Part No.</u>	<u>Description</u>
K-1	244A7392P1	Motor Sheave
K-2	211A3226P11	Drive Belt
K-3	244A7318P1	Idler Pulley
K-4	244A7407G1	Idler Arm Asm.
K-5	244A7278G1	Belt Retainer Asm.
K-6	244A7126P2	Rod
K-7	244A7168P1	Clevis
K-8	244A7369P1	Parking Brake Angle
K-9	178B8237P1	Hand Parking Brake
K-10	244A7466P1	Hand Grip (For Parking Brake)
K-11	244A7319P1	Spring, Parking Brake (Not Shown)

E8M - E10M ROTARY MOWER - MID MOUNT

<u>Ref. No.</u>	<u>Part No.</u>	<u>Description</u>
MT-1	155C8086P1	Mower Motor
MT-2	244A7073G1	Rod Assembly
MT-3	247A7351G1	Wiring Harness
MT-4	243A4543P1	Hair Pin Cotter
MT-5	178B8175P1	Mower Blade (30 ⁰) High Discharge
	178B8175P2	Mower Blade (15 ⁰) Low Discharge
MT-5	178B8497P1	Mower Blade (30 ⁰) High Discharge EA, FA, GA
	178B8497P2	Mower Blade (15 ⁰) Low Discharge Model EA, FA, GA
MT-6	163B9932G2	Clutch Asm.
MT-7	243A4577P2	Clutch Body
MT-8	243A4576P1	Washer, Fibre
MT-9	243A4578P1	Clutch Washer
MT-10	211A3564P3	Screw, Self Locking Cap
MT-11	244A7145P1	Wheel
MT-12	N22P25044B6	Bolt, Hex
MT-13	N210P25B6	Nut
MT-14	N402AP43B6	Washer
MT-15	N405P13C6	Lockwasher
MT-16	211A3512P1	Caution Decal
MT-17	244A7325P1	Caution Decal
MT-18	N402AP43B6	Washer
MT-19	587E960G1	Housing Ass.
MT-20	247A7400P1	Clamp
MT-21	247A7399P1	Mower Motor Brake Model EA, FA, GA
MT-22	158C9045P1	Baffle Model EA, FA, GA
MT-23	247A7595G1	Foot Guard Asm. Model EA, FA, GA
MT-24	211A3589P1	Grommet
MT-25	247A7552P1	Insert Model EA, FA, GA
MT-26	211A3530P2	Circuit Breaker
MT-27	244A7203P1	Screw
MT-28	243A4600P1	Pin Housing
MT-29	243A4596P1	Socket Housing (Located on Tractor Cable Harness)

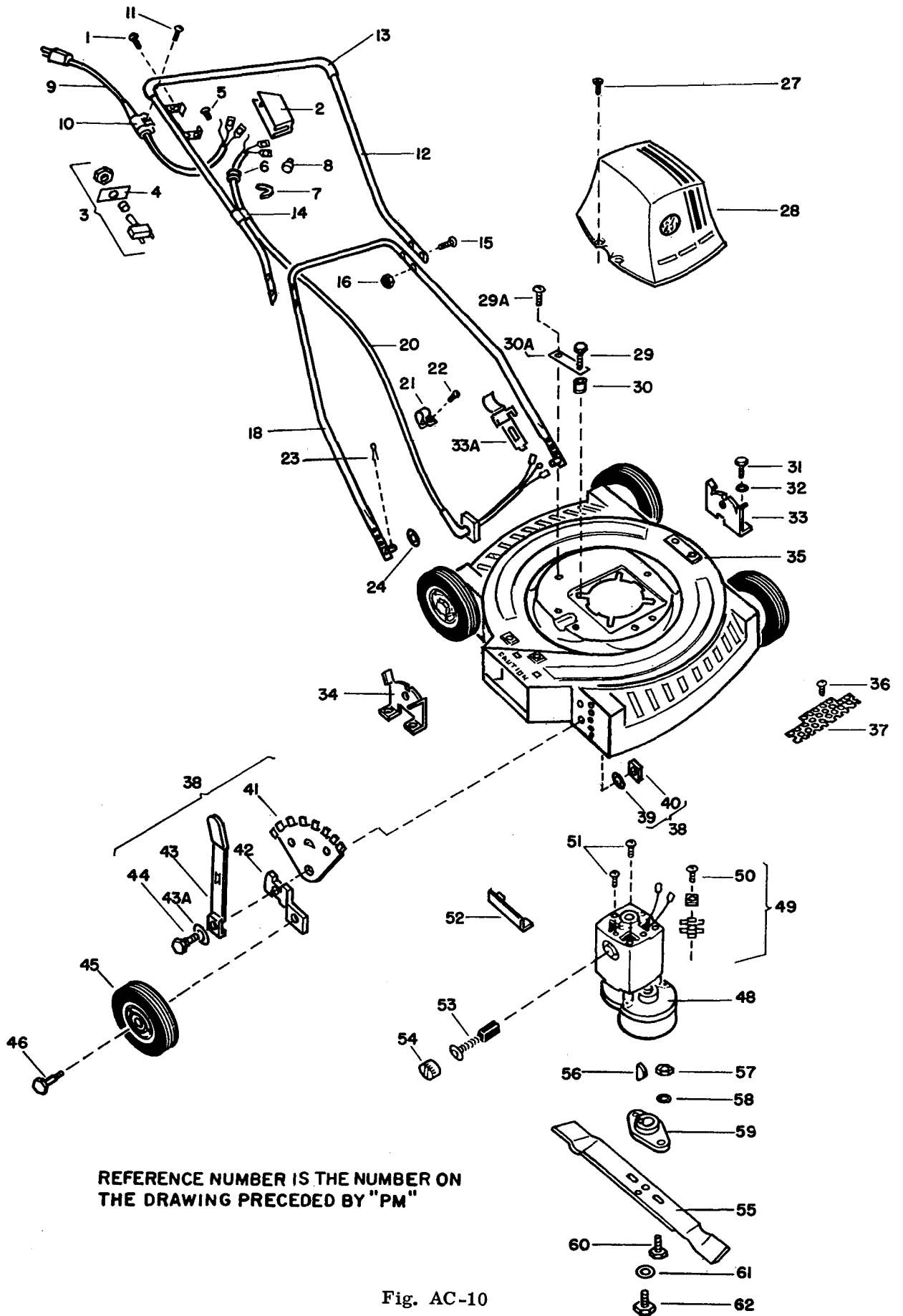


Fig. AC-10

ELEC-TRAK LAWNMOWER - WALK BEHIND

Model PM32B

<u>Ref. No.</u>	<u>Part No.</u>	<u>Description</u>
PM-1	XX2014	Screw (Holds Key 2)
PM-2	XL8419	Switch Housing
PM-3	XL8070	Switch (Less Key 4)
PM-4	XL8083	Escutcheon (For Switch)
PM-5	XX2026	Terminal Screw
PM-6	XX778	Grommet
PM-7	XL8073	Strain Relief
PM-8	XX730	Wire Connector
PM-9	XL8234	Cord Set & Plug
PM-10	XL8063	Clip (Holds 9 to 12)
PM-11	XX2056	Screw (Holds 10 to 12)
PM-12	XL8239	Handle Tube & Sleeve
PM-13	XL8101	Sleeve
PM-14	XL8015	Clip (Holds Key 20 to 12)
PM-15	XL8074	Bolt
PM-16	XX3027	Nut
PM-18	XL8240	Handle Tube (Lower)
PM-20	XL8233	Cord Set (From Switch to Motor)
PM-21	XX782	Cord Clamp
PM-22	XX1005	Screw
PM-23	XX772	Cotter Pin
PM-24	XX5050	Washer
PM-27	XX2006	Screw
PM-28	XL8225	Motor Cover
PM-29	XL8026	Bolt
PM-30	XL8016	Grommet & Washer
PM-31	XX1131	Bolt
PM-32	XX5053	Lockwasher
PM-33	XL8191	Handle Bracket
PM-33A	XL8218	Latch
PM-34	XL8213	Handle Bracket (Chute Side)
PM-35	XL8228	Base Assembly
PM-36	XX2016	Screw
PM-37	XL8146	Screen
PM-38	XL8189	Wheel Height Adjuster (Reversible)
PM-39	XX5080	Lockwasher
PM-40	XX5076	Nut
PM-41	XL8209	Bracket
PM-42	XL8241	Lever
PM-43	XL8211	Wheel Handle
PM-43A	XX5081	Washer
PM-44	XL8242	Shoulder Bolt
PM-45	XL8221	Wheel
PM-46	XL8243	Wheel Bolt
PM-48	XL9000B	Drive Unit (Sold on Exchange Basis Only)
PM-49	XL8010	Terminal Board Kit
PM-50	XX1005	Screw
PM-51	XX1005	Screw
PM-52	XL8103	Baffle
PM-53	XL8031	Carbon Brush & Spring
PM-54	XL8032	Brush Cap
PM-55	XL8138	Blade
PM-56	XL8028	Drive Key
PM-57	XX3038	Adapter Nut
PM-58	XX5064	Lockwasher
PM-59	XL8144	Blade Adapter
PM-60	XX1130	Adapter Bolt
PM-61	XX5068	Lockwasher
PM-62	XL8011	Center Bolt

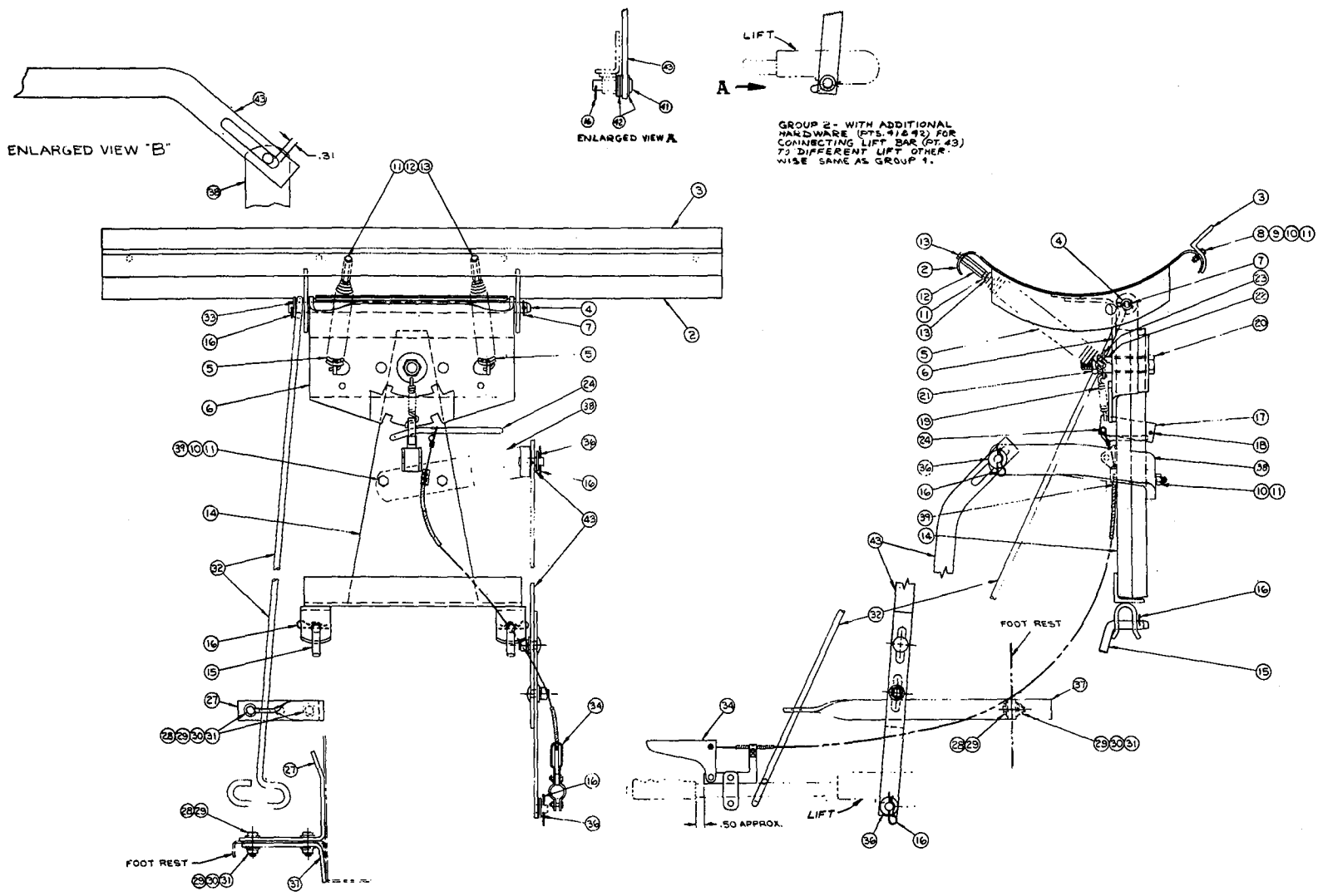


Fig. AC-11

42" SNOW/DOZER BLADE

<u>Ref. No.</u>	<u>Part No.</u>	<u>Description</u>
AB-2	243A4890G2	Blade Asm.
AB-3	178B8059P2	Wear Bar
AB-4	243A4891P2	Pivot Rod
AB-5	243A4892P1	Spring, Blade Trip
AB-6	243A4893G1	Pivot Plate Asm.
AB-7	N503P1520B6	Cotter Pin
AB-8	N62P25016B6	Bolt, Carriage (3/8-16 x 1)
AB-9	N402AP43B6	Washer (3/8)
AB-10	N405P13C6	Lockwasher (3/8)
AB-11	N258P25B6	Hex Nut (3/8-16)
AB-12	243A4894P1	Coupler Nut
AB-13	N22P25024B6	Hex Bolt (3/8-16 x 1.5)
AB-14	155C8009G2	Push Tube Asm.
AB-15	243A4895P1	Drilled Pin
AB-16	243A4543P1	Hair Pin Cotter
AB-17	243A4896P1	Pivot Bar Lock
AB-18	N533P2516B	Spring Pin
AB-19	243A4897P1	Spring, Angle Lock
AB-20	N22P35072B6	Hex Bolt (3/4-10 x 4.50)
AB-21	N213P35B6	Hex Nut (3/4-10)
AB-22	243A4898P1	Spacer
AB-23	243A4899P1	Washer
AB-24	178B8081P1	Handle, Bar Lock
AB-27	178B8259P1	Support Angling Rod
AB-28	N22P23018B6	Hex Bolt (5/16-18 x 1 1/8)
AB-29	N402AP72B6	Washer (5/16)
AB-30	N405P12C6	Lockwasher (5/16)
AB-31	N210P23B6	Hex Nut (5/16-18)
AB-32	178B8255P1	Angling Rod
AB-33	N402AP48B6	Washer (3/4)
AB-34	178B8268G1	Bar Lock Release Cable
AB-36	N402AP45B6	Washer (1/2)
AB-37	178B8287P1	Support Bracket
AB-38	247A7384G1	Lift Bracket Asm.
AB-39	N22P25052B6	Hex Bolt (3/8-16 x 3.25)
AB-41	211A3505P20	Clevis Pin
AB-42	N402AP15B6	Washer (1/2)
AB-43	178B8463G1	Lift Bar Asm.

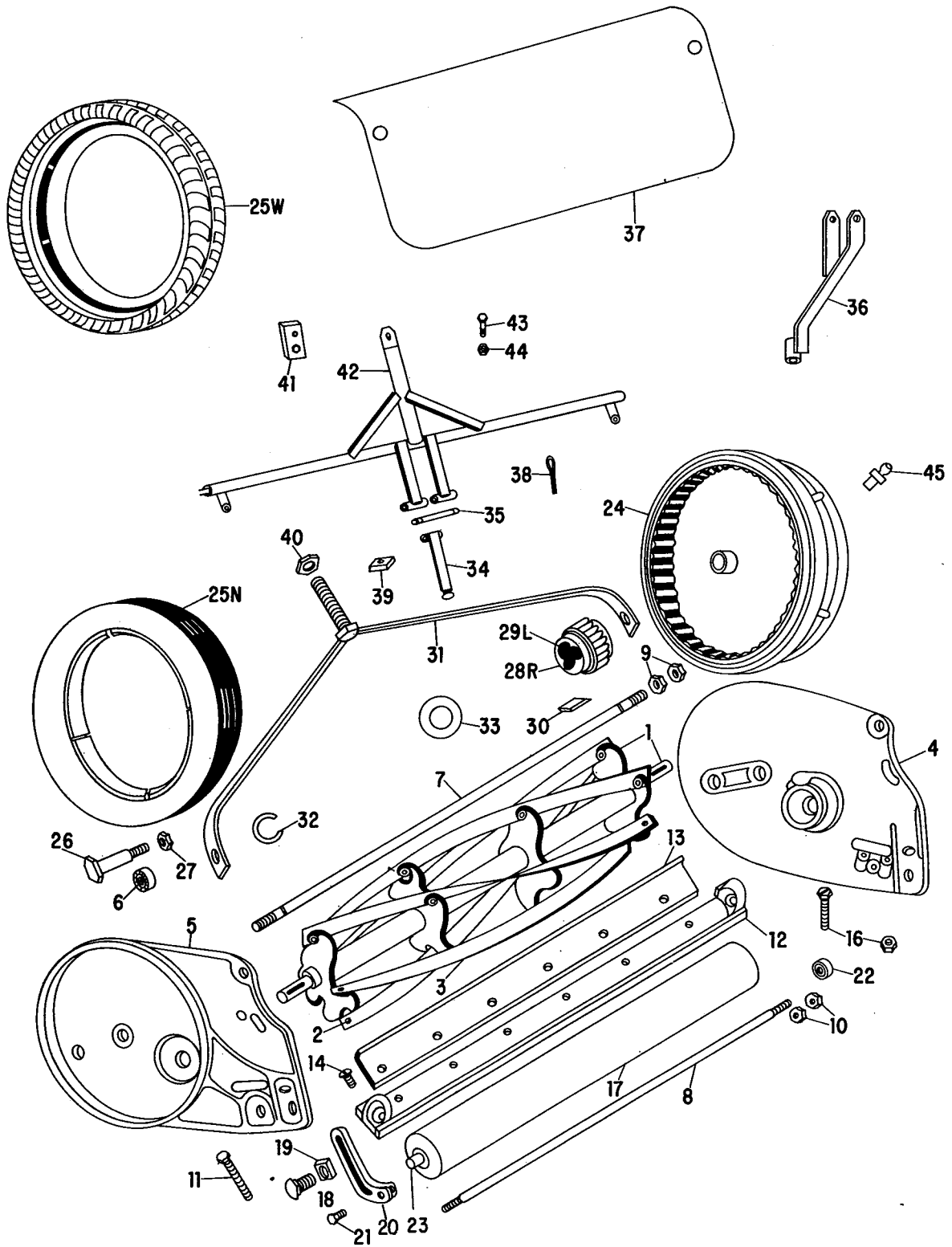


Fig. AC-12

FRONT MOUNTED 56" GANG MOWER

Model AR 56

When ordering parts, always include parts number and full description.

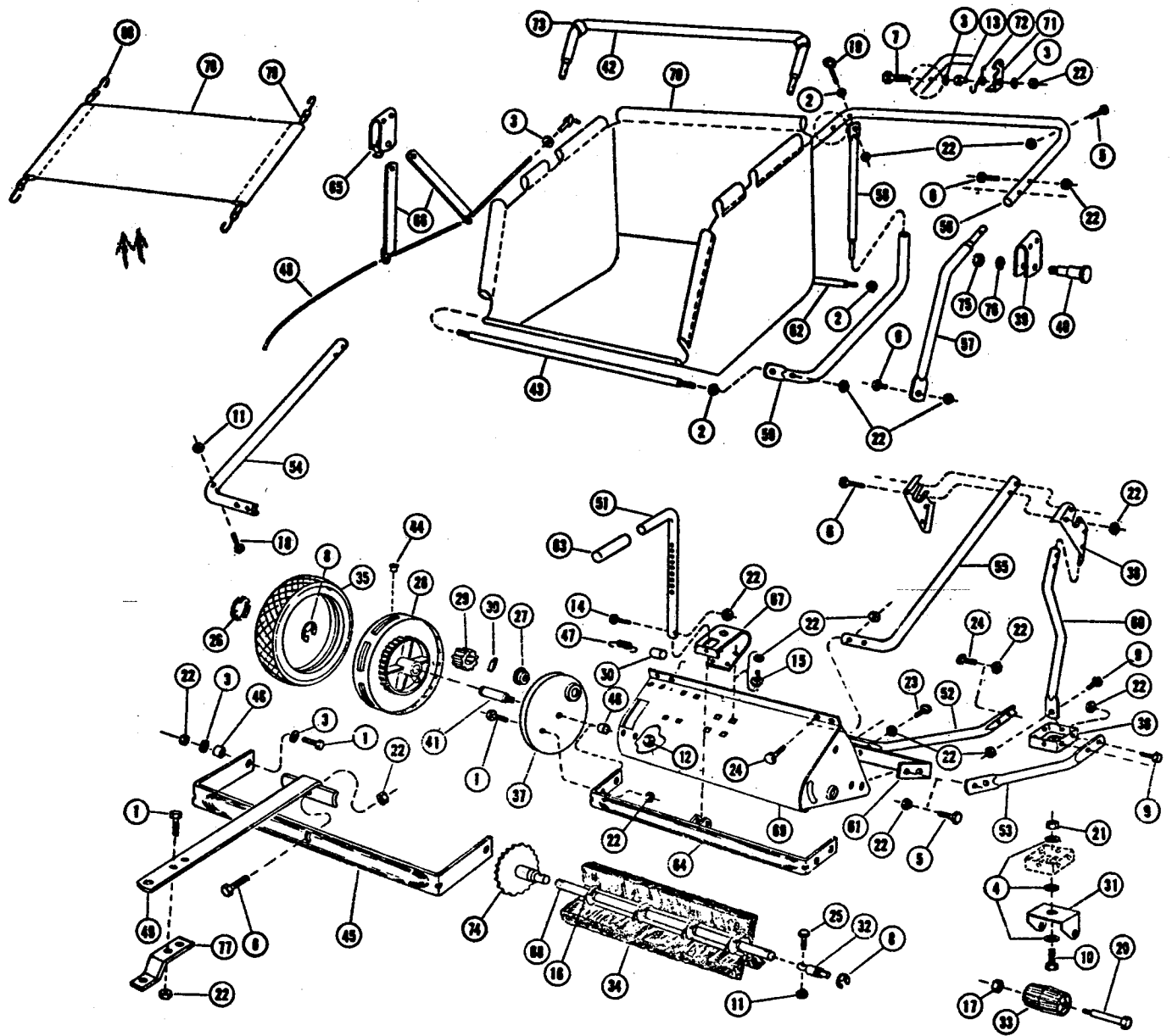
Send orders direct to: Roxy Bonner, Inc.
2000 Pioneer Road
Huntingdon Valley, Pennsylvania 19006

or call: Area Code (215) 675-6869 - Parts

All parts are shipped F.O.B. Huntingdon Valley, Pennsylvania, with terms of net 30 days.

Roxy Bonner warrants its mowers solely against defects in material and workmanship under normal use and service, the obligation under this warranty being limited to making good, at the factory, any parts thereof which shall, within one year after delivery to customer, be returned to company with transportation charges prepaid. This warranty does not apply to any used Roxy mowers or to units repaired or altered in other than company approved shops.

<u>Ref. No.</u>	<u>Part No.</u>	<u>Description</u>
AR-1	6100	Reel Assembly 21"
AR-2	R3-3.5	Reel Blade Rivet
AR-3	6103	Reel Blade
AR-4	6187	Side Plate R - Wide Wheel
AR-5	6188	Side Plate L - Narrow Wheel
AR-6	9400	Side Plate Bearing
AR-7	6128	Tie Rod 5/8, swaged on end
AR-8	6106	Tie Rod 1/2
AR-9	NF-10F	5/8 Jam Nut
AR-10	NF-8F	1/2 Jam Nut
AR-11	B6-12	Side Plate to Cutter Bar Bolt 3/8 x 1 1/4 Hx.
AR-12	6189	Castback
AR-13	6111	Bedknife
AR-14	BK2-12	Bedknife Screws 1/4 x 1/2
AR-15	B05-12	Adj. Screw, Front, 1 1/4
AR-16	B05-14/N5	Adj. Screw, Rear 1 1/2/Locknut 5/16 x 1/2
AR-17	6115	Roller - Less Brg.
AR-18	BJ6-10	Roller Bracket Bolt 3/8 x 1
AR-19	NA-6	Square Nut 3/8
AR-20	6022	Roller Bracket
AR-21	BR4-4	Set Screw 1/4 x 1/2
AR-22	9402	Bearings for Roller
AR-24	6197	Wide Wheel
AR-25W	9408	Wide Tire
AR-25N	9403	Narrow Tire
AR-26	9422	Wide Wheel Stud
AR-26	6119	Narrow Wheel Stud
AR-27	NF-8F	Nut for Wheel Stud 1/2 Hex
AR-28	6123	Pinion, Right
AR-29	6121	Pinion, Left
AR-30	6122	Wheel Pinion Pawl
AR-31	6127	Towing Asm, with Tie Rod 6128
AR-32	9414	Snap Ring, Wh. Shaft
AR-33	6129	Narrow Washer in 6127
AR-34	6140	Extension Arm
AR-35	6066	Extension Arm Pin
AR-36	6515	Hitch for Single Mower Unit
AR-37	6482	Deck
AR-38	C4-10	Cotter Pin 1/8 x 1
AR-39	NA-10	Square Nut 5/8
AR-40	ND-10	Lock Nut 5/8
AR-41	-----	Not Required for Elec-Trak
AR-42	6147	Main Frame
AR-43	B8-24	Hitch Bolt 1/2 x 2 1/2
AR-44	ND8	Lock Nut 1/2
AR-45	9424	Grease Fitting in Wheel



AS

TRAILING LAWN SWEEPER

Model AS 31

General Electric Elec-Trak tractor dealers should contact closest Lambert parts distributor to obtain replacement parts for AS 31.

When ordering parts, always specify model number, part number and description. Send your order direct to:

<u>State</u>	<u>Distributor</u>	<u>Address</u>
California	Tarzana Mower & Engine Parts, Inc.	6075 Reseda Boulevard Reseda, California 91335
Colorado	South Denver Auto Parts & Service	527 West Evans Denver, Colorado 80223
Illinois	Bob's Garden Center	9641 West Grand Avenue Franklin Park, Illinois 60131
Indiana	Roy's Service Shop	R. R. #7, Box 19 Anderson, Indiana 46011
Massachusetts	Morton B. Collins Co.	300 Birnie Avenue Springfield, Massachusetts 01107
Michigan	Wilson's Hardware & Lawn Supplies	1285 W. Eight Mile Road Detroit, Michigan 48203
Minnesota	Ed McDevitt Company	3387-93 Brownlow Avenue Minneapolis, Minnesota 55426
New Jersey	Repair City Corporation	67 East Ridgewood Avenue Paramus, New Jersey 07652
New York	W. J. Norton's Service, Inc.	359 Court Street Binghamton, New York 13904
	C&B Lawnmower & Kart Service	2990 Seneca Street West Seneca, New York 14224
Pennsylvania	Scranton Auto Ignition Co.	1133 Wyoming Avenue Scranton, Pennsylvania 18500
Utah	A-1 Engine & Mower Co.	437 East Ninth, South Salt Lake City, Utah 84111
Washington	Bailey Rebuild, Inc.	1325 East Madison Street Seattle, Washington 98122
Wisconsin	Schlafer Supply Company	115 West College Avenue Appleton, Wisconsin 54911
	Bill's Hardware, Inc.	13885 West Capitol Drive Brookfield, Wisconsin 53005
Canada	Addison Equipment, Ltd.	915 Oxford Street Toronto, Ontario

TRAILING LAWN SWEEPER

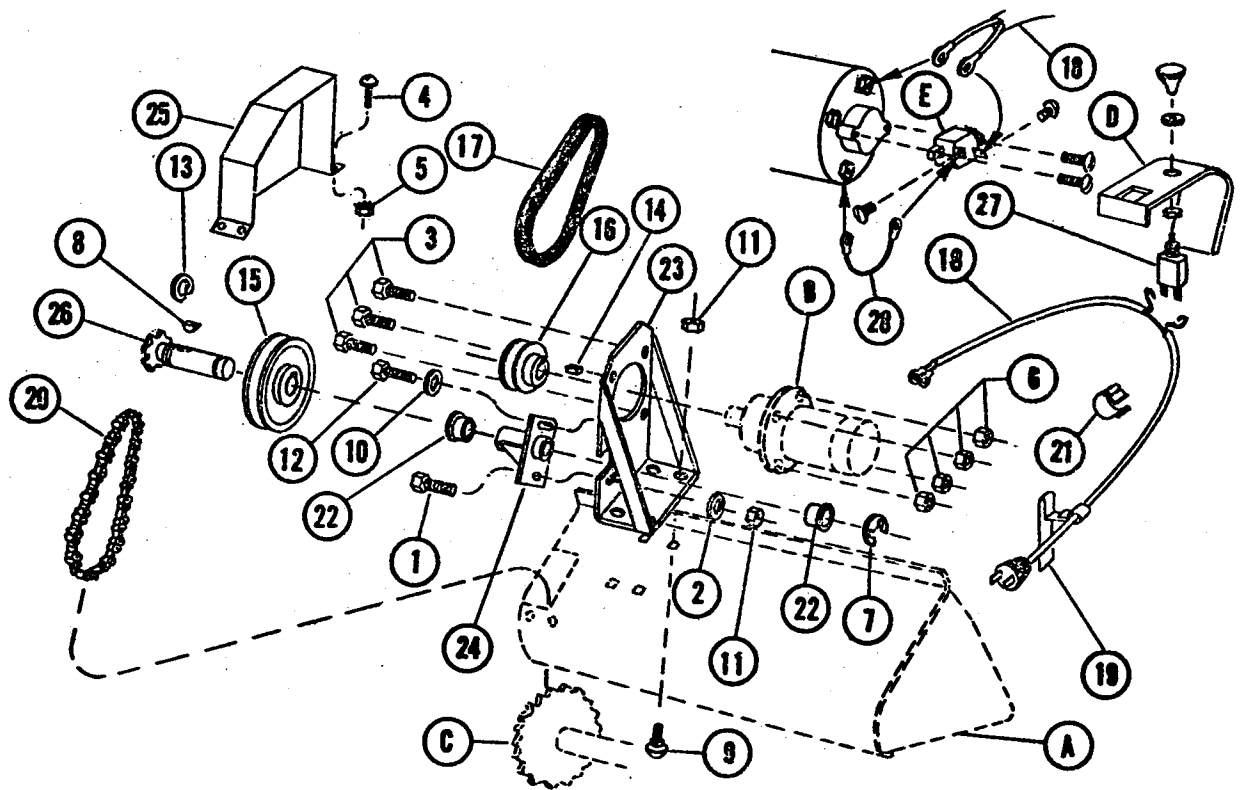
Model AS 31

<u>Ref. No.</u>	<u>Part No.</u>	<u>Description</u>
AS-1	L-59	5/16-18 x 3/4 Hex Cap Screw
AS-2	L-60	5/16-18 Hex Nut
AS-3	L-99	5/16" S.A.E. Flat Washer
AS-4	L-64A	1/2" S.A.E. Flat Washer
AS-5	L-80	5/16-18 x 1 Hex Cap Screw
AS-6	L-81	5/16-18 x 1 1/4 Hex Cap Screw
AS-7	L-127	5/16-18 x 1 1/2 Hex Cap Screw
AS-8	L-262	5/8" E-Type Ret. Ring
AS-9	L-279	5/16-18 x 1/2 Hex Cap Screw
AS-10	X-1258	1/2-13 x 1 1/4 Hex Cap Screw
AS-11	L-303	1/4-20 Lock Nut
AS-12	L-5486M	3/9-24 Lock Nut (Spec.)
AS-13	L-5552	5/16-18 Pilot Nut (Spec.)
AS-14	X-1027	5/16-18 x 1 3/4 Hex Cap Screw
AS-15	X-1042	5/16-18 x 5/8 Carr. Bolt (Spec.)
AS-16	X-1043	Brush Holder Spring
AS-17	X-1127	3/8-24 Lock Nut
AS-18	X-1234	1/4-20 x 1 Eye Bolt
AS-19	X-1235	5/16-18 x 2 3/4 Eye Bolt
AS-20	X-1293	Caster Stud
AS-21	X-1353	1/2-13 Lock Nut
AS-22	X-1107	5/15-18 Lock Nut
AS-23	X-1358	5/16-18 x 1 1/4 Tube Bolt
AS-24	X-1359	5/16-18 x 1 Tube Bolt
AS-25	X-2020	1/4-20 x 1 Hex Cap Screw
AS-26	L-5471B	Hub Cap
AS-27	L-5497A	Freeway Bearing
AS-28	L-5750A	Die Cast Wheel Assembly
AS-29	L-5753H	Pinion Gear
AS-30	L-5761H	Pinion Pawl
AS-31	1-1640	Caster Bracket
AS-32	1-1179	Brush Stud Axle
AS-33	1-1633	Caster Roller
AS-34	1-1421	Brush Strip
AS-35	1-1637	10 x 2.25 Tire
AS-36	1A-1638	Caster Plate Assembly
AS-37	1-1428	Wheel Shield
AS-38	1-1429	Frame Pivot Bracket
AS-39	1-1430	Pivot Bracket
AS-40	1-1443	Pivot Pin
AS-41	1-1444	Wheel Stud
AS-42	1-1454	Pivot Stand Tube
AS-43	1-1455	Hamper Tie Rod
AS-44	L-288	Oiler
AS-45	1-1817	"U" Bar
AS-46	1-1458	Spacer (Axle)
AS-46	1-1526	Spacer (Hitch)
AS-47	1-1465	Adjustment Spring
AS-48	1-1467	Dump Rope
AS-49	1A-1782	Hitch Tongue
AS-50	1-1474	Retainer Tube
AS-51	1-1479	Adjustment Tube
AS-52	1-1601	Pivot Stand Brace
AS-53	1-1825	Pivot Stand Brace
AS-54	1-1488	Pivot Stand Tube R.

TRAILING LAWN SWEEPER (Continued)

Model AS 31

<u>Ref. No.</u>	<u>Part No.</u>	<u>Description</u>
AS-55	1-1489	Pivot Stand Tube L.
AS-56	1-1493	Top Hamper Tube
AS-57	1-1495	Side Hamper Tube
AS-58	1-1496	Hamper Tube
AS-59	1-1497	Bottom Tube
AS-60	1-1602	Pivot Support R.
AS-60	1-1603	Pivot Support L.
AS-61	1-1770	Stiffener
AS-62	1-1519	Rear Hamper Rod
AS-63	1-1522B	Handle Grip
AS-64	1A-1780	Bumper Assembly
AS-65	1A-1484	Bracket Assembly
AS-66	1A-1440	Lever Assembly
AS-67	1A-1823	Adjustment Bracket
AS-68	1A-1419	Brush Axle Assembly
AS-69	1A-1791	Shield Assembly
AS-70	1A-1818	Hamper Assembly
AS-71	1-1537	Hamper Latch
AS-72	1-1538	Latch Spring
AS-73	1-1604	Rubber Sleeve
AS-74	1A-1408	Drive Sprocket Assembly
AS-75	X-1126	3/8-24 Hex Nut
AS-76	X-1070	3/8" Lock Washer
AS-77	1-1553	Hitch Pin Bracket
AS-78	1A-1562	Wind Apron
AS-79	1A-1605	Stretch Cord
AS-80	X-1361	Cord Hook



KS

LAWNSWEEPER MOTOR KIT

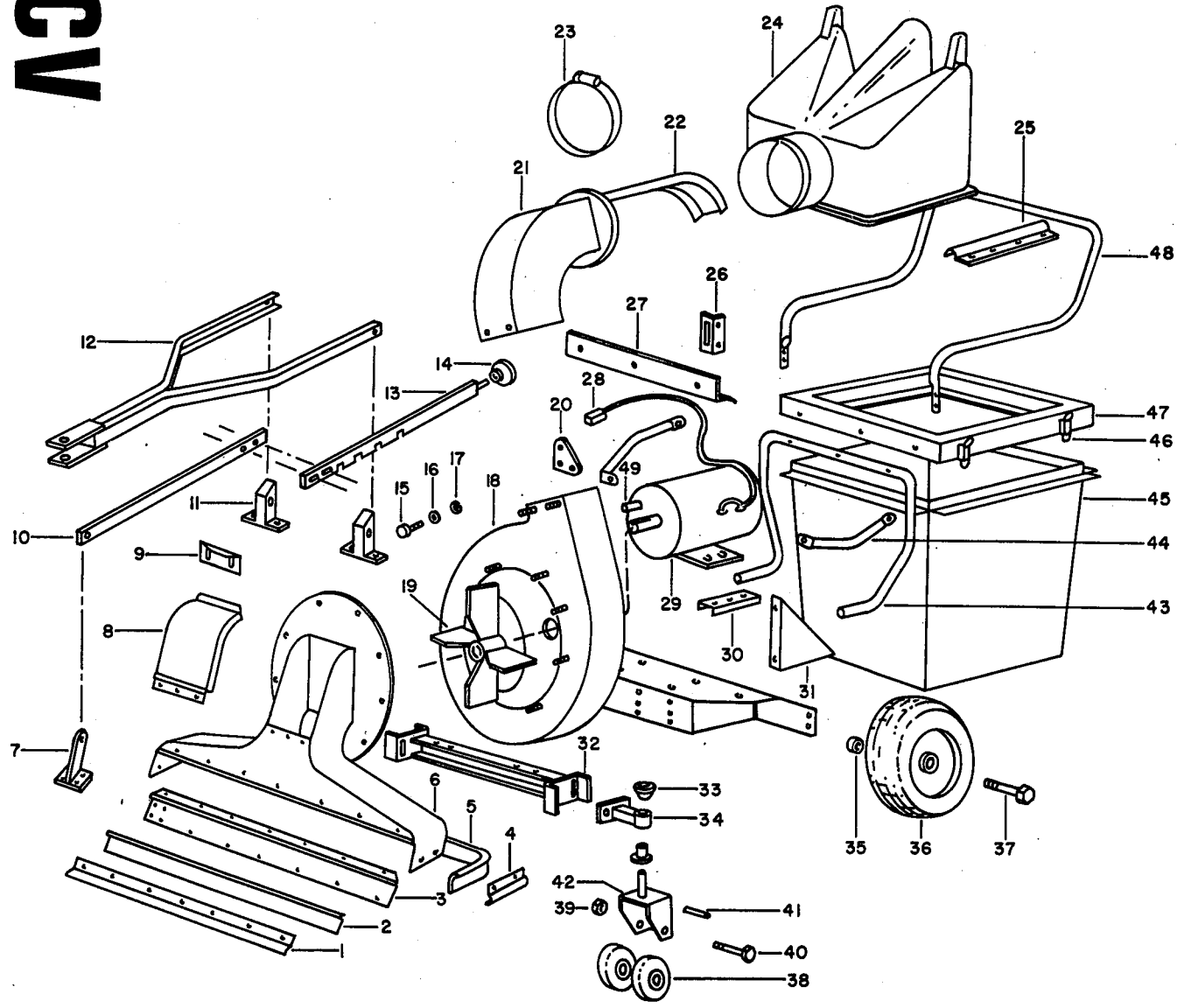
Model KS 31

When ordering parts, always specify model number, quantity and description in detail.

Send orders direct to your nearest Lambert dealer (see AS 31 for a listing). For the motor kits KS 32 which is required in conjunction with the KS 31 kit, contact outdoor power equipment, Schenectady, New York.

<u>Ref. No.</u>	<u>Part No.</u>	<u>Description</u>
1	L-59	5/16-18 x 3/4 Hex Cap Screw
2	L-99	5/16" S. A. E. Flat Washer
3	L-172	1/4-20 x 3/4 Hex Cap Screw
4	L-242A	#10-24 x 1/2 Rd. Head Mach. Sc.
5	L-242B	#10-24 Kep-Nut
6	L-303	1/4-20 Lock Nut
7	X-1003	3/4" E-Type Ret. Ring
8	X-1008	#9 Woodruff Key
9	X-1042	5/16-18 x 5/8 Carr. Bolt
10	X-1099	1/4" S. A. E. Flat Washer
11	X-1107	5/16-18 Lock Nut
12	X-1182	1/4-20 x 1 1/4 Hex Cap Screw
13	X-1363	3/4" Crescent Ring
14	X-1394	5/32 Sq. x 1/2" Key
15	1-1804	5" O.D. A-Sect. Pulley
16	1-1805	2 1/2" O.D. A-Sect. Pulley
17	1-1806	20" A-Sect. Belt
18	1-1808	10' Cord W/Switch & Rec.
19	1-1809	Cord Clip
20	1-1810	#65-46 Pitch Chain
21	4-10146	Cord Clamp
22	4-10697	Jackshaft Bushing
23	1A-1794	Mounting Bracket Ass'y.
24	1A-1798	Jackshaft Mounting Ass'y.
25	1A-1801	Belt Guard
26	1A-1803	Jackshaft Ass'y.
27	1A-1824	On-Off Switch
28	1A-1830	Circuit Breaker Wire

GV



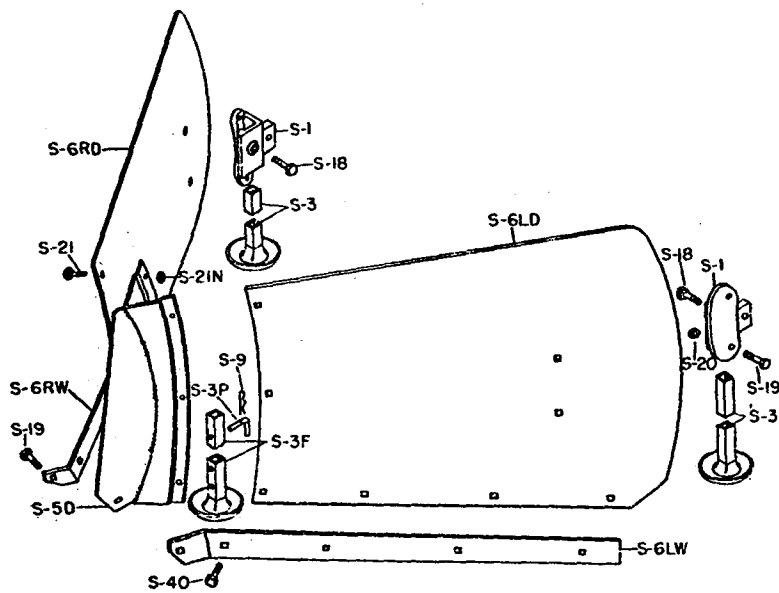
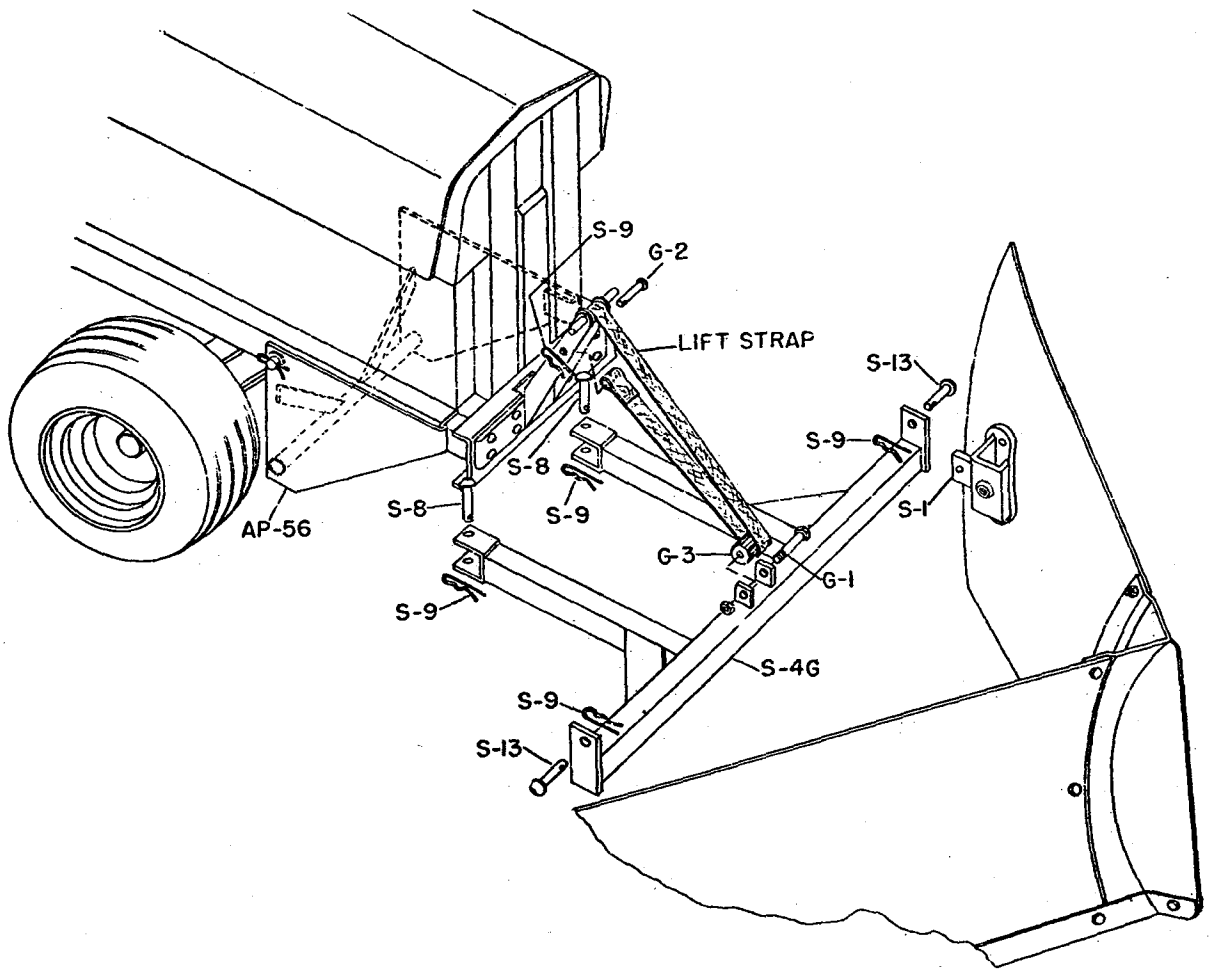
VACUUM
Model CV 60

When ordering parts, always specify model number, quantity, and description in detail.

Send orders direc to: Ecology Products
Tariffville, Connecticut

or call: Area Code (203) 658-2226

<u>Ref. No.</u>	<u>Part No.</u>	<u>Description</u>
1	60352-0	Clamping Strip Front and Rear
2	60351	Skirt, Door
3	40111-0	Door Assembly
4	60353-0	Clamping Strip Side
5	60350	Skirt - Rear and Side
6	40103-0	Intake Housing
7	40222-0	Bracket Assembly
8	40109-0	Cover Assembly
9	60018-0	Lever, Lower
10	60218-0	Latch
11	40375-0	Tow Bracket
12	40379-0	Tow Bar
13	60219-0	Lever Upper
14	60244	Knob
15	60077	Bolt 5/16-24 x 1 3/4
16	60076	Washer 5/16 Lock
17	60075	Washer 5/16 Flat
18	40388	Housing Assembly
19	40079	Impeller 12" Dia.
20	60486-0	Plate, Brace
21	40138-0	Chute Assembly
22	60144-0	Deflector
23	60149	Clamp 8"
24	60233	Venting Bag
25	60285	Clamping Strip
26	60221	Bracket, Lever Locking
27	60281	Guide Angle
28	40404	Wiring Harness
29	60391	Motor G. E.
30	60095-0	Riser Channel
31	60392-0	Brace Housing to Base
32	40118-0	Carrier Bar Assembly
33	60131	Bearing
34	40126	Caster Extension
35	60025	Nut, Lock 5/8-18
36	60359	Wheel Pneumatic 10"
37	60029	Bolt 5/8-18 x 3 3/4
38	60026	Wheel 5" Dia.
39	60025	Nut, Lock 3/8-16
40	60024	Bolt 3/8-16 x 4
41	60023	Sleeve Axle
42	40125-0	Caster Bracket
43	60229	Handle Lower
44	60139	Brace
45	40288	Container
46	60290	Catch
47	40279-0	Frame Assembly Container
48	60230	Handle Upper



BV

V-PLOW
Model BV 48

When ordering parts, always specify model number, quantity, and description in detail.

Send orders direct to: Lantz Manufacturing Division
 Superior Implement and Supply Co.
 Greenville, Ohio 45331

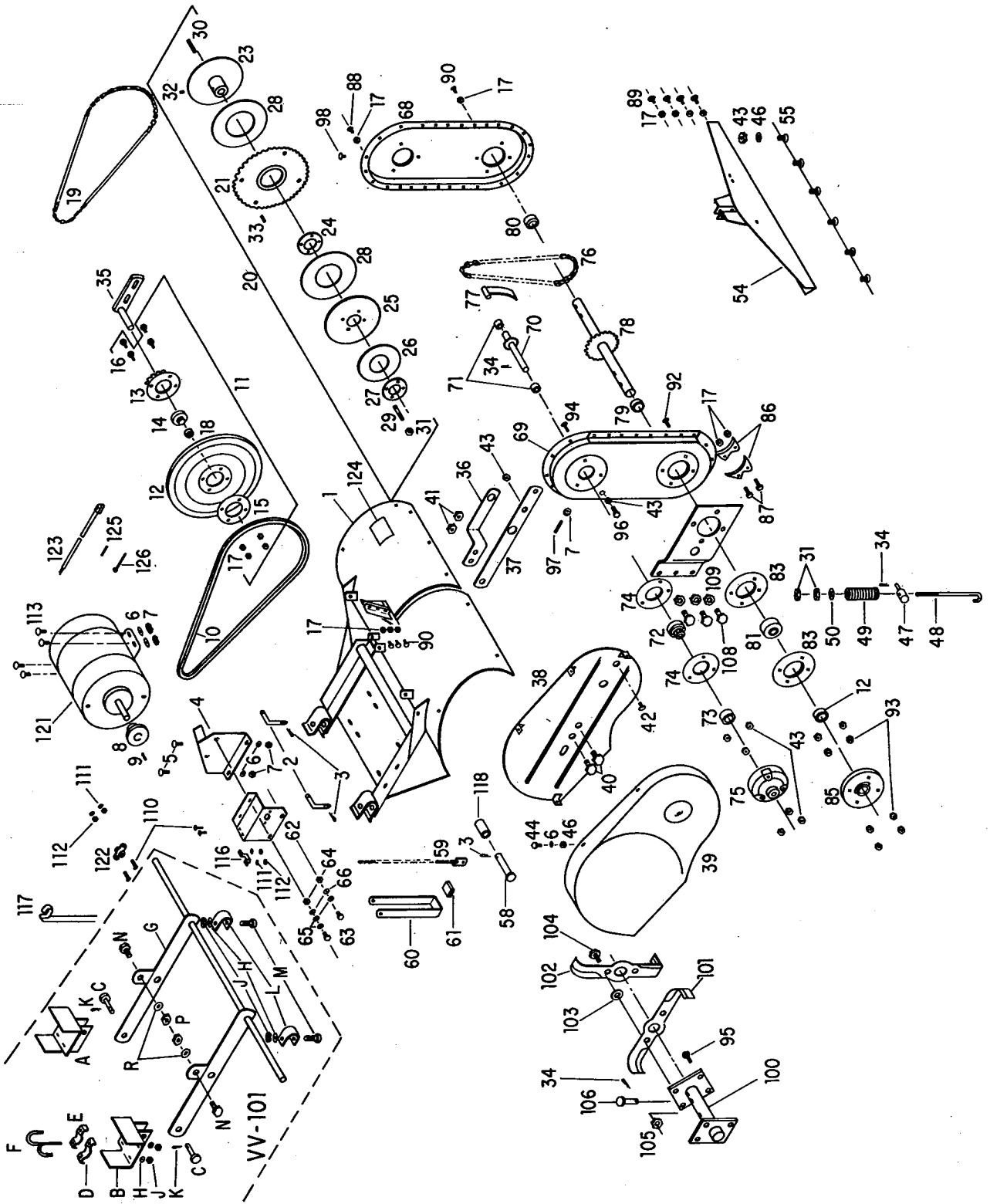
or call: Area Code (513) 548-2171

<u>Part No.</u>	<u>Description</u>
S-5D	Center Nosepiece
S-6LD	Left Blade Section, Deluxe
S-6RD	Right Blade Section, Deluxe
S-6LW	Left Wear Edge
S-6RW	Right Wear Edge
S-1	Main Frame Mounting Brackets
G-1	Cap Screw and Grip Nut, 3/8" x 2-3/4"
G-2	Clevis Pin, 5/16" x 2-1/2"
G-3	Plastic Sleeve, 2" Long
S-19	Carriage Bolt, 5/16" x 1"
S-20	Grip Nuts for 5/16" Dia. Bolts
S-21	Carriage Bolt, 1/4" x 1/2"
S-21N	Grip Nuts for 1/4" x 1/2"
S-40	Carriage Bolts, 5/16" x 3/4"
S-4G	Main Frame
S-8	Clevis Pins, 3/8" x 1-7/8"
S-13	Clevis Pins, 1/2" x 1-27/64"
S-9	Hairpin Clips for Clevis Pins

OPTIONAL GAUGE SHOE KIT

Model KS 30

<u>Part No.</u>	<u>Description</u>
S-3	Gauge Shoe, Side
S-3F	Gauge Shoe, Front
S-3P	Front Gauge Shoe Pin
S-18	Cap Screw, 3/8" x 3/4"
S-9	Hairpin Clip



ROTARY TILLER

Model VV 100

When ordering parts, always include part number and full description.

Send orders direct to:

Brinly-Hardy Company, Inc.
340 E. Main Street
Louisville, Kentucky 40202

or call: Area Code (502) 585-3351

<u>Ref. No.</u>	<u>Part No.</u>	<u>Description</u>
VV-1	V-114	Shroud Assembly
VV-2	B-1610P	Pin, Drilled 5/8" D.
VV-3	D-146P	Hair Pin Cotter 1/8" x 1 7/8"
VV-4	V-126	Shield, Belt-Motor
VV-5	1M1016P	Hex Hd. Bolt, 5/16-18 x 1"
VV-6	40M1000P	Lockwasher 5/16"
VV-7	30M1000P	Hex Nut 5/16"
VV-8	V-127	Pulley, Driver with Set Screw
VV-9	V-158	Key 3/16" Sq. x 1 1/4"
VV-10	V-131	V Belt
VV-11	V-132	Pulley & Sprocket Assy (Mech. Assm.)
VV-12	V-133	Pulley - 11"
VV-13	V-134	Sprocket & Cup Assy
VV-14	V-137	Bearing 3/4" Sealed
VV-15	V-138	Washer, Reinforcing
VV-16	2M0810P	Hex Bolt 1/4"-20 x 5/8"
VV-17	B-1673P	Hex Lock Nut 1/4"-20
VV-18	V-139	Lock Collar 3/4"
VV-19	V-145	Roller Chain, ASA-50
VV-20	V-322	Sprocket-Torque Limiter Assy (Mech. Ass'm.)
VV-21	V-323	Sprocket Assembly with Bushing
VV-23	V-326	Hub Assembly
VV-24	V-329	Ring, Spacer
VV-25	V-330	Disc. Outer
VV-26	V-331	Spring, Washer
VV-27	V-332	Ring, Spring Deflector
VV-28	V-333	Clutch, Disc
VV-29	V-334	Stud, Spec. 3/8" D.
VV-30	V-335	Key, Sq. (1/4" Sq. x 1 3/4")
VV-31	30M1200P	Hex Nut 3/8"-16
VV-32	V-336	Set Screw 5/16" x 1/4"
VV-33	V-355	Roll Pin 5/16" D. x 3/4"
VV-34	50M0416P	Cotter Pin 1/8" D. x 1.0"
VV-35	V-146	Shaft-Arm Ass'y.
VV-36	V-149	Arm, Pivot (Outer)
VV-37	V-150	Arm, Pivot (Inner)
VV-38	V-151	Shield Ass'm., Inner
VV-39	V-154	Shield Outer
VV-40	V-295	Hex Hd. Bolt 5/8"-18 x 2"
VV-41	32M2000P	Hex Nut 5/8"-18
VV-42	25M1016P	Flat Hd. Mach. Screw 5/16" x 1.00"
VV-43	B-1674P	Hex Lock Nut 5/16"-18
VV-44	1M1008P	Hex Hd. Bolt 5/16" x 1/2"
VV-46	45M1111P	Flat Washer 5/16" SAE
VV-47	V-155P	Trunnion-Spring Rod

ROTARY TILLER (Continued)

Model VV 100

<u>Ref. No.</u>	<u>Part No.</u>	<u>Description</u>
VV-48	V-156P	"J" Bolt
VV-49	V-157P	Compression Spring
VV-50	45M1313P	Flat Washer 3/8" SAE
VV-52	45M1717P	Flat Washer 1/2" SAE
VV-54	V-159	Shroud Brace Ass'm. W.A.
VV-55	11M1012P	Carr. Bolt 5/16"-18 x 3/4"
VV-58	V-163P	Pin, Drilled 1/2" D. x 4 1/4"
VV-59	V-359P	Limit Chain Ass'm.
VV-60	V-369	Lift Limiter
VV-61	V-370	Pad-Vinyl
VV-62	V-361	Bracket-Circuit Breaker
VV-63	1M0812P	Hex Bolt 1/4"-2 x 3/4"
VV-64	30M0800P	Hex Nut 1/4"-20
VV-65	45M0909P	Flat Washer 1/4" SAE
VV-66	40M0800P	Lock Washer 1/4"
VV-68	V-167	Chain Housing Ass'm. (R.H.)
VV-69	V-172	Chain Housing Ass'm. (L.H.)
VV-70	V-174	Shaft & Sprocket Ass'm. 10T
VV-71	V-177	Spacer, Drive Shaft
VV-72	V-178	Bearing 1" Sealed
VV-73	V-179	Lock-Collar (1")
VV-74	V-180	Flangette Half - 1"
VV-75	V-181	Hub, Pivot (for 1" Shaft)
VV-76	V-182	Chain, Roller (ASA 60)
VV-77	V-183	Chain Tightener Ass'm.
VV-78	V-186	Tine Shaft & Sprocket Ass'm.
VV-79	V-190	Spacer, Tine Shaft (Long)
VV-80	V-191	Spacer, Tine Shaft (Short)
VV-81	V-192	Bearing 1 1/4" Bore
VV-82	V-193	Locking Collar 1 1/4"
VV-83	V-194	Flangette Half 1 1/4"
VV-84	V-195	Plate-Attaching (Lower)
VV-85	V-196	Cap, Bearing Guard
VV-86	V-197	Wear Bar
VV-87	2M0832P	Hex Bolt 1/4"-20 x 2.00"
VV-88	13M0808P	Carriage Bolt (Short Sq. Neck)
VV-89	11M0816P	Carriage Bolt 1/4" x 1"
VV-90	10M0812P	Carriage Bolt 1/4" x 3/4"
VV-92	V-207	Carriage Bolt Gr. 5 3/8"-16 x 1 1/2" Thd. to Hd.
VV-93	B-1675P	Hex Lock Nut 3/8"-16
VV-94	B-199P	Carriage Bolt 5/16"-18 x 1 1/2"
VV-95	2M1416P	Hex Bolt 7/16 x 1"
VV-96	1M1032P	Hex Bolt 5/16-18 x 2"
VV-97	V-200	Hex Socket Set Screw 5/16"-18 x 1 1/2"
VV-98	V-201	Cover, Oil Hole
VV-100	V-376	Tine Attachment Ass'm.
VV-101	M43480	Tine R.H. 1/4" x 13-1/2"
VV-102	M43481	Tine L.H. 1/4" x 13 1/2"
VV-103	B723	Washer-Spec.
VV-104	2M1424P	Hex Bolt 7/16"-14 x 1 1/2"
VV-105	B-1676	Hex Lock Nut 7/16"-14
VV-106	B-1345P	Pin-Tine Tub. Conn. 1/2" D. x 2"
VV-108	2M1632P	Hex Bolt 1/2"-13 x 2"
VV-109	B-1677P	Hex Lock Nut 1/2"-13

ROTARY TILLER (Continued)

Model VV 100

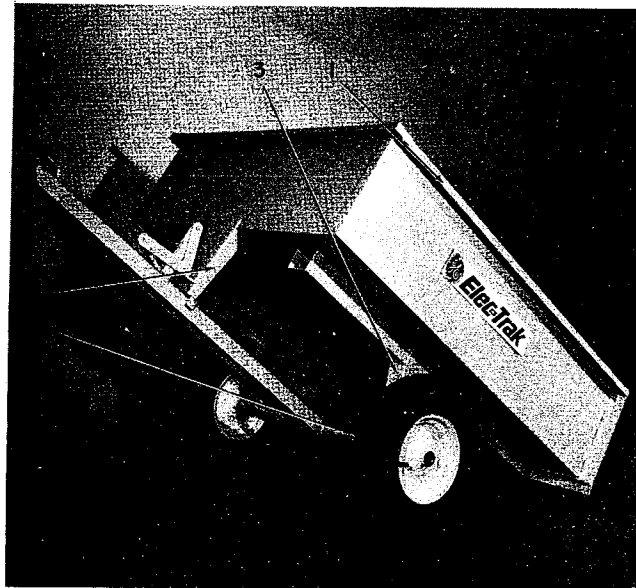
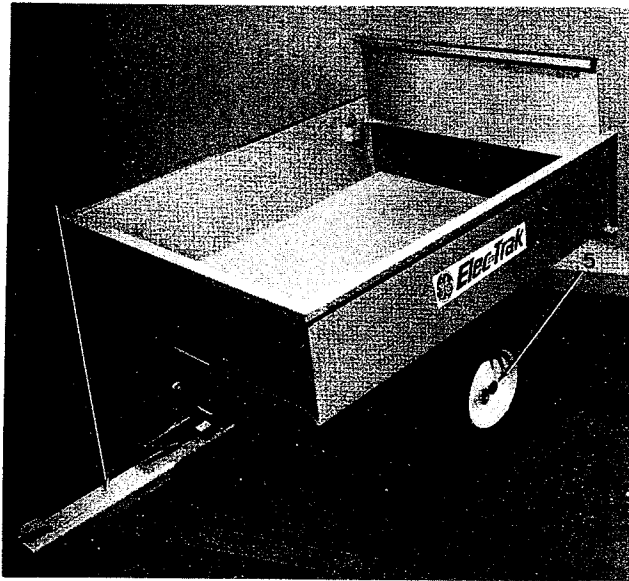
<u>Ref. No.</u>	<u>Part No.</u>	<u>Description</u>
VV-110	V-128P	Pan Head Mach. Screw-Phillips Hd. 10-32 x 7/8"
VV-111	V-130P	Lockwasher #10
VV-112	V-129P	Hex Nut #10-32
VV-113	11M1016P	Carriage Bolt 5/16"-18 x 1.0"
VV-116	V-362P	Cable Clamp
VV-117	V-375	Clip-Power Cable
VV-118	V-374	Tube-Roller
VV-121*	163B9956P1	Motor-Tiller
VV-122*	243A4606P1	Circuit Breaker
VV-123*	243A4528G1	Cord Ass'm.
VV-124*		Decal, Caution
VV-125*	211A3556G3	Jumper Wire
VV-126*	243A4540P2	Cable Tie

TILLER MOUNTING BRACKET

Model VV 101

<u>Ref. No.</u>	<u>Part No.</u>	<u>Description</u>
VV-A	V-100	Axle Bracket, R. H.
VV-B	V-101	Axle Bracket, L. H.
VV-C	H200P	Drilled Rivet 1/2" D. x 1 1/2"
VV-D	V-106	Spacer, Axle (Outer-Heavy)
VV-E	V-107	Spacer, Axle (Inner-Light)
VV-F	V-108P	"U" Bolt 3/8" D.
VV-G	V-109	Bail Ass'm.
VV-H	40M1200P	Lock Washer 3/8"
VV-J	30M1200P	Hex Nut 3/8"-16
VV-K	D-146P	Hair Pin Cotter 1/8" x 1 7/8"
VV-L	V-105	Clevis-Positioning
VV-M	10M1232P	Carriage Bolt 3/8"-16 x 2"
VV-N	1M1620P	Hex Bolt 1/2"-13 x 1 1/4"
VV-P	30M1600P	Hex Nut 1/2"-13
VV-R	40M1600P	Lock Washer 1/2"

*GE Parts - Available through O. P. E. O.
All other parts available through Brinly-Hardy Co.



AF

12 CUBIC FOOT DUMP CART

MODEL AF 12

WHEN ORDERING PARTS, ALWAYS INCLUDE PART NUMBERS AND
FULL DESCRIPTION.

SEND ORDERS DIRECT TO: OHIO STEEL FABRICATORS
2575 FERRIS ROAD
COLUMBUS, OHIO 43224

OR CALL: AREA CODE (614) 471-4800

<u>REF. NO.</u>	<u>PART NO.</u>	<u>DESCRIPTION</u>
AF-1	3648-1	BODY
AF-2	3648-7	LATCH SPACER
AF-3	3648-8	STRUT (2 REQUIRED)
AF-4	3648-9	DRAW BAR
AF-5	3648-10	WHEEL (2 REQUIRED)
AF-6	3648-11	AXLE

ENCLOSED CAB

Model AG 55

When ordering parts, always specify cab, model number, part number and description in detail.

Send orders direct to: Curtis Tractor Cab, Inc.
7 Brookfield Street
Worcester, Massachusetts 01605

or call: Area Code (617) 752-4086

Each cab is guaranteed one year to be free of defects in parts and workmanship. Under guarantee all defective parts must be returned to Curtis, freight prepaid, and replacements will be returned freight collect.

<u>Part No.</u>	<u>Description</u>
AG-1	Roof
AG-2	Front, Complete with Glass Windshield
AG-3	Front, Without Glass Windshield
AG-4	Rear Legs, Right and Left
AG-5	Left Side Curtain with Zipper
AG-6	Right Side Curtain
AG-7	Rear Curtain
AG-8	Windshield Wiper Motor (12-volt)
AG-9	Windshield Wiper Arm
AG-10	Windshield Wiper Blade
AG-11	Male Snaps for Cab (Require Rivets)
AG-12	Rivets (Special Machine Required to Set - <u>Not Available</u>)
AG-13	Threaded Male Snaps and Nuts
AG-14	Rubber for Mounting Windshield Glass
AG-15	Safety Glass for Windshield
AG-16	5/16-18 Bolt, Nut and Washer
AG-17	5/8 I.D. Grommet for Wiper Installation
AG-18	3/16 I.D. Grommet for Wiper Installation
AG-19	Cab Shipping Carton
AG-20	Mounting Pads for Fenders (2 Required)
AG-21	Mounting Pad for Windshield

CANOPY TOP, DOUBLE SEAT, GOLF BAG HOLDER

Model BC 11 Model BD 22 Model BG 33

When ordering parts, always specify model number, quantity, and description in detail.

Send orders direct to:

Breton Industries, Inc.
10 Leonard Street
Amsterdam, New York

or call: Area Code (518) 374-5329

CANOPY TOP

Model BC 11

<u>Qty.</u>	<u>Description</u>
1	Canopy Cover
2	Front and Rear Frame Member
2	Side Frame Member
2	Front Upright
2	Rear Upright
1	Front Mounting Bracket
2	Rear Mounting Bracket
2	Rear Cross Brace
8	1/2-20 x 3/4" Hex Bolt
2	1/4-20 x 1 1/4" Hex Bolt
2	1/4-20 x 1/2" Hex Bolt
12	1/4-20 Lock Nut
2	5/16-18 x 3/4" Hex Bolt
2	5/16-18 x 1" Hex Bolt
4	Washer
4	5/16-18 Lock Nut

DOUBLE SEAT

Model BD 22

<u>Qty.</u>	<u>Description</u>
2	Arms
1	Seat Back
1	Seat Bottom
8	5/16-18 x 1 1/2" Black Cap Screws
4	5/16-18 x 1 1/2" Plated Cap Screws
4	Leveler Bolts
8	Washers

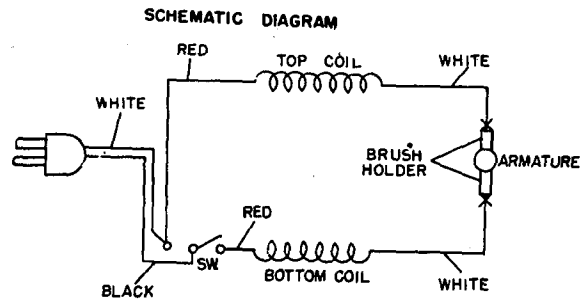
GOLF BAG HOLDER

Model BG 33

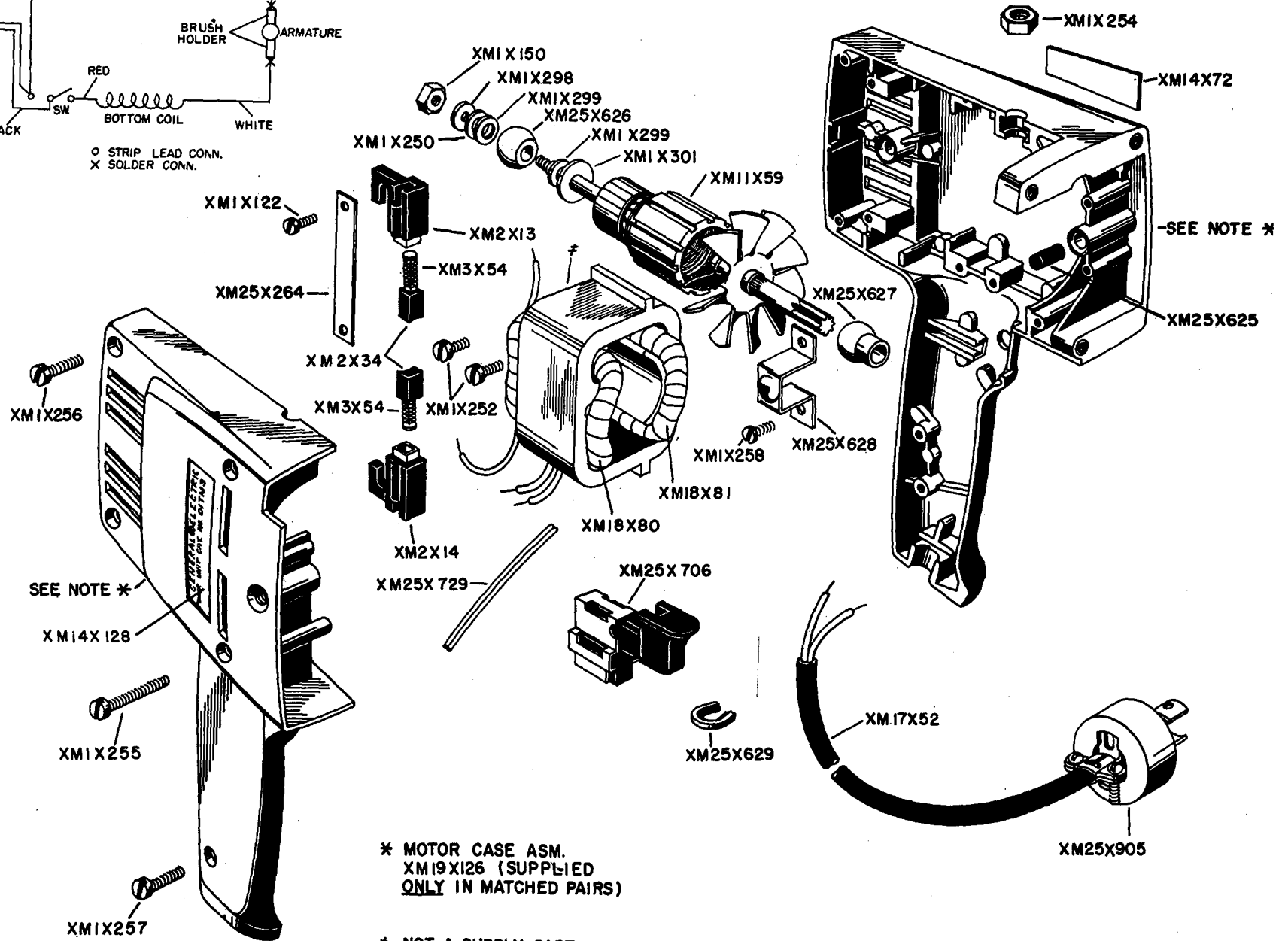
<u>Qty.</u>	<u>Description</u>
1	Bag Rest
1	Tubular Upright
1	Base Box
1	Left Stabber
1	Right Stabber
1	44" Nylon Bearing
3	1/4-20 x 1 1/2" Hex Head Cap Screw
1	1/4-20 x 1 3/4" Hex Head Cap Screw
4	1/4-20 Lock Nut
4	5/16-18 x 3/4" Hex Head Cap Screw
4	5/16-18 Lock Nut

TM

MODEL TM3 POWER UNIT



○ STRIP LEAD CONN.
× SOLDER CONN.



* MOTOR CASE ASM.
XM19X126 (SUPPLIED
ONLY IN MATCHED PAIRS)

#-NOT A SUPPLY PART

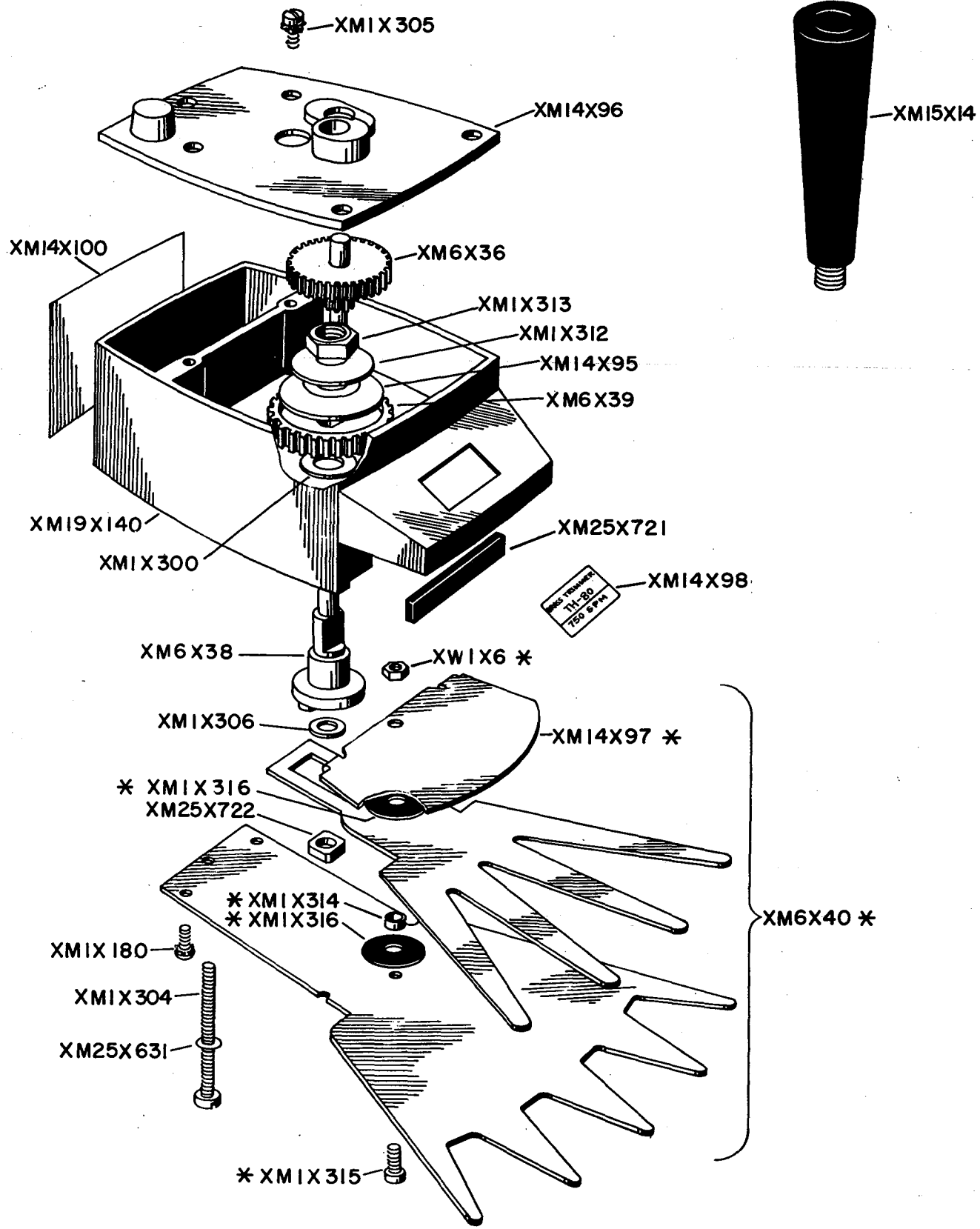
POWER UNIT

Model TM 3

The Model TM 3 POWER UNIT is designed to be used in conjunction with the models TH 20 (1/4" or TH 30 (3/8") drills, TH 70 hedge trimmer and/or the TH 80 grass trimmer to make a complete power tool assembly. It develops 1/3 horsepower, has a die cast aluminum housing, a trigger switch (which can be locked for continuous running) and a 20 foot yellow line cord with an armored locking plug at its end. Arrangement has been made for the attachment of helper handles in three areas or positions. The D1TM3 is approved for use on direct current only and at 36 volts D.C. is rated 7.0 amps.

For spare and renewal parts, contact your nearest General Electric Housewares Service Center; see attachment for address, telephone, etc.

<u>Part No.</u>	<u>Description</u>
XM 1X122	Screw Bearing Cap
XM 1X150	Nut Armature
XM 1X250	Washer, Armature
XM 1X252	Screw, Field
XM 1X254	Nut, Helper Handle
XM 1X255	Screw, Motor Mount (Front)
XM 1X256	Screw, Motor Case (Rear)
XM 1X257	Screw, Motor Case (Handle)
XM 1X258	Screw, Bearing Strap
XM 1X298	Washer, Armature
XM 1X299	Washer, Armature
XM 1X301	Washer, Armature
XM 2X 13	Brush Holder, R.H.
XM 2X 14	Brush Holder, L.H.
XM 2X 34	Brush
XM 3X 54	Spring, Carbon Brush
XM11X 59	Armature
XM14X 72	Escutcheon Plate
XM14X128	Rating Plate
XM17X 52	Power Cord
XM18X 80	Coil, Upper
XM18X 81	Coil, Lower
XM19X126	Case Assembly
XM25X264	Bearing Cap
XM25X625	Oil Wick
XM25X626	Bearing, Rear
XM25X627	Bearing, Front
XM25X628	Bearing Strap
XM25X629	Strain Relief Clip
XM25X706	Switch
XM25X729	Wire, Field Retaining
XM25X905	Plug, Power Cord



* - INCLUDES ALL PARTS IN A COMPLETE ASM.

TH

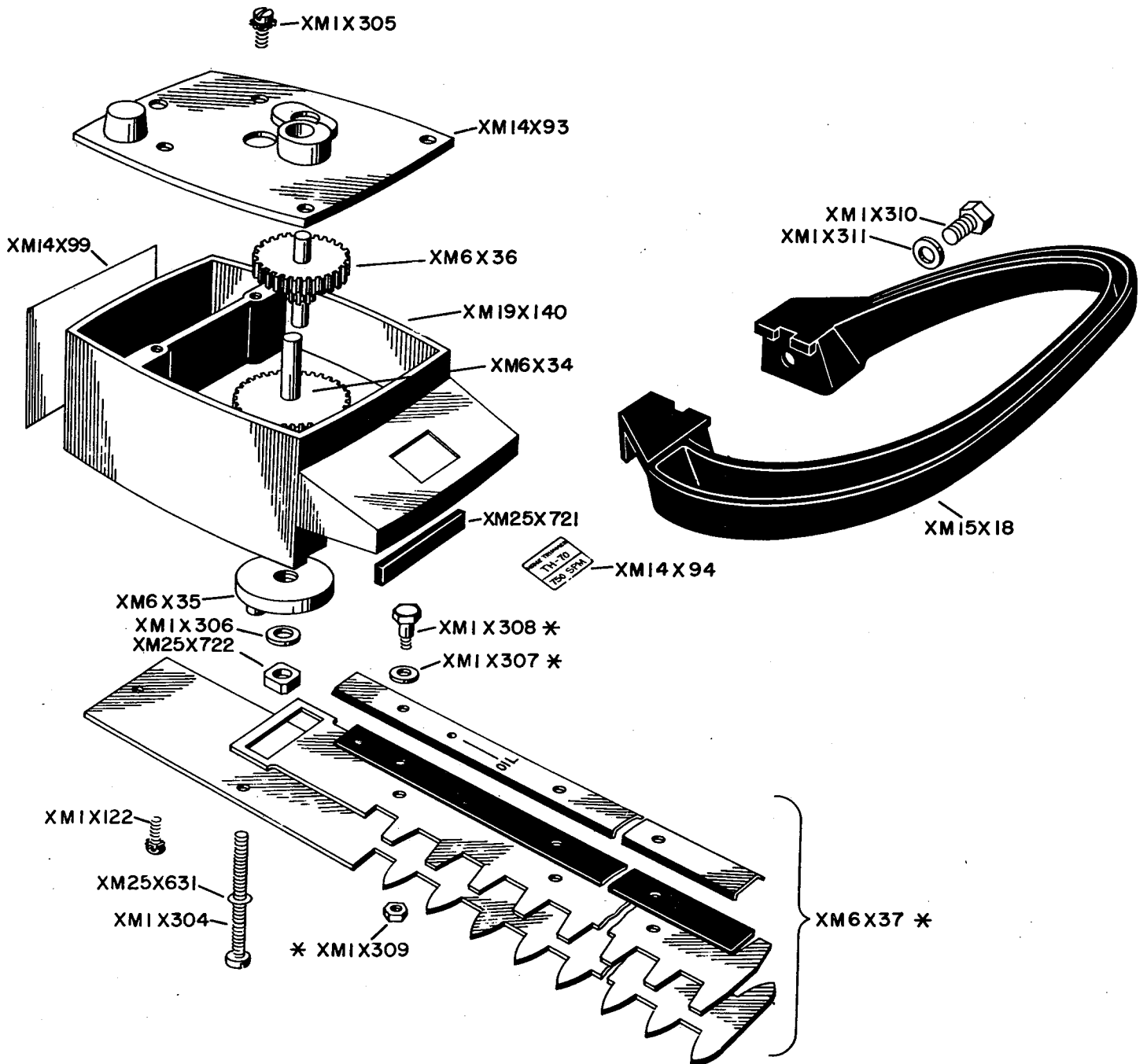
GRASS TRIMMER HEAD

MODEL TH 80

THE MODEL TH 80 GRASS TRIMMER HEAD IS DESIGNED TO OPERATE WITH ANY ONE OF THE GENERAL ELECTRIC POWER UNITS. IT HAS A DIE CAST ALUMINUM HOUSING, A TWO-STAGE REDUCTION GEAR ASSEMBLY AND A SLIP-CLUTCH MECHANISM. THE BLADES ARE SELF-SHARPENING AND BLACK-OXIDE FINISHED. ONE IS STATIONARY WITH FIVE TEETH WHILE THE OTHER IS RECIPROCATING AND HAS FOUR TEETH. THE 17TH80 HAS A CUTTING WIDTH OF 5" AT 750 STROKES PER MINUTE WHEN ATTACHED TO THE POWER UNIT. A HELPER HANDLE IS INCLUDED.

FOR SPARE AND RENEWAL PARTS, CONTACT YOUR NEAREST GENERAL ELECTRIC HOUSEWARES SERVICE CENTER; SEE ATTACHMENT FOR ADDRESS, TELEPHONE, ETC.

<u>PART NO.</u>	<u>DESCRIPTION</u>
XW 1X 6	NUT, BLADE ASSEMBLY
XM 1X180	SCREW, BLADE TO CASE
XM 1X300	WASHER, DRIVE SHAFT
XM 1X304	SCREW, CAPTIVE
XM 1X305	SCREW, INTERMEDIATE PLATE
XM 1X306	SPRING WASHER, DRIVE PLATE
XM 1X312	WASHER, CLUTCH PLATE
XM 1X313	NUT, DRIVE SHAFT
XM 1X314	BUSHING, BLADE ASSEMBLY
XM 1X315	SCREW, BLADE ASSEMBLY
XM 1X316	FELT WASHER, BLADE ASSEMBLY
XM 6X 36	INTERMEDIATE SHAFT ASSEMBLY
XM 6X 38	DRIVE SHAFT ASSEMBLY
XM 6X 39	DRIVE GEAR
XM 6X 40	BLADE ASSEMBLY
XM14X 95	CLUTCH PLATE
XM14X 96	INTERMEDIATE PLATE ASSEMBLY
XM14X 97	BLADE RETAINER
XM14X 98	NAMEPLATE
XM14X100	WARNING LABEL
XM15X 14	HANDLE
XM19X140	CASE ASSEMBLY
XM25X631	RETAINING RING
XM25X721	FELT DIRT SEAL
XM25X722	FOLLOWER



* - INCLUDES ALL PARTS
IN A COMPLETE ASM.

TH

HEDGE TRIMMER HEAD

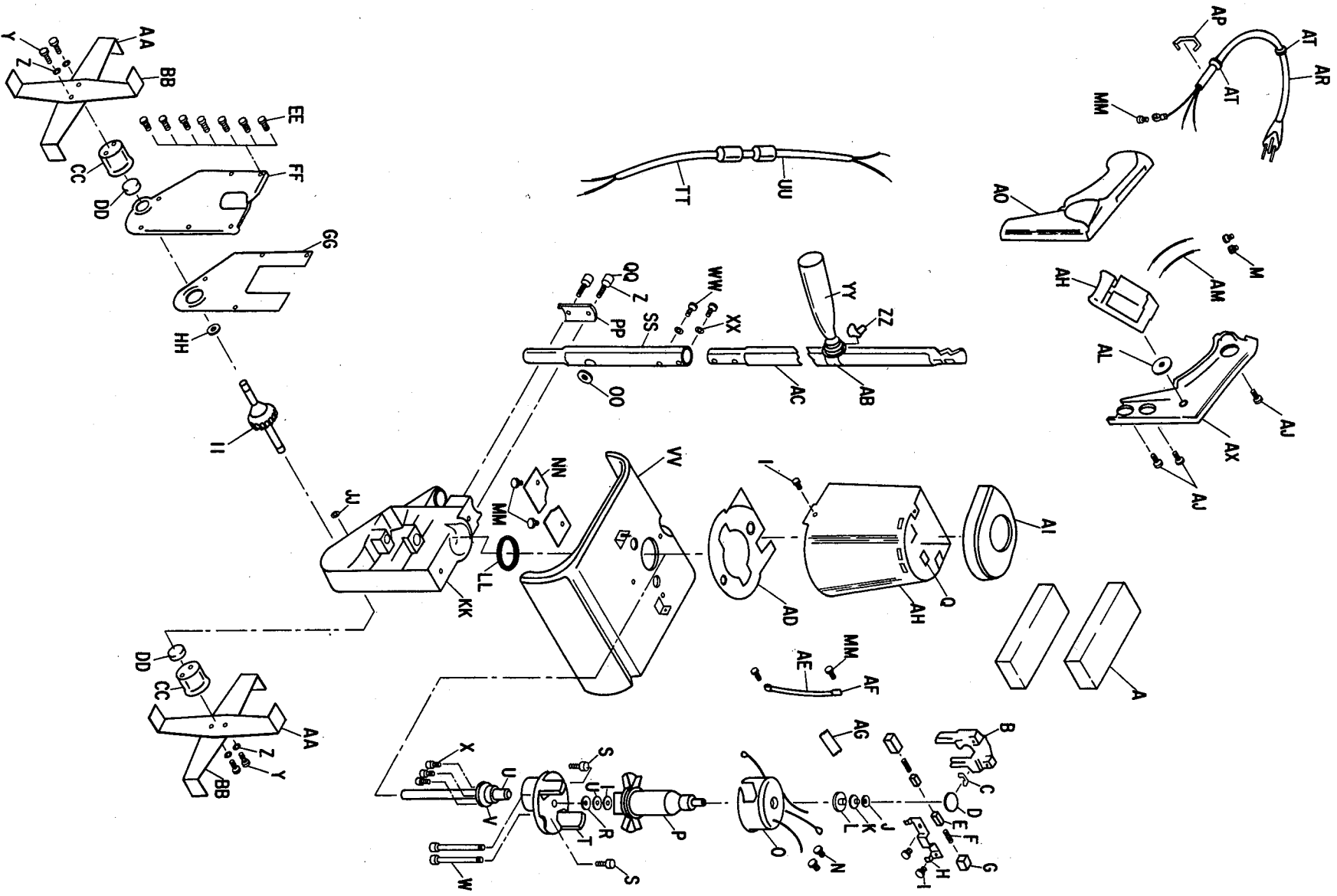
MODEL TH 70

THE MODEL TH 70 HEDGE TRIMMER HEAD IS DESIGNED FOR USE WITH ANY ONE OF THE GENERAL ELECTRIC POWER UNITS. IT HAS A DIE-CAST ALUMINUM HOUSING, A TWO-STAGE REDUCTION GEAR ASSEMBLY, WHICH CAUSES THE BLADES TO OPERATE AT 750 STROKES PER MINUTE. THE BLADES ARE 15" LONG, ARE BLACK-OXIDE FINISHED AND SELF-SHARPENING. A BALE TYPE PLASTIC HANDLE IS INCLUDED.

FOR SPARE AND RENEWAL PARTS, CONTACT YOUR NEAREST GENERAL ELECTRIC HOUSEWARES SERVICE CENTER; SEE ATTACHMENT FOR ADDRESS, TELEPHONE, ETC.

<u>PART NO.</u>	<u>DESCRIPTION</u>
XM 1X122	SCREW, BLADE ASSEMBLY
XM 1X304	SCREW, CAPTIVE
XM 1X305	SCREW, INTERMEDIATE PLATE
XM 1X306	SPRING WASHER, DRIVE PLATE
XM 1X307	SPRING WASHER, BLADE ASSEMBLY
XM 1X308	SCREW, BLADE ASSEMBLY
XM 1X309	LOCKNUT, BLADE ASSEMBLY
XM 1X310	BOLT, HANDLE
XM 1X311	WASHER, HANDLE
XM 6X 34	DRIVE SHAFT ASSEMBLY
XM 6X 35	DRIVE PLATE
XM 6X 36	INTERMEDIATE SHAFT ASSEMBLY
XM 6X 37	BLADE ASSEMBLY
XM14X 93	INTERMEDIATE PLATE ASSEMBLY
XM14X 94	NAMEPLATE
XM14X 99	WARNING PLATE
XM15X 18	HANDLE
XM19X140	CASE ASSEMBLY
XM25X631	RETAINING RING
XM25X721	FELT DIRT SEAL
XM25X722	FOLLOWER

HC



WEEDER CULTIVATOR

Model HC 05

When ordering parts, always include part number, model number, and full description.

Send orders direct to:

Mc Graw Edison
Power Tool Division
Parts and Service Dept.
1501 East Main Street
St. Charles, Illinois 60174

or call: Area Code (312) 584-1750

Minimum order is \$2.00 with terms of net 30 F.O.B. St. Charles, Illinois.

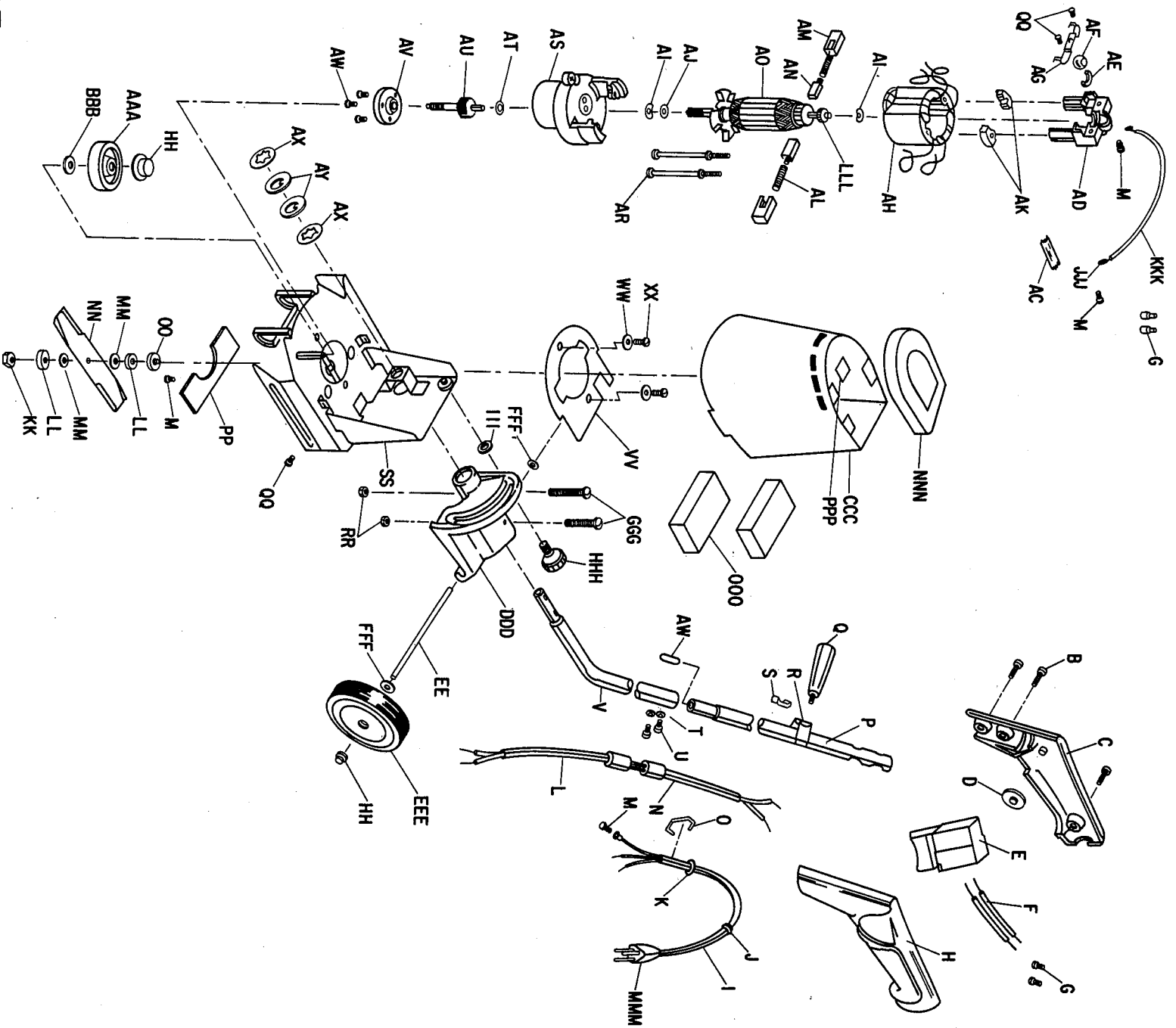
<u>Ref. No.</u>	<u>Ref. Letter</u>	<u>Part No.</u>	<u>Description</u>
HC-1	A	01-01525	Filter
HC-2	B	06-00474	Stator Bracket
HC-3	C	01-00452	Oil Felt
HC-4	D	09-00044	Bronze Bearing
HC-5	E	14-00094	Carbon Brush
HC-6	F	14-00068	Brush Spring
HC-7	G	14-00045	Brush Holder
HC-8	H	27-00054	Spring, Brush Holder & Bearing
HC-9	I	22-00713	Screw
HC-10	J	27-00008	Loading Spring
HC-11	K	17-00313	Fibre Washer
HC-12	L	17-00100	Fibre Washer
HC-13	N	16-00004	Connector
HC-14	O	08-00222	Field Assembly
HC-15	P	07-00217	Armature Assembly
HC-16	Q	22-00586	Speed Nut
HC-17	R	17-00101	Fibre Washer
HC-18	S	22-00158	Screw
HC-19	T	S-06-00478	Gear Box Assembly
HC-20	U	17-00090	Steel Washer
HC-21	V	S-03-00525	Motor Shaft Assembly
HC-22	W	22-00089	Screw
HC-23	X	22-00387	Screw
HC-24	Y	22-00560	Screw
HC-25	Z	17-00181	Lock Washer
HC-26	AA	43-00359	Blade
HC-27	BB	43-00358	Blade
HC-28	CC	06-00910	Adapter
HC-29	DD	17-00208	Washer
HC-30	EE	22-00474	Screw
HC-31	FF	S-06-00476	Cover
HC-32	GG	17-00411	Gasket
HC-33	HH	17-00005	Steel Washer
HC-34	I I	S-01-01528	Drive Shaft
HC-35	JJ	10-00060	Ball
HC-36	KK	S-06-00911	Drive Housing Assembly (Includes Drive Shaft Bearing 9-20 and Motor Shaft Bearing 9-59)
HC-37	LL	17-00304	Felt Washer
HC-38	MM	22-00594	Screw
HC-39	NN	43-00378	Dust Shield
HC-40	PP	43-00398	Clamp
HC-41	QQ	22-00476	Screw
HC-42	RR	06-00909	Adapter



WEEDER CULTIVATOR (Continued)

Model HC 05

<u>Ref. No.</u>	<u>Ref. Letter</u>	<u>Part No.</u>	<u>Description</u>
HC-43	SS	43-00363	Handle, Lower Half
HC-44	TT	11-00090B	Cord Set
HC-45	UU	11-00088B	Cord Set
HC-46	VV	43-00364	Upper Guard
HC-47	WW	22-00616	Screw
HC-48	XX	17-00086	Lock Washer
HC-49	YY	AH-00-00022B	Handle
HC-50	ZZ	43-00394	Bridge
HC-51	AB	43-00400	Strap
HC-52	AC	43-00497	Handle, Upper Half
HC-53	AD	01-00932	Bottom Baffle
HC-54	AG	23-00115	Tape
HC-55	AH	43-00374	Motor Housing
HC-56	AI	05-00948	Cap
HC-57	AJ	22-00676	Screw
HC-58	AK	44-00229	Handle Support
HC-59	AL	28-00095	Rubber Pad
HC-60	AN	18-00253	Switch
HC-61	AO	44-00230	Handle Cover
HC-62	AR	11-00225	Cord Set
HC-63	AS	11-00226	Plug
HC-64	AT	23-00272	Insulator



HE

LAWN EDGER TRIMMER

Model HE 06

When ordering parts, always include part number, model number and full description.

Send orders direct to:

Mc Graw Edison
Power Tool Division
Parts and Service Dept.
1501 East Main Street
St. Charles, Illinois 60174

or call: Area Code (312) 584-1750

Minimum order is \$2.00 with terms of net 30 F.O.B., St. Charles, Illinois.

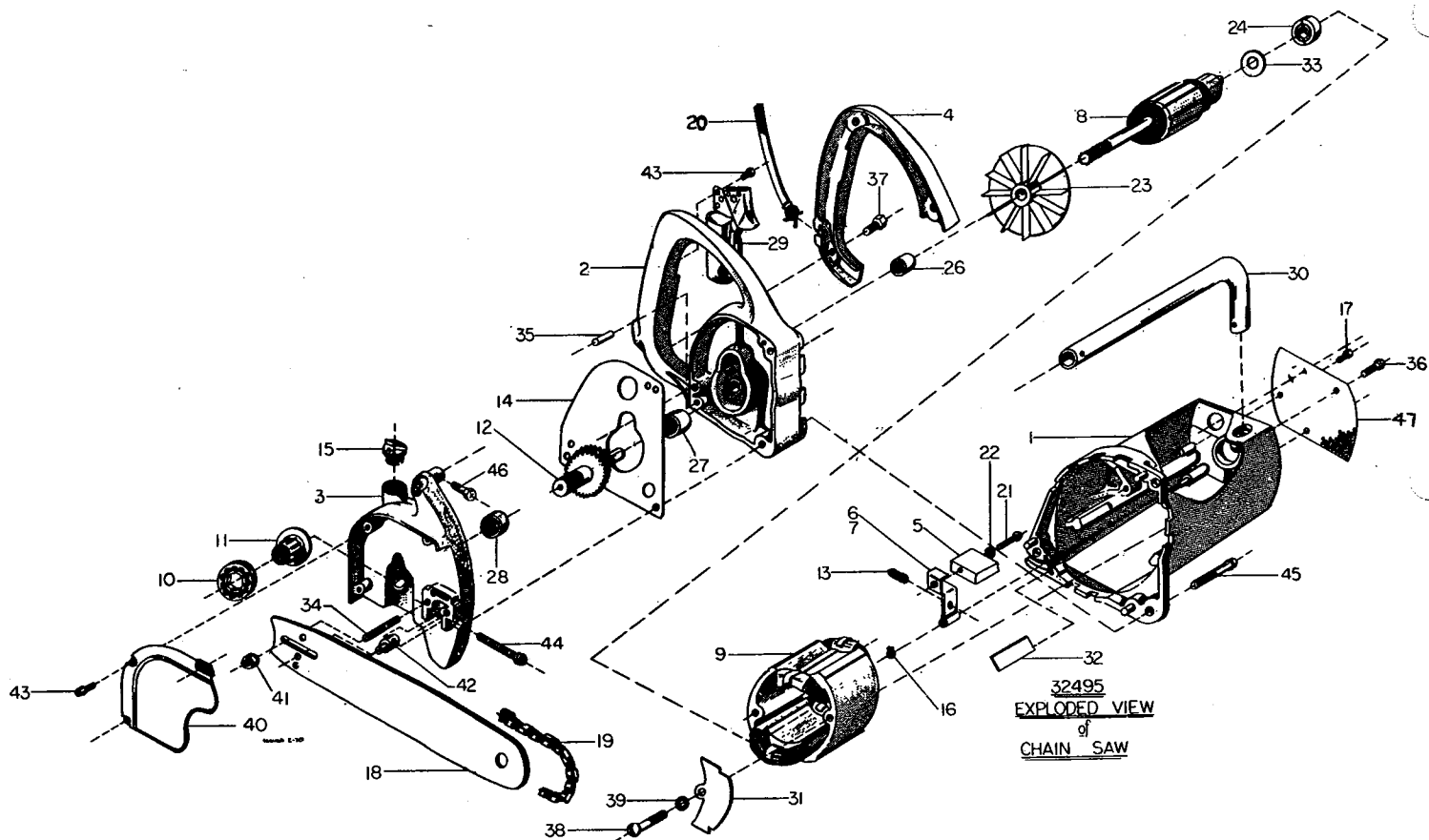
<u>Ref. No.</u>	<u>Ref. Letter</u>	<u>Part No.</u>	<u>Description</u>
HE-1	B	22-00676	Screw, 2 Required
HE-2	C	44-00229-B	Handle, Support Half
HE-3	D	28-00095	Rubber Pad
HE-4	E	18-00135	Switch
HE-5	F	39-00126	Lead Wire
HE-6	G	16-00004	Connector
HE-7	H	44-00230-B	Handle, Cover Half
HE-8	I	11-225	Power Cord
HE-9	J	28-00077	Grommet
HE-10	K	17-00312	Fibre Washer
HE-11	L	11-00089-B	Cord Set, Lower Portion
HE-12	M	22-00594	Ground Screw
HE-13	N	11-00088-B	Cord Set, Upper Portion
HE-14	O	01-00009	Ring
HE-15	P	43-00497-CN	Upper Handle
HE-16	Q	AH-00-00022-B	Auxiliary Handle
HE-17	R	43-00400	Strap
HE-18	S	43-00394	Bridge
HE-19	T	17-00086	Lock Washer
HE-20	U	22-00616	Screw
HE-21	V	43-00562-CN	Lower Handle
HE-22	W	23-00272	Insulator
HE-23	EE	01-01575	Axle
HE-24	HH	22-00781	Push Nut
HE-25	KK	22-00593	Lock Nut
HE-26	LL	17-00317	Clutch Washer
HE-27	MM	17-00266	Brass Washer
HE-28	NN	43-00494-BO	Blade
HE-29	OO	17-00279	Steel Washer
HE-30	PP	43-00341	Dust Shield
HE-31	QQ	22-00594	Screw
HE-32	RR	22-00615	Lock Nut
HE-33	SS	43-486AS	Upper Guard Assembly
HE-34	VV	23-00276	Baffle
HE-35	WW	27-00092	Lock Washer
HE-36	XX	22-00426	Screw
HE-37	AC	23-00115	Tape
HE-38	AD	06-00474	Field Bracket
HE-39	AE	01-00452	Felt Wick
HE-40	AF	09-00044	Bearing
HE-41	AG	27-00054	Brushholder & Bearing Retainer
HE-42	AH	8-222	Field Assembly
HE-43	AI	27-00008	Loading Spring
HE-44	AJ	17-00101	Fibre Washer



LAWN EDGER TRIMMER (Continued)

Model HE 06

<u>Ref. No.</u>	<u>Ref. Letter</u>	<u>Part No.</u>	<u>Description</u>
HE-45	AK	44-00297	Spacer
HE-46	AL	14-00068	Brush Spring
HE-47	AM	14-00045	Brushholder
HE-48	AN	14-00046	Brush
HE-49	AO	7-217	Armature Assembly
HE-50	AR	22-00811	Screw
HE-51	AS	S6-1007	Gear Box Assembly
HE-52	AT	17-00090	Steel Washer
HE-53	AU	S-02-00294	Spindle Shaft Assembly
HE-54	AV	09-00101	Bearing
HE-55	AW	23-00272	Insulator
HE-56	AX	01-00931	Retaining Ring
HE-57	AY	17-00301	Washer
HE-58	AAA	44-00227	Roller
HE-59	BBB	17-00290	Washer
HE-60	CCC	43-368AR	Motor Housing
HE-61	DDD	6-1011AR	Wheel Bracket
HE-62	EEE	44-00264	Wheel
HE-63	FFF	17-00194	Washer
HE-64	GGG	22-00822	Screw
HE-65	HHH	AH-00-00037-B	Knob
HE-66	III	17-00421	Spacer
HE-67	JJJ	16-00021	Terminal
HE-68	KKK	13-00020	Lead
HE-69	LLL	17-00100	Washer
HE-70	MMM	11-226	Plug
HE-71	NNN	5-948-AS	End Cap
HE-72	OOO	1-1525	Filter
HE-73	PPP	22-586	Speed Nut



HS

CHAIN SAW

Model HS-13

When ordering parts, always specify the quantity, model number, part number and description.

Send orders direct to:

Generac Corporation
P. O. Box 8
Waukesha, Wisconsin

or call: Area Code (414) 968-3101

There is a minimum order of \$5.00 with terms of 1% 10 days, net 30 F.O.B. Waukesha.

<u>Ref. No.</u>	<u>Part No.</u>	<u>Description</u>
HS-1	32461	Motor Housing
HS-2	32463	Center Section
HS-3	32465	Front Housing
HS-4	32467	Handle
HS-5	32476	Brush
HS-6	32475	Brush Holder R. H.
HS-7	32474	Brush Holder L. H.
HS-8	32346	Armature
HS-9	32347	Field Assembly
HS-10	32480	Sprocket
HS-11	32483	Drive Hub
HS-12	32655	Idler Shaft Assembly
HS-13	32487	Brush Holder Spring
HS-14	32468	Gasket
HS-15	32479	Oil Fill Cap
HS-16	32491	Snap Ring
HS-17	22774	No. 8 Sheet Metal Sc.
HS-18	32477	Chain Bar - 13"
HS-19	32478	Chain - 13"
HS-20	32489	Cord Assembly
HS-21	26713	No. 6-32 x 1-1/8 Brass Sc.
HS-22	23636	No. 6 Brass-Shakeproof
HS-23	25174	Fan
HS-24	25177	Bearing
HS-25	32493	Relay & Box Assy (Not Shown)
HS-26	25229	Bronze Bearing
HS-27	25230	Bronze Bearing
HS-28	25231	Bronze Bearing
HS-29	25238	Switch
HS-30	26277	Tubular Handle
HS-31	26796	Air Deflection
HS-32	26849	Wire Hold Down Tab
HS-33	27139	Bearing Spacer
HS-34	25751	Stud
HS-35	22104	Dowel Pin
HS-36	24611	No. 10-32 x 1" Taptite
HS-37	24679	No. 10-32 x 3/4" Taptite
HS-38	22151	No. 10-32 x 2 1/2" RHMS
HS-39	22769	No. 10 Shakeproof
HS-40	32500	Chain Guard
HS-41	32499	5/16-24 Flanged Hex Nut
HS-42	32486	Adjusting Nut
HS-43	26902	No. 8-32 x 1/4 Taptite
HS-44	28409	Socket Head Screw
HS-45	27117	1/4 - 2" Taptite
HS-46	24489	No. 10-32 x 3/8" Taptite
HS-47	32482	Rear Screen
HS-48	34919	Retainer

GENERAL ELECTRIC HOUSEWARES SERVICE CENTERS

NORTH ATLANTIC

Pennsauken, N.J.	08101	7100 Airport Hwy.	F. A. Frumento	(665-0440)
Baltimore, Md.	21234	6910 Harford Road	C. J. Cabral	(444-6600)
Boston, Mass.	02134	215 Brighton Avenue	N. D. Garant	(782-7511)
Bridgeport, Conn.	06610	2126 Boston Ave.	C. A. Clark	(335-3105)
Brooklyn, N.Y.	11201	38 Bond St.	R. E. Pandolfi	(852-0011)
Broomall, Pa.	19008	700 Parkway So., Lawrence Indl. Park	J. P. Sullivan	(353-3836)
Latham, N.Y.	12110	7 Herbert Drive So.	J. E. Plunkett	(785-5186)
New York, N.Y.	10017	Grand Central Terminal	W. F. Braidic	(689-6343)
Philadelphia, Pa.	19149	2010 Levick Street	R. R. Filoso	(288-4700)
Pittsburg, Pa.	15224	4319 Penn Avenue	M. R. LaRue	(621-5334)
Reading, Mass.	01867	100 Main Street	R. F. Welch	(944-6770)
Washington, D. C.	20007	1805 Wisconsin Ave., N.W.	G. Collini	(234-7404)
Yonkers, N.Y.	10704	5 Xavier Dr. (Cross Co. Shop. Ctr.)	A. Barbieri	(476-8400)

SOUTHEAST

Atlanta, Ga.	30318	1777 Ellsworth Ind. Dr., N.W.	J. L. Lipham	(355-3480)
Memphis, Tenn.	38103	669 Madison Avenue	M. P. Williams	(525-6789)
Miami, Fla.	33145	2151 S. W. 27th Avenue	W. H. Payne	(443-2543)
Nashville, Tenn.	37206	508 Main Street	R. C. Pigg	(244-7424)
Norfolk, Va.	23502	4552 East Princess Anne Road	H. A. Spiva	(855-3171)
Richmond, Va.	23230	4011 W. Broad Street	R. J. Shiembob	(353-5508)
Tampa, Fla.	33609	3602 W. Kennedy Blvd.	L. A. Gilbert	(877-6001)

MIDWESTERN

Chicago, Ill.	60641	Cor. Kilbourn & Milwaukee Aves.	R. P. Russe	(282-2110)
Cleveland, Ohio	44114	1435 E. 17th St.	N. G. Oriold	(241-5414)
Columbus, Ohio	43222	479 W. Broad Street	R. J. Misunas	(224-4118)
Detroit, Mich.	48227	13300 Puritan Avenue	D. H. Baughman	(342-6151)
Evanston, Ill.	60201	1567 Sherman Avenue	M. J. Marcanto	(328-9310)
Hammond, Ind.	46324	7324 Indianapolis Blvd.	J. R. Metteal	(845-2200)
Indianapolis, Ind.	46202	1827 N. Meridian Street	R. Schoomer	(924-1386)
Milwaukee, Wisc.	53218	6106 W. Fond Du Lac Avenue	S. J. Auerbach	(464-0950)
Omaha, Nebr.	68131	3724 Farnam Street	L. P. Wattenbarger	(341-3620)
St. Louis, Mo.	63139	2355 Hampton Avenue	F. L. Coonce	(647-6016)
St. Paul, Minn.	55114	2225 University Avenue	R. L. Butler	(645-9371)

SOUTHWEST

Dallas, Texas	75207	961 Dragon Street (Serv. Distr. Ctr.)	V. P. Platt	(742-7121)
Denver, Colo.	80204	975 Federal Blvd.	D. A. Hightower	(255-4616)
El Paso, Texas	79925	6591 Montana Street	B. L. Rosenbaum	(772-3256)
Houston, Texas	77027	2930 Hillcroft Avenue	R. C. Elliott	(785-5536)
Kansas City, Mo.	64108	2619 McGee Trafficway	B. R. Hall	(842-6690)
Metairie, La.	70002	3300 No. Causeway Blvd.	W. W. Parrie	(834-9080)
Oklahoma City, Okla.	73106	719 No. Virginia Avenue	G. J. Goggans	(236-4581)
San Antonio, Texas	78212	1902 McCullough Avenue	T. O. King	(733-9127)

WESTERN

San Jose, Calif.	95112	1727 North First Street	T. E. Gathier	(298-4203)
Long Beach, Calif.	90804	E. Pacific Coast Hwy.	W. G. Paine	(597-4301)
Los Angeles, Calif.	90057	2800 Beverly Blvd.	C. W. Benshoof	(385-3044)
Oakland, Calif.	94606	1045 E. 12th Street	R. A. Hoffer	(451-6642)
Pasadena, Calif.	91107	3486 East Foothill Blvd.	R. E. Turek	(792-7153)
Phoenix, Ariz.	85006	1733 E. McDowell Road	J. D. Wiley	(252-7663)
Portland, Ore.	97214	2137 E. Burnside Street	G. E. Barlow	(235-6682)
Sacramento, Calif.	95815	1785 Arden Way (Arden Fair Shop. Ctr.)	F. W. Ryman	(927-2246)
San Diego, Calif.	92108	1990 Camino Del Rio, No.	J. M. Winfrey	(291-2220)
San Francisco, Calif.	94103	1090 Bryant Street	P. Krakowski	(863-8921)
Seattle, Wash.	98121	2905 Third Avenue	H. E. Taft	(624-3171)

MOWER MOTOR REPLACEMENT PARTS

For 3 3/8 Inch Dia. Motors

<u>Ref. No.</u>	<u>Part No.</u>	<u>Description</u>
1	243A4736P6	Bearing, Commutator End
2	243A4736P7	Bearing, Drive End
3	243A4736P5	Brush Asm.
4	243A4673P1	Brush Spring
5	243A4736P4	Cover Asm.
6	See Note 1	Drive End Shield + Shell Asm.
7	See Note 1	Commutator End Shield
8	See Note 1	Armature
9	See Note 1	Clamp Screw
10	See Note 1	End Play Kit

Note 1: These parts are not stocked.

For 4 1/2 Inch Dia. Motors

1	244A7329P5	Bearing, Commutator End
2	244A7329P4	Bearing, Drive End
3	244A7329P7	Brush Asm.
4	See Note 1	Cover Asm.
5	See Note 1	Drive End Shield
6	See Note 1	Commutator End Shield
7	See Note 1	Shell Asm.
8	See Note 1	Armature
9	See Note 1	Clamp Screw
10	See Note 1	Wave Washer

Note 1: These parts are not stocked.

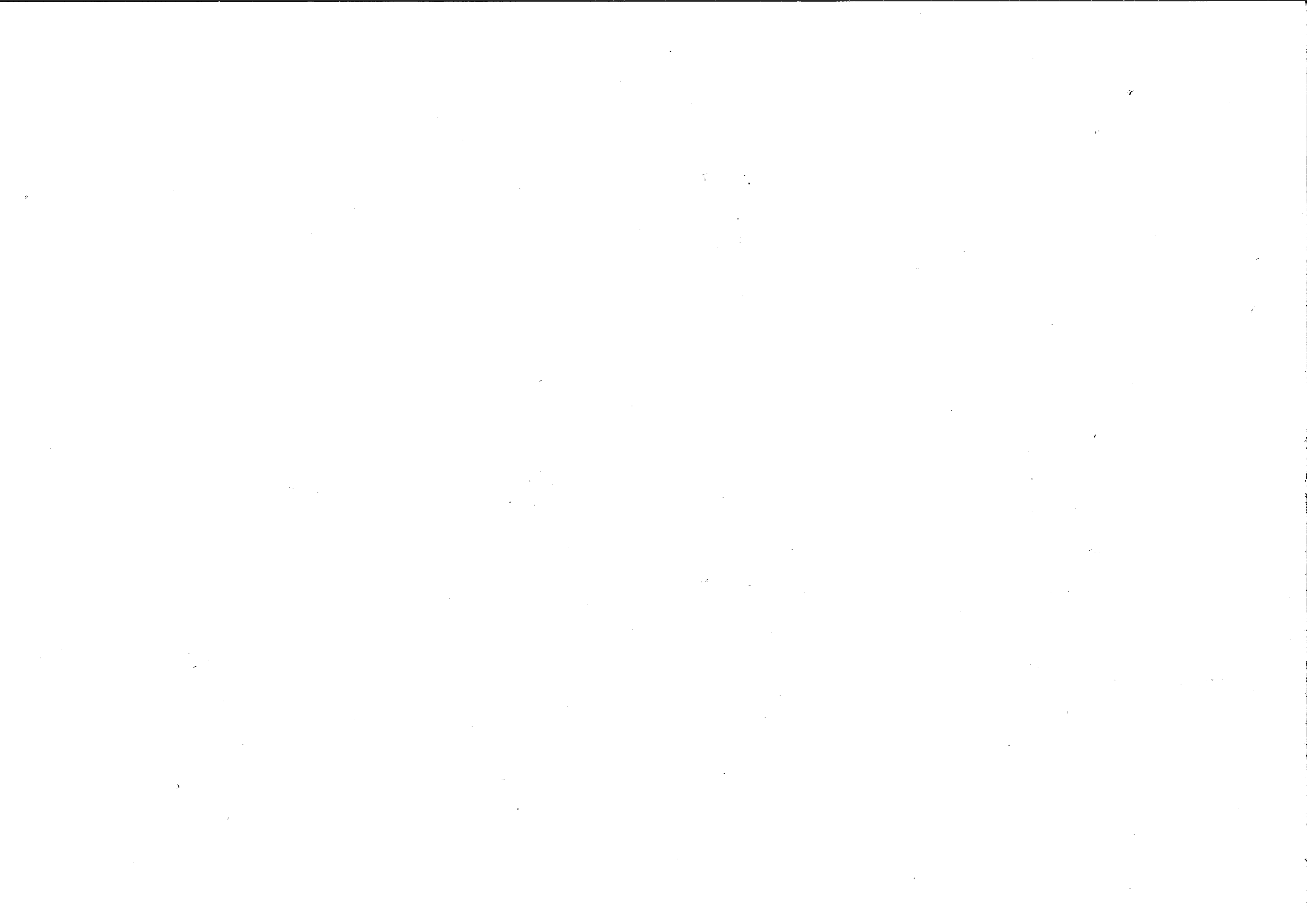


TABLE OF CONTENTS

Rear Battery Compartment

All Large Frame Tractors

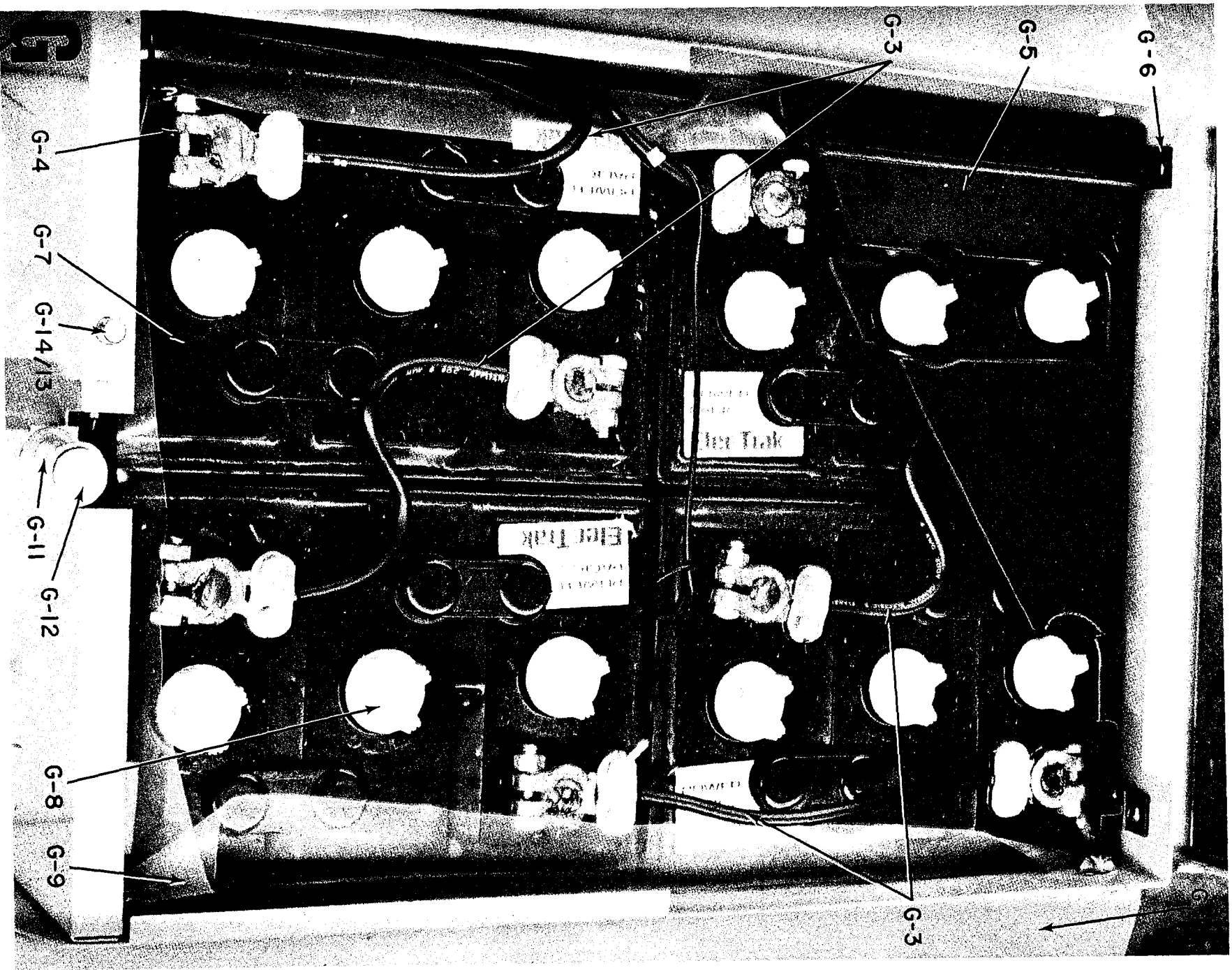


FIG. LF-1

REAR BATTERY COMPARTMENT

<u>Ref. No.</u>	<u>Part No.</u>	<u>Description</u>
G-1	423D221G1	Rear Battery Box Assembly (Includes Fender)
G-2	541C698P1	Battery Tray (Center Drain Hole)
G-2	155C8069P1	Battery Tray (Offset Drain Hole)
G-3	178B8165G1	Battery Cables (With Clamps)
G-5	243A4522G1	Rear Battery Cover (Includes Decal)
G-6	163B9875G1	Battery Clamp Assembly
G-7	243A4527P1	Standard Battery
G-7	243A4724P1	Heavy Duty Battery
G-8	243A4849P1	Battery Cap (Old - Heavy Duty)
G-8	244A7420P1	Battery Cap (New - Heavy Duty & Standard)
G-9	155C8006P1	Rear Poly Bag
G-11	211A3577P1	Seat Spring
G-12	211A3191P1	Rivet
G-13*	211A3420P1	Seat Switch
G-14*	243A4790P1	Seat Switch

*G-14 seat switch is of white plastic (pictured) and is used on many of the more recent tractors. It is not interchangeable with G-13 (not pictured) without additional machining. Therefore, before ordering it is imperative that a visual inspection be made.

TABLE OF CONTENTS

FIGURE

TITLE

C-1

Charger for Models E20, E15,
E12s, E12 and E12M

C-2

Charger for Models E8M and E10M

C

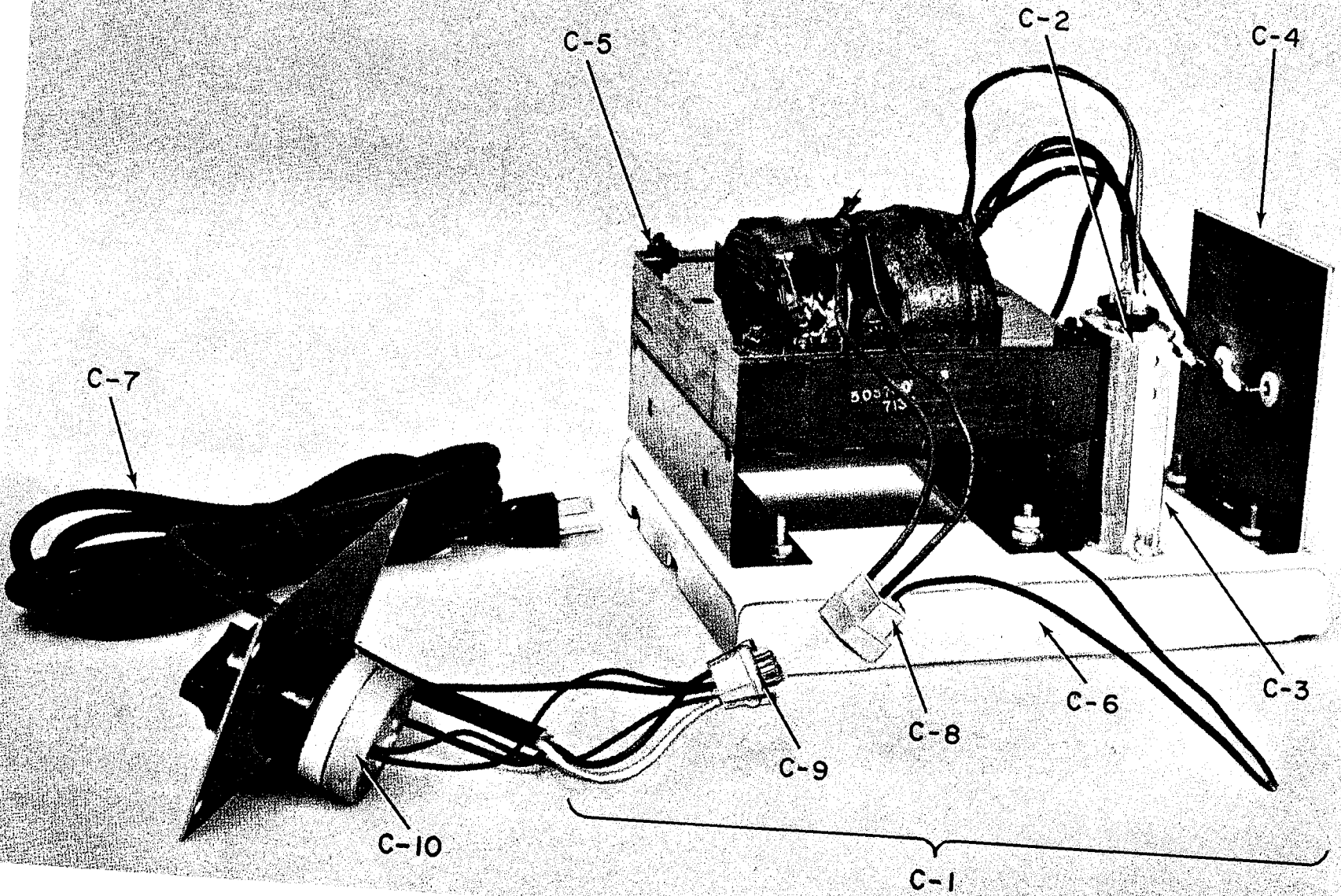


Fig. C-1

CHARGER

<u>REF. NO.</u>	<u>PART NO.</u>	<u>DESCRIPTION</u>
C-1	423D225G1	CHARGER SUB ASSEMBLY (INCLUDES BASE TRANSFORMER CAPACITOR AND HEAT SINK ASSEMBLY)
C-2	243A4653P1	CAPACITOR
C-3	211A3510P2	CAPACITOR BRACKET (2 REQUIRED)
C-4	163B9905G1	HEAT SINK ASSEMBLY
C-5	163B9955P1	TRANSFORMER
C-6	541C932P1	CHARGER BASE
C-7	211A3555G1	CHARGER CORD ASSEMBLY
C-8	243A4564P3	PLUG (P-4)
C-9	243A4568P3	JACK (J-4)
C-10	211A3507P1	TIMER

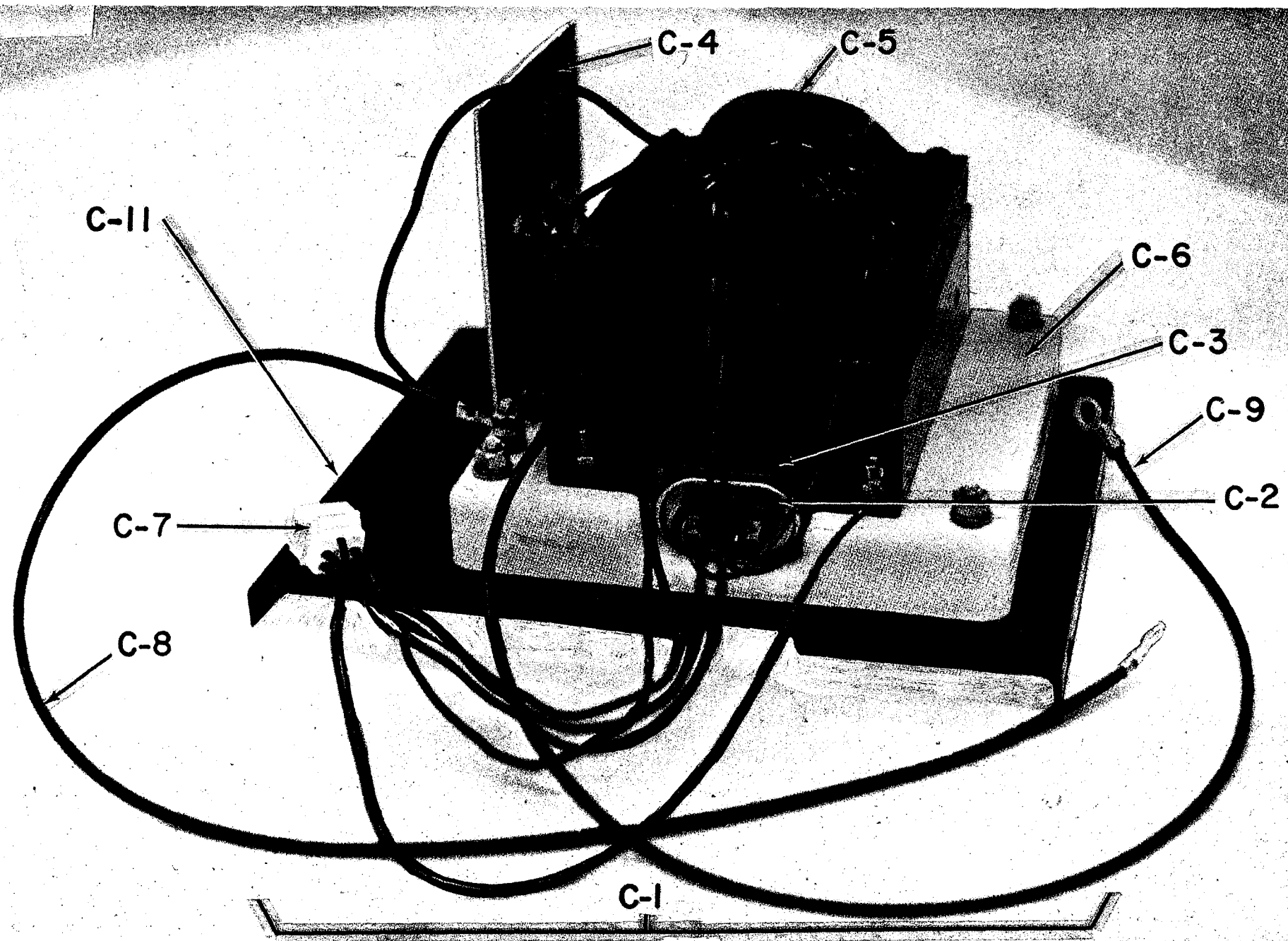


Fig. C-2

CHARGER

<u>Ref. No.</u>	<u>Part No.</u>	<u>Description</u>
C-1	127D8024G4	Charger Subassembly (Includes Base, Transformer, Capacitor and Heat Sink Assembly) E10M
C-1	127D8024G3	Same as Above for E8
C-2	243A4653P1	Capacitor (E10 Only)
C-2	243A4653P2	Capacitor (E8 Only)
C-3	244A7282P1	Capacitor Clamp
C-4	163B9905G1	Heat Sink Assembly
C-5	163B9955P1	Transformer (E10 Only)
C-5	178B8146P1	Transformer (E8 Only)
C-6	155C8103P1	Charger Base
C-7	243A4564P3	Plug (P-4)
C-8	244A7334G5	Wire #30-01 (Chgr. Neg)
C-9	244A7334G11	Wire (Chgr. Pos)
C-10	211A3555G1	Charger Cord Assembly (Not Pictured)
C-11	155C8100P1	Bulkhead

TABLE OF CONTENTS

<u>FIGURE</u>	<u>TITLE</u>
L-1	Front Lift, E20, E15, E12s and E12
L-2	Lift, E12M
L-3	Lift, E8M and E10M

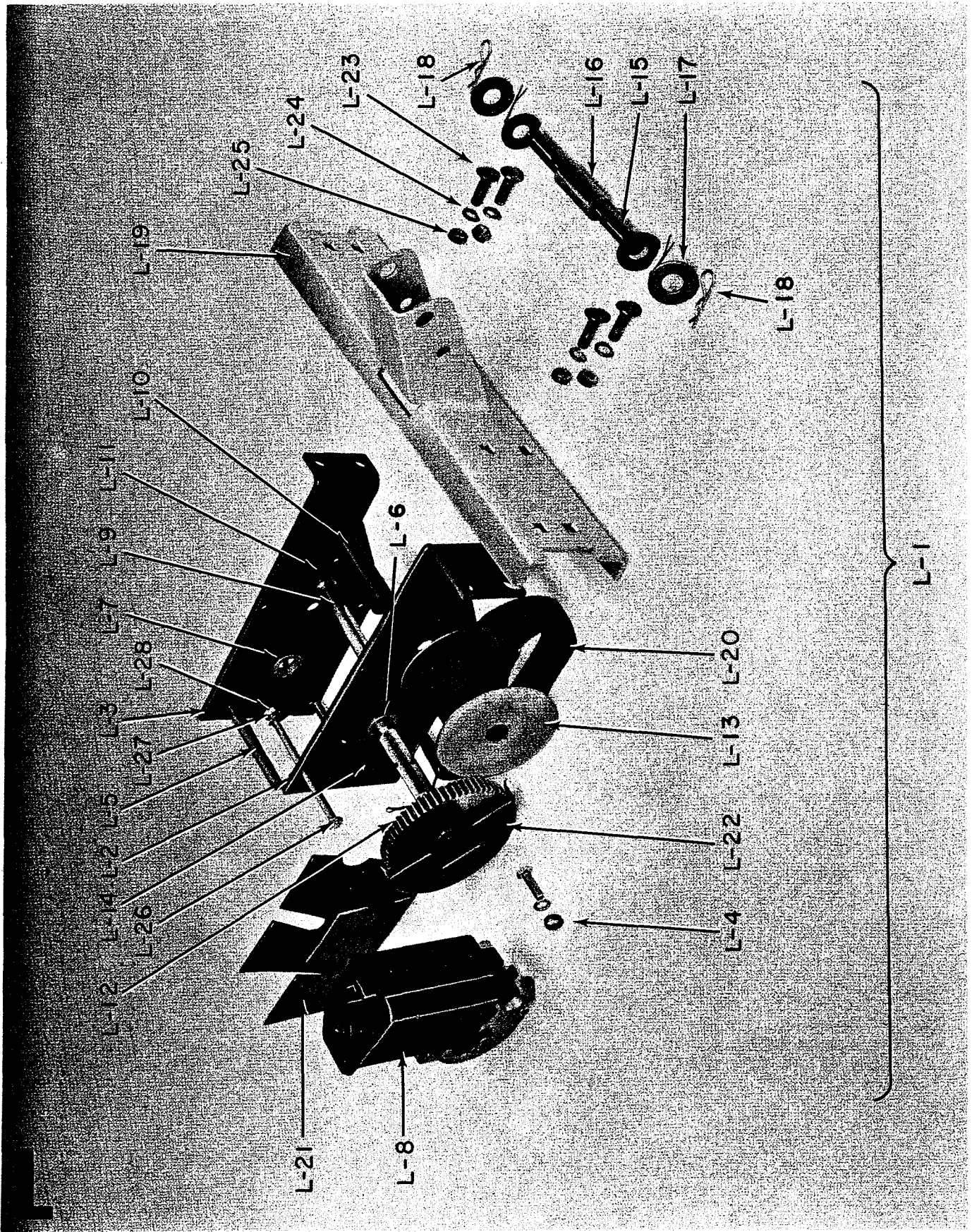


Fig. L-1

FRONT LIFT

<u>Ref. No.</u>	<u>Part No.</u>	<u>Description</u>
L-1	423D217G1	Lift Assembly
L-2	541C668P1	Support, Right
L-3	541C668P2	Support, Left
L-4	243A4550P1	Spacer
L-5	243A4550P2	Spacer
L-6	211A3540P1	Flanged Bearing
L-7	211A3540P3	Flanged Bearing
L-8	211A3561P1	Actuator
L-9	211A3542P1	Shaft
L-10	211A3543P1	Sleeve
L-11	243A4554P2	Pushnut
L-12	211A3539G1	Gear Assembly
L-13	211A3520P1	Washer
L-14	N503P916B6	Cotter Pin
L-15	211A3494P1	Shaft
L-16	211A3493P1	Spool
L-17	N402P45B6	Washer
L-18	211A3256P3	Hairpin Cotter
L-19	191B4523G1	Lift Yoke
L-20	163B9802G1	Lift Strap and Clip
L-21	541C997P1	Tape Guard
L-21*	541C997P2	Tape Guard (E15AA, BA + E12AA Only)
L-22	541C907P1	Gear Cover
L-23	N62P23016B6	Carriage Bolt
L-24	N405P12C6	Lockwasher
L-25	N210P23B6	Nut, Hex
L-26	N22P21068B6	Hex Hd. Bolt
L-27	N405P11C6	Lockwasher
L-28	N210P21B6	Nut

* Tape Guard 541C997P2 is needed for older lift assemblies, See Product Service Bulletin No. 7.

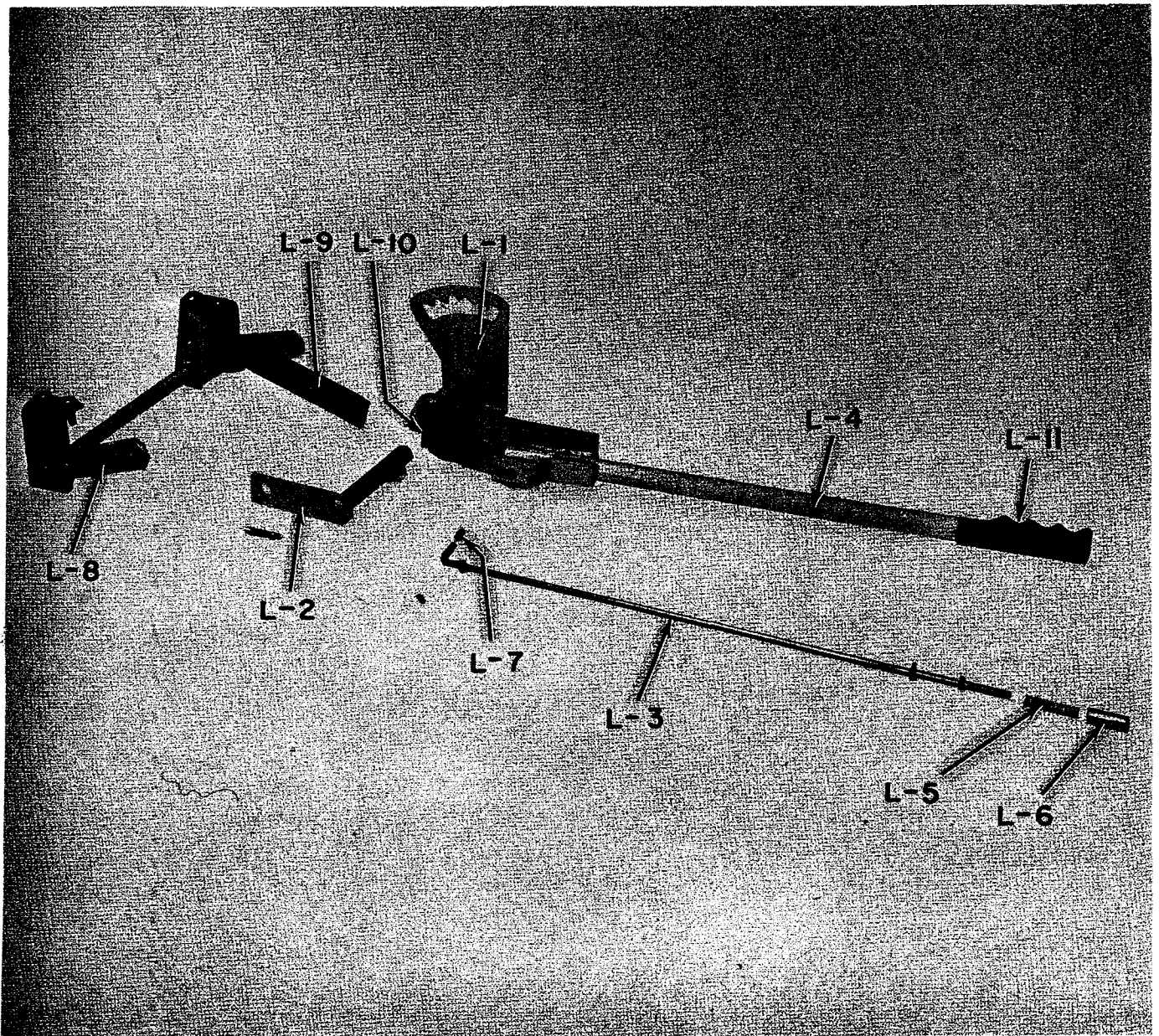


Fig. L-2

LIFT

<u>REF. NO.</u>	<u>PART NO.</u>	<u>DESCRIPTION</u>
L-1	178B8151G1	LIFT QUADRANT ASSEMBLY
L-2	244A7065G1	LIFT ARM ASSEMBLY
L-3	244A7081G1	ROD ASSEMBLY
L-4	178B8134G1	MANUAL LIFT HANDLE ASSEMBLY
L-5	211A3577P13	SPRING
L-6	244A7078P1	BUTTON
L-7	244A7212P1	ROLLER
L-8	178B8156G1	MOWER LIFT ARM ASSEMBLY
L-9	244A7135G1	CONNECTING LINK
L-10	N533P3124	DOWEL PIN (5/16 X 1 1/2)
L-11	244A7120P1	GRIP

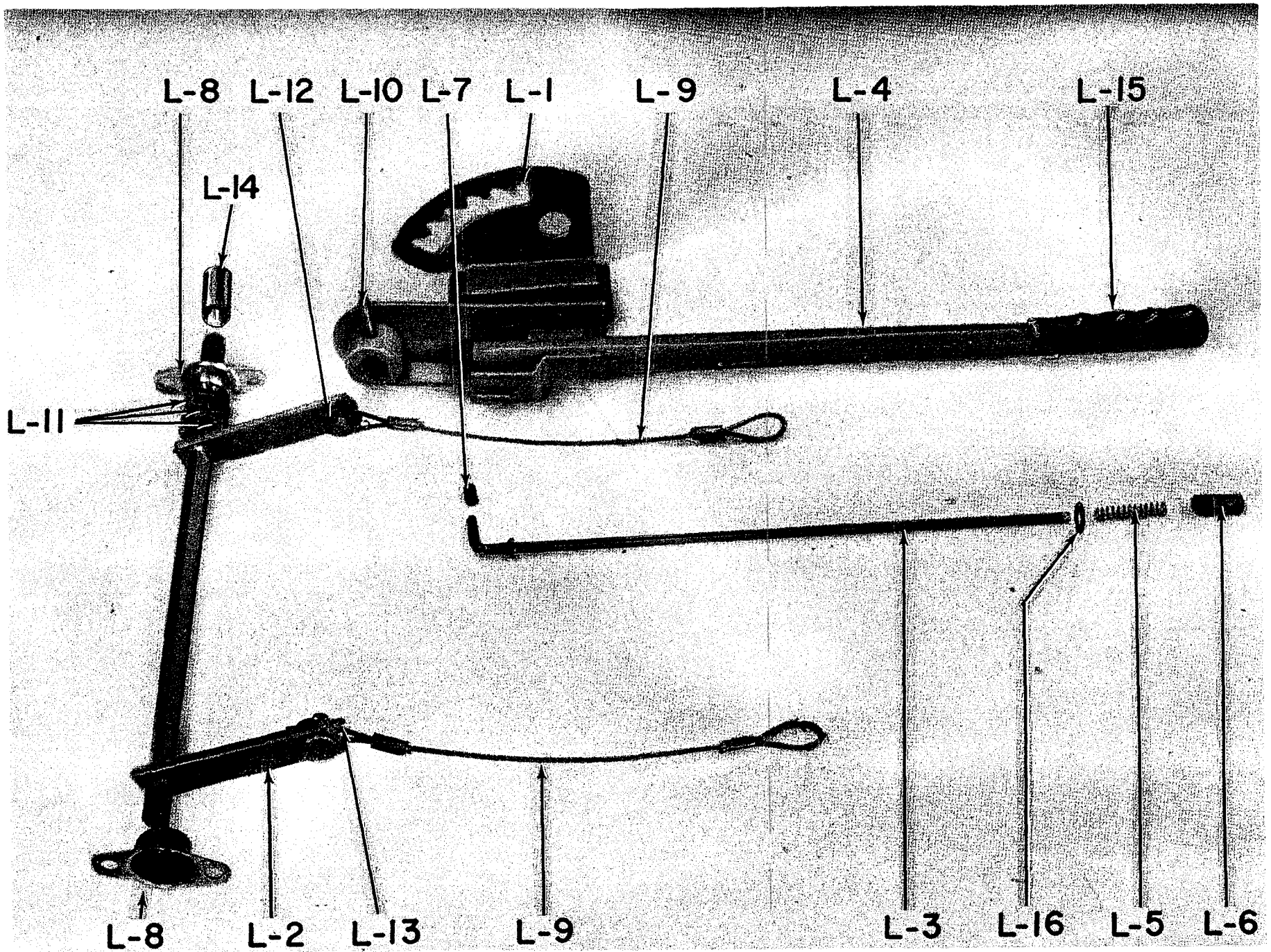


Fig. L-3

LIFT

<u>Ref. No.</u>	<u>Part No.</u>	<u>Description</u>
L-1	155C8106G1	Lift Quadrant Assembly
L-2	178B8176G1	Lift Arm Assembly
L-3	244A7081G2	Rod Assembly
L-4	178B8431G2	Lift Handle Assembly
L-5	211A3577P13	Spring
L-6	244A7078P1	Button
L-7	244A7212P3	Roller
L-8	211A3101P2	Bearing Assembly
L-9	244A7185P1	Lift Cable
L-10	N533P2524	Dowel Pin (1/4 x 1 1/2)
L-11	N402AP17B6	Washer (5/8)
L-12	N402AP43B6	Washer (3/8)
L-13	N503P1012B6	Cotter Pin
L-14	243A4550P14	Spacer
L-15	244A7120P1	Grip
L-16	N402AP11B6	Washer

TABLE OF CONTENTS

<u>FIGURE</u>	<u>TITLE</u>
B-1	Brake, Models E20, E15, E12s and E12
B-2	Brake, Models E20, E15 and E12
B-3	Brake, Model E12M
B-4	Brake, Models E8M and E10M

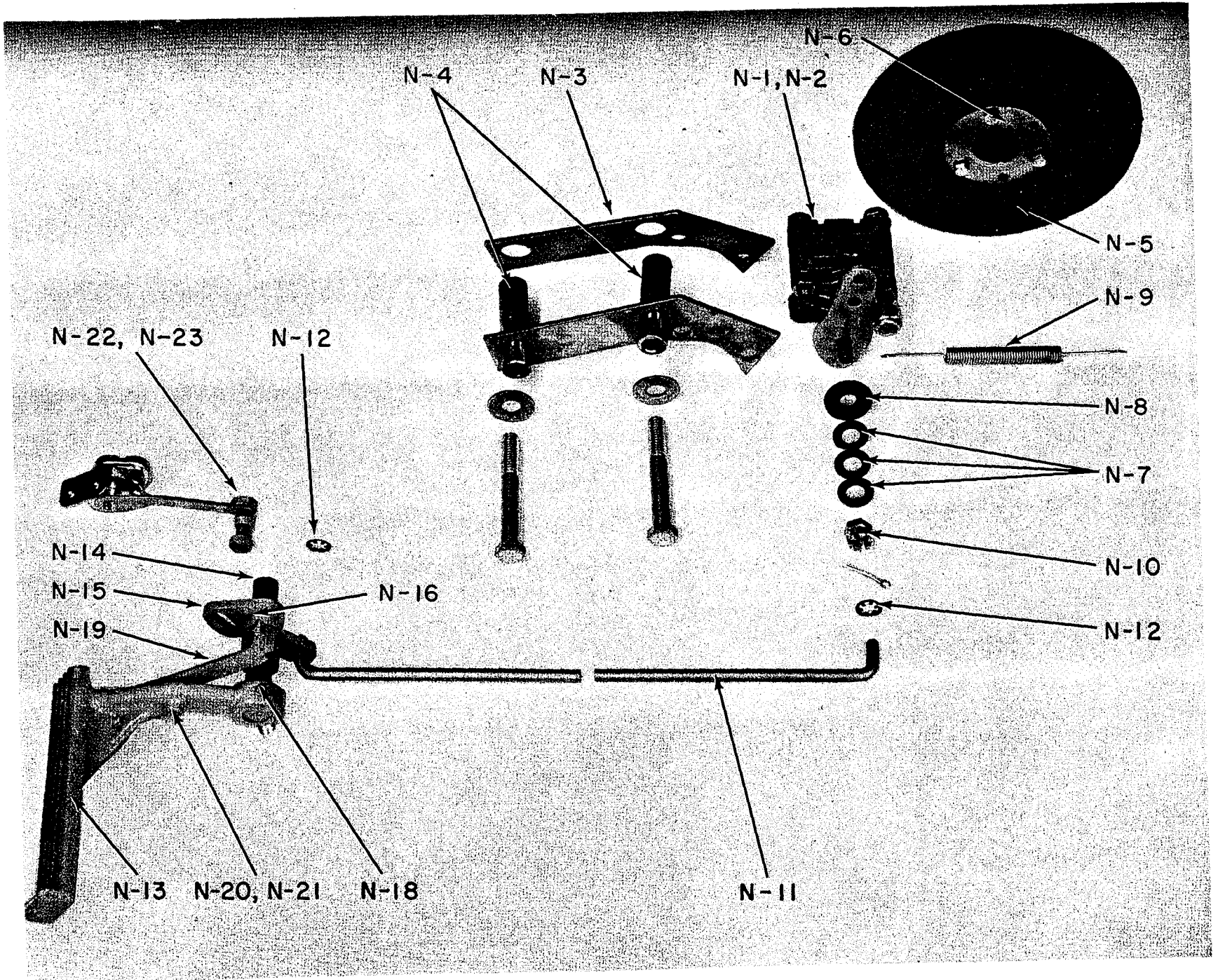


Fig. B-1

BRAKEE20 AA-CA Mod
E15 AA-GA
E12s AA-BA
E12 CA-HA

<u>REF. NO.</u>	<u>PART NO.</u>	<u>DESCRIPTION</u>
N-1	211A3153G1	DISC BRAKE AND CALIPER
N-2	211A3593P1	FRICITION PAD SET
N-3	211A3469P1	BRACKET
N-4	211A3470P1	SPACER
N-5	211A3154G1	DISK AND HUB
N-6	N3400P606	KEY (3/16 X 3/4 WOODRUFF)
N-7	243A4582P3	WASHER BELLEVILLE
N-8	243A4642P1	50 MIL. WASHER
N-9	211A3489P1	RETURN SPRING
N-10	211A3582P1	LOCKNUT, HEX
N-11	211A3468P1	BRAKE ROD
N-12	211A3488P1	PUSH NUT (SPRING CLIP)
N-13	542C893P2	BRAKE PEDAL
N-14	211A3410P1	SHAFT
N-15	163B9899P1	BRAKE PAWL
N-16	N533P1612	DOWEL PIN (5/32 X 3/4)
N-17	N402AP15B6	WASHER (1/2")
N-18	N533P1618	DOWEL PIN (5/32 X 1 1/8)
N-19	211A3467P1	LEVER
N-20	211A3584P1	CURVED WASHER
N-21*	243A4773P1	RIVET
N-21*	211A3583P1	SCREW (10-32 X 1/2)
N-22	211A3504P1	SHOULDER SCREW
N-23	N264P21B6	LOCKNUT (1/4-20)

*BOTH RIVET AND SCREW HAVE BEEN USED TO ATTACH PARKING BRAKE LEVER TO BRAKE PEDAL. SPECIFY CORRECTLY WHEN ORDERING.

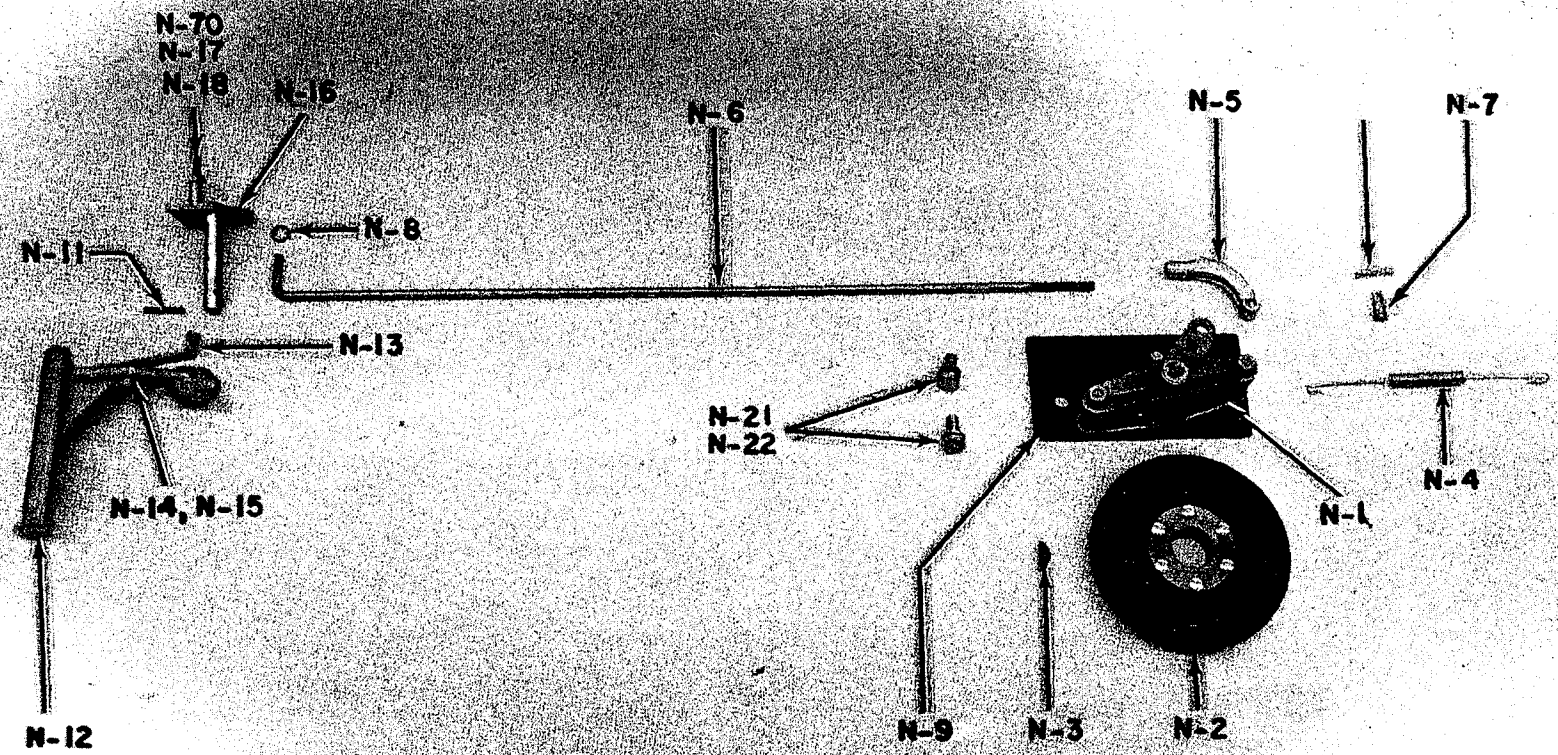


Fig. B-2

BRAKE

<u>Ref. No.</u>	<u>Part No.</u>	<u>Description</u>
NA-1	178B8150G2	Brake Sub Asm.
NA-2	244A7069G1	Disk & Hub Asm.
NA-3	N3400P606	Key
NA-4	247A7332P1	Return Spring
NA-5	247A7331P1	Clevis
NA-6	244A7126P2	Brake Rod
NA-7	211A3505P13	Clevis Pin
NA-8	211A3488P1	Push Nut
NA-9	247A7330P1	Mounting Plate
NA-10	N503P912	Cotter Pin
NA-11	N533P1618	Dowel Pin
NA-12	542C893P2	Brake Pedal
NA-13	211A3467P1	Lever
NA-14	211A3584P1	Curved Washer
NA-15	243A4773P1	Rivet
NA-16	243A4862G1	Shaft Asm.
NA-17	243A4550P10	Spacer
NA-18	N264P21B6	Lock Nut Hex
NA-19	243A4550P11	Spacer (Not Shown)
NA-20	N657P21024B6	Carriage Bolt
NA-21	N22P25018	Bolt Hex Head
NA-22	N405P43	Lock Washer

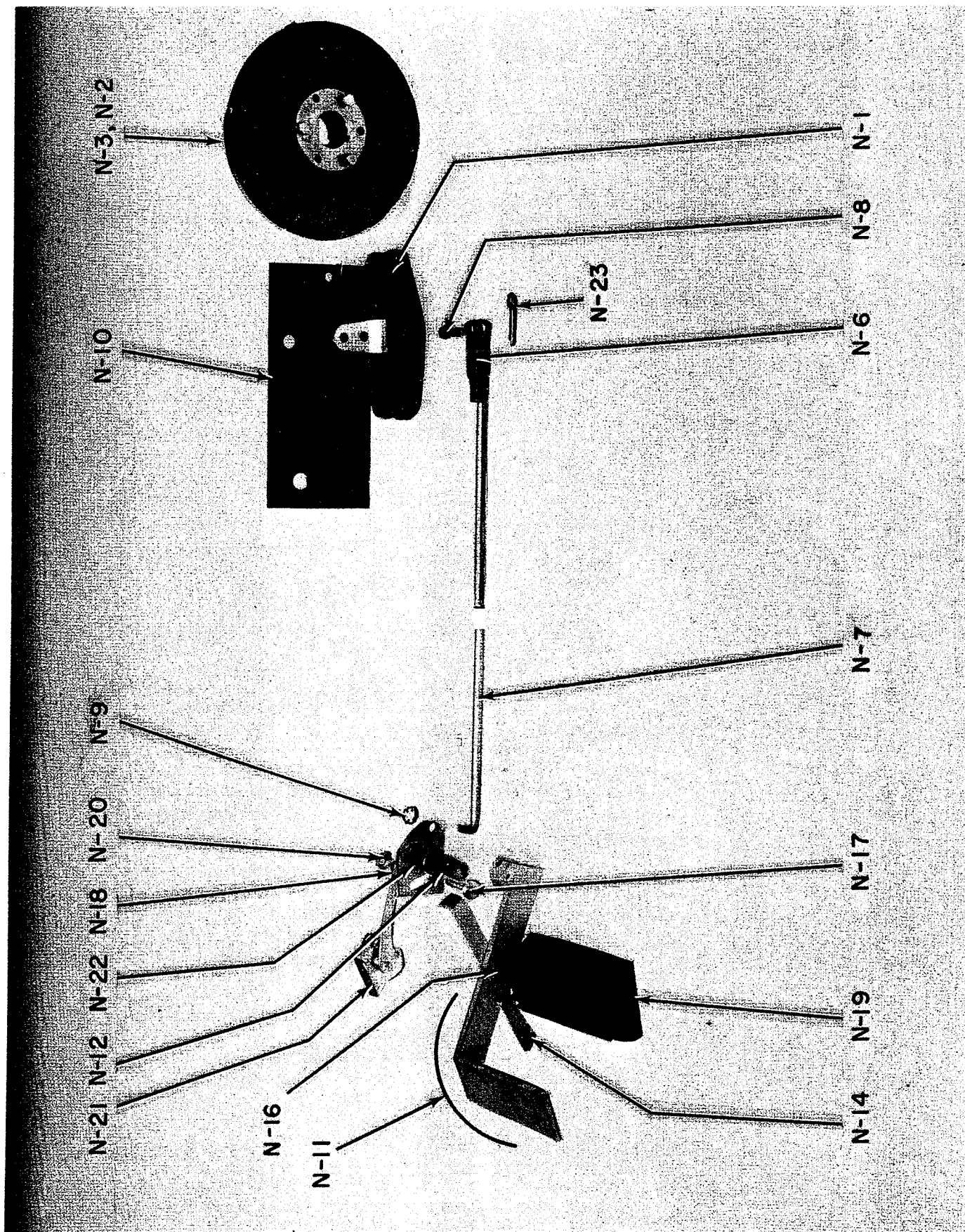


Fig. B-3

BRAKE

<u>REF. NO.</u>	<u>PART NO.</u>	<u>DESCRIPTION</u>
N-1	178B8150G1	BRAKE SUB-ASSEMBLY
N-2	244A7069G1	DISK AND HUB
N-3	N3400P606	KEY (3/16 X 3/4 WOODRUFF)
N-4	211A3489P1	RETURN SPRING (NOT PICTURED)
N-5	244A7143G1	CLEVIS AND ROD ASSEMBLY (INCLUDES N-6, N-7)
N-6	244A7168P1	CLEVIS
N-7	244A7126P1	BRAKE ROD
N-8	211A3505P13	CLEVIS PIN
N-9	211A3488P1	PUSH NUT (SPRING CLIP)
N-10	244A7127	MOUNTING PLATE
N-11	244A7129G1	BRAKE PEDAL ASSEMBLY (INCLUDES N-14, N-15, N-16, N-19, AND N-22)
N-12	244A7130G1	SHAFT ASSEMBLY
N-13	N533P1618	DOWEL PIN (5/32 X 1 1/8)
N-14	211A3467P1	LEVER
N-15	211A3584P1	CURVED WASHER (NOT PICTURED)
N-16	243A4773P2	RIVET
N-17	N657P21024B6	CARRIAGE BOLT (1/4-20 X 1 1/2)
N-18	243A4550P10	SPACER
N-19	244A7159P1	BRAKE PEDAL PAD
N-20	N264P21B6	LOCKNUT (1/4-20)
N-21	244A7131P1	BRAKE SWITCH
N-22	244A7128P1	BUSHING
N-23	N503P912	COTTER PIN

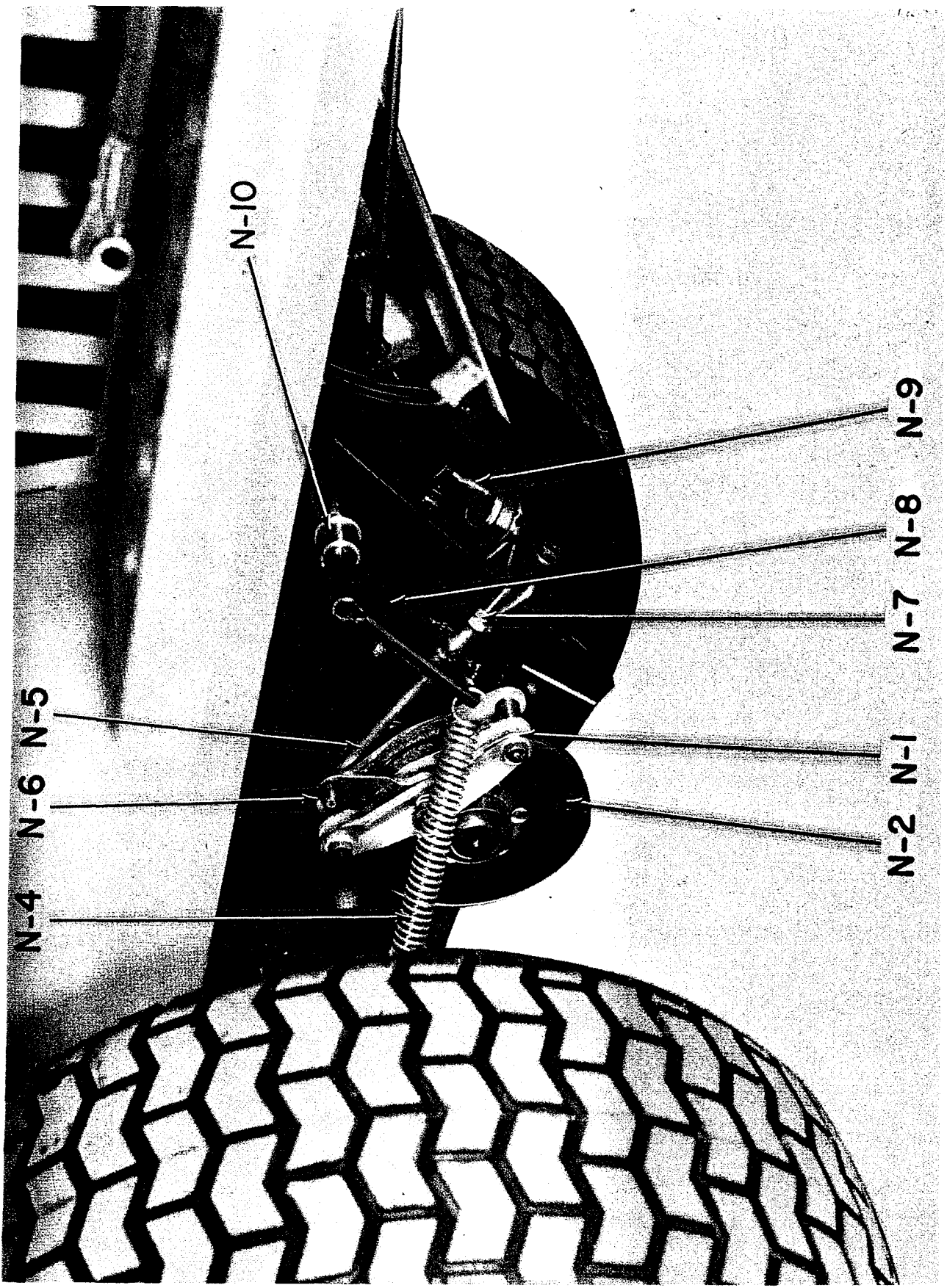


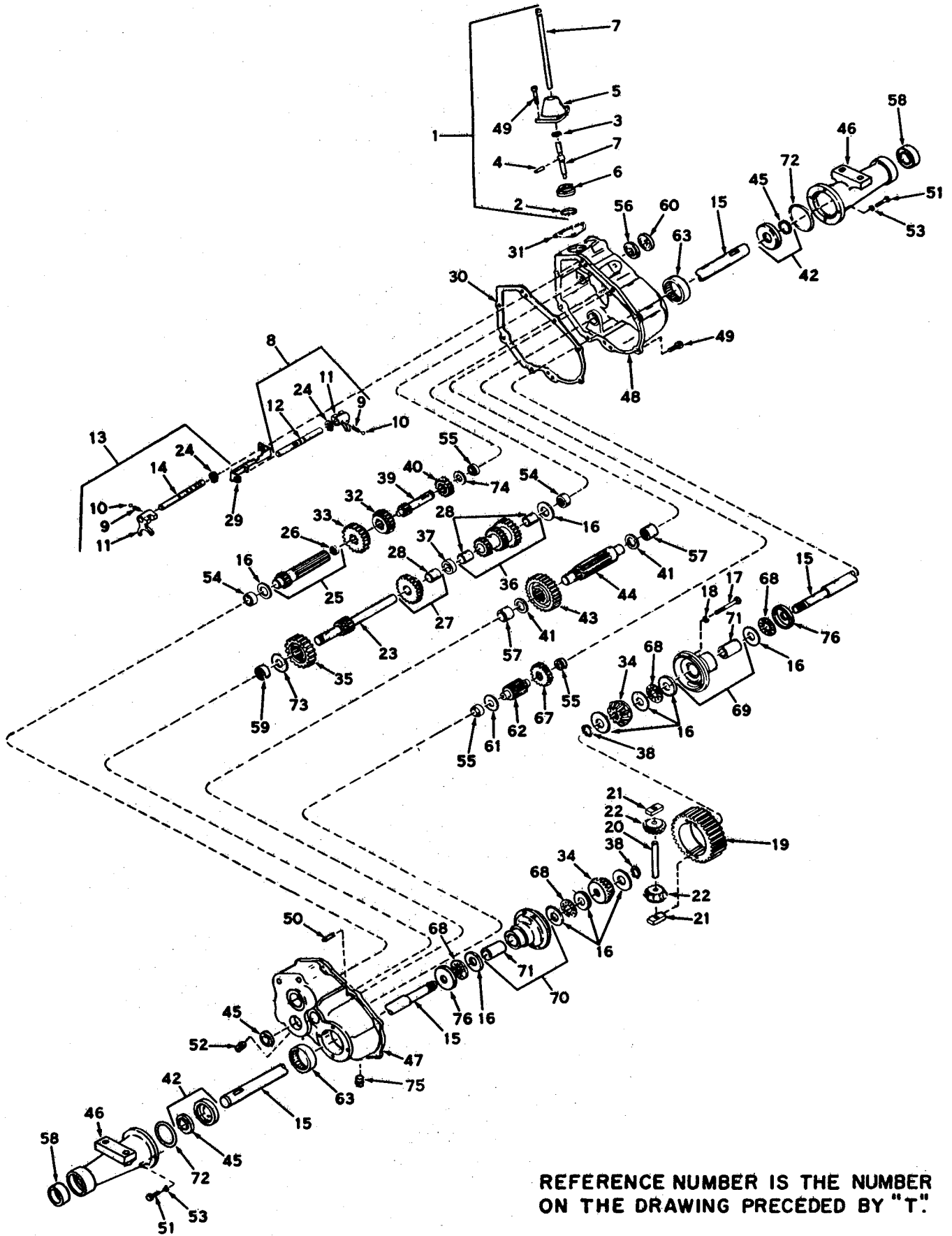
Fig. B-4

BRAKE

<u>REF. NO.</u>	<u>PART NO.</u>	<u>DESCRIPTION</u>
N-1	155C8149G1	BRAKE ASSEMBLY
N-2	244A7301G1	DISK AND HUB
N-3	N3400P606	KEY (3/16 X 3/4 WOODRUFF)
N-4	244A7415P1	RETURN SPRING
N-5	244A7409P1	BRAKE ROD
N-6	211A3488P1	PUSH NUT
N-7	244A7414P1	NUT, BRAKE ROD
N-8	178B8278G1	ARM AND SHAFT ASM
N-9	211A3481P1	CLUTCH SWITCH
N-10	211A3540P5	FLANGED BEARING

TABLE OF CONTENTS

<u>FIGURE</u>	<u>TITLE</u>
T-1	2318 Transaxle
T-2	1716 Transaxle
T-3	1216 Transaxle



REFERENCE NUMBER IS THE NUMBER ON THE DRAWING PRECEDED BY "T".

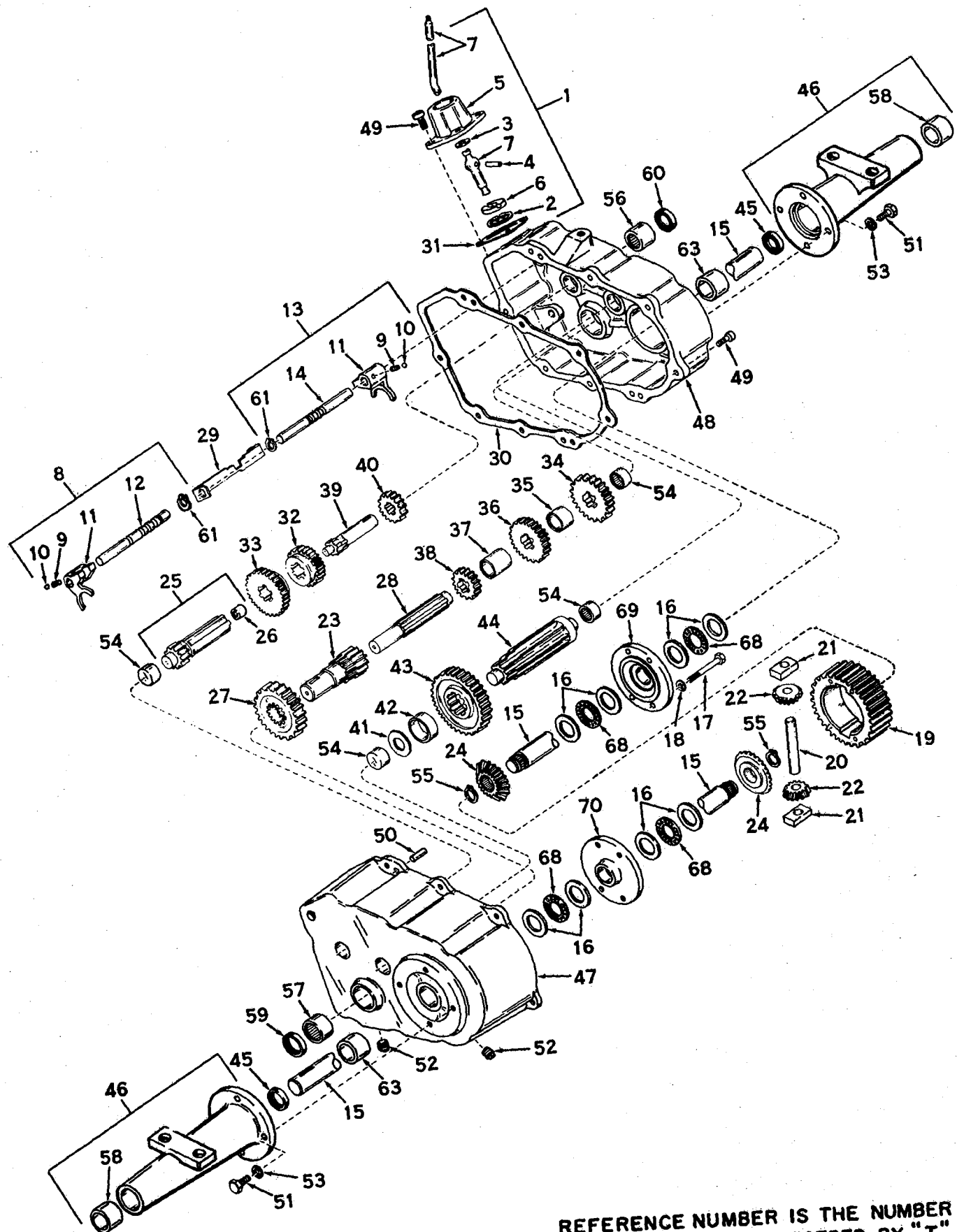
Fig. T-1

2318 TRANSAXLE

<u>Ref. No.</u>	<u>Peerless Part No.</u>	<u>GE Part No.</u>	<u>Description</u>
T-1	784110	243A4500P1	Lever, Housing Assy., Shift (Incl. Nos. 2 thru 7)
T-2	792016	243A4500P2	Ring, Snap
T-3	792001	243A4500P3	Ring, Quad
T-4	792002	243A4500P4	Pin, Roll
T-5	784093	243A4500P5	Housing, Shift Lever
T-6	784094	243A4500P6	Keeper, Shift Lever
T-7	784111	243A4500P7	Lever, Shift
T-8	784054	243A4500P8	Rod Assy., Shift (Incl. Nos. 9 thru 12 & 24)
T-9	792003	243A4500P9	Spring
T-10	792004	243A4500P10	Ball, Steel
T-11	784004	243A4500P11	Fork Shifter
T-12	784055	243A4500P12	Rod, Shifter (3rd and 4th)
T-13	784056	243A4500P13	Rod Assy., Shift (Incl. Nos. 9, 10, 11 and 14)
T-14	784057	243A4500P14	Rod Shifter (Low)
T-15	774188	243A4500P15	Axle
T-16	780042	243A4500P16	Washer, Thrust
T-17	792005	243A4500P17	Screw, Hex Hd. Cap, 1/4-20 x 2 1/2
T-18	792006	243A4500P18	Lockwasher, 1/4
T-19	778033	243A4500P19	Gear, Ring
T-20	786019	243A4500P20	Pin, Drive
T-21	786027	243A4500P21	Block Drive
T-22	778065	243A4500P22	Pinion, Bevel
T-23	776029A	243A4500P23	Shaft and Gear, Brake
T-24	792017	243A4500P24	Ring, Snap
T-25	776026	243A4500P25	Shaft and Bearing Assy., Piston (Incl. No. 26)
T-26	780018	243A4500P26	Bearing
T-27	778034	243A4500P27	Gear Cluster Assy. (Incl. No. 28)
T-28	780053	243A4500P28	Bushing
T-29	784074	243A4500P29	Stop, Shifter
T-30	788023	243A4500P30	Gasket, Case and Cover
T-31	788022	243A4500P31	Gasket, Shift Lever Housing
T-32	778019	243A4500P32	Gear, Shifting (3rd and 4th)
T-33	778020	243A4500P33	Gear, Shifting (1st, 2nd, and Reverse)
T-34	778066	243A4500P34	Gear, Bevel
T-35	778037	243A4500P35	Gear, Idler
T-36	778035	243A4500P36	Gear Cluster Assy. (Incl. No. 28)
T-37	786024	243A4500P37	Spacer
T-38	792018	243A4500P38	Ring, Snap
T-39	776027	243A4500P39	Shaft, Input
T-40	778024	243A4500P40	Spur Gear, Input Shaft
T-41	780052	243A4500P41	Washer, Thrust
T-42	788021	243A4500P42	Seal and Retainer Assy., Oil (Incl. No. 45)
T-43	778036	243A4500P43	Gear, Output
T-44	776028	243A4500P44	Pinion, Output
T-45	788008	243A4500P45	Seal, Oil
T-46	782025	243A4500P46	Housing, Axle
T-47	772040	243A4500P47	Cover, Assy., Transaxle (Incl. Nos. 54, 55, 57, 59 and 63)
T-48	770012	243A4500P48	Case Assy., Transaxle (Incl. Nos. 54, 55, 57 and 63)
T-49	792007	243A4500P49	Screw, Socket Hd. Cap, 1/4-20 x 3/4
T-50	786026	243A4500P50	Pin Dowel
T-51	792028	243A4500P51	Screw, Hex Hd. 5/16-18 x 7/8
T-52	792019	243A4500P52	Plug, Magnetic Drain
T-53	792029	243A4500P53	Lockwasher, Split 5/16"
T-54	780049	243A4500P54	Bearing, Needle

A-1354

Model 1716



REFERENCE NUMBER IS THE NUMBER ON THE DRAWING PRECEDED BY "T."

Fig. T-2

1716 TRANSAXLE

<u>Ref. No.</u>	<u>Peerless Part No.</u>	<u>GE Part No.</u>	<u>Description</u>
T-1	784218		Lever & Housing Assy., Shift, (Incl. 2, 3, 4, 5, 6 & 7)
T-2	792016		Ring, Snap
T-3	792001		Ring, Quad
T-4	792049		Pin, Drive
T-5	784088		Housing, Shift Lever
T-6	784094		Keeper, Shift Lever
T-7	784219		Lever, Shift
T-8	784056		Rod Assy., Shift (Incl. Nos. 9 thru 12 & 61)
T-9	792003		Spring
T-10	792004		Ball, Steel
T-11	784004		Fork, Shifter
T-12	784057		Rod, Shifter
T-13	784054		Rod Assy., Shift (Incl. Nos. 9, 10, 11, 14 & 61)
T-14	784055		Rod, Shifter
T-15	774242		Axle
T-16	780045		Washer, Thrust
T-17	792005		Screw, Hex Hd. Cap 1/4-20 x 2-1/2
T-18	792006		Lockwasher
T-19	778033A		Gear, Ring
T-20	786019		Pin, Drive
T-21	786027		Block, Drive
T-22	778014		Pinion, Bevel
T-23	776022		Pinion & Bushing Assy., Idler
T-24	778039		Gear, Bevel
T-25	776014		Shaft & Bearing Assy., Shifter (Incl. No. 26)
T-26	780018		Bearing
T-27	778037		Gear, Idler
T-28	776032		Shaft, Idler
T-29	784074		Stop, Shifter
T-30	788026		Gasket, Case & Cover
T-31	788003		Gasket, Shift Lever Housing
T-32	778019		Gear, Shifting (2nd & High)
T-33	778020		Gear, Shifting (1st & Rev.)
T-34	778021		Gear, Spur (26 Teeth)
T-35	786014		Spacer
T-36	778022		Gear, Spur (22 Teeth)
T-37	786015		Spacer
T-38	778023		Gear, Spur (16 Teeth)
T-39	776015A		Shaft, Input
T-40	778024		Spur Gear, Input Shaft
T-41	780001		Washer
T-42	786017		Spacer
T-43	778036		Gear, Output
T-44	778041		Pinion, Output
T-45	788007		Seal, Oil
T-46	782029		Housing Assy., Axle (Incl. No. 58)
T-47	772071		Cover Assy., Transaxle (Incl. Nos. 54, 57 & 63)
T-48	770034		Case Assy., Transaxle (Incl. Nos. 54, 60, 63)
T-49	792007		Screw, Socket Hd. Cap 1/4-20 x 3/4
T-50	786026		Pin, Dowel (5/16 x 3/4)
T-51	792013		Screw, Hex Hd. Cap 5/16-18 x 3/4
T-52	792010		Plug, Pipe
T-53	792029		Lockwasher, 5/16"
T-54	780013		Bearing
T-55	792018		Ring, Snap
T-56	780011		Bearing
T-57	780055		Bearing

1716 TRANSAXLE (Cont'd)

<u>Ref. No.</u>	<u>Peerless Part No.</u>	<u>GE Part No.</u>	<u>Description</u>
T-58	780002		Bearing
T-59	788008		Seal, Oil
T-60	788009		Seal, Oil
T-61	792017		Ring, Snap
T-63	780002		Bearing
T-68	780012		Bearing, Thrust
T-69	774037		Carrier, Differential
T-70	774036		Carrier, Differential

A-1419
Model 1216

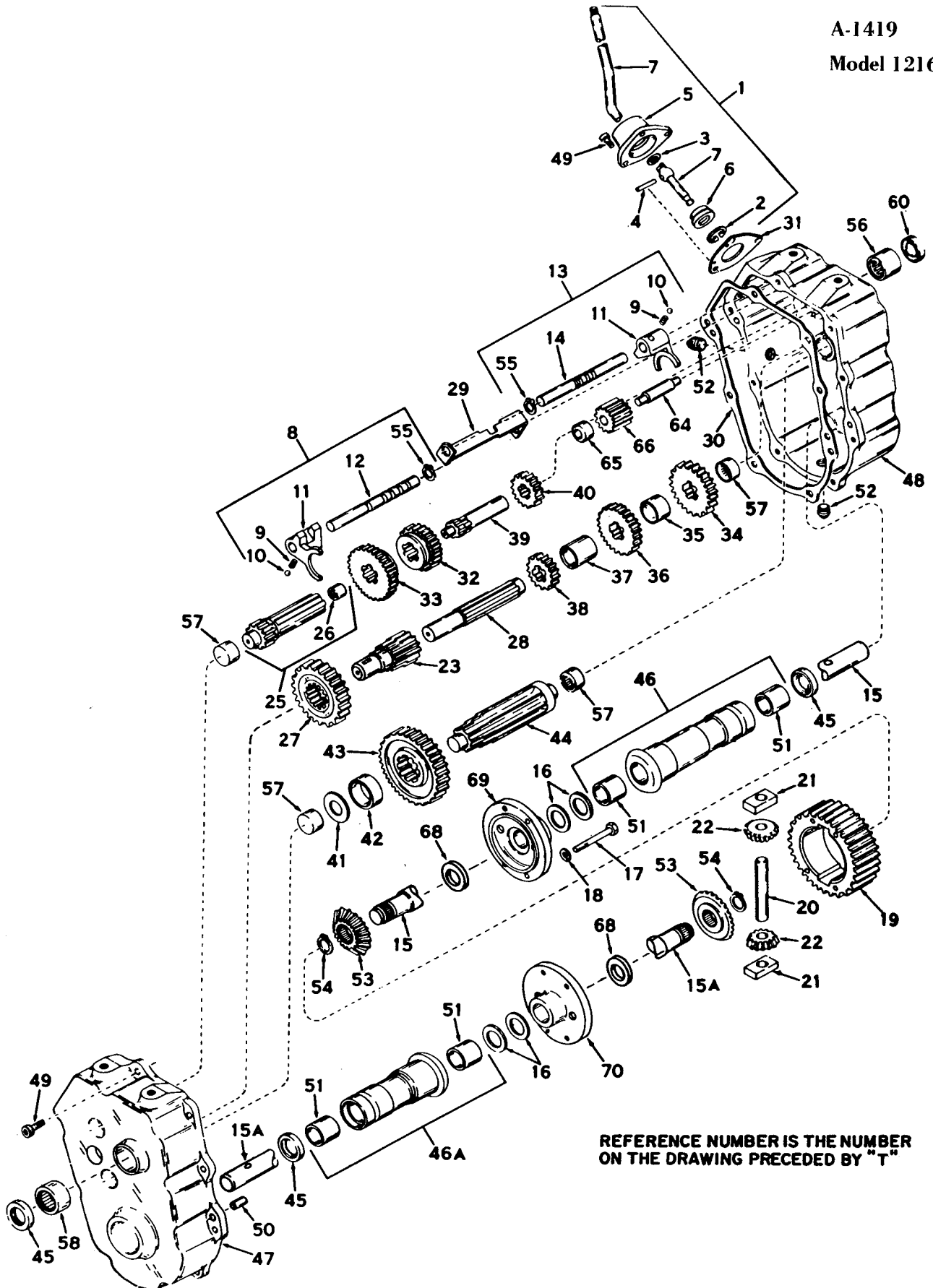


Fig. T-3

1216 TRANSAXLE

<u>Ref. No.</u>	<u>Peerless Part No.</u>	<u>GE Part No.</u>	<u>Description</u>
T-1	784231		Lever and Housing Assembly
T-2	792016		Snap Ring
T-3	792001		Quad Ring
T-4	792049		Drive Pin
T-5	784088		Shift Lever Housing
T-6	784094		Shift Lever Keeper
T-7	784232		Shift Lever
T-8	784139		Shift Rod Assembly
T-9	792003		Spring
T-10	792004		Ball, Steel
T-11	784004		Fork, Shifter
T-12	784140		Rod, Shifter
T-13	784137		Rod Asm., Shift (Incl. No. 9, 10, 11, 14 and 55)
T-14	784138		Rod, Shifter
T-15	774252		Axle, R.H.
T-15A	774253		Axle, L.H.
T-16	780042		Washer, Thrust
T-17	792020		Screw, Hex Hd. Cap, 1/4-20 x 2 1/4
T-18	792006		Lockwasher, 1/4"
T-19	778033A		Gear, Ring
T-20	786019		Pin, Drive
T-21	786027		Block, Drive
T-22	778014		Pinion, Bevel
T-23	776022		Pinion and Bushing Asm., Idler
T-25	776014		Shaft and Bearing Asm., Shifter (Incl. No. 26)
T-26	780018		Bearing
T-27	778037		Gear, Idler
T-28	776032		Shaft, Idler
T-29	784074		Stop, Shifter
T-30	788026		Gasket, Case to Cover
T-31	788003		Gasket, Shift Lever Housing
T-32	778019		Gear, Shifting
T-33	778020		Gear, Shifting
T-34	778021		Gear, Spur (26 Teeth)
T-35	786014		Spacer
T-36	778022		Gear, Spur (22 Teeth)
T-37	786015		Spacer
T-38	778023		Gear, Spur (16 Teeth)
T-39	776146		Shaft, Input
T-40	778024		Spur Gear, Input Shaft
T-41	780001		Washer
T-42	786017		Spacer
T-43	778036		Gear, Output
T-44	778041		Pinion, Output
T-45	788008		Seal, Oil
T-46	782047		Housing and Bushing Asm., Axle (Incl. No. 51)
T-46A	782042		Housing and Bushing Asm., Axle (Incl. No. 51)
T-47	772072		Cover Asm., Transaxle (Incl. Nos. 57 and 58)
T-48	770065		Case Asm., Transaxle (Incl. Nos. 56 and 57)
T-49	792007		Screw, Socket Hd. Cap, 1/4-20 x 3/4
T-50	786026		Pin, Dowel
T-51	780054		Bushing
T-52	792010		Plug, Pipe
T-53	778039		Gear, Bevel
T-54	792018		Ring, Snap
T-55	792017		Ring, Snap
T-56	780011		Bearing
T-57	780013		Bearing

1216 TRANSAXLE (Cont'd)

<u>Ref. No.</u>	<u>Peerless Part No.</u>	<u>GE Part No.</u>	<u>Description</u>
T-58	780055		Bearing
T-60	788009		Seal, Oil
T-64	776008		Shaft, Reverse Idler
T-65	786008		Spacer, Reverse Idler
T-66	778016		Idler, Reverse
T-68	780107		Washer
T-69	774029		Carrier, Differential
T-70	774028		Carrier, Differential

MISCELLANEOUS & HARDWARE

E20, E15, E12S, E12, E12M

<u>Ref. No.</u>	<u>Part No.</u>	<u>Description</u>
Z-1	541C922P1	Instruction Decal (Located Under Hood)
Z-2	211A3599P1	Paint (Spray Yellow)
Z-3	243A4640P1	Front Wheel Bearing
Z-4	243A4680P1	Grease Tube (2 oz.)
Z-5	243A4564P5	Plug (P-1)
Z-6	243A4564P4	Plug (P-2)
Z-7	243A4564P3	Plug (P-4)
Z-8	243A4568P4	Jack (J-1)
Z-9	243A4568P5	Jack (J-2)
Z-10	243A4568P3	Jack (J-4)
Z-11	211A3594G2	Terminal Kit
Z-12	N3400P606	Woodruff Key (Brake)
Z-13	N3400P809	Woodruff Key (Rear Axle)
Z-14	N3402P6032	Key (Drive Motor)
Z-15	N922P75C6	Snap Ring (Front Axle)
Z-16	243A4587P1	Thrust Washer (Front Axle)
Z-17	N533P1316	Roll Pin (Front Axle)
Z-18	N533P1916	Roll Pin 3/16 x 1" (Lift Actuator)
Z-19	N533P2516	Spring Dowel Pin (Steering Wheel)
Z-20	N533P1618	5/32 x 1 1/8 Spring Dowel Pin (Brake Asm)
Z-21	211A3584P1	Curved Washer (Parking Brake Lever)
Z-22	243A4613P1	Shim Washer (Steering)
Z-23	N402AP18B6	Plain Washer (Steering)
Z-24	N402P45B6	Washer (For Front Lift)
Z-25	211A3488P1	Push Nut (Spring Clip, Brake Rod)
Z-26	N264P21B6	1/4-20 Locking Nut, Hex (Used on Brake Shoulder Screw)
Z-27	211A3562P1	Speed Nut (On Charger Screen)
Z-28	N503P1220B6	Cotter Pin (Steering)
Z-29	N503P1216	Cotter Pin (Front Roller, Mower)
Z-30	211A3505P2	Clevis Pin (Frame)
Z-31	243A4810P1	Battery Cap Wrench
Z-32	163B9887G1	Battery Clamp Assembly
Z-33	211A3439G1	Battery Clamp, Right
Z-34	211A3439G2	Battery Clamp, Left
Z-35	211A3440G1	Battery "U" Clamp
Z-36	211A3442P1	Battery Clamp Bar
Z-37	243A4543P3	Hair Pin Cotter
Z-38	243A4543P1	Hair Pin Cotter
Z-39	243A4539P3	Mate-N-Lok (60620-1)
Z-40	243A4552P2	Mate-N-Lok (60619-1)
Z-41	243A4541P3	Ring, Awg. 12-10, 1/4 Stud (31172)
Z-42	243A4541P4	Ring, Awg. 8, 1/4 Stud (33461)
Z-43	243A4541P5	Ring, Awg. 6, 1/4 Stud (321598)
Z-44	243A4541P6	Ring, Awg. 12-10, 5/16 Stud (31827)
Z-45	243A4541P7	Ring, Awg. 8, 5/16 Stud (31808)
Z-46	243A4541P8	Ring, Awg. 16-14, #10 Stud (34123)
Z-47	243A4541P9	Ring, Awg. 16-14, 1/4 Stud (31256)
Z-48	243A4541P10	Ring, Awg. 16-14, 5/16 Stud (31257)
Z-49	243A4541P11	Ring, Awg. 22-16, 5/16 Stud (31252)
Z-50	243A4541P1	Ring, Awg. 12-10, #10 Stud (31805)
Z-51	243A4822P1	Receptacle, Awg. 16-14 (60628-1)
Z-52	243A4822P2	Receptacle, Awg. 16-12, 1/4 (42844-1)
Z-53	243A4553P1	Receptacle, Awg. 20-16, #18, (60972-2)
Z-54	243A4566P1	Common Tab (60843-1)
Z-55	243A4660P1	Shur Plug Receptacle (61075-2)
Z-56	243A4567P1	Splice

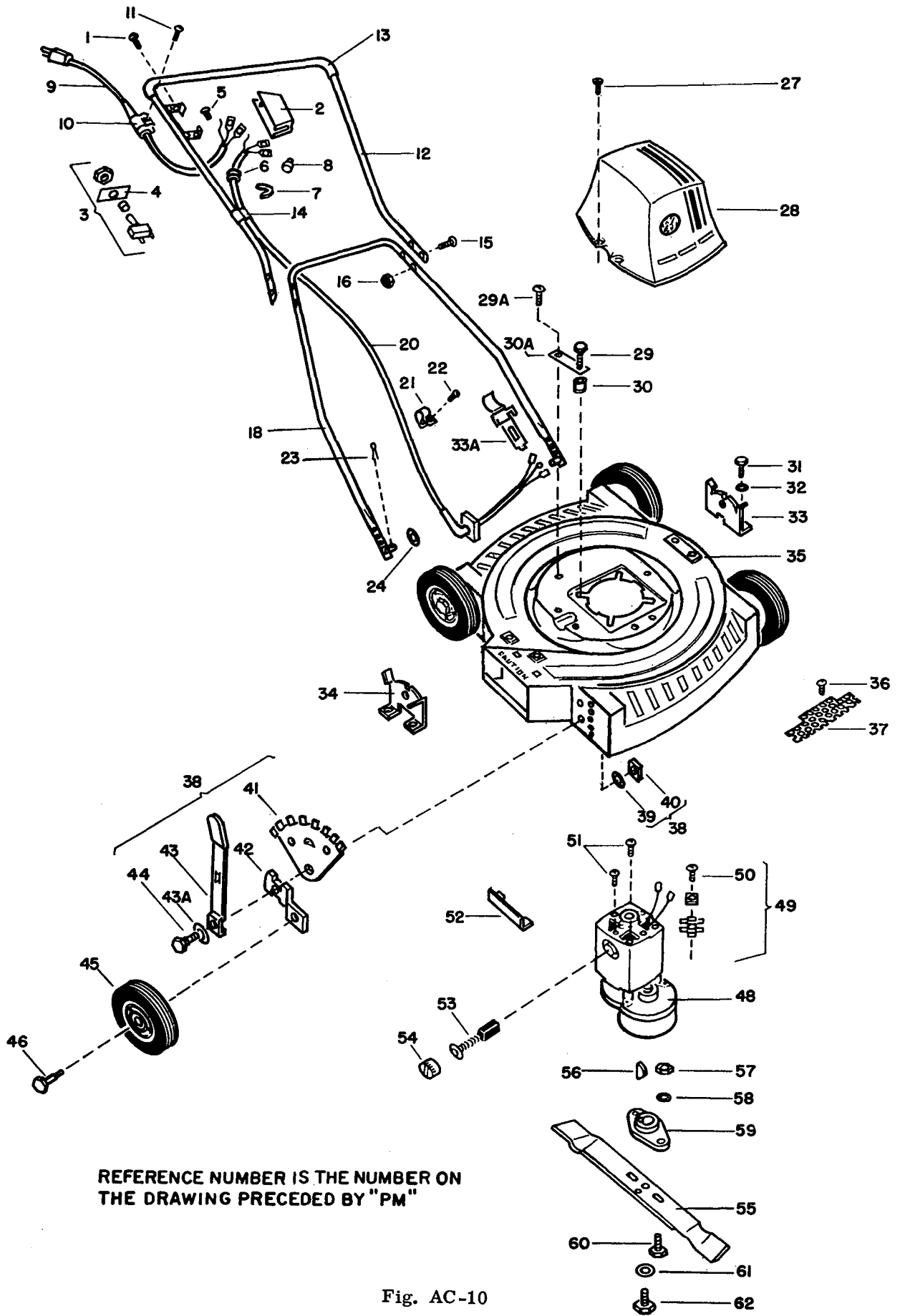
MISCELLANEOUS & HARDWARE

E8M, E10M

<u>Ref. No.</u>	<u>Part No.</u>	<u>Description</u>
Z-57	211A3505P1	Clevis Pin (Seat Housing Hinges and Line Asm)
Z-58	N503P1212B6	Cotter Pin (For Z-57; 1/8 x 3/4)
Z-59	211A3505P14	Clevis Pin (Brake and Clutch Rod)
Z-60	211A3505P17	Clevis Pin (Parking Brake)
Z-61	N503P916B6	Cotter Pin (For Z-59 and Z-60; 3/32 x 1)
Z-62	244A7221P1	Clevis Pin (Rear Wheel)
Z-63	N503P1516B6	Cotter Pin (For Z-62; 5/32 x 1)
Z-64	155C8167P1	Instruction Decal (Located Under Hood)
Z-65	211A3589P4	Grommet (Bottom of Tractor)
Z-66	244A7327P1	Sleeve (Under Steering Wheel)
Z-67	244A7438P1	Cable Clip

E8M - E10M ROTARY MOWER - MID MOUNT

<u>Ref. No.</u>	<u>Part No.</u>	<u>Description</u>
MT-1	155C8086P1	Mower Motor
MT-2	244A7073G1	Rod Assembly
MT-3	247A7351G1	Wiring Harness
MT-4	243A4543P1	Hair Pin Cotter
MT-5	178B8175P1	Mower Blade (30 ^o) High Discharge
	178B8175P2	Mower Blade (15 ^o) Low Discharge
MT-5	178B8497P1	Mower Blade (30 ^o) High Discharge EA, FA, GA
	178B8497P2	Mower Blade (15 ^o) Low Discharge Model EA, FA, GA
MT-6	163B9932G2	Clutch Asm.
MT-7	243A4577P2	Clutch Body
MT-8	243A4576P1	Washer, Fibre
MT-9	243A4578P1	Clutch Washer
MT-10	211A3564P3	Screw, Self Locking Cap
MT-11	244A7145P1	Wheel
MT-12	N22P25044B6	Bolt, Hex
MT-13	N210P25B6	Nut
MT-14	N402AP43B6	Washer
MT-15	N405P13C6	Lockwasher
MT-16	211A3512P1	Caution Decal
MT-17	244A7325P1	Caution Decal
MT-18	N402AP43B6	Washer
MT-19	587E960G1	Housing Ass.
MT-20	247A7400P1	Clamp
MT-21	247A7399P1	Mower Motor Brake Model EA, FA, GA
MT-22	158C9045P1	Baffle Model EA, FA, GA
MT-23	247A7595G1	Foot Guard Asm. Model EA, FA, GA
MT-24	211A3589P1	Grommet
MT-25	247A7552P1	Insert Model EA, FA, GA
MT-26	211A3530P2	Circuit Breaker
MT-27	244A7203P1	Screw
MT-28	243A4600P1	Pin Housing
MT-29	243A4596P1	Socket Housing (Located on Tractor Cable Harness)



REFERENCE NUMBER IS THE NUMBER ON
 THE DRAWING PRECEDED BY "PM"

Fig. AC-10

ELEC-TRAK LAWNMOWER - WALK BEHIND

Model PM32B

<u>Ref. No.</u>	<u>Part No.</u>	<u>Description</u>
PM-1	XX2014	Screw (Holds Key 2)
PM-2	XL8419	Switch Housing
PM-3	XL8070	Switch (Less Key 4)
PM-4	XL8083	Escutcheon (For Switch)
PM-5	XX2026	Terminal Screw
PM-6	XX778	Grommet
PM-7	XL8073	Strain Relief
PM-8	XX730	Wire Connector
PM-9	XL8234	Cord Set & Plug
PM-10	XL8063	Clip (Holds 9 to 12)
PM-11	XX2056	Screw (Holds 10 to 12)
PM-12	XL8239	Handle Tube & Sleeve
PM-13	XL8101	Sleeve
PM-14	XL8015	Clip (Holds Key 20 to 12)
PM-15	XL8074	Bolt
PM-16	XX3027	Nut
PM-18	XL8240	Handle Tube (Lower)
PM-20	XL8233	Cord Set (From Switch to Motor)
PM-21	XX782	Cord Clamp
PM-22	XX1005	Screw
PM-23	XX772	Cotter Pin
PM-24	XX5050	Washer
PM-27	XX2006	Screw
PM-28	XL8225	Motor Cover
PM-29	XL8026	Bolt
PM-30	XL8016	Grommet & Washer
PM-31	XX1131	Bolt
PM-32	XX5053	Lockwasher
PM-33	XL8191	Handle Bracket
PM-33A	XL8218	Latch
PM-34	XL8213	Handle Bracket (Chute Side)
PM-35	XL8228	Base Assembly
PM-36	XX2016	Screw
PM-37	XL8146	Screen
PM-38	XL8189	Wheel Height Adjuster (Reversible)
PM-39	XX5080	Lockwasher
PM-40	XX5076	Nut
PM-41	XL8209	Bracket
PM-42	XL8241	Lever
PM-43	XL8211	Wheel Handle
PM-43A	XX5081	Washer
PM-44	XL8242	Shoulder Bolt
PM-45	XL8221	Wheel
PM-46	XL8243	Wheel Bolt
PM-48	XL9000B	Drive Unit (Sold on Exchange Basis Only)
PM-49	XL8010	Terminal Board Kit
PM-50	XX1005	Screw
PM-51	XX1005	Screw
PM-52	XL8103	Baffle
PM-53	XL8031	Carbon Brush & Spring
PM-54	XL8032	Brush Cap
PM-55	XL8138	Blade
PM-56	XL8028	Drive Key
PM-57	XX3038	Adapter Nut
PM-58	XX5064	Lockwasher
PM-59	XL8144	Blade Adapter
PM-60	XX1130	Adapter Bolt
PM-61	XX5068	Lockwasher
PM-62	XL8011	Center Bolt

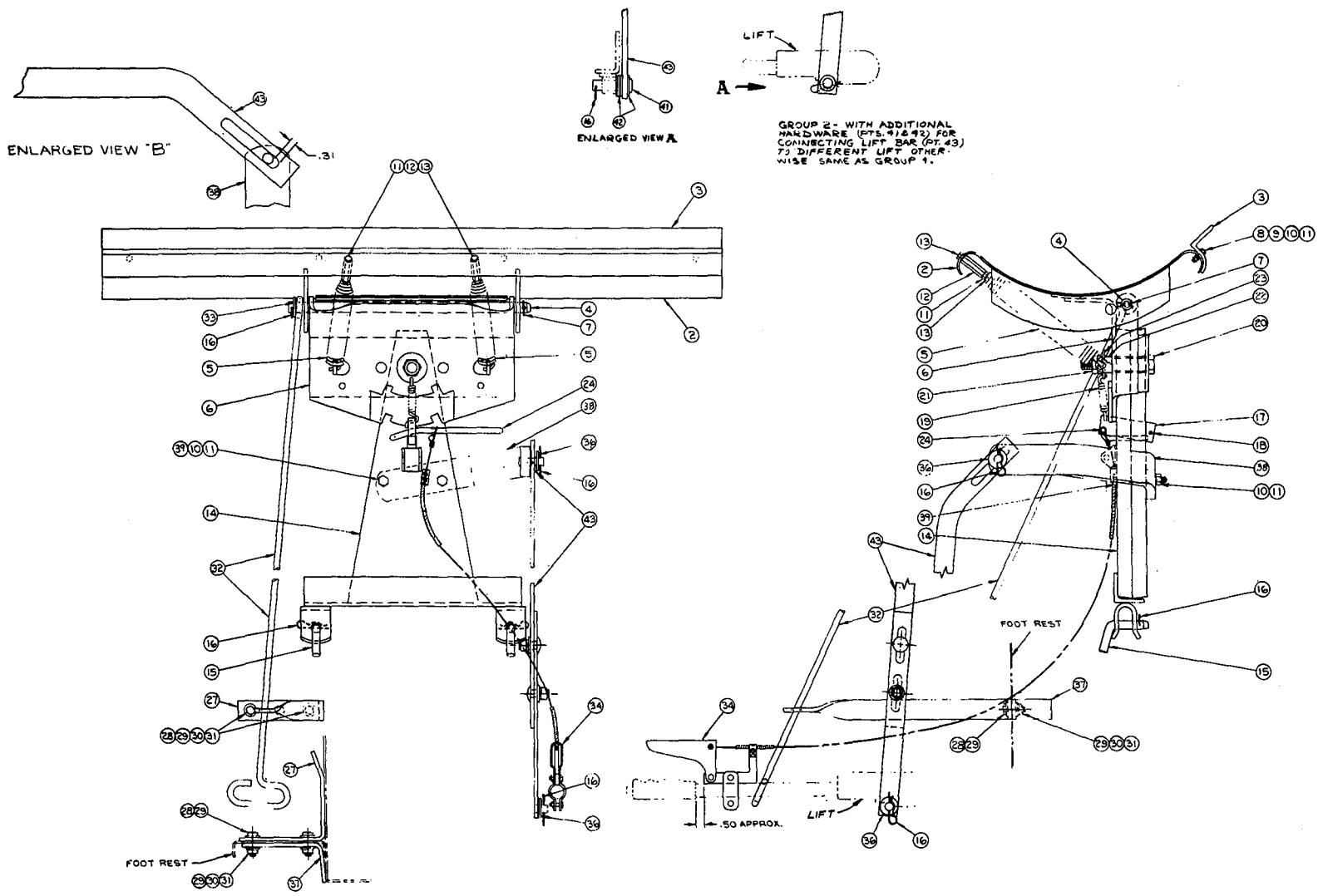


Fig. AC-11

42" SNOW/DOZER BLADE

<u>Ref. No.</u>	<u>Part No.</u>	<u>Description</u>
AB-2	243A4890G2	Blade Asm.
AB-3	178B8059P2	Wear Bar
AB-4	243A4891P2	Pivot Rod
AB-5	243A4892P1	Spring, Blade Trip
AB-6	243A4893G1	Pivot Plate Asm.
AB-7	N503P1520B6	Cotter Pin
AB-8	N62P25016B6	Bolt, Carriage (3/8-16 x 1)
AB-9	N402AP43B6	Washer (3/8)
AB-10	N405P13C6	Lockwasher (3/8)
AB-11	N258P25B6	Hex Nut (3/8-16)
AB-12	243A4894P1	Coupler Nut
AB-13	N22P25024B6	Hex Bolt (3/8-16 x 1.5)
AB-14	155C8009G2	Push Tube Asm.
AB-15	243A4895P1	Drilled Pin
AB-16	243A4543P1	Hair Pin Cotter
AB-17	243A4896P1	Pivot Bar Lock
AB-18	N533P2516B	Spring Pin
AB-19	243A4897P1	Spring, Angle Lock
AB-20	N22P35072B6	Hex Bolt (3/4-10 x 4.50)
AB-21	N213P35B6	Hex Nut (3/4-10)
AB-22	243A4898P1	Spacer
AB-23	243A4899P1	Washer
AB-24	178B8081P1	Handle, Bar Lock
AB-27	178B8259P1	Support Angling Rod
AB-28	N22P23018B6	Hex Bolt (5/16-18 x 1 1/8)
AB-29	N402AP72B6	Washer (5/16)
AB-30	N405P12C6	Lockwasher (5/16)
AB-31	N210P23B6	Hex Nut (5/16-18)
AB-32	178B8255P1	Angling Rod
AB-33	N402AP48B6	Washer (3/4)
AB-34	178B8268G1	Bar Lock Release Cable
AB-36	N402AP45B6	Washer (1/2)
AB-37	178B8287P1	Support Bracket
AB-38	247A7384G1	Lift Bracket Asm.
AB-39	N22P25052B6	Hex Bolt (3/8-16 x 3.25)
AB-41	211A3505P20	Clevis Pin
AB-42	N402AP15B6	Washer (1/2)
AB-43	178B8463G1	Lift Bar Asm.

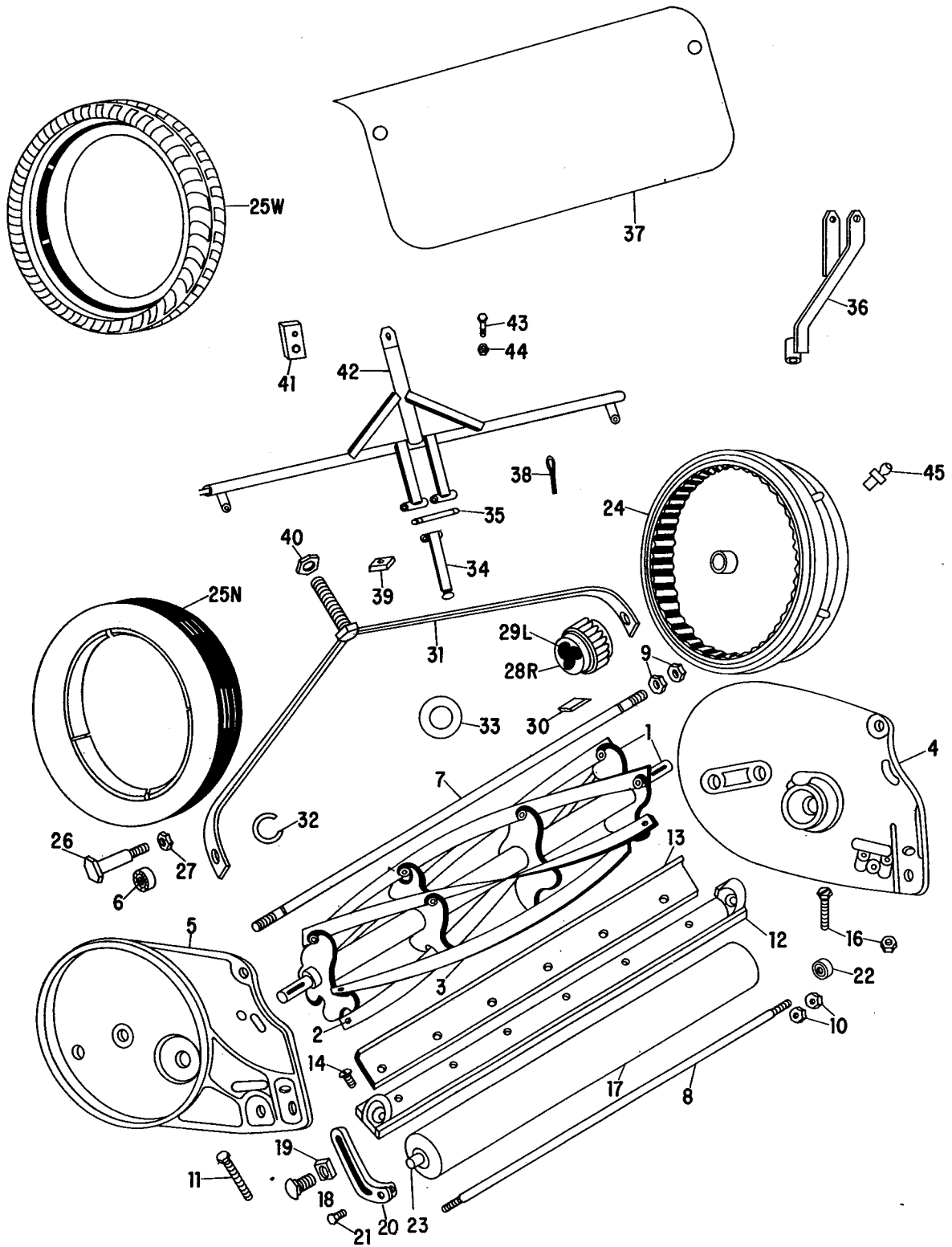


Fig. AC-12

FRONT MOUNTED 56" GANG MOWER

Model AR 56

When ordering parts, always include parts number and full description.

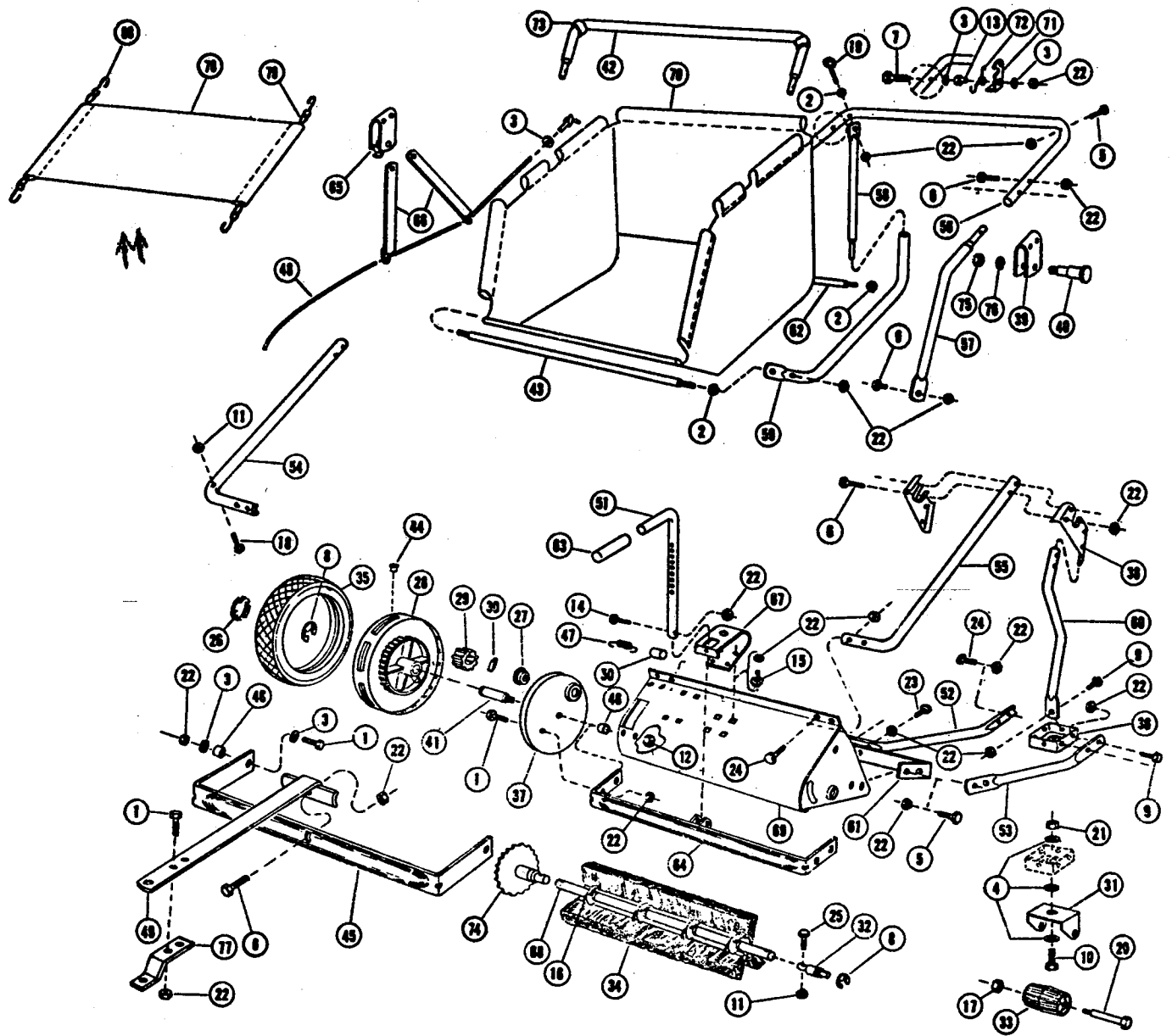
Send orders direct to: Roxy Bonner, Inc.
2000 Pioneer Road
Huntingdon Valley, Pennsylvania 19006

or call: Area Code (215) 675-6869 - Parts

All parts are shipped F.O.B. Huntingdon Valley, Pennsylvania, with terms of net 30 days.

Roxy Bonner warrants its mowers solely against defects in material and workmanship under normal use and service, the obligation under this warranty being limited to making good, at the factory, any parts thereof which shall, within one year after delivery to customer, be returned to company with transportation charges prepaid. This warranty does not apply to any used Roxy mowers or to units repaired or altered in other than company approved shops.

<u>Ref. No.</u>	<u>Part No.</u>	<u>Description</u>
AR-1	6100	Reel Assembly 21"
AR-2	R3-3.5	Reel Blade Rivet
AR-3	6103	Reel Blade
AR-4	6187	Side Plate R - Wide Wheel
AR-5	6188	Side Plate L - Narrow Wheel
AR-6	9400	Side Plate Bearing
AR-7	6128	Tie Rod 5/8, swaged on end
AR-8	6106	Tie Rod 1/2
AR-9	NF-10F	5/8 Jam Nut
AR-10	NF-8F	1/2 Jam Nut
AR-11	B6-12	Side Plate to Cutter Bar Bolt 3/8 x 1 1/4 Hx.
AR-12	6189	Castback
AR-13	6111	Bedknife
AR-14	BK2-12	Bedknife Screws 1/4 x 1/2
AR-15	B05-12	Adj. Screw, Front, 1 1/4
AR-16	B05-14/N5	Adj. Screw, Rear 1 1/2/Locknut 5/16 x 1/2
AR-17	6115	Roller - Less Brg.
AR-18	BJ6-10	Roller Bracket Bolt 3/8 x 1
AR-19	NA-6	Square Nut 3/8
AR-20	6022	Roller Bracket
AR-21	BR4-4	Set Screw 1/4 x 1/2
AR-22	9402	Bearings for Roller
AR-24	6197	Wide Wheel
AR-25W	9408	Wide Tire
AR-25N	9403	Narrow Tire
AR-26	9422	Wide Wheel Stud
AR-26	6119	Narrow Wheel Stud
AR-27	NF-8F	Nut for Wheel Stud 1/2 Hex
AR-28	6123	Pinion, Right
AR-29	6121	Pinion, Left
AR-30	6122	Wheel Pinion Pawl
AR-31	6127	Towing Asm, with Tie Rod 6128
AR-32	9414	Snap Ring, Wh. Shaft
AR-33	6129	Narrow Washer in 6127
AR-34	6140	Extension Arm
AR-35	6066	Extension Arm Pin
AR-36	6515	Hitch for Single Mower Unit
AR-37	6482	Deck
AR-38	C4-10	Cotter Pin 1/8 x 1
AR-39	NA-10	Square Nut 5/8
AR-40	ND-10	Lock Nut 5/8
AR-41	-----	Not Required for Elec-Trak
AR-42	6147	Main Frame
AR-43	B8-24	Hitch Bolt 1/2 x 2 1/2
AR-44	ND8	Lock Nut 1/2
AR-45	9424	Grease Fitting in Wheel



AS

TRAILING LAWN SWEEPER

Model AS 31

General Electric Elec-Trak tractor dealers should contact closest Lambert parts distributor to obtain replacement parts for AS 31.

When ordering parts, always specify model number, part number and description. Send your order direct to:

<u>State</u>	<u>Distributor</u>	<u>Address</u>
California	Tarzana Mower & Engine Parts, Inc.	6075 Reseda Boulevard Reseda, California 91335
Colorado	South Denver Auto Parts & Service	527 West Evans Denver, Colorado 80223
Illinois	Bob's Garden Center	9641 West Grand Avenue Franklin Park, Illinois 60131
Indiana	Roy's Service Shop	R. R. #7, Box 19 Anderson, Indiana 46011
Massachusetts	Morton B. Collins Co.	300 Birnie Avenue Springfield, Massachusetts 01107
Michigan	Wilson's Hardware & Lawn Supplies	1285 W. Eight Mile Road Detroit, Michigan 48203
Minnesota	Ed McDevitt Company	3387-93 Brownlow Avenue Minneapolis, Minnesota 55426
New Jersey	Repair City Corporation	67 East Ridgewood Avenue Paramus, New Jersey 07652
New York	W. J. Norton's Service, Inc.	359 Court Street Binghamton, New York 13904
	C&B Lawnmower & Kart Service	2990 Seneca Street West Seneca, New York 14224
Pennsylvania	Scranton Auto Ignition Co.	1133 Wyoming Avenue Scranton, Pennsylvania 18500
Utah	A-1 Engine & Mower Co.	437 East Ninth, South Salt Lake City, Utah 84111
Washington	Bailey Rebuild, Inc.	1325 East Madison Street Seattle, Washington 98122
Wisconsin	Schlafer Supply Company	115 West College Avenue Appleton, Wisconsin 54911
	Bill's Hardware, Inc.	13885 West Capitol Drive Brookfield, Wisconsin 53005
Canada	Addison Equipment, Ltd.	915 Oxford Street Toronto, Ontario

TRAILING LAWN SWEEPER

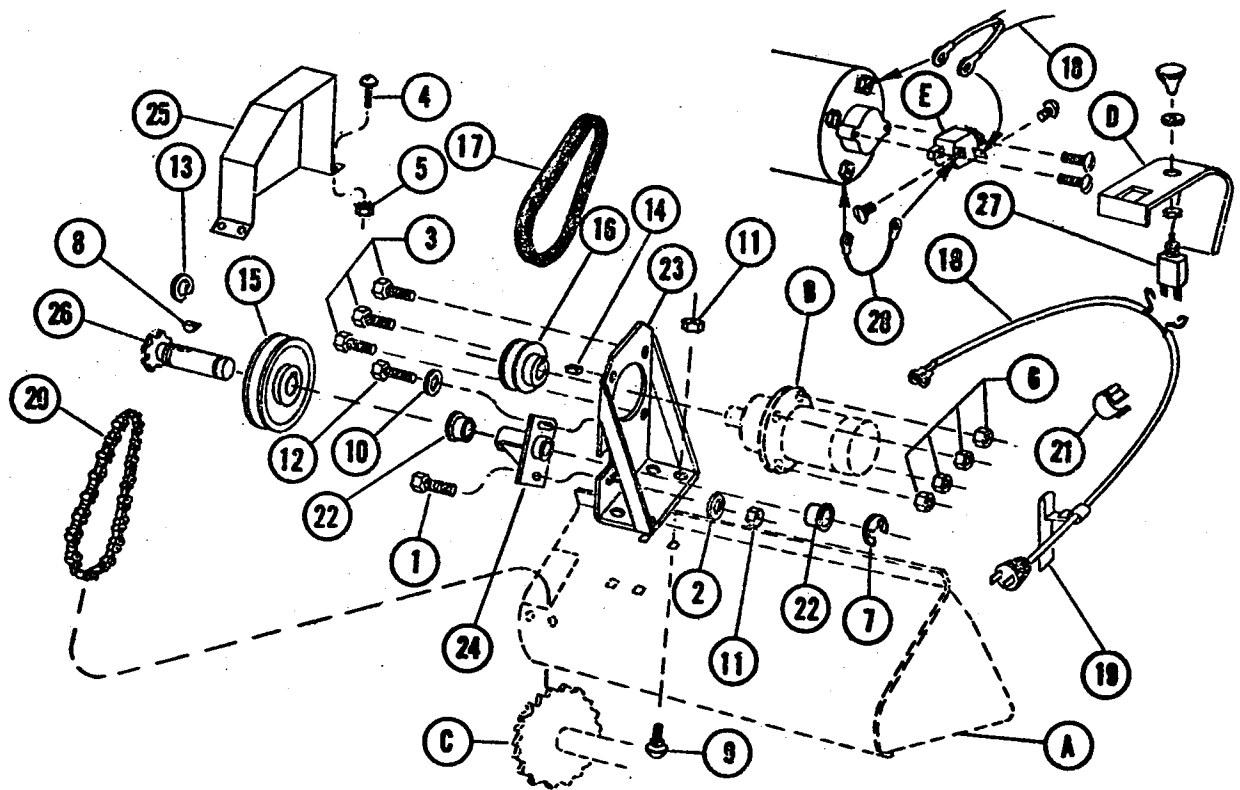
Model AS 31

<u>Ref. No.</u>	<u>Part No.</u>	<u>Description</u>
AS-1	L-59	5/16-18 x 3/4 Hex Cap Screw
AS-2	L-60	5/16-18 Hex Nut
AS-3	L-99	5/16" S.A.E. Flat Washer
AS-4	L-64A	1/2" S.A.E. Flat Washer
AS-5	L-80	5/16-18 x 1 Hex Cap Screw
AS-6	L-81	5/16-18 x 1 1/4 Hex Cap Screw
AS-7	L-127	5/16-18 x 1 1/2 Hex Cap Screw
AS-8	L-262	5/8" E-Type Ret. Ring
AS-9	L-279	5/16-18 x 1/2 Hex Cap Screw
AS-10	X-1258	1/2-13 x 1 1/4 Hex Cap Screw
AS-11	L-303	1/4-20 Lock Nut
AS-12	L-5486M	3/9-24 Lock Nut (Spec.)
AS-13	L-5552	5/16-18 Pilot Nut (Spec.)
AS-14	X-1027	5/16-18 x 1 3/4 Hex Cap Screw
AS-15	X-1042	5/16-18 x 5/8 Carr. Bolt (Spec.)
AS-16	X-1043	Brush Holder Spring
AS-17	X-1127	3/8-24 Lock Nut
AS-18	X-1234	1/4-20 x 1 Eye Bolt
AS-19	X-1235	5/16-18 x 2 3/4 Eye Bolt
AS-20	X-1293	Caster Stud
AS-21	X-1353	1/2-13 Lock Nut
AS-22	X-1107	5/15-18 Lock Nut
AS-23	X-1358	5/16-18 x 1 1/4 Tube Bolt
AS-24	X-1359	5/16-18 x 1 Tube Bolt
AS-25	X-2020	1/4-20 x 1 Hex Cap Screw
AS-26	L-5471B	Hub Cap
AS-27	L-5497A	Freeway Bearing
AS-28	L-5750A	Die Cast Wheel Assembly
AS-29	L-5753H	Pinion Gear
AS-30	L-5761H	Pinion Pawl
AS-31	1-1640	Caster Bracket
AS-32	1-1179	Brush Stud Axle
AS-33	1-1633	Caster Roller
AS-34	1-1421	Brush Strip
AS-35	1-1637	10 x 2.25 Tire
AS-36	1A-1638	Caster Plate Assembly
AS-37	1-1428	Wheel Shield
AS-38	1-1429	Frame Pivot Bracket
AS-39	1-1430	Pivot Bracket
AS-40	1-1443	Pivot Pin
AS-41	1-1444	Wheel Stud
AS-42	1-1454	Pivot Stand Tube
AS-43	1-1455	Hamper Tie Rod
AS-44	L-288	Oiler
AS-45	1-1817	"U" Bar
AS-46	1-1458	Spacer (Axle)
AS-46	1-1526	Spacer (Hitch)
AS-47	1-1465	Adjustment Spring
AS-48	1-1467	Dump Rope
AS-49	1A-1782	Hitch Tongue
AS-50	1-1474	Retainer Tube
AS-51	1-1479	Adjustment Tube
AS-52	1-1601	Pivot Stand Brace
AS-53	1-1825	Pivot Stand Brace
AS-54	1-1488	Pivot Stand Tube R.

TRAILING LAWN SWEEPER (Continued)

Model AS 31

<u>Ref. No.</u>	<u>Part No.</u>	<u>Description</u>
AS-55	1-1489	Pivot Stand Tube L.
AS-56	1-1493	Top Hamper Tube
AS-57	1-1495	Side Hamper Tube
AS-58	1-1496	Hamper Tube
AS-59	1-1497	Bottom Tube
AS-60	1-1602	Pivot Support R.
AS-60	1-1603	Pivot Support L.
AS-61	1-1770	Stiffener
AS-62	1-1519	Rear Hamper Rod
AS-63	1-1522B	Handle Grip
AS-64	1A-1780	Bumper Assembly
AS-65	1A-1484	Bracket Assembly
AS-66	1A-1440	Lever Assembly
AS-67	1A-1823	Adjustment Bracket
AS-68	1A-1419	Brush Axle Assembly
AS-69	1A-1791	Shield Assembly
AS-70	1A-1818	Hamper Assembly
AS-71	1-1537	Hamper Latch
AS-72	1-1538	Latch Spring
AS-73	1-1604	Rubber Sleeve
AS-74	1A-1408	Drive Sprocket Assembly
AS-75	X-1126	3/8-24 Hex Nut
AS-76	X-1070	3/8" Lock Washer
AS-77	1-1553	Hitch Pin Bracket
AS-78	1A-1562	Wind Apron
AS-79	1A-1605	Stretch Cord
AS-80	X-1361	Cord Hook



KS

LAWNSWEEPER MOTOR KIT

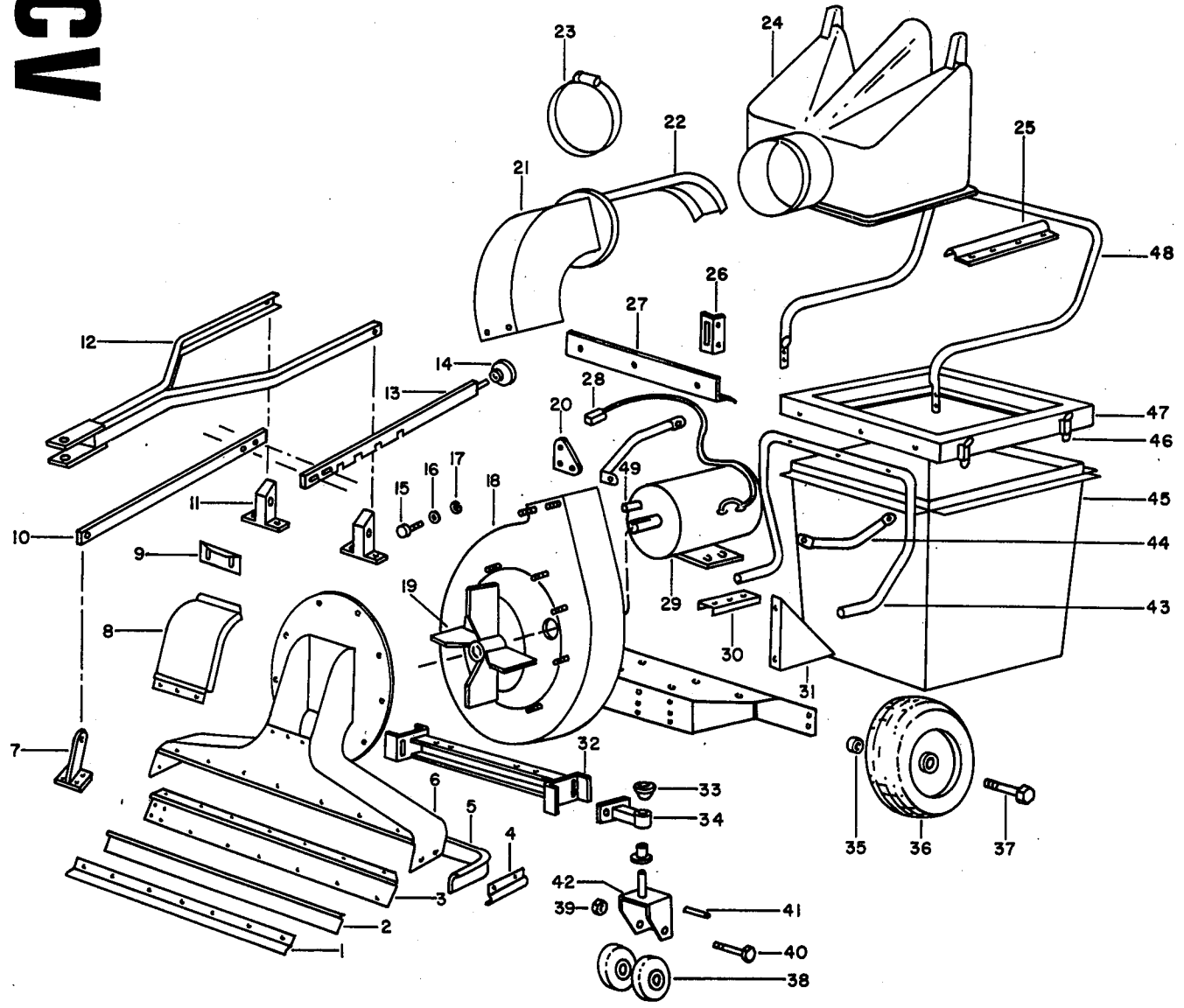
Model KS 31

When ordering parts, always specify model number, quantity and description in detail.

Send orders direct to your nearest Lambert dealer (see AS 31 for a listing). For the motor kits KS 32 which is required in conjunction with the KS 31 kit, contact outdoor power equipment, Schenectady, New York.

<u>Ref. No.</u>	<u>Part No.</u>	<u>Description</u>
1	L-59	5/16-18 x 3/4 Hex Cap Screw
2	L-99	5/16" S. A. E. Flat Washer
3	L-172	1/4-20 x 3/4 Hex Cap Screw
4	L-242A	#10-24 x 1/2 Rd. Head Mach. Sc.
5	L-242B	#10-24 Kep-Nut
6	L-303	1/4-20 Lock Nut
7	X-1003	3/4" E-Type Ret. Ring
8	X-1008	#9 Woodruff Key
9	X-1042	5/16-18 x 5/8 Carr. Bolt
10	X-1099	1/4" S. A. E. Flat Washer
11	X-1107	5/16-18 Lock Nut
12	X-1182	1/4-20 x 1 1/4 Hex Cap Screw
13	X-1363	3/4" Crescent Ring
14	X-1394	5/32 Sq. x 1/2" Key
15	1-1804	5" O.D. A-Sect. Pulley
16	1-1805	2 1/2" O.D. A-Sect. Pulley
17	1-1806	20" A-Sect. Belt
18	1-1808	10' Cord W/Switch & Rec.
19	1-1809	Cord Clip
20	1-1810	#65-46 Pitch Chain
21	4-10146	Cord Clamp
22	4-10697	Jackshaft Bushing
23	1A-1794	Mounting Bracket Ass'y.
24	1A-1798	Jackshaft Mounting Ass'y.
25	1A-1801	Belt Guard
26	1A-1803	Jackshaft Ass'y.
27	1A-1824	On-Off Switch
28	1A-1830	Circuit Breaker Wire

GV



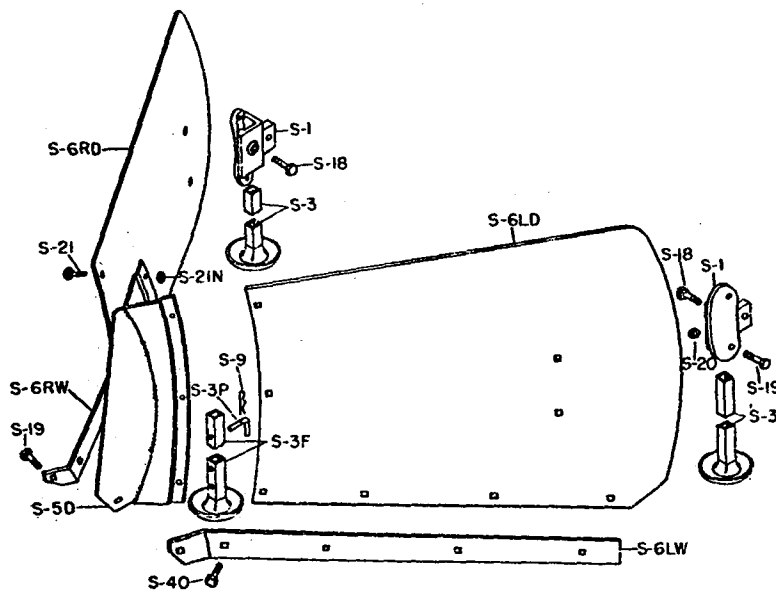
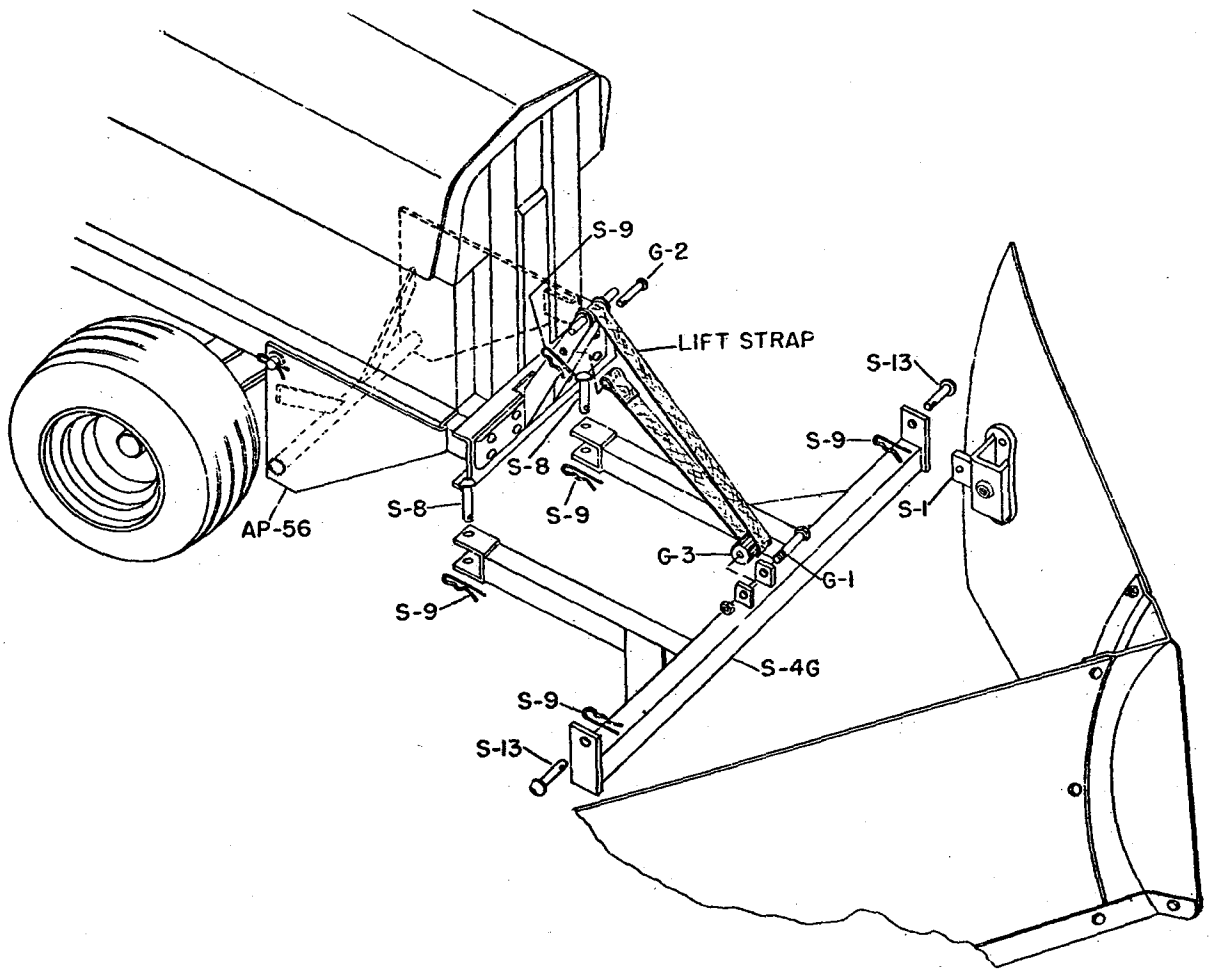
VACUUM
Model CV 60

When ordering parts, always specify model number, quantity, and description in detail.

Send orders direc to: Ecology Products
Tariffville, Connecticut

or call: Area Code (203) 658-2226

<u>Ref. No.</u>	<u>Part No.</u>	<u>Description</u>
1	60352-0	Clamping Strip Front and Rear
2	60351	Skirt, Door
3	40111-0	Door Assembly
4	60353-0	Clamping Strip Side
5	60350	Skirt - Rear and Side
6	40103-0	Intake Housing
7	40222-0	Bracket Assembly
8	40109-0	Cover Assembly
9	60018-0	Lever, Lower
10	60218-0	Latch
11	40375-0	Tow Bracket
12	40379-0	Tow Bar
13	60219-0	Lever Upper
14	60244	Knob
15	60077	Bolt 5/16-24 x 1 3/4
16	60076	Washer 5/16 Lock
17	60075	Washer 5/16 Flat
18	40388	Housing Assembly
19	40079	Impeller 12" Dia.
20	60486-0	Plate, Brace
21	40138-0	Chute Assembly
22	60144-0	Deflector
23	60149	Clamp 8"
24	60233	Venting Bag
25	60285	Clamping Strip
26	60221	Bracket, Lever Locking
27	60281	Guide Angle
28	40404	Wiring Harness
29	60391	Motor G. E.
30	60095-0	Riser Channel
31	60392-0	Brace Housing to Base
32	40118-0	Carrier Bar Assembly
33	60131	Bearing
34	40126	Caster Extension
35	60025	Nut, Lock 5/8-18
36	60359	Wheel Pneumatic 10"
37	60029	Bolt 5/8-18 x 3 3/4
38	60026	Wheel 5" Dia.
39	60025	Nut, Lock 3/8-16
40	60024	Bolt 3/8-16 x 4
41	60023	Sleeve Axle
42	40125-0	Caster Bracket
43	60229	Handle Lower
44	60139	Brace
45	40288	Container
46	60290	Catch
47	40279-0	Frame Assembly Container
48	60230	Handle Upper



BV

V-PLOW
Model BV 48

When ordering parts, always specify model number, quantity, and description in detail.

Send orders direct to: Lantz Manufacturing Division
 Superior Implement and Supply Co.
 Greenville, Ohio 45331

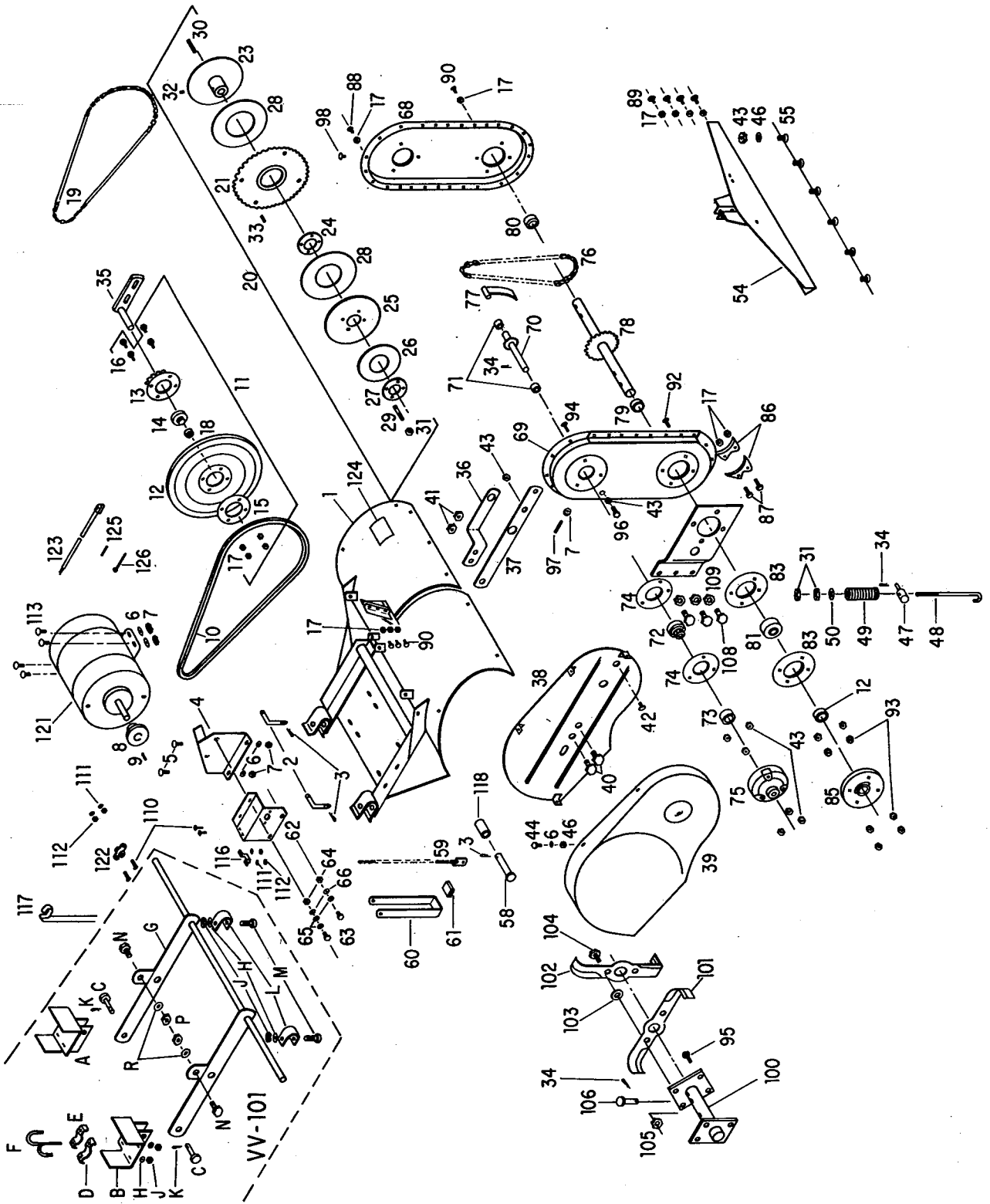
or call: Area Code (513) 548-2171

<u>Part No.</u>	<u>Description</u>
S-5D	Center Nosepiece
S-6LD	Left Blade Section, Deluxe
S-6RD	Right Blade Section, Deluxe
S-6LW	Left Wear Edge
S-6RW	Right Wear Edge
S-1	Main Frame Mounting Brackets
G-1	Cap Screw and Grip Nut, 3/8" x 2-3/4"
G-2	Clevis Pin, 5/16" x 2-1/2"
G-3	Plastic Sleeve, 2" Long
S-19	Carriage Bolt, 5/16" x 1"
S-20	Grip Nuts for 5/16" Dia. Bolts
S-21	Carriage Bolt, 1/4" x 1/2"
S-21N	Grip Nuts for 1/4" x 1/2"
S-40	Carriage Bolts, 5/16" x 3/4"
S-4G	Main Frame
S-8	Clevis Pins, 3/8" x 1-7/8"
S-13	Clevis Pins, 1/2" x 1-27/64"
S-9	Hairpin Clips for Clevis Pins

OPTIONAL GAUGE SHOE KIT

Model KS 30

<u>Part No.</u>	<u>Description</u>
S-3	Gauge Shoe, Side
S-3F	Gauge Shoe, Front
S-3P	Front Gauge Shoe Pin
S-18	Cap Screw, 3/8" x 3/4"
S-9	Hairpin Clip



ROTARY TILLER

Model VV 100

When ordering parts, always include part number and full description.

Send orders direct to:

Brinly-Hardy Company, Inc.
340 E. Main Street
Louisville, Kentucky 40202

or call: Area Code (502) 585-3351

<u>Ref. No.</u>	<u>Part No.</u>	<u>Description</u>
VV-1	V-114	Shroud Assembly
VV-2	B-1610P	Pin, Drilled 5/8" D.
VV-3	D-146P	Hair Pin Cotter 1/8" x 1 7/8"
VV-4	V-126	Shield, Belt-Motor
VV-5	1M1016P	Hex Hd. Bolt, 5/16-18 x 1"
VV-6	40M1000P	Lockwasher 5/16"
VV-7	30M1000P	Hex Nut 5/16"
VV-8	V-127	Pulley, Driver with Set Screw
VV-9	V-158	Key 3/16" Sq. x 1 1/4"
VV-10	V-131	V Belt
VV-11	V-132	Pulley & Sprocket Assy (Mech. Assm.)
VV-12	V-133	Pulley - 11"
VV-13	V-134	Sprocket & Cup Assy
VV-14	V-137	Bearing 3/4" Sealed
VV-15	V-138	Washer, Reinforcing
VV-16	2M0810P	Hex Bolt 1/4"-20 x 5/8"
VV-17	B-1673P	Hex Lock Nut 1/4"-20
VV-18	V-139	Lock Collar 3/4"
VV-19	V-145	Roller Chain, ASA-50
VV-20	V-322	Sprocket-Torque Limiter Assy (Mech. Ass'm.)
VV-21	V-323	Sprocket Assembly with Bushing
VV-23	V-326	Hub Assembly
VV-24	V-329	Ring, Spacer
VV-25	V-330	Disc. Outer
VV-26	V-331	Spring, Washer
VV-27	V-332	Ring, Spring Deflector
VV-28	V-333	Clutch, Disc
VV-29	V-334	Stud, Spec. 3/8" D.
VV-30	V-335	Key, Sq. (1/4" Sq. x 1 3/4")
VV-31	30M1200P	Hex Nut 3/8"-16
VV-32	V-336	Set Screw 5/16" x 1/4"
VV-33	V-355	Roll Pin 5/16" D. x 3/4"
VV-34	50M0416P	Cotter Pin 1/8" D. x 1.0"
VV-35	V-146	Shaft-Arm Ass'y.
VV-36	V-149	Arm, Pivot (Outer)
VV-37	V-150	Arm, Pivot (Inner)
VV-38	V-151	Shield Ass'm., Inner
VV-39	V-154	Shield Outer
VV-40	V-295	Hex Hd. Bolt 5/8"-18 x 2"
VV-41	32M2000P	Hex Nut 5/8"-18
VV-42	25M1016P	Flat Hd. Mach. Screw 5/16" x 1.00"
VV-43	B-1674P	Hex Lock Nut 5/16"-18
VV-44	1M1008P	Hex Hd. Bolt 5/16" x 1/2"
VV-46	45M1111P	Flat Washer 5/16" SAE
VV-47	V-155P	Trunnion-Spring Rod

ROTARY TILLER (Continued)

Model VV 100

<u>Ref. No.</u>	<u>Part No.</u>	<u>Description</u>
VV-48	V-156P	"J" Bolt
VV-49	V-157P	Compression Spring
VV-50	45M1313P	Flat Washer 3/8" SAE
VV-52	45M1717P	Flat Washer 1/2" SAE
VV-54	V-159	Shroud Brace Ass'm. W.A.
VV-55	11M1012P	Carr. Bolt 5/16"-18 x 3/4"
VV-58	V-163P	Pin, Drilled 1/2" D. x 4 1/4"
VV-59	V-359P	Limit Chain Ass'm.
VV-60	V-369	Lift Limiter
VV-61	V-370	Pad-Vinyl
VV-62	V-361	Bracket-Circuit Breaker
VV-63	1M0812P	Hex Bolt 1/4"-2 x 3/4"
VV-64	30M0800P	Hex Nut 1/4"-20
VV-65	45M0909P	Flat Washer 1/4" SAE
VV-66	40M0800P	Lock Washer 1/4"
VV-68	V-167	Chain Housing Ass'm. (R.H.)
VV-69	V-172	Chain Housing Ass'm. (L.H.)
VV-70	V-174	Shaft & Sprocket Ass'm. 10T
VV-71	V-177	Spacer, Drive Shaft
VV-72	V-178	Bearing 1" Sealed
VV-73	V-179	Lock-Collar (1")
VV-74	V-180	Flangette Half - 1"
VV-75	V-181	Hub, Pivot (for 1" Shaft)
VV-76	V-182	Chain, Roller (ASA 60)
VV-77	V-183	Chain Tightener Ass'm.
VV-78	V-186	Tine Shaft & Sprocket Ass'm.
VV-79	V-190	Spacer, Tine Shaft (Long)
VV-80	V-191	Spacer, Tine Shaft (Short)
VV-81	V-192	Bearing 1 1/4" Bore
VV-82	V-193	Locking Collar 1 1/4"
VV-83	V-194	Flangette Half 1 1/4"
VV-84	V-195	Plate-Attaching (Lower)
VV-85	V-196	Cap, Bearing Guard
VV-86	V-197	Wear Bar
VV-87	2M0832P	Hex Bolt 1/4"-20 x 2.00"
VV-88	13M0808P	Carriage Bolt (Short Sq. Neck)
VV-89	11M0816P	Carriage Bolt 1/4" x 1"
VV-90	10M0812P	Carriage Bolt 1/4" x 3/4"
VV-92	V-207	Carriage Bolt Gr. 5 3/8"-16 x 1 1/2" Thd. to Hd.
VV-93	B-1675P	Hex Lock Nut 3/8"-16
VV-94	B-199P	Carriage Bolt 5/16"-18 x 1 1/2"
VV-95	2M1416P	Hex Bolt 7/16 x 1"
VV-96	1M1032P	Hex Bolt 5/16-18 x 2"
VV-97	V-200	Hex Socket Set Screw 5/16"-18 x 1 1/2"
VV-98	V-201	Cover, Oil Hole
VV-100	V-376	Tine Attachment Ass'm.
VV-101	M43480	Tine R.H. 1/4" x 13-1/2"
VV-102	M43481	Tine L.H. 1/4" x 13 1/2"
VV-103	B723	Washer-Spec.
VV-104	2M1424P	Hex Bolt 7/16"-14 x 1 1/2"
VV-105	B-1676	Hex Lock Nut 7/16"-14
VV-106	B-1345P	Pin-Tine Tub. Conn. 1/2" D. x 2"
VV-108	2M1632P	Hex Bolt 1/2"-13 x 2"
VV-109	B-1677P	Hex Lock Nut 1/2"-13

ROTARY TILLER (Continued)

Model VV 100

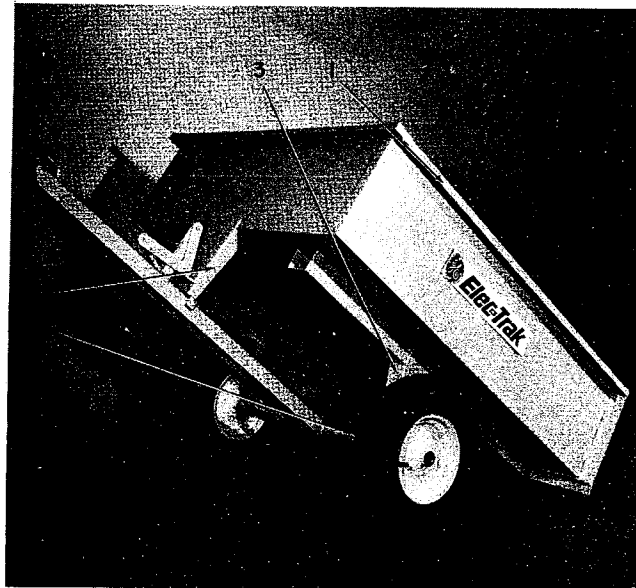
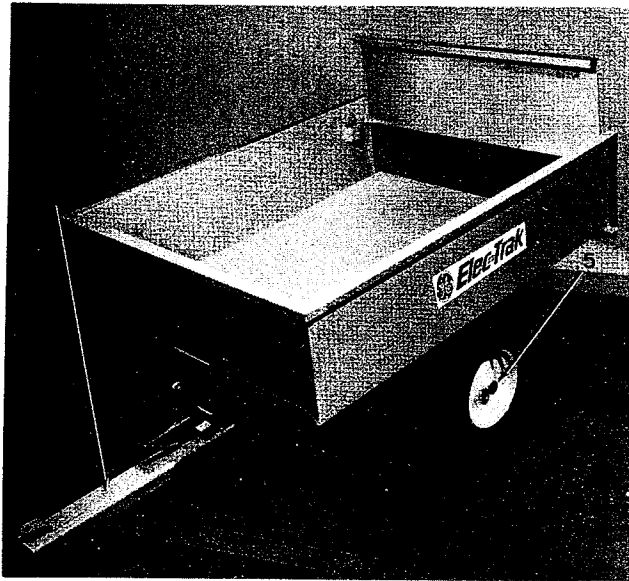
<u>Ref. No.</u>	<u>Part No.</u>	<u>Description</u>
VV-110	V-128P	Pan Head Mach. Screw-Phillips Hd. 10-32 x 7/8"
VV-111	V-130P	Lockwasher #10
VV-112	V-129P	Hex Nut #10-32
VV-113	11M1016P	Carriage Bolt 5/16"-18 x 1.0"
VV-116	V-362P	Cable Clamp
VV-117	V-375	Clip-Power Cable
VV-118	V-374	Tube-Roller
VV-121*	163B9956P1	Motor-Tiller
VV-122*	243A4606P1	Circuit Breaker
VV-123*	243A4528G1	Cord Ass'm.
VV-124*		Decal, Caution
VV-125*	211A3556G3	Jumper Wire
VV-126*	243A4540P2	Cable Tie

TILLER MOUNTING BRACKET

Model VV 101

<u>Ref. No.</u>	<u>Part No.</u>	<u>Description</u>
VV-A	V-100	Axle Bracket, R. H.
VV-B	V-101	Axle Bracket, L. H.
VV-C	H200P	Drilled Rivet 1/2" D. x 1 1/2"
VV-D	V-106	Spacer, Axle (Outer-Heavy)
VV-E	V-107	Spacer, Axle (Inner-Light)
VV-F	V-108P	"U" Bolt 3/8" D.
VV-G	V-109	Bail Ass'm.
VV-H	40M1200P	Lock Washer 3/8"
VV-J	30M1200P	Hex Nut 3/8"-16
VV-K	D-146P	Hair Pin Cotter 1/8" x 1 7/8"
VV-L	V-105	Clevis-Positioning
VV-M	10M1232P	Carriage Bolt 3/8"-16 x 2"
VV-N	1M1620P	Hex Bolt 1/2"-13 x 1 1/4"
VV-P	30M1600P	Hex Nut 1/2"-13
VV-R	40M1600P	Lock Washer 1/2"

*GE Parts - Available through O. P. E. O.
All other parts available through Brinly-Hardy Co.



AF

12 CUBIC FOOT DUMP CART

MODEL AF 12

WHEN ORDERING PARTS, ALWAYS INCLUDE PART NUMBERS AND
FULL DESCRIPTION.

SEND ORDERS DIRECT TO: OHIO STEEL FABRICATORS
2575 FERRIS ROAD
COLUMBUS, OHIO 43224

OR CALL: AREA CODE (614) 471-4800

<u>REF. NO.</u>	<u>PART NO.</u>	<u>DESCRIPTION</u>
AF-1	3648-1	BODY
AF-2	3648-7	LATCH SPACER
AF-3	3648-8	STRUT (2 REQUIRED)
AF-4	3648-9	DRAW BAR
AF-5	3648-10	WHEEL (2 REQUIRED)
AF-6	3648-11	AXLE

ENCLOSED CAB

Model AG 55

When ordering parts, always specify cab, model number, part number and description in detail.

Send orders direct to: Curtis Tractor Cab, Inc.
7 Brookfield Street
Worcester, Massachusetts 01605

or call: Area Code (617) 752-4086

Each cab is guaranteed one year to be free of defects in parts and workmanship. Under guarantee all defective parts must be returned to Curtis, freight prepaid, and replacements will be returned freight collect.

<u>Part No.</u>	<u>Description</u>
AG-1	Roof
AG-2	Front, Complete with Glass Windshield
AG-3	Front, Without Glass Windshield
AG-4	Rear Legs, Right and Left
AG-5	Left Side Curtain with Zipper
AG-6	Right Side Curtain
AG-7	Rear Curtain
AG-8	Windshield Wiper Motor (12-volt)
AG-9	Windshield Wiper Arm
AG-10	Windshield Wiper Blade
AG-11	Male Snaps for Cab (Require Rivets)
AG-12	Rivets (Special Machine Required to Set - <u>Not Available</u>)
AG-13	Threaded Male Snaps and Nuts
AG-14	Rubber for Mounting Windshield Glass
AG-15	Safety Glass for Windshield
AG-16	5/16-18 Bolt, Nut and Washer
AG-17	5/8 I.D. Grommet for Wiper Installation
AG-18	3/16 I.D. Grommet for Wiper Installation
AG-19	Cab Shipping Carton
AG-20	Mounting Pads for Fenders (2 Required)
AG-21	Mounting Pad for Windshield

CANOPY TOP, DOUBLE SEAT, GOLF BAG HOLDER

Model BC 11 Model BD 22 Model BG 33

When ordering parts, always specify model number, quantity, and description in detail.

Send orders direct to:

Breton Industries, Inc.
10 Leonard Street
Amsterdam, New York

or call: Area Code (518) 374-5329

CANOPY TOP

Model BC 11

<u>Qty.</u>	<u>Description</u>
1	Canopy Cover
2	Front and Rear Frame Member
2	Side Frame Member
2	Front Upright
2	Rear Upright
1	Front Mounting Bracket
2	Rear Mounting Bracket
2	Rear Cross Brace
8	1/2-20 x 3/4" Hex Bolt
2	1/4-20 x 1 1/4" Hex Bolt
2	1/4-20 x 1/2" Hex Bolt
12	1/4-20 Lock Nut
2	5/16-18 x 3/4" Hex Bolt
2	5/16-18 x 1" Hex Bolt
4	Washer
4	5/16-18 Lock Nut

DOUBLE SEAT

Model BD 22

<u>Qty.</u>	<u>Description</u>
2	Arms
1	Seat Back
1	Seat Bottom
8	5/16-18 x 1 1/2" Black Cap Screws
4	5/16-18 x 1 1/2" Plated Cap Screws
4	Leveler Bolts
8	Washers

GOLF BAG HOLDER

Model BG 33

<u>Qty.</u>	<u>Description</u>
1	Bag Rest
1	Tubular Upright
1	Base Box
1	Left Stabber
1	Right Stabber
1	44" Nylon Bearing
3	1/4-20 x 1 1/2" Hex Head Cap Screw
1	1/4-20 x 1 3/4" Hex Head Cap Screw
4	1/4-20 Lock Nut
4	5/16-18 x 3/4" Hex Head Cap Screw
4	5/16-18 Lock Nut

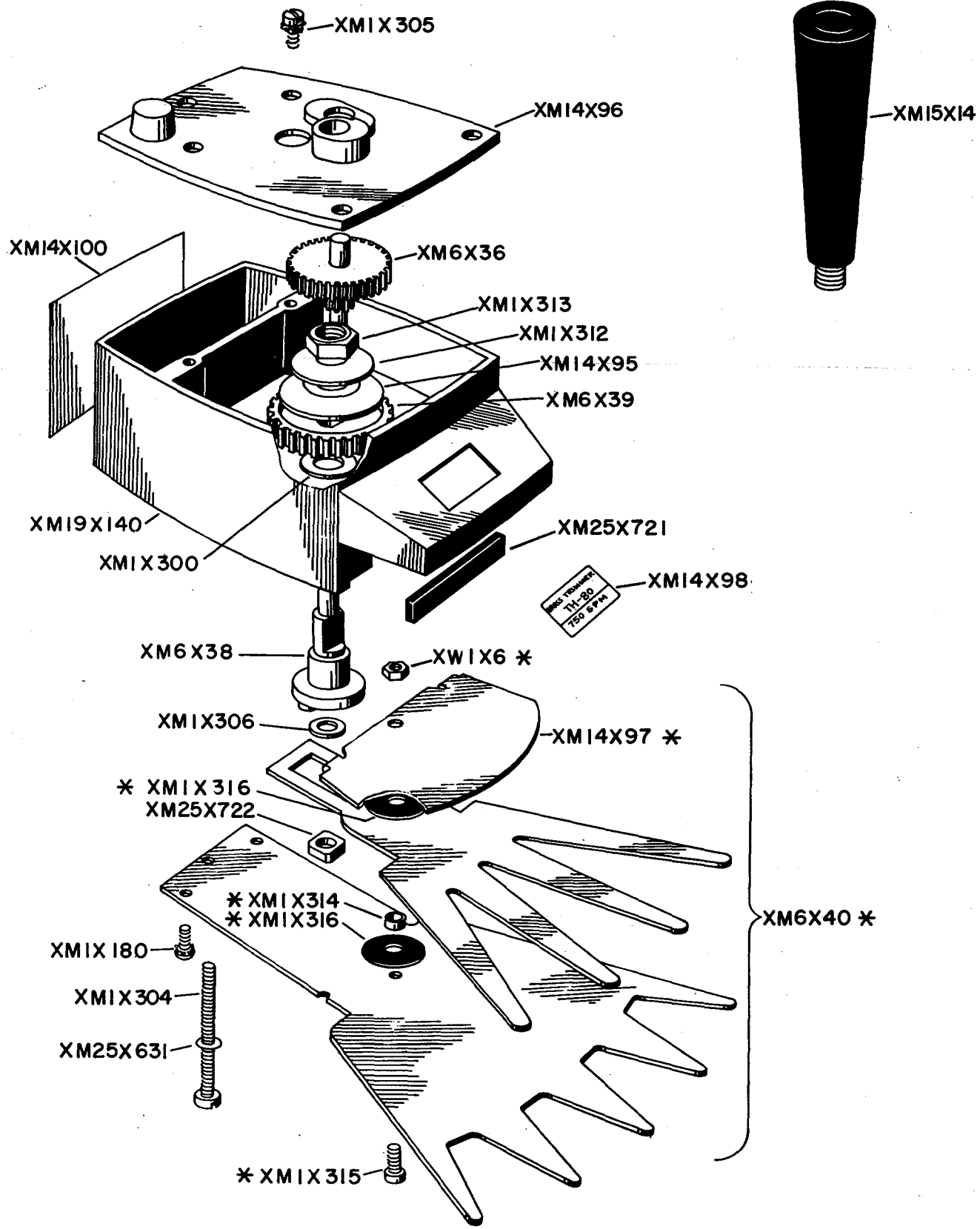
POWER UNIT

Model TM 3

The Model TM 3 POWER UNIT is designed to be used in conjunction with the models TH 20 (1/4" or TH 30 (3/8") drills, TH 70 hedge trimmer and/or the TH 80 grass trimmer to make a complete power tool assembly. It develops 1/3 horsepower, has a die cast aluminum housing, a trigger switch (which can be locked for continuous running) and a 20 foot yellow line cord with an armored locking plug at its end. Arrangement has been made for the attachment of helper handles in three areas or positions. The D1TM3 is approved for use on direct current only and at 36 volts D.C. is rated 7.0 amps.

For spare and renewal parts, contact your nearest General Electric Housewares Service Center; see attachment for address, telephone, etc.

<u>Part No.</u>	<u>Description</u>
XM 1X122	Screw Bearing Cap
XM 1X150	Nut Armature
XM 1X250	Washer, Armature
XM 1X252	Screw, Field
XM 1X254	Nut, Helper Handle
XM 1X255	Screw, Motor Mount (Front)
XM 1X256	Screw, Motor Case (Rear)
XM 1X257	Screw, Motor Case (Handle)
XM 1X258	Screw, Bearing Strap
XM 1X298	Washer, Armature
XM 1X299	Washer, Armature
XM 1X301	Washer, Armature
XM 2X 13	Brush Holder, R.H.
XM 2X 14	Brush Holder, L.H.
XM 2X 34	Brush
XM 3X 54	Spring, Carbon Brush
XM11X 59	Armature
XM14X 72	Escutcheon Plate
XM14X128	Rating Plate
XM17X 52	Power Cord
XM18X 80	Coil, Upper
XM18X 81	Coil, Lower
XM19X126	Case Assembly
XM25X264	Bearing Cap
XM25X625	Oil Wick
XM25X626	Bearing, Rear
XM25X627	Bearing, Front
XM25X628	Bearing Strap
XM25X629	Strain Relief Clip
XM25X706	Switch
XM25X729	Wire, Field Retaining
XM25X905	Plug, Power Cord



* - INCLUDES ALL PARTS IN A COMPLETE ASM.

TH

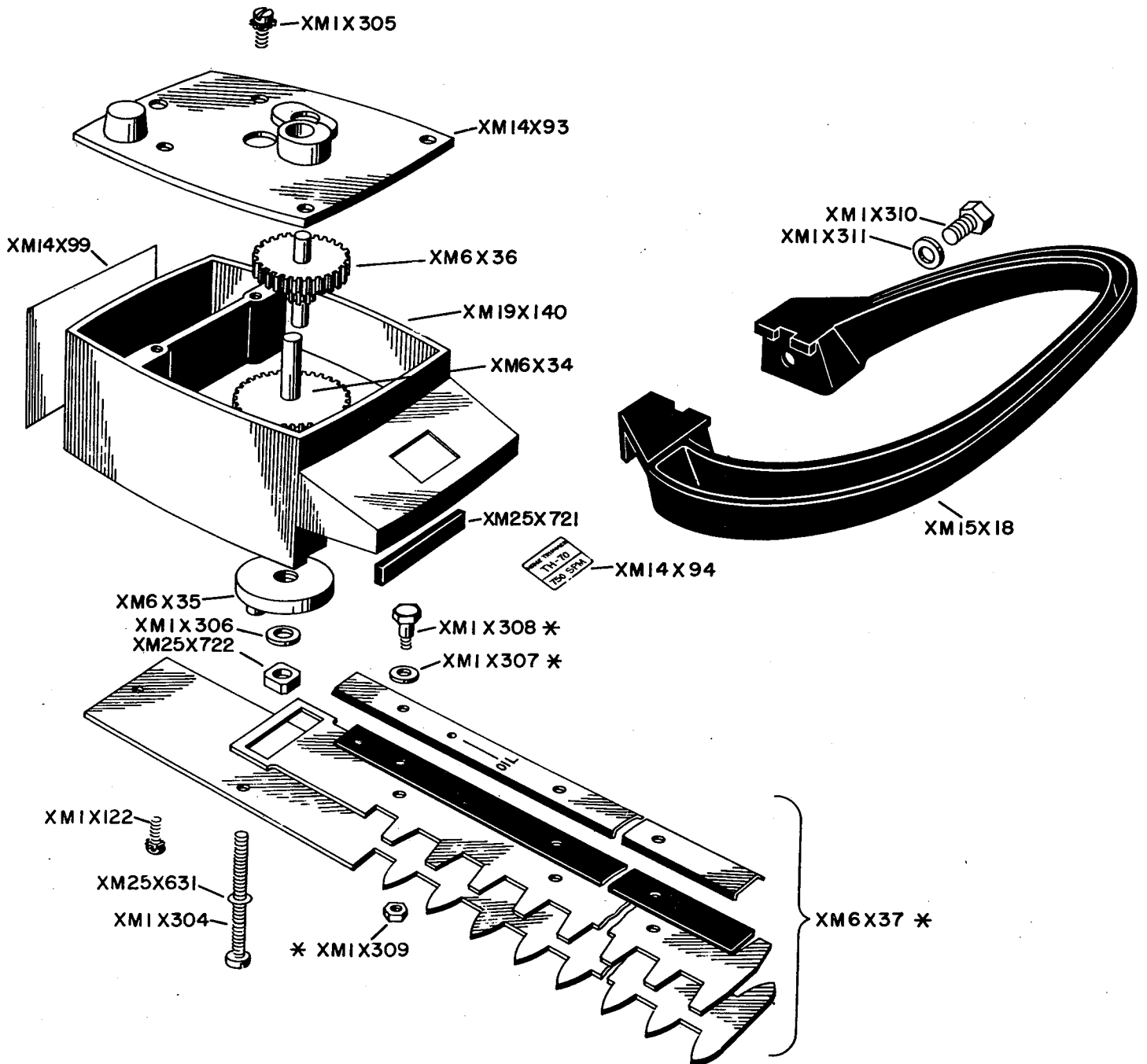
GRASS TRIMMER HEAD

MODEL TH 80

THE MODEL TH 80 GRASS TRIMMER HEAD IS DESIGNED TO OPERATE WITH ANY ONE OF THE GENERAL ELECTRIC POWER UNITS. IT HAS A DIE CAST ALUMINUM HOUSING, A TWO-STAGE REDUCTION GEAR ASSEMBLY AND A SLIP-CLUTCH MECHANISM. THE BLADES ARE SELF-SHARPENING AND BLACK-OXIDE FINISHED. ONE IS STATIONARY WITH FIVE TEETH WHILE THE OTHER IS RECIPROCATING AND HAS FOUR TEETH. THE 17TH80 HAS A CUTTING WIDTH OF 5" AT 750 STROKES PER MINUTE WHEN ATTACHED TO THE POWER UNIT. A HELPER HANDLE IS INCLUDED.

FOR SPARE AND RENEWAL PARTS, CONTACT YOUR NEAREST GENERAL ELECTRIC HOUSEWARES SERVICE CENTER; SEE ATTACHMENT FOR ADDRESS, TELEPHONE, ETC.

<u>PART NO.</u>	<u>DESCRIPTION</u>
XW 1X 6	NUT, BLADE ASSEMBLY
XM 1X180	SCREW, BLADE TO CASE
XM 1X300	WASHER, DRIVE SHAFT
XM 1X304	SCREW, CAPTIVE
XM 1X305	SCREW, INTERMEDIATE PLATE
XM 1X306	SPRING WASHER, DRIVE PLATE
XM 1X312	WASHER, CLUTCH PLATE
XM 1X313	NUT, DRIVE SHAFT
XM 1X314	BUSHING, BLADE ASSEMBLY
XM 1X315	SCREW, BLADE ASSEMBLY
XM 1X316	FELT WASHER, BLADE ASSEMBLY
XM 6X 36	INTERMEDIATE SHAFT ASSEMBLY
XM 6X 38	DRIVE SHAFT ASSEMBLY
XM 6X 39	DRIVE GEAR
XM 6X 40	BLADE ASSEMBLY
XM14X 95	CLUTCH PLATE
XM14X 96	INTERMEDIATE PLATE ASSEMBLY
XM14X 97	BLADE RETAINER
XM14X 98	NAMEPLATE
XM14X100	WARNING LABEL
XM15X 14	HANDLE
XM19X140	CASE ASSEMBLY
XM25X631	RETAINING RING
XM25X721	FELT DIRT SEAL
XM25X722	FOLLOWER



* - INCLUDES ALL PARTS
IN A COMPLETE ASM.

TH

HEDGE TRIMMER HEAD

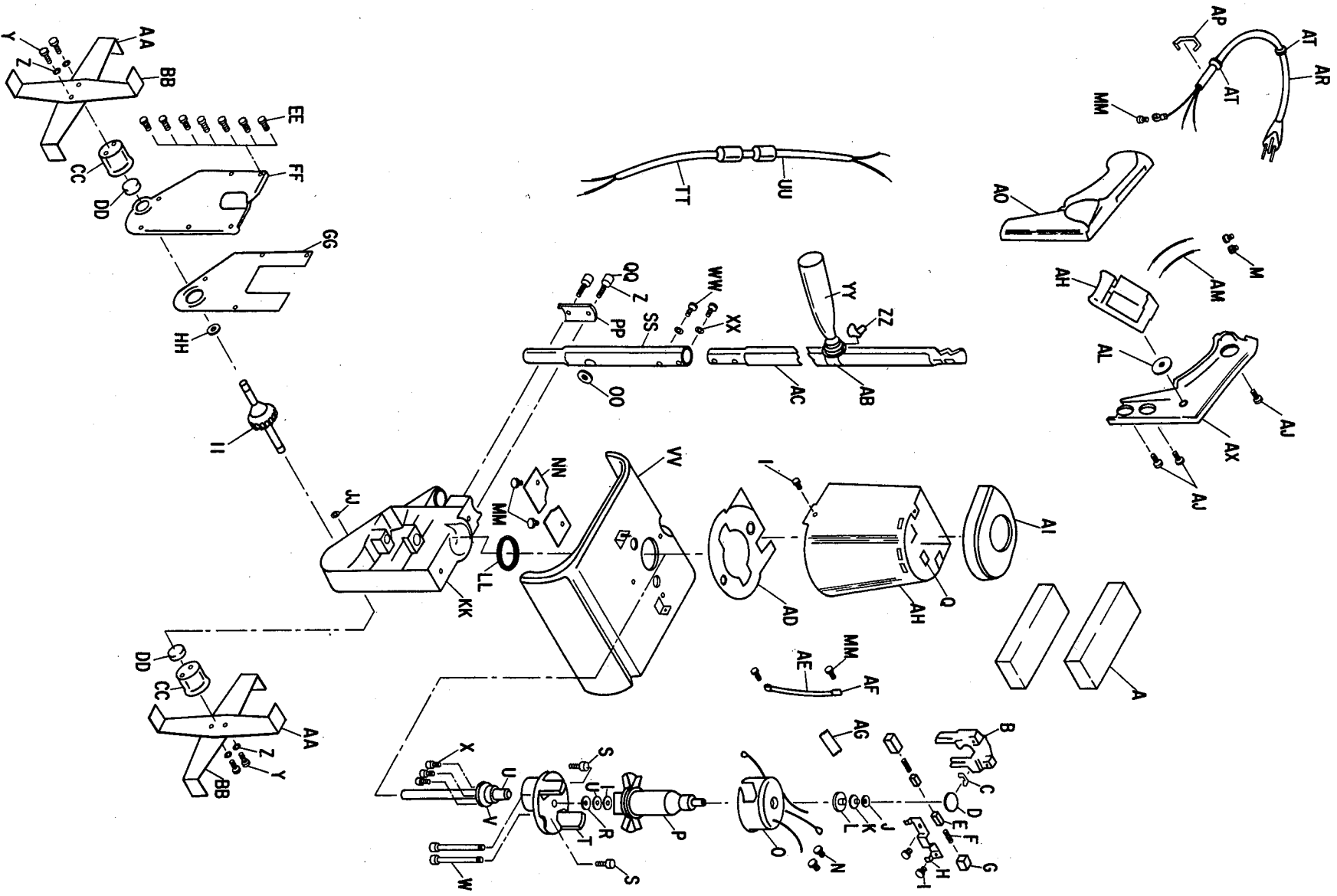
MODEL TH 70

THE MODEL TH 70 HEDGE TRIMMER HEAD IS DESIGNED FOR USE WITH ANY ONE OF THE GENERAL ELECTRIC POWER UNITS. IT HAS A DIE-CAST ALUMINUM HOUSING, A TWO-STAGE REDUCTION GEAR ASSEMBLY, WHICH CAUSES THE BLADES TO OPERATE AT 750 STROKES PER MINUTE. THE BLADES ARE 15" LONG, ARE BLACK-OXIDE FINISHED AND SELF-SHARPENING. A BALE TYPE PLASTIC HANDLE IS INCLUDED.

FOR SPARE AND RENEWAL PARTS, CONTACT YOUR NEAREST GENERAL ELECTRIC HOUSEWARES SERVICE CENTER; SEE ATTACHMENT FOR ADDRESS, TELEPHONE, ETC.

<u>PART NO.</u>	<u>DESCRIPTION</u>
XM 1X122	SCREW, BLADE ASSEMBLY
XM 1X304	SCREW, CAPTIVE
XM 1X305	SCREW, INTERMEDIATE PLATE
XM 1X306	SPRING WASHER, DRIVE PLATE
XM 1X307	SPRING WASHER, BLADE ASSEMBLY
XM 1X308	SCREW, BLADE ASSEMBLY
XM 1X309	LOCKNUT, BLADE ASSEMBLY
XM 1X310	BOLT, HANDLE
XM 1X311	WASHER, HANDLE
XM 6X 34	DRIVE SHAFT ASSEMBLY
XM 6X 35	DRIVE PLATE
XM 6X 36	INTERMEDIATE SHAFT ASSEMBLY
XM 6X 37	BLADE ASSEMBLY
XM14X 93	INTERMEDIATE PLATE ASSEMBLY
XM14X 94	NAMEPLATE
XM14X 99	WARNING PLATE
XM15X 18	HANDLE
XM19X140	CASE ASSEMBLY
XM25X631	RETAINING RING
XM25X721	FELT DIRT SEAL
XM25X722	FOLLOWER

HC



WEEDER CULTIVATOR

Model HC 05

When ordering parts, always include part number, model number, and full description.

Send orders direct to:

Mc Graw Edison
Power Tool Division
Parts and Service Dept.
1501 East Main Street
St. Charles, Illinois 60174

or call: Area Code (312) 584-1750

Minimum order is \$2.00 with terms of net 30 F.O.B. St. Charles, Illinois.

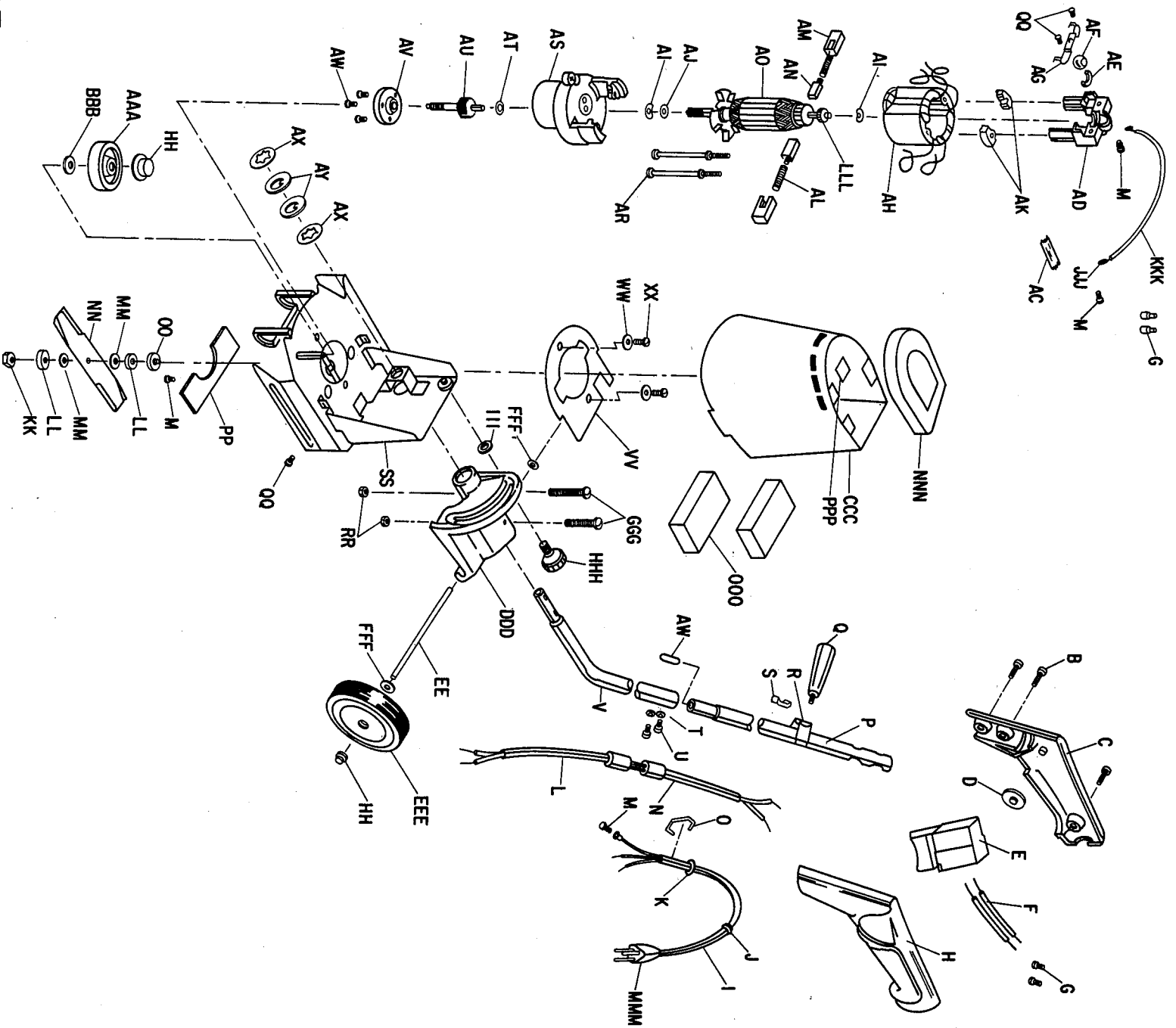
<u>Ref. No.</u>	<u>Ref. Letter</u>	<u>Part No.</u>	<u>Description</u>
HC-1	A	01-01525	Filter
HC-2	B	06-00474	Stator Bracket
HC-3	C	01-00452	Oil Felt
HC-4	D	09-00044	Bronze Bearing
HC-5	E	14-00094	Carbon Brush
HC-6	F	14-00068	Brush Spring
HC-7	G	14-00045	Brush Holder
HC-8	H	27-00054	Spring, Brush Holder & Bearing
HC-9	I	22-00713	Screw
HC-10	J	27-00008	Loading Spring
HC-11	K	17-00313	Fibre Washer
HC-12	L	17-00100	Fibre Washer
HC-13	N	16-00004	Connector
HC-14	O	08-00222	Field Assembly
HC-15	P	07-00217	Armature Assembly
HC-16	Q	22-00586	Speed Nut
HC-17	R	17-00101	Fibre Washer
HC-18	S	22-00158	Screw
HC-19	T	S-06-00478	Gear Box Assembly
HC-20	U	17-00090	Steel Washer
HC-21	V	S-03-00525	Motor Shaft Assembly
HC-22	W	22-00089	Screw
HC-23	X	22-00387	Screw
HC-24	Y	22-00560	Screw
HC-25	Z	17-00181	Lock Washer
HC-26	AA	43-00359	Blade
HC-27	BB	43-00358	Blade
HC-28	CC	06-00910	Adapter
HC-29	DD	17-00208	Washer
HC-30	EE	22-00474	Screw
HC-31	FF	S-06-00476	Cover
HC-32	GG	17-00411	Gasket
HC-33	HH	17-00005	Steel Washer
HC-34	I I	S-01-01528	Drive Shaft
HC-35	JJ	10-00060	Ball
HC-36	KK	S-06-00911	Drive Housing Assembly (Includes Drive Shaft Bearing 9-20 and Motor Shaft Bearing 9-59)
HC-37	LL	17-00304	Felt Washer
HC-38	MM	22-00594	Screw
HC-39	NN	43-00378	Dust Shield
HC-40	PP	43-00398	Clamp
HC-41	QQ	22-00476	Screw
HC-42	RR	06-00909	Adapter



WEEDER CULTIVATOR (Continued)

Model HC 05

<u>Ref. No.</u>	<u>Ref. Letter</u>	<u>Part No.</u>	<u>Description</u>
HC-43	SS	43-00363	Handle, Lower Half
HC-44	TT	11-00090B	Cord Set
HC-45	UU	11-00088B	Cord Set
HC-46	VV	43-00364	Upper Guard
HC-47	WW	22-00616	Screw
HC-48	XX	17-00086	Lock Washer
HC-49	YY	AH-00-00022B	Handle
HC-50	ZZ	43-00394	Bridge
HC-51	AB	43-00400	Strap
HC-52	AC	43-00497	Handle, Upper Half
HC-53	AD	01-00932	Bottom Baffle
HC-54	AG	23-00115	Tape
HC-55	AH	43-00374	Motor Housing
HC-56	AI	05-00948	Cap
HC-57	AJ	22-00676	Screw
HC-58	AK	44-00229	Handle Support
HC-59	AL	28-00095	Rubber Pad
HC-60	AN	18-00253	Switch
HC-61	AO	44-00230	Handle Cover
HC-62	AR	11-00225	Cord Set
HC-63	AS	11-00226	Plug
HC-64	AT	23-00272	Insulator



HE

LAWN EDGER TRIMMER

Model HE 06

When ordering parts, always include part number, model number and full description.

Send orders direct to:

Mc Graw Edison
Power Tool Division
Parts and Service Dept.
1501 East Main Street
St. Charles, Illinois 60174

or call: Area Code (312) 584-1750

Minimum order is \$2.00 with terms of net 30 F.O.B., St. Charles, Illinois.

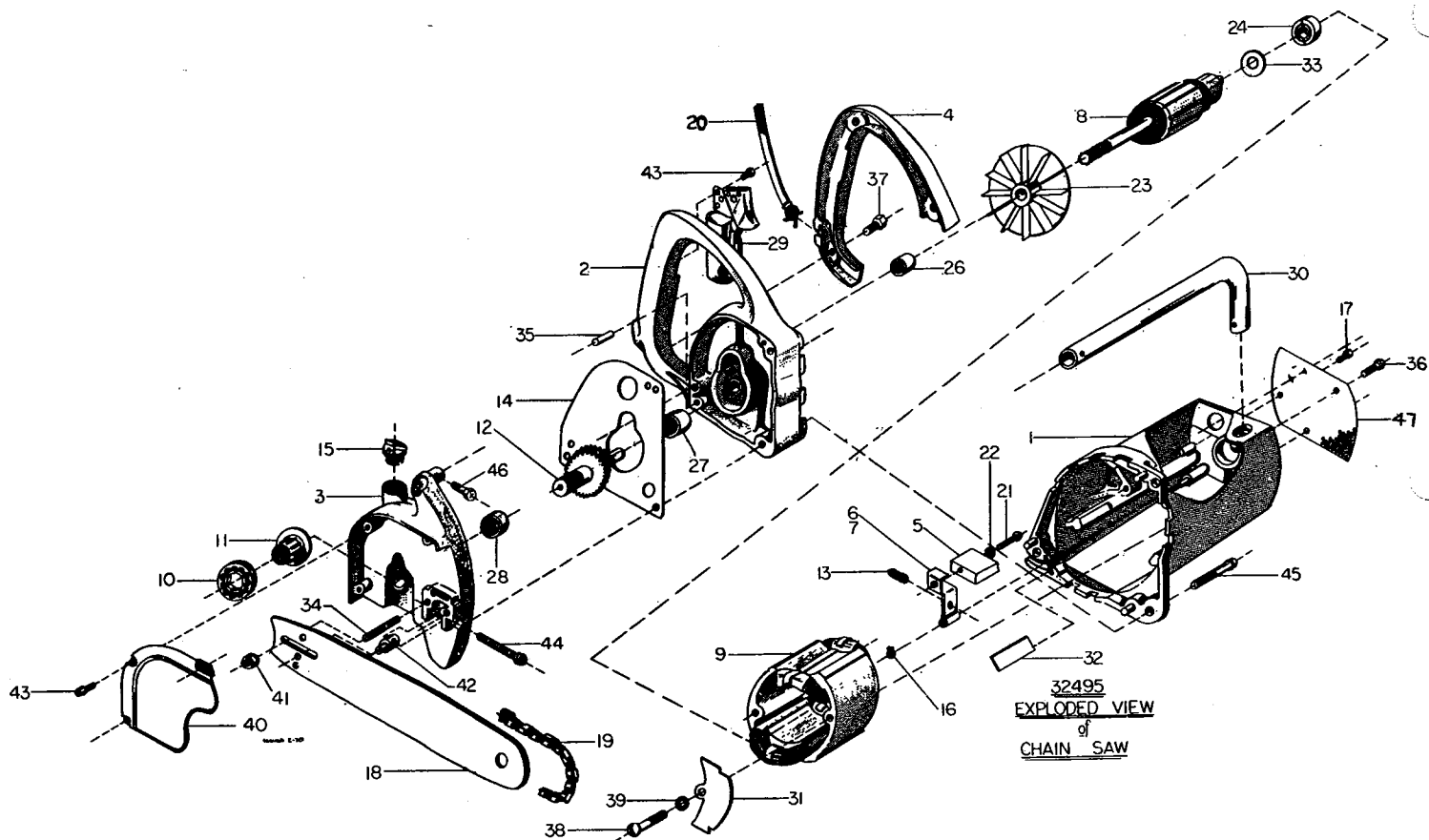
<u>Ref. No.</u>	<u>Ref. Letter</u>	<u>Part No.</u>	<u>Description</u>
HE-1	B	22-00676	Screw, 2 Required
HE-2	C	44-00229-B	Handle, Support Half
HE-3	D	28-00095	Rubber Pad
HE-4	E	18-00135	Switch
HE-5	F	39-00126	Lead Wire
HE-6	G	16-00004	Connector
HE-7	H	44-00230-B	Handle, Cover Half
HE-8	I	11-225	Power Cord
HE-9	J	28-00077	Grommet
HE-10	K	17-00312	Fibre Washer
HE-11	L	11-00089-B	Cord Set, Lower Portion
HE-12	M	22-00594	Ground Screw
HE-13	N	11-00088-B	Cord Set, Upper Portion
HE-14	O	01-00009	Ring
HE-15	P	43-00497-CN	Upper Handle
HE-16	Q	AH-00-00022-B	Auxiliary Handle
HE-17	R	43-00400	Strap
HE-18	S	43-00394	Bridge
HE-19	T	17-00086	Lock Washer
HE-20	U	22-00616	Screw
HE-21	V	43-00562-CN	Lower Handle
HE-22	W	23-00272	Insulator
HE-23	EE	01-01575	Axle
HE-24	HH	22-00781	Push Nut
HE-25	KK	22-00593	Lock Nut
HE-26	LL	17-00317	Clutch Washer
HE-27	MM	17-00266	Brass Washer
HE-28	NN	43-00494-BO	Blade
HE-29	OO	17-00279	Steel Washer
HE-30	PP	43-00341	Dust Shield
HE-31	QQ	22-00594	Screw
HE-32	RR	22-00615	Lock Nut
HE-33	SS	43-486AS	Upper Guard Assembly
HE-34	VV	23-00276	Baffle
HE-35	WW	27-00092	Lock Washer
HE-36	XX	22-00426	Screw
HE-37	AC	23-00115	Tape
HE-38	AD	06-00474	Field Bracket
HE-39	AE	01-00452	Felt Wick
HE-40	AF	09-00044	Bearing
HE-41	AG	27-00054	Brushholder & Bearing Retainer
HE-42	AH	8-222	Field Assembly
HE-43	AI	27-00008	Loading Spring
HE-44	AJ	17-00101	Fibre Washer



LAWN EDGER TRIMMER (Continued)

Model HE 06

<u>Ref. No.</u>	<u>Ref. Letter</u>	<u>Part No.</u>	<u>Description</u>
HE-45	AK	44-00297	Spacer
HE-46	AL	14-00068	Brush Spring
HE-47	AM	14-00045	Brushholder
HE-48	AN	14-00046	Brush
HE-49	AO	7-217	Armature Assembly
HE-50	AR	22-00811	Screw
HE-51	AS	S6-1007	Gear Box Assembly
HE-52	AT	17-00090	Steel Washer
HE-53	AU	S-02-00294	Spindle Shaft Assembly
HE-54	AV	09-00101	Bearing
HE-55	AW	23-00272	Insulator
HE-56	AX	01-00931	Retaining Ring
HE-57	AY	17-00301	Washer
HE-58	AAA	44-00227	Roller
HE-59	BBB	17-00290	Washer
HE-60	CCC	43-368AR	Motor Housing
HE-61	DDD	6-1011AR	Wheel Bracket
HE-62	EEE	44-00264	Wheel
HE-63	FFF	17-00194	Washer
HE-64	GGG	22-00822	Screw
HE-65	HHH	AH-00-00037-B	Knob
HE-66	III	17-00421	Spacer
HE-67	JJJ	16-00021	Terminal
HE-68	KKK	13-00020	Lead
HE-69	LLL	17-00100	Washer
HE-70	MMM	11-226	Plug
HE-71	NNN	5-948-AS	End Cap
HE-72	OOO	1-1525	Filter
HE-73	PPP	22-586	Speed Nut



32495
EXPLODED VIEW
of
CHAIN SAW

HS

CHAIN SAW

Model HS-13

When ordering parts, always specify the quantity, model number, part number and description.

Send orders direct to:

Generac Corporation
P. O. Box 8
Waukesha, Wisconsin

or call: Area Code (414) 968-3101

There is a minimum order of \$5.00 with terms of 1% 10 days, net 30 F.O.B. Waukesha.

<u>Ref. No.</u>	<u>Part No.</u>	<u>Description</u>
HS-1	32461	Motor Housing
HS-2	32463	Center Section
HS-3	32465	Front Housing
HS-4	32467	Handle
HS-5	32476	Brush
HS-6	32475	Brush Holder R. H.
HS-7	32474	Brush Holder L. H.
HS-8	32346	Armature
HS-9	32347	Field Assembly
HS-10	32480	Sprocket
HS-11	32483	Drive Hub
HS-12	32655	Idler Shaft Assembly
HS-13	32487	Brush Holder Spring
HS-14	32468	Gasket
HS-15	32479	Oil Fill Cap
HS-16	32491	Snap Ring
HS-17	22774	No. 8 Sheet Metal Sc.
HS-18	32477	Chain Bar - 13"
HS-19	32478	Chain - 13"
HS-20	32489	Cord Assembly
HS-21	26713	No. 6-32 x 1-1/8 Brass Sc.
HS-22	23636	No. 6 Brass-Shakeproof
HS-23	25174	Fan
HS-24	25177	Bearing
HS-25	32493	Relay & Box Assy (Not Shown)
HS-26	25229	Bronze Bearing
HS-27	25230	Bronze Bearing
HS-28	25231	Bronze Bearing
HS-29	25238	Switch
HS-30	26277	Tubular Handle
HS-31	26796	Air Deflection
HS-32	26849	Wire Hold Down Tab
HS-33	27139	Bearing Spacer
HS-34	25751	Stud
HS-35	22104	Dowel Pin
HS-36	24611	No. 10-32 x 1" Taptite
HS-37	24679	No. 10-32 x 3/4" Taptite
HS-38	22151	No. 10-32 x 2 1/2" RHMS
HS-39	22769	No. 10 Shakeproof
HS-40	32500	Chain Guard
HS-41	32499	5/16-24 Flanged Hex Nut
HS-42	32486	Adjusting Nut
HS-43	26902	No. 8-32 x 1/4 Taptite
HS-44	28409	Socket Head Screw
HS-45	27117	1/4 - 2" Taptite
HS-46	24489	No. 10-32 x 3/8" Taptite
HS-47	32482	Rear Screen
HS-48	34919	Retainer

GENERAL ELECTRIC HOUSEWARES SERVICE CENTERS

NORTH ATLANTIC

Pennsauken, N.J.	08101	7100 Airport Hwy.	F. A. Frumento	(665-0440)
Baltimore, Md.	21234	6910 Harford Road	C. J. Cabral	(444-6600)
Boston, Mass.	02134	215 Brighton Avenue	N. D. Garant	(782-7511)
Bridgeport, Conn.	06610	2126 Boston Ave.	C. A. Clark	(335-3105)
Brooklyn, N.Y.	11201	38 Bond St.	R. E. Pandolfi	(852-0011)
Broomall, Pa.	19008	700 Parkway So., Lawrence Indl. Park	J. P. Sullivan	(353-3836)
Latham, N.Y.	12110	7 Herbert Drive So.	J. E. Plunkett	(785-5186)
New York, N.Y.	10017	Grand Central Terminal	W. F. Braidic	(689-6343)
Philadelphia, Pa.	19149	2010 Levick Street	R. R. Filoso	(288-4700)
Pittsburg, Pa.	15224	4319 Penn Avenue	M. R. LaRue	(621-5334)
Reading, Mass.	01867	100 Main Street	R. F. Welch	(944-6770)
Washington, D. C.	20007	1805 Wisconsin Ave., N.W.	G. Collini	(234-7404)
Yonkers, N.Y.	10704	5 Xavier Dr. (Cross Co. Shop. Ctr.)	A. Barbieri	(476-8400)

SOUTHEAST

Atlanta, Ga.	30318	1777 Ellsworth Ind. Dr., N.W.	J. L. Lipham	(355-3480)
Memphis, Tenn.	38103	669 Madison Avenue	M. P. Williams	(525-6789)
Miami, Fla.	33145	2151 S. W. 27th Avenue	W. H. Payne	(443-2543)
Nashville, Tenn.	37206	508 Main Street	R. C. Pigg	(244-7424)
Norfolk, Va.	23502	4552 East Princess Anne Road	H. A. Spiva	(855-3171)
Richmond, Va.	23230	4011 W. Broad Street	R. J. Shiembob	(353-5508)
Tampa, Fla.	33609	3602 W. Kennedy Blvd.	L. A. Gilbert	(877-6001)

MIDWESTERN

Chicago, Ill.	60641	Cor. Kilbourn & Milwaukee Aves.	R. P. Russe	(282-2110)
Cleveland, Ohio	44114	1435 E. 17th St.	N. G. Oriold	(241-5414)
Columbus, Ohio	43222	479 W. Broad Street	R. J. Misunas	(224-4118)
Detroit, Mich.	48227	13300 Puritan Avenue	D. H. Baughman	(342-6151)
Evanston, Ill.	60201	1567 Sherman Avenue	M. J. Marcanto	(328-9310)
Hammond, Ind.	46324	7324 Indianapolis Blvd.	J. R. Metteal	(845-2200)
Indianapolis, Ind.	46202	1827 N. Meridian Street	R. Schoomer	(924-1386)
Milwaukee, Wisc.	53218	6106 W. Fond Du Lac Avenue	S. J. Auerbach	(464-0950)
Omaha, Nebr.	68131	3724 Farnam Street	L. P. Wattenbarger	(341-3620)
St. Louis, Mo.	63139	2355 Hampton Avenue	F. L. Coonce	(647-6016)
St. Paul, Minn.	55114	2225 University Avenue	R. L. Butler	(645-9371)

SOUTHWEST

Dallas, Texas	75207	961 Dragon Street (Serv. Distr. Ctr.)	V. P. Platt	(742-7121)
Denver, Colo.	80204	975 Federal Blvd.	D. A. Hightower	(255-4616)
El Paso, Texas	79925	6591 Montana Street	B. L. Rosenbaum	(772-3256)
Houston, Texas	77027	2930 Hillcroft Avenue	R. C. Elliott	(785-5536)
Kansas City, Mo.	64108	2619 McGee Trafficway	B. R. Hall	(842-6690)
Metairie, La.	70002	3300 No. Causeway Blvd.	W. W. Parrie	(834-9080)
Oklahoma City, Okla.	73106	719 No. Virginia Avenue	G. J. Goggans	(236-4581)
San Antonio, Texas	78212	1902 McCullough Avenue	T. O. King	(733-9127)

WESTERN

San Jose, Calif.	95112	1727 North First Street	T. E. Gathier	(298-4203)
Long Beach, Calif.	90804	E. Pacific Coast Hwy.	W. G. Paine	(597-4301)
Los Angeles, Calif.	90057	2800 Beverly Blvd.	C. W. Benshoof	(385-3044)
Oakland, Calif.	94606	1045 E. 12th Street	R. A. Hoffer	(451-6642)
Pasadena, Calif.	91107	3486 East Foothill Blvd.	R. E. Turek	(792-7153)
Phoenix, Ariz.	85006	1733 E. McDowell Road	J. D. Wiley	(252-7663)
Portland, Ore.	97214	2137 E. Burnside Street	G. E. Barlow	(235-6682)
Sacramento, Calif.	95815	1785 Arden Way (Arden Fair Shop. Ctr.)	F. W. Ryman	(927-2246)
San Diego, Calif.	92108	1990 Camino Del Rio, No.	J. M. Winfrey	(291-2220)
San Francisco, Calif.	94103	1090 Bryant Street	P. Krakowski	(863-8921)
Seattle, Wash.	98121	2905 Third Avenue	H. E. Taft	(624-3171)

MOWER MOTOR REPLACEMENT PARTS

For 3 3/8 Inch Dia. Motors

<u>Ref. No.</u>	<u>Part No.</u>	<u>Description</u>
1	243A4736P6	Bearing, Commutator End
2	243A4736P7	Bearing, Drive End
3	243A4736P5	Brush Asm.
4	243A4673P1	Brush Spring
5	243A4736P4	Cover Asm.
6	See Note 1	Drive End Shield + Shell Asm.
7	See Note 1	Commutator End Shield
8	See Note 1	Armature
9	See Note 1	Clamp Screw
10	See Note 1	End Play Kit

Note 1: These parts are not stocked.

For 4 1/2 Inch Dia. Motors

1	244A7329P5	Bearing, Commutator End
2	244A7329P4	Bearing, Drive End
3	244A7329P7	Brush Asm.
4	See Note 1	Cover Asm.
5	See Note 1	Drive End Shield
6	See Note 1	Commutator End Shield
7	See Note 1	Shell Asm.
8	See Note 1	Armature
9	See Note 1	Clamp Screw
10	See Note 1	Wave Washer

Note 1: These parts are not stocked.

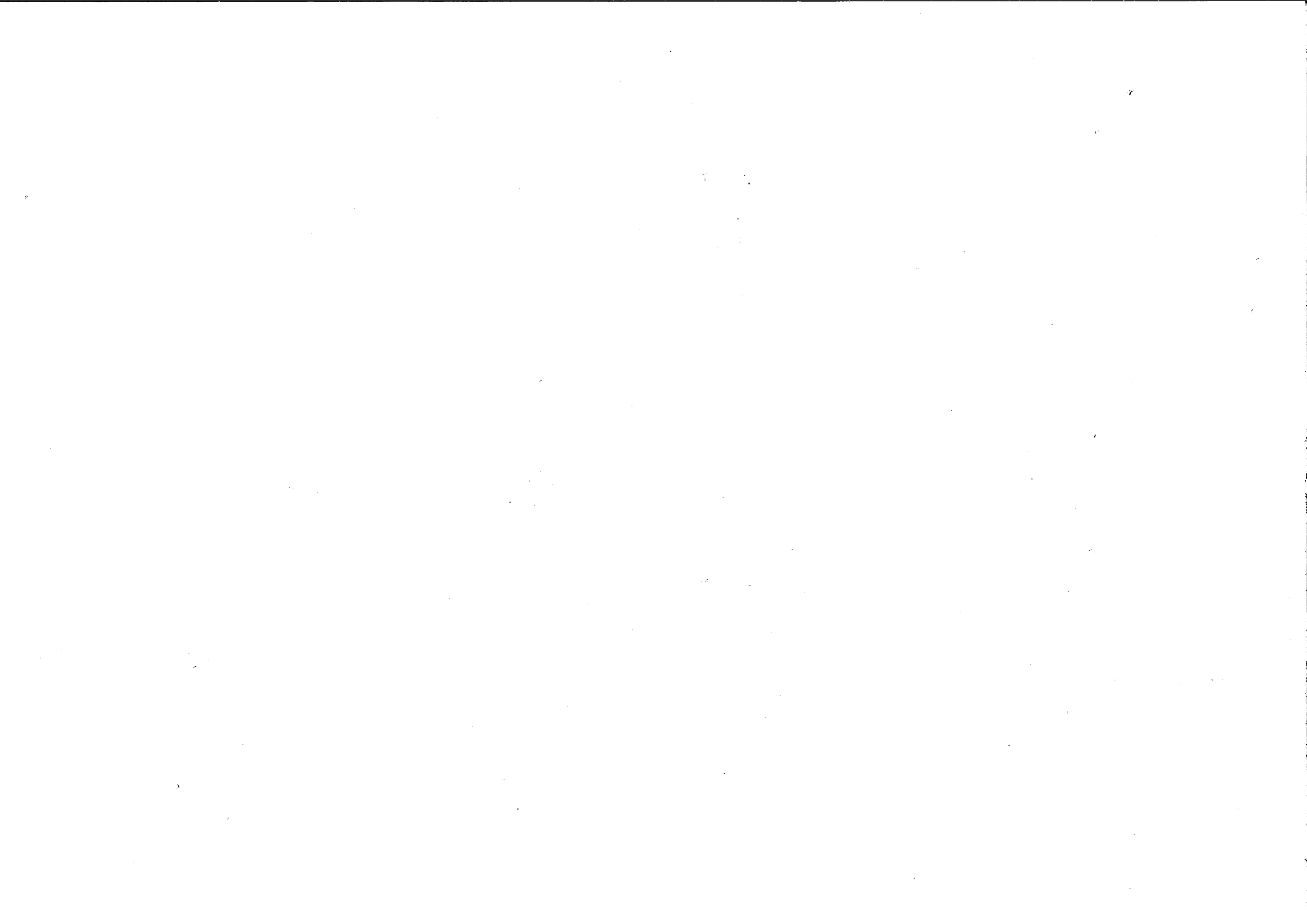


TABLE OF CONTENTS

FIGURE

TITLE

S-1

Large Frame Steering

S-2

Small Frame Steering

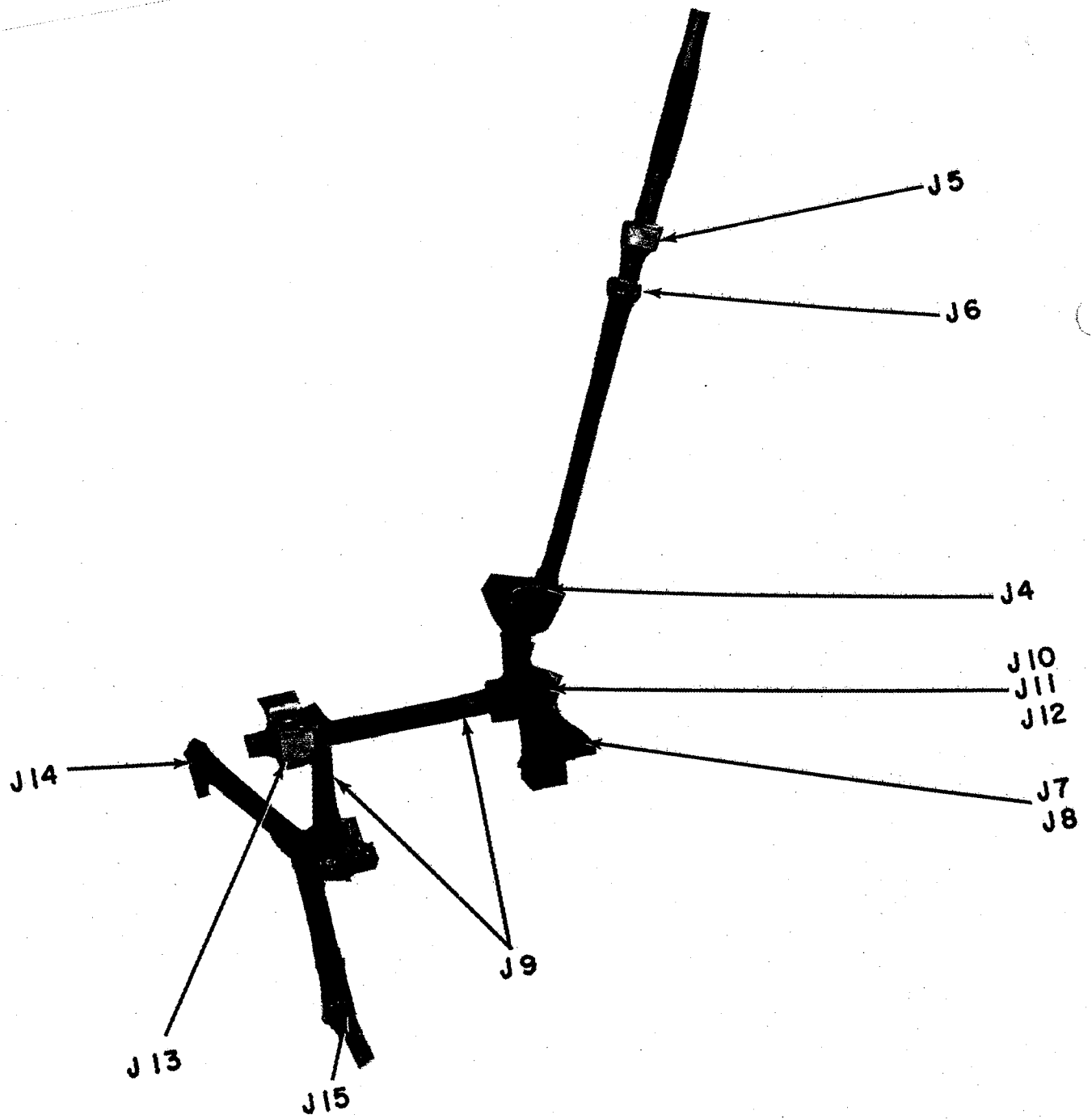


Fig. S-1

LARGE FRAME STEERING

<u>Ref. No.</u>	<u>Part No.</u>	<u>Description</u>
J-1	423D255P1	Steering Wheel (E20, E15)
J-1+	163B9843P1	Steering Wheel (E15, E12s, E12)
J-1	127D8023P1	Steering Wheel (E12M)
J-2	243A4828G1	Cap & Monogram Asm. (Goes with 423D255P1 Steering Wheel)
J-2	243A4853G1	Cap & Monogram Asm. (Goes with 163B9843P1 Steering Wheel)
J-2	243A4828G2	Cap & Monogram Asm. (Goes with Steering Wheel 127D8023P1)
J-3	N533P2520	Dowel Pin (1/4 x 1 1/4 Not Pictured)
J-3	N533P2516	Dowel Pin (1/4 x 1 Not Pictured)
J-4	211A3416G2	Steering Shaft & Pinion (5/8")
J-4	211A3416G1	Steering Shaft & Pinion (3/4")
J-5	211A3101P2	Bearing Steering (5/8")
J-5	211A3101P1	Bearing Steering (3/4")
J-6	243A4547P2	Set Collar (5/8")
J-6	243A4547P1	Set Collar (3/4")
J-7	541C902P1	Mounting Bracket
J-8	243A4590P1	Bearing (In Mounting Bracket)
J-9	542C898G1	Gear & Sector Asm.
J-9	542C898G3	Gear & Sector Asm. (E12M Only)
J-10	N402AP18B6	Washer
J-11	243A4613P1	Shim Washer
J-12	N503P1220B6	Cotter Pin
J-13	243A4561P1	Bearing
J-14	541C950P1	Tie Rod & Ball Joint - R. H.
J-15	541C950P2	Tie Rod & Ball Joint - L. H.
J-16#	178B8032G1	Front Axle - Fabricated
J-17#	211A3595P1	Spindle Left (Hardened)
J-18#	211A3595P2	Spindle Right (Hardened)
J-19	N922P75C6	Snap Ring
J-20	243A4587P1	Thrust Washer
J-21	243A4867P1	Grease Fitting (Fab Axle)
J-21	243A4609P1	Grease Fitting (Cast Axle)

Tractors supplied with a cast axle that requires replacement should be replaced with an interchangeable fabricated axle, however, new hardened spindles J-17 and J-18 should also be ordered as the present spindles (Unhardened) are not interchangeable.

+ This model tractor is equipped with both 12 7/8 dia. steering wheel (J-1) and 14 7/8 dia. steering wheel (J-1+). Please take care to note which one you have when ordering replacement parts.

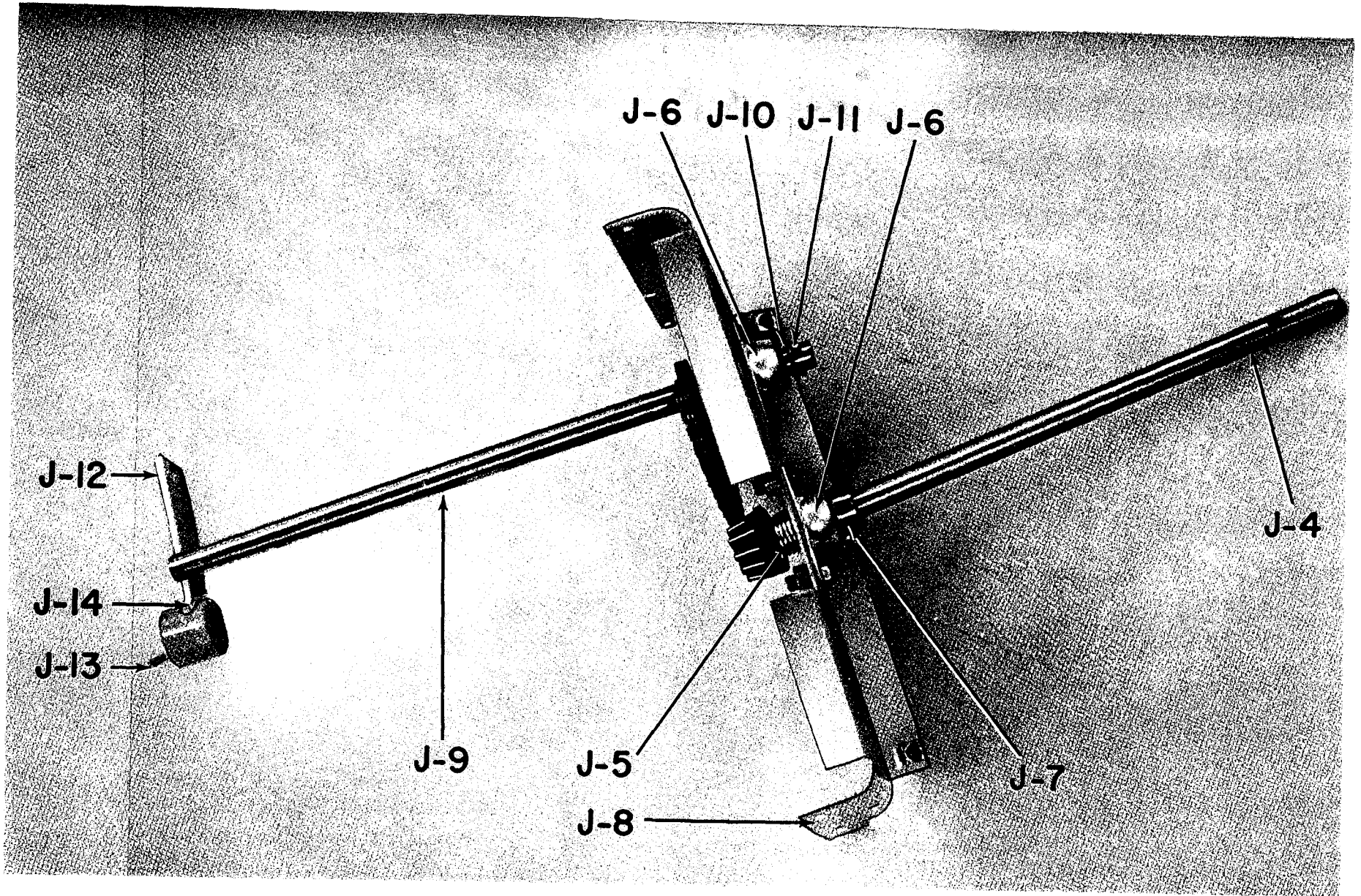


Fig. S-2

SMALL FRAME STEERING

<u>Ref. No.</u>	<u>Part No.</u>	<u>Description</u>
J-1	127D8023P1	Steering Wheel (Not Pictured)
J-2	243A4828G2	Cap and Monogram Asm. (Not Pictured)
J-3	N533P2520	Spring Dowel Pin, Steering Wheel (1/4 x 1 1/4 - Not Pictured)
J-4	244A7176G2	Shaft and Pinion Assembly
J-5	211A3577P16	Spring
J-6	211A3101P2	Bearing
J-7	243A4547P2	Set Collar
J-8	155C8141P1	Steering Shaft Support
J-9	244A7175G1	Shaft and Segment Assembly (All Models Except E10DA)
J-9	247A7372G1	Shaft and Segment Assembly (E10DA Only)
J-10	244A7322P1	Washer
J-11	N533P1616	Spring Dowel Pin
J-12	244A7183G1	Steering Arm Asm. (All Model Except E10DA)
J-12	178B8402G1	Steering Arm Asm. (E10DA Only)
J-13	N3400P405	Key (1/8 x 5/8 Woodruff) (Except E10DA)
J-13	N533P2524	Spring Dowel Pin (E10DA Only)
J-14	N72P2108B6	Set Screw (1/4-20 x 1/2) (Not Used on E10DA Model)
J-15	243A4550P17	Spacer (Not Shown, Located on Top of Shaft J-9)

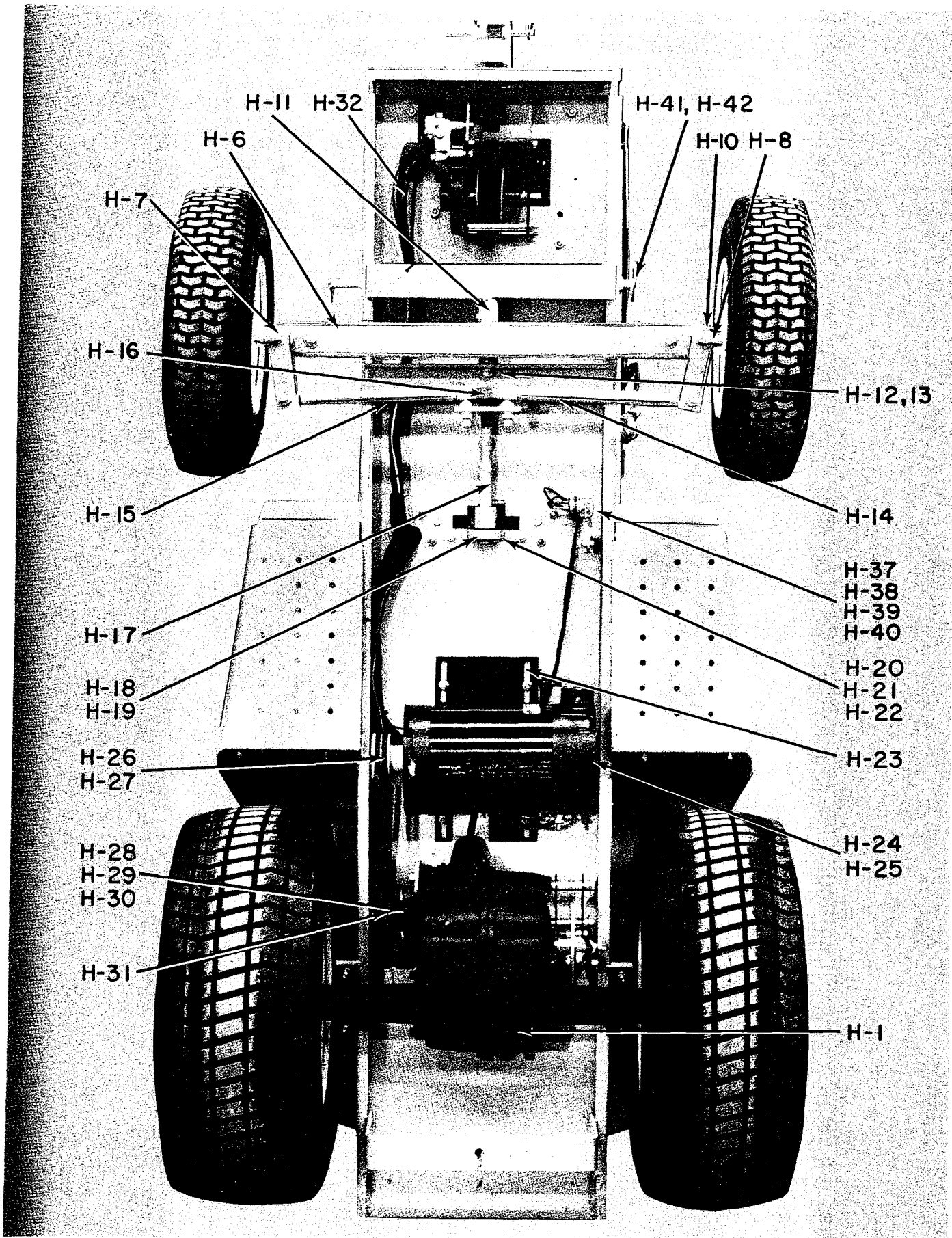
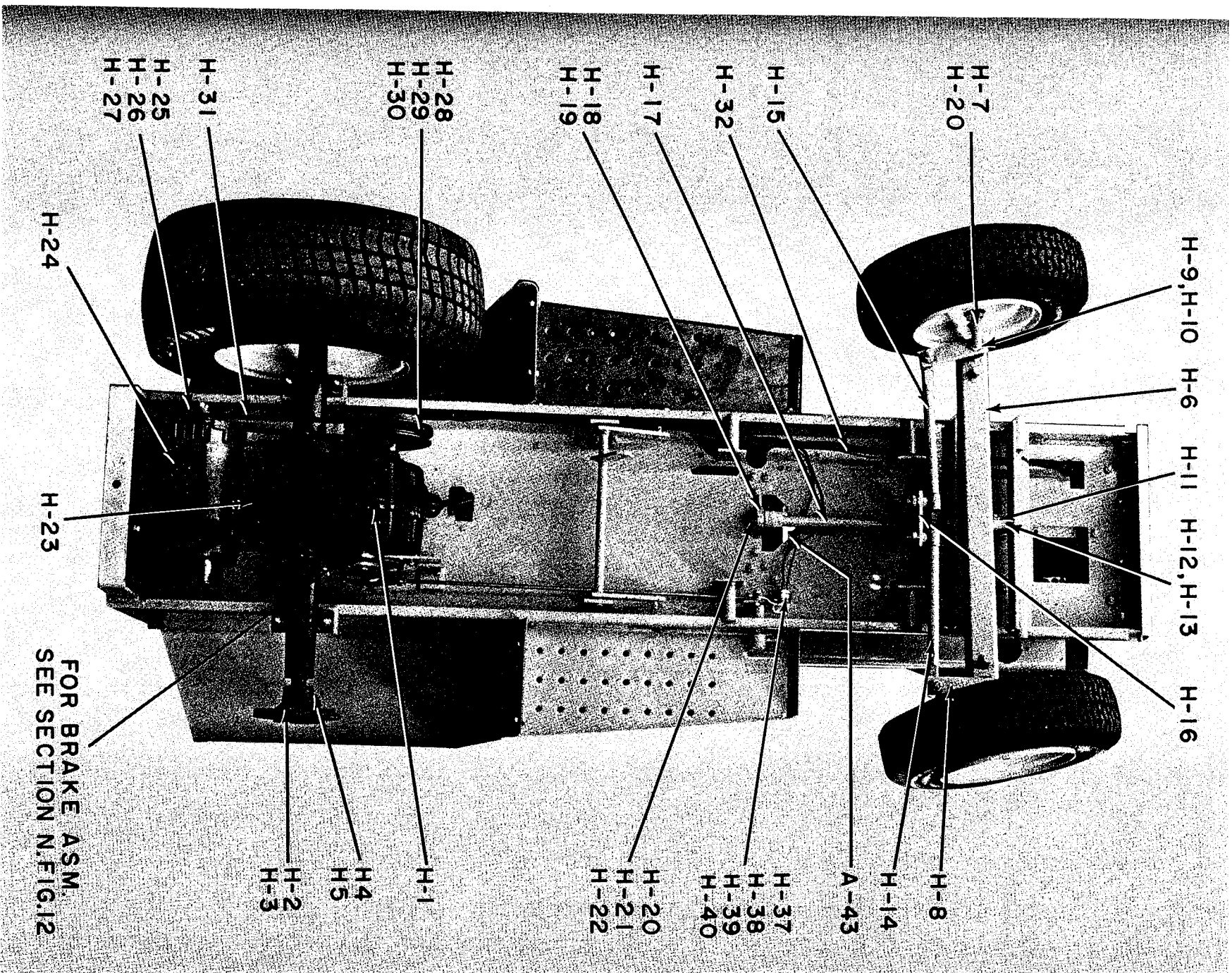


Fig. U-1



H-9,H-10 H-6 H-11 H-12,H-13 H-16

H-7
H-20

H-15
H-32

H-17
H-18
H-19

H-28
H-29
H-30

H-31
H-25
H-26
H-27

H-8
H-14
A-43

H-37
H-38
H-39
H-40

H-20
H-21
H-22

H-1
H-4
H-5
H-2
H-3

H-24
H-23

FOR BRAKE ASM.
SEE SECTION N.FIG.12

Fig. U-2

UNDERCARRIAGE COMPONENTS

<u>Ref. No.</u>	<u>Part No.</u>	<u>Description</u>
H-1	422D818P1	Transaxle (E20, E15, E12s, E12)
H-1	127D8001P1	Transaxle (E12M Only)
H-2	211A3107P1	Hub, Painted (See E12M Detail)
H-3	N3400P809	Key (1/4 x 1/8) (See E12M for Detail)
H-4	N72P2316C6	Set Screw (5/16-18 x 1) (See E12M for Detail)
H-5	N213P23B6	Jam Nut (5/16-18) (See E12M for Detail)
H-6*	541C685P1	Front Axle, Cast (No Longer Available)
H-6*	178B8032G1	Front Axle, Fabricated
H-7	211A3595P1	Spindle, Left (Hardened)
H-8	211A3595P2	Spindle, Right (Hardened)
H-9	N922P75C6	Snap Ring (Located on Spindle)
H-10	243A4587P1	Thrust Washer (Located on Spindle)
H-11	243A4609P1	Grease Fitting (Cast Axle)
H-11	243A4867P1	Grease Fitting (Fab Axle)
H-12	244A7416P1	Pivot Pin
H-13	N533P1316	Roll Pin (1/8 x 1)
H-13	N922P62C6	Snap Ring (Used on Pivot Pin)
H-14	541C950P1	Tie Rod and Ball Joint (R.H.)
H-15	541C950P2	Tie Rod and Ball Joint (L.H.)
H-16	243A4561P1	Bearing
H-17	542C898G1	Gear and Sector Assembly (E20, E15, E12s, E12)
H-17	542C898G3	Gear and Sector Assembly (E12M Only)
H-18	541C902P1	Mounting Bracket
H-19	243A4590P1	Bearing (In Mounting Bracket)
H-20	N402AP18B6	Plain Washer
H-21	243A4613P1	Shim Washer
H-22	N503P1220B6	Cotter Pin
H-23	541C915P2	Motor Plate (E20)
H-23	541C915P1	Motor Plate (E15, E12s, E12)
H-23	155C8083P1	Motor Plate (E12M Only)
H-23	155C8151P1	Motor Plate (E12JA)
H-24	163B9862P1	Drive Motor (E15, E12s)
H-24	163B9996P1	Drive Motor (E20)
H-24	178B8034P1	Drive Motor (E12, E12M, Except E12JA)
H-24	163B9991P1	Motor (E12JA)
H-25	211A3244P1	Drive Motor Circuit Breaker (E15, E12s)
H-25	243A4859P1	Drive Motor Circuit Breaker (E20)
H-26	243A4785P1	Drive Motor Pulley (E20)
H-26	211A3254P1	Drive Motor Pulley (E15)
H-26	243A4675P5	Drive Motor Pulley (E12, E12M)
H-26	243A4675P2	Drive Motor Pulley (E12s)
H-27	N70P2312B6	Set Screw (5/16-18 x 3/4)
H-27	N22P2310B6	Set Screw (5/16-18 x 5/8)
H-28	163B9877P1	Transaxle Pulley
H-29	N70P2312B6	Set Screw (5/16-18 x 3/4)
H-30	N3400P606	Key (3/16 x 3/4) Woodruff)
H-31	211A3226P4	Drive Belt (Pair) (E20, E15)
H-31	211A3226P2	Drive Belt (E12s)
H-31	211A3226P5	Drive Belt (E12)
H-31	211A3226P10	Drive Belt (E12M)
H-32		Undercarriage Harness
H-32	423D215G1	Undercarriage Harness (E15AA)
H-32	423D234G1	Undercarriage Harness (E15BA, CA, CB, DA)
H-32	127D8011G1	Undercarriage Harness (E15EA, FA)
H-32	127D8071G1	Undercarriage Harness (E15GA)
H-32	127D8097G1	Undercarriage Harness (E15HA)
H-32	423D275G1	Undercarriage Harness (E20AA, E20BA, E20CA)

UNDERCARRIAGE COMPONENTS (Cont'd)

<u>Ref. No.</u>	<u>Part No.</u>	<u>Description</u>
H-32	127D8105G1	Undercarriage Harness (E20DA)
H-32	127D8099G1	Undercarriage Harness (E20EA)
H-32	423D234G1	Undercarriage Harness (E12BA) (E12s)
H-32	423D234G2	Undercarriage Harness (E12AA) (E12s)
H-32	423D228G1	Undercarriage Harness (E12CA, E12DA)
H-32	127D8059G1	Undercarriage Harness (E12GA)
H-32	127D8074G1	Undercarriage Harness (E12HA)
H-32	127D8100G1	Undercarriage Harness (E12JA)
H-32	127D8003G1	Undercarriage Harness (E12EA) (E12M)
H-33	243A4540P2	Cable Tie
H-34	211A3532P1	Boot (E20, E15, E12s, E12)
H-35	211A3532P2	Boot (E20, E15, E12s, E12)
H-35	211A3532P4	Boot (E12M)
H-36	211A3532P3	Boot (E20, E15, E12s, E12, E12M)
H-37	211A3481P1	Brake Switch (E20, E15, E12s, E12)
H-37	244A7131P1	Brake Switch (E12M)
H-38	243A4585P1	Mounting Base (Brake Switch)
H-39	211A3504P1	Shoulder Screw (E20, E15, E12s, E12)
H-39	N657P21024B6	Carriage Bolt (1/4-20 x 1 1/2) E12M
H-40	N264P21B6	Locknut, Hex
H-41	211A3505P2	Clevis Pin (E20, E15, E12s, E12)
H-41	243A4550P1	Spacer (E12M)
H-42	211A3256P2	Hairpin Cotter (E20, E15, E12s, E12)
H-42	244D7177P1	Shim, Motor Plate (E12M)
H-43	244A7163P1	Cable Clip (E20, E15, E12s, E12, E12M)
H-44	N402AP18B6	Washer (Spindle)
H-45	N3402P6036	Key, Drive Motor (3/16 x 1 1/8)

* Tractors supplied with a cast axle that requires replacement should be replaced with an interchangeable fabricated axle, however, new hardened spindles H-7 and H-8 should also be ordered as the present spindles (Unhardened) are not interchangeable.

TABLE OF CONTENTS

FIGURE

FB-1

TITLE

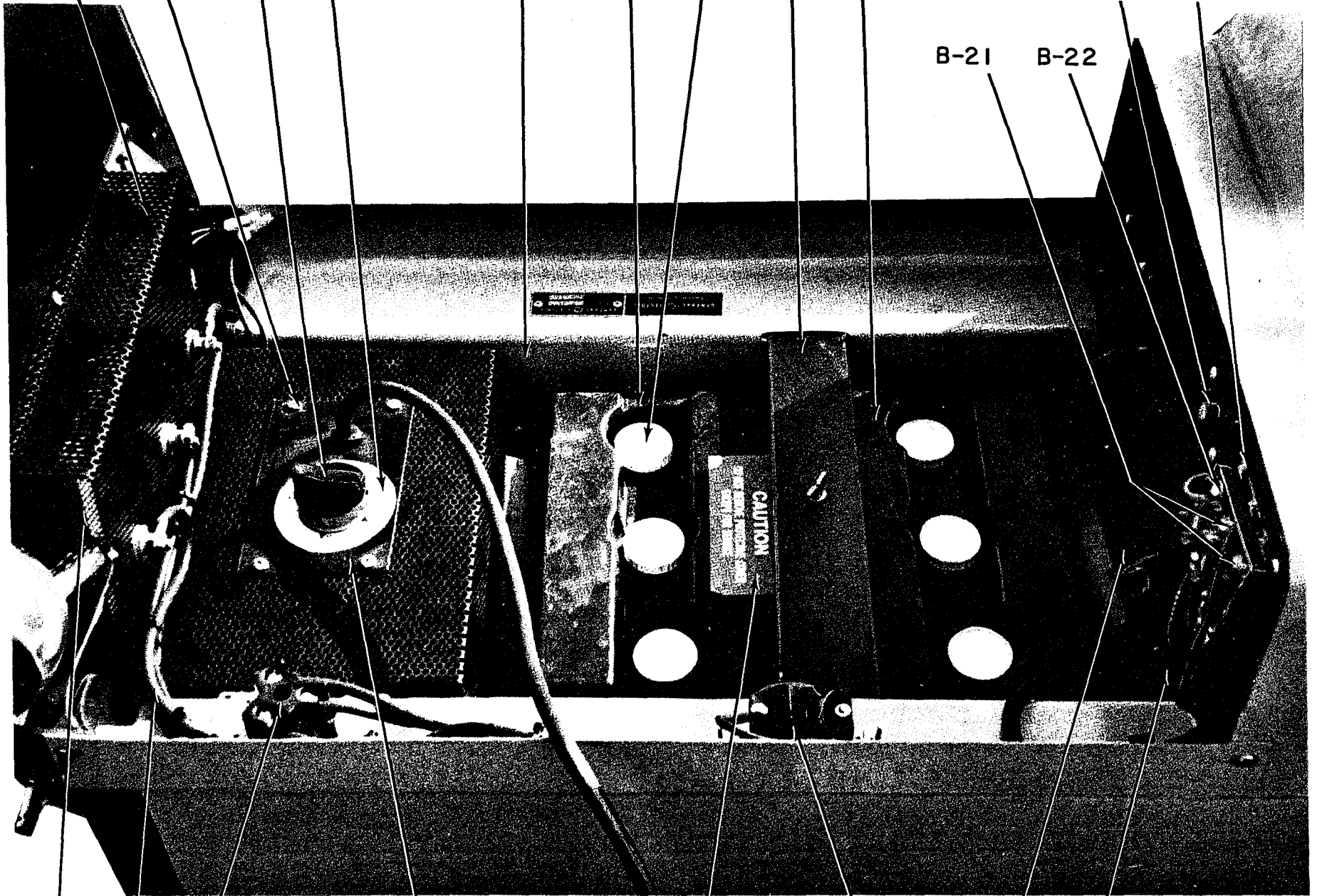
Front Battery Compartment, Large Frame

B-11 B-24,B-25 B-14 B-15

B-8 B-6 B-7 B-5 B-4

B-23 B-20

B-21 B-22



B-12

B-16

B-17

B-13

B-10

B-18

B-9

B-19

Fig. FB-1

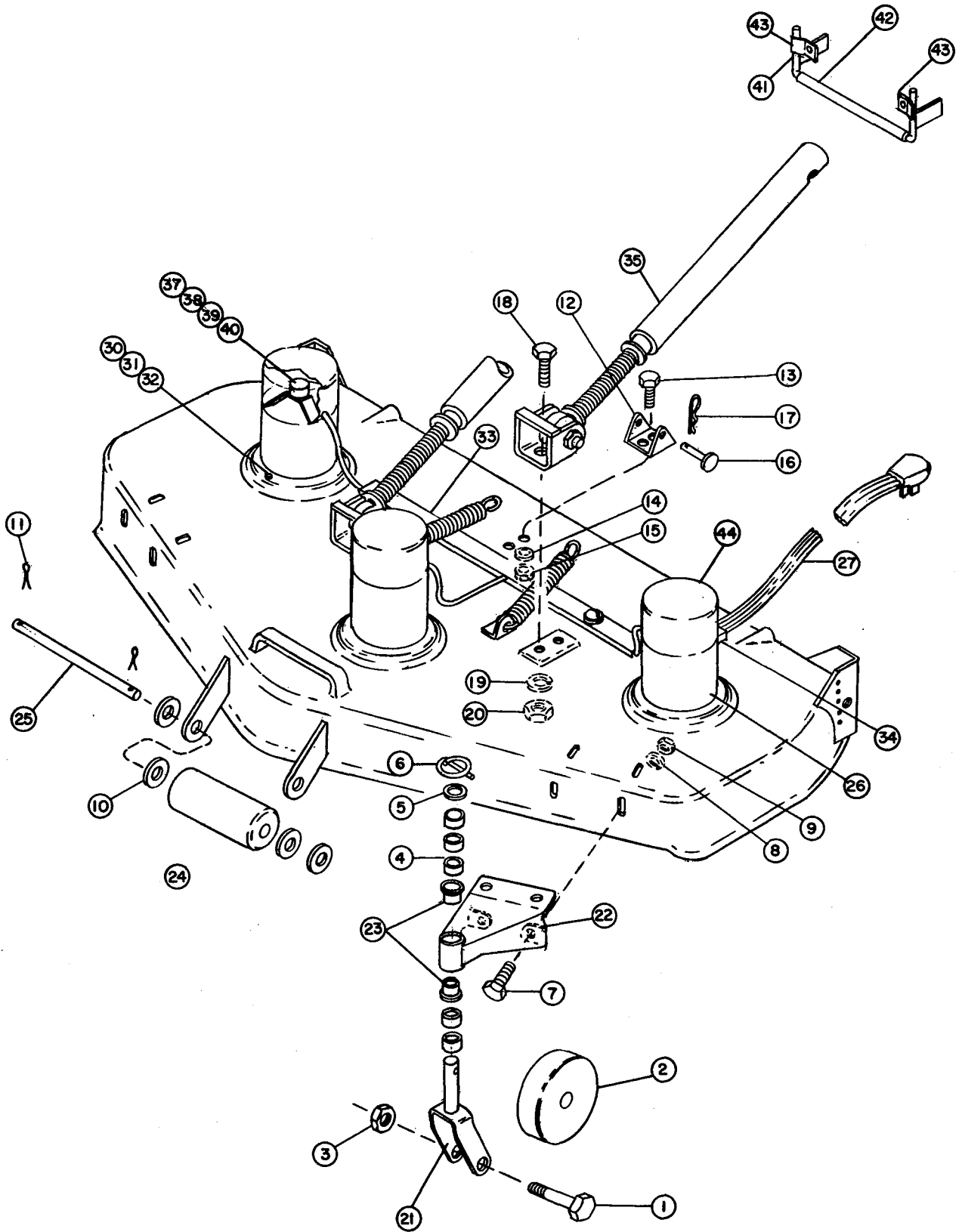
FRONT BATTERY COMPARTMENT

(Large Frame)

<u>Ref. No.</u>	<u>Part No.</u>	<u>Description</u>
B-1	155C8070P1	Battery Tray (E12-EA)
B-1	155C8070P2	Battery Tray (E20-DA, EA, E15-GA, HA, E12-JA)
B-1	541C699P1	Battery Tray (All Other Models)
B-2	178B8165G1	Battery Cable (All Models)
B-3	243A4523G1	Battery Cover (All Models)
B-4	163B9887G1	Battery Clamp Asm. (All Models)
B-5	243A4724G1	H. D. Battery (All E20's, Optional for Others)
B-5	163B9887G1	Std. Battery (All E15's and E12's)
B-6	243A4849P1	Battery Cap, Old Std. + H.D. (As Required)
B-6	244A7420P1	Battery Cap, New Std. + H.D. (As Required)
B-7	155C8005P1	Poly Bag (All Models)
B-8	211A3598P2	Battery Protector (All Models)
B-9	178B8031G1	Charger Cover, Perforated (E20-AA, BA, CA, CB CC, DA)
B-9	178B8286G1	Charger Cover, Louvered (E20-AA, BA, CA, CB, CC, DA)
B-9	541C917P1	Charger Cover, Perforated (E20-EA, All E15's, All E12's)
B-9	155C8160P1	Charger Cover, Louvered (E20-EA, All E15's, All E12's)
B-10	178B8012G1	Power Resistor Asm. (E20-AA, BA, CA, CB, CC, DA)
B-10	178B8453G1	Power Resistor Asm. (E20-EA)
B-10	163B9904G1	Power Resistor Asm. (E15's + E20's)
B-11	163B9906G2	Timer Asm. (All Models Except E20-EA)
B-11	163B9906G4	Timer Asm. (E20-EA)
B-12	243A4549P1	Timer Knob (All Models)
B-13	211A3498P1	Timer Dial (All Models Except E20-DA, EA, E15-GA, HA, E12-JA)
B-13	244A7386P1	Timer Dial (E20-DA, EA, E15-GA, HA, E12-JA)
B-14	155C8019G1	Grill Harness (E20-AA, BA, CA, CB, CC, DA)
B-14	158C9053G1	Grill Harness (E20-EA)
B-14	541C924G1	Grill Harness (E15-AA)
B-14	541C958G1	Grill Harness (E15-BA, CA, CB, DA)
B-14	155C8084G1	Grill Harness (E15-EA, FA)
B-14	158C9006G1	Grill Harness (E15-GA)
B-14	158C9053G1	Grill Harness (E15-HA)
B-14	541C958G2	Grill Harness (E12-AA, BA)
B-14	541C944G1	Grill Harness (E12-CA, DA, HA, JA)
B-14	155C8064G1	Grill Harness (E12-EA)
B-15	243A4572P1	P. T. O. Outlet (All Models)
B-16	243A4542P1	Accessory Outlet (All Models)
B-17	244A7463P1	Fuse Board (E20-DA, EA, E15-GA, HA, E12-JA)
B-17	243A4807P1	Fuse Board (E20-AA, BA, CA, CB, CC, E15-EA, FA, E12-CA, DA, EA, HA)
B-17	243A4591P1	Fuse Board (E15-AA, BA, CA, CB, DA, E12-AA, BA)
B-18	211A3528P1	Fuse Decal (All Models)
B-19	243A4657P1	Fuse, 20 Amp. (All Models)
B-20	243A4597P1	Fuse, 30 Amp. (All Models Except E12-EA)
B-21	243A4719P1	Circuit Breaker, 50 Amp. (All Models)
B-22	211A3562P1	Speed Nut (All Models)
B-23	N80P16006B6	10-24 x 3/8 Pan Hd. Screw (All Models)

TABLE OF CONTENTS

<u>Figure</u>	<u>Title</u>
AC-1	Rotary Mower Assembly
AC-2	Rotary Mower Rear Discharge Assembly
AC-3	Rotary Mower Side Discharge Assembly
AC-4	48" Snow/Dozer Blade
AC-5	Snow Thrower, Model AD42AA
AC-6	Snow Thrower, Model AD42BA
AC-7	Snow Thrower, Model AD38AA
AC-8	E12M Mid-Mount Rotary Mower
AC-9	E8M/E10M Mid-Mount Rotary Mower
AC-10	Elec-Trak Walk-Behind Lawn Mower
AC-11	42-Inch Snow/Dozer Blade, Model AB42
AC-12	Front Mounted 56-Inch Gang Mower, AR56
AS	Trailing Lawn Sweeper
KS	Lawn Sweeper Motor Kit
CU	Vacuum
BU	V-Plow BV48
UU	Rotary Tiller
AF	12-Cubic Foot Dump Cart
TM	Power Unit
TH	Grass Trimmer Head
TH	Hedge Trimmer Head
HC	Weeder Cultivator
HE	Lawn Edger Trimmer
HS	Chain Saw

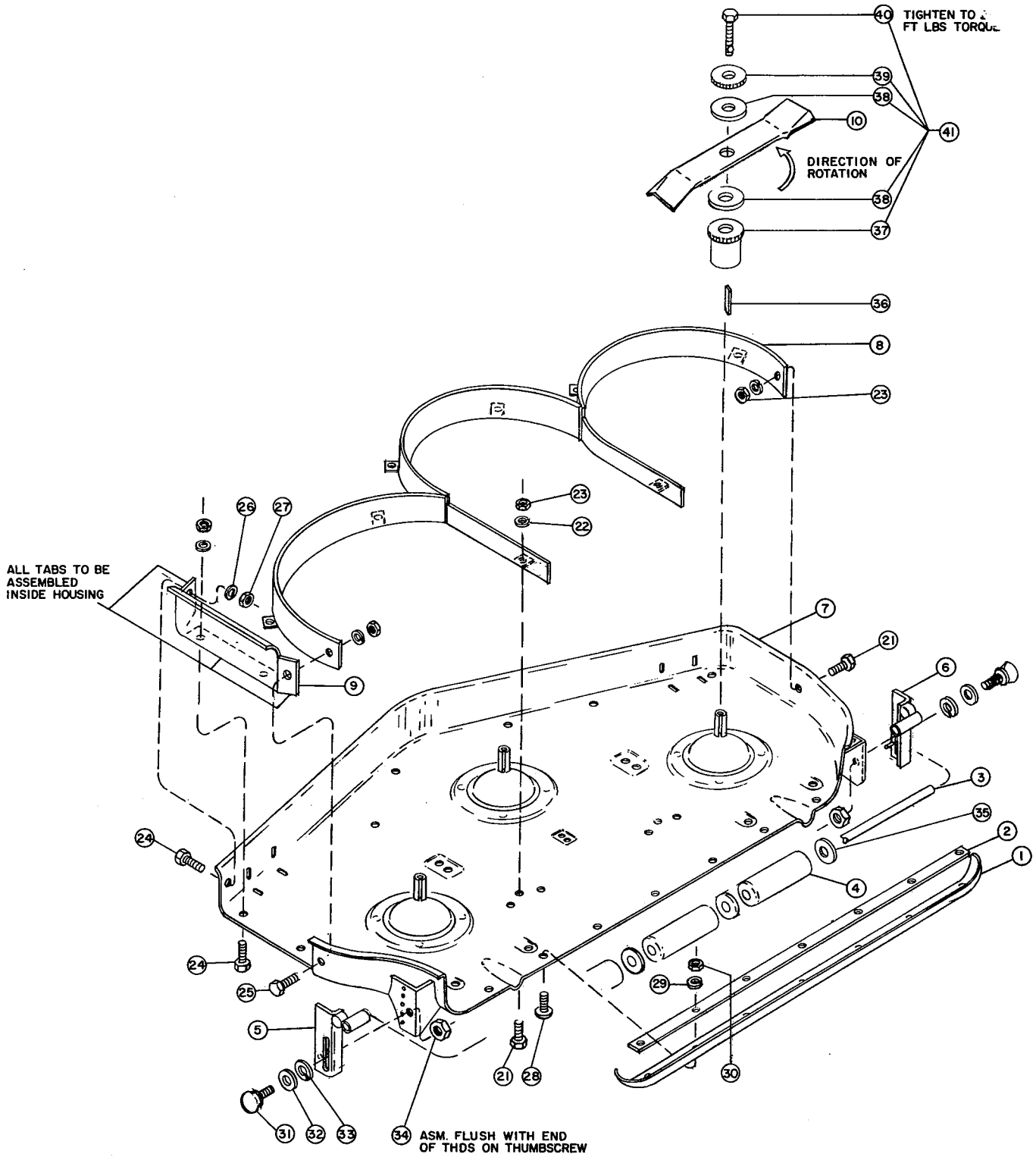


REFERENCE NUMBER IS NUMBER ON DRAWING PREFIXED BY MB

Fig. AC-1

ROTARY MOWER ASSEMBLY

<u>Ref. No.</u>	<u>Part No.</u>	<u>Description</u>
MB-1	N22P290568	Bolt, Hex Hd. 1/2-13 x 3 1/2
MB-2	211A3220P1	Wheel, Caster
MB-3	See Note 1	Nut, Hex 1/2-13
MB-4	211A3255P1	Spacer
MB-5	See Note 1	Washer, Plain 1 3/8 OD x 13/16 ID
MB-6	211A3471P1	Spring Pin
MB-7	See Note 1	Bolt, Hex Hd. 5/16-18 x 1 1/8
MB-7	See Note 1	Bolt, Hex Hd. 5/16-18 x 3/4
MB-8	See Note 1	Lockwasher 5/16
MB-9	N402AP1886	Nut, Hex 5/16-18
MB-10	See Note 1	Washer, Plain
MB-11	See Note 1	Cotter Pin 1/8 x 1
MB-12	211A3231P1	Lift Clevis
MB-13	See Note 1	Bolt, Hex Hd. 1/4-20 x 5/8
MB-14	See Note 1	Nut, Hex 1/4-20
MB-15	See Note 1	Lockwasher 1/4
MB-16	211A3505P3	Clevis Pin
MB-17	243A4543P1	Hair Pin Cotter
MB-18	See Note 1	Bolt, Hex Hd. 3/8-16 x 7/8
MB-19	See Note 1	Lockwasher 3/8
MB-20	See Note 1	Nut, Hex 3/8-16
MB-21	178B8195P1	Yoke, Caster
MB-22	541C926G1	Caster Support (Models 26AA42D & E)
MB-23	211A3236P1	Caster Bearing
MB-24	243A4607P1	Roller (Front)
MB-24	178B8489P1	Roller (Front) (Rubber)
MB-25	243A4643P1	Shaft (Front)
MB-26	211A3435G1	Motor 3 1/4 OD Cover
MB-26+	541C971P1	Motor 4 3/8 OD Cover
MB-26(2)	158C9011P1	Motor 4 3/8 OD Cover Heavy Duty
MB-27	163B9918G1	Wiring Harness
MB-27+	163B9995G1	Wiring Harness (For Use With 26+)
MB-28	See Note 1	Screw Pan Hd. Phillips 8-32 x 5/16
MB-29	See Note 1	Lockwasher #8
MB-30	See Note 1	Bolt, Hex Hd. 1/4-20 x 7/8
MB-31	See Note 1	Nut, Hex 1/4-20
MB-32	See Note 1	Lockwasher 1/4
MB-33	541C909P1	Wire Cover
MB-34	541C910P1	Wire Box
MB-34+	541C910P2	Wire Box (For Use With 26+)
MB-35	542C872G1	Mower Arm Assembly (See 45, 46, 47, 48 For Breakdown)
MB-36	211A3455P1	Spring Helper
MB-37	211A3530P1	Circuit Breaker
MB-37	211A3530P3	Circuit Breaker for Motor No. 158C9011P1
MB-37+	Included Internally	Circuit Breaker (For Use with 26+)
MB-38	See Note 1	Screw, Pan Hd. Phillips 6-32 x 5/8
MB-39	See note 1	Washer, Plain #6
MB-40	See Note 1	Lockwasher #6
MB-41	541C961G1	Front Mower Guide Assy. (Complete)
MB-42	243A4739P1	Sleeve
MB-45	243A4647P1	Arm
MB-46	211A3271P1	Ball Rod End
MB-47	243A4645P1	Spring
MB-48	N533P1315	Roll Pin
MB-49	244A7215P1	Mower Wear Sleeve
MB-50	244A7216P1	Retainer



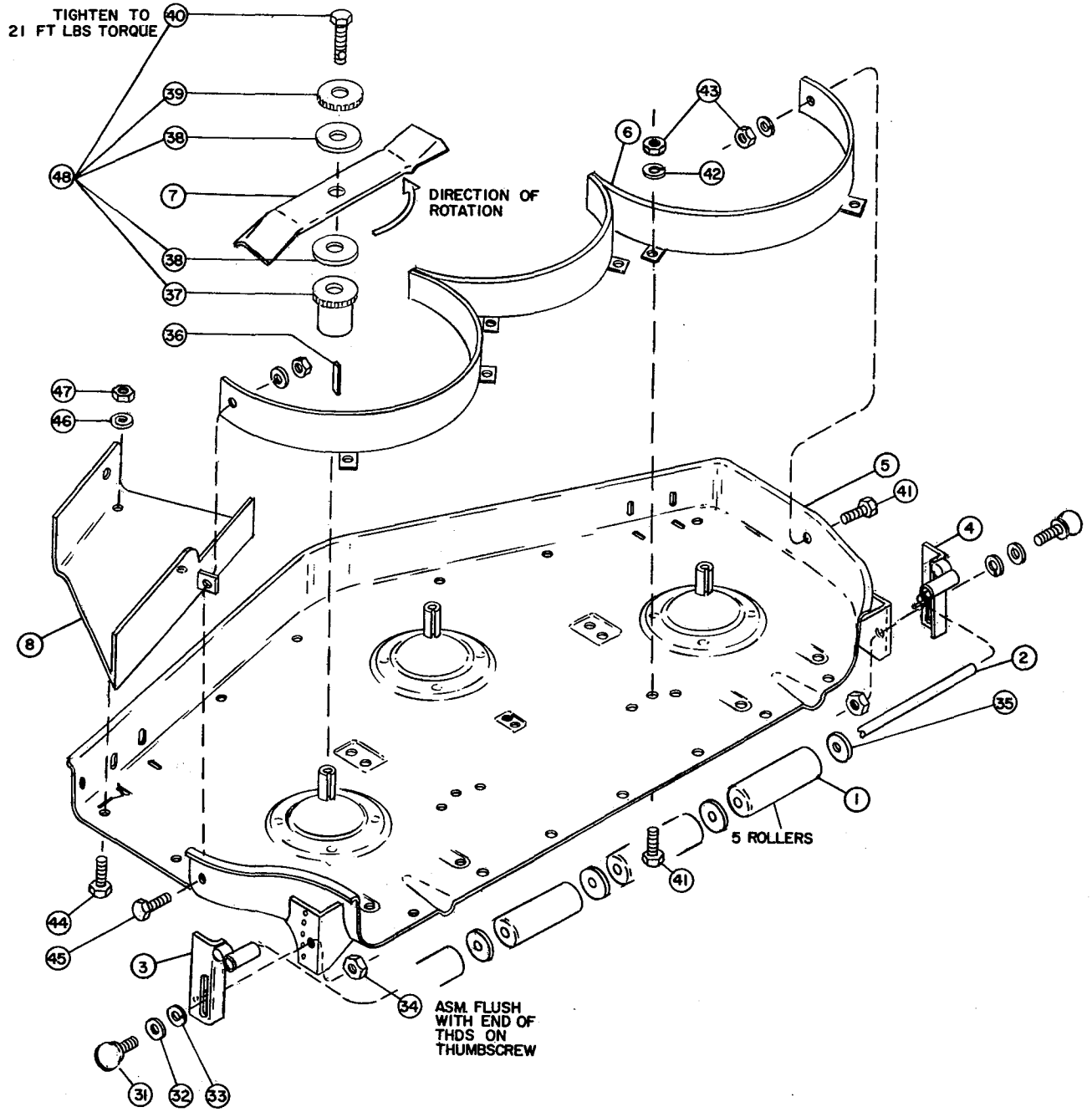
REFERENCE NUMBER IS NUMBER ON DRAWING PREFIXED BY MR

Fig. AC-2

ROTARY MOWER REAR DISCHARGE ASSEMBLY

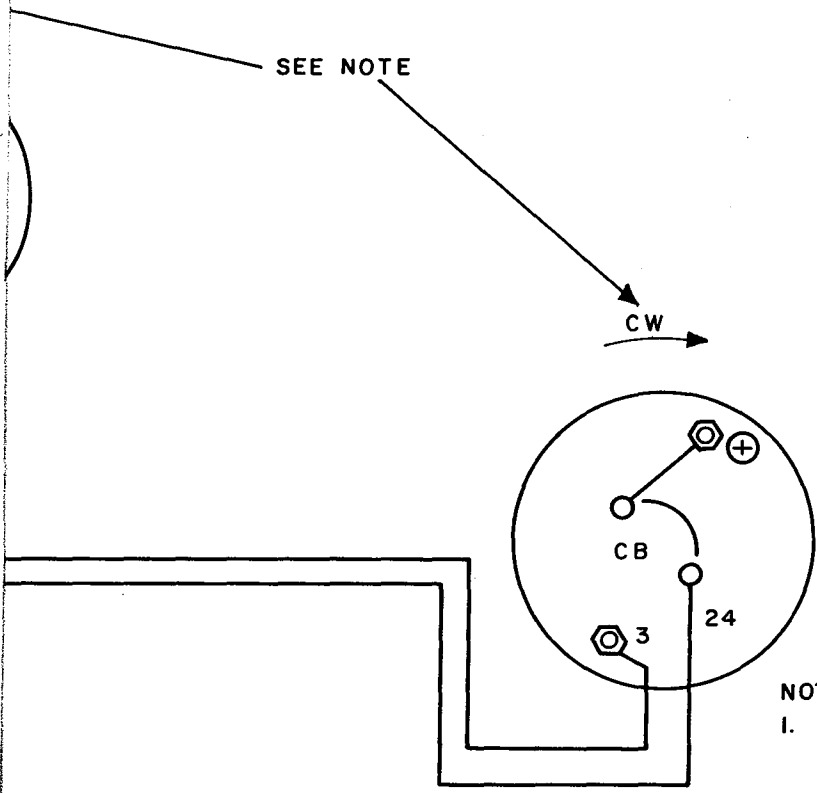
<u>Ref. No.</u>	<u>Part No.</u>	<u>Description</u>
MR-1	243A4517P1	Rear Mower Flap
MR-2	243A4520P1	Strip
MR-3	243A4608P1	Shaft (Roller)
MR-4	243A4607P1	Roller
MR-4	178B8489P1	Roller (Rubber) Model PA, RA
MR-5	163B9801G1	Adjuster Assy. (Right)
MR-6	163B9801G2	Adjuster Assy. (Left)
MR-7	587E936G1	Housing Assy. (Deck)
MR-8	423D204G1	Baffle (Rear)
MR-9	211A3554G1	Cover Assembly
MR-10	163B9871P1	Blade (Mower)
MR-21	See Note 1	Bolt, Hex Hd. 1/4-20
MR-22	See Note 1	Lockwasher 1/4
MR-23	See Note 1	Nut, Hex 1/4-20
MR-24	See Note 1	Bolt, Hex Hd. 1/4-20 x 5/8
MR-25	See Note 1	Bolt, Hex Hd. 1/4-20 x 3/4
MR-26	See Note 1	Lockwasher 1/4
MR-27	See Note 1	Nut, Hex 1/4-20
MR-28	See Note 1	Screw, Pan Hd. Phillips 10-32 x 7/16
MR-29	See Note 1	Lockwasher #10
MR-30	See Note 1	Nut, Hx. 10-32
MR-31	243A4571P2	Thumbscrew 3/8-16
MR-32	See Note 1	Washer, Plain 3/8 ID
MR-33	See Note 1	Lockwasher 3/8
MR-34	See Note 1	Locknut, Hex 3/8-16
MR-35	243A4642P3	Washer, Plain 11/16 ID x 1 3/4 OD
MR-36	211A3565P1	Key 5/32 Sq. x 5/8
MR-37	243A4577P1	Clutch Body
MR-38	243A4576P1	Washer, Fibre 2 Required per Blade)
MR-39	243A4578P1	Clutch Washer
MR-40	211A3564P1	Screw, Self-Locking Cap
MR-41	163B9932G1	Clutch Assy. (Nos. 37, 38 (2), 39, 40)
MR-42	243A4519G1	Grass Deflector Asm.
MR-43	211A3491G1	Rear Discharge Kit
MR-44	211A3514P1	Caution Decal
MR-45	163B9947G1	Rear Roller Asm.

(1) Not stocked, order locally. For bolt and screw replacement, use Grade 5 or better.



REFERENCE NUMBER IS NUMBER ON DRAWING PREFIXED BY MS

Fig. AC-3



SEE NOTE

CW

NOTES:

1. ALTERNATE WIRING METHOD CALLS FOR CB (CIRCUIT BREAKER) IN THE NO.3 WIRE.
2. BLADE ROTATIONS ARE AS VIEWED FROM TOP OF MOWERS. WHEN LOOKING AT BLADES FROM THE BOTTOM, THE ROTATIONS ARE OPPOSITE.

Fig. 6-1 26AA42 Mower Wiring

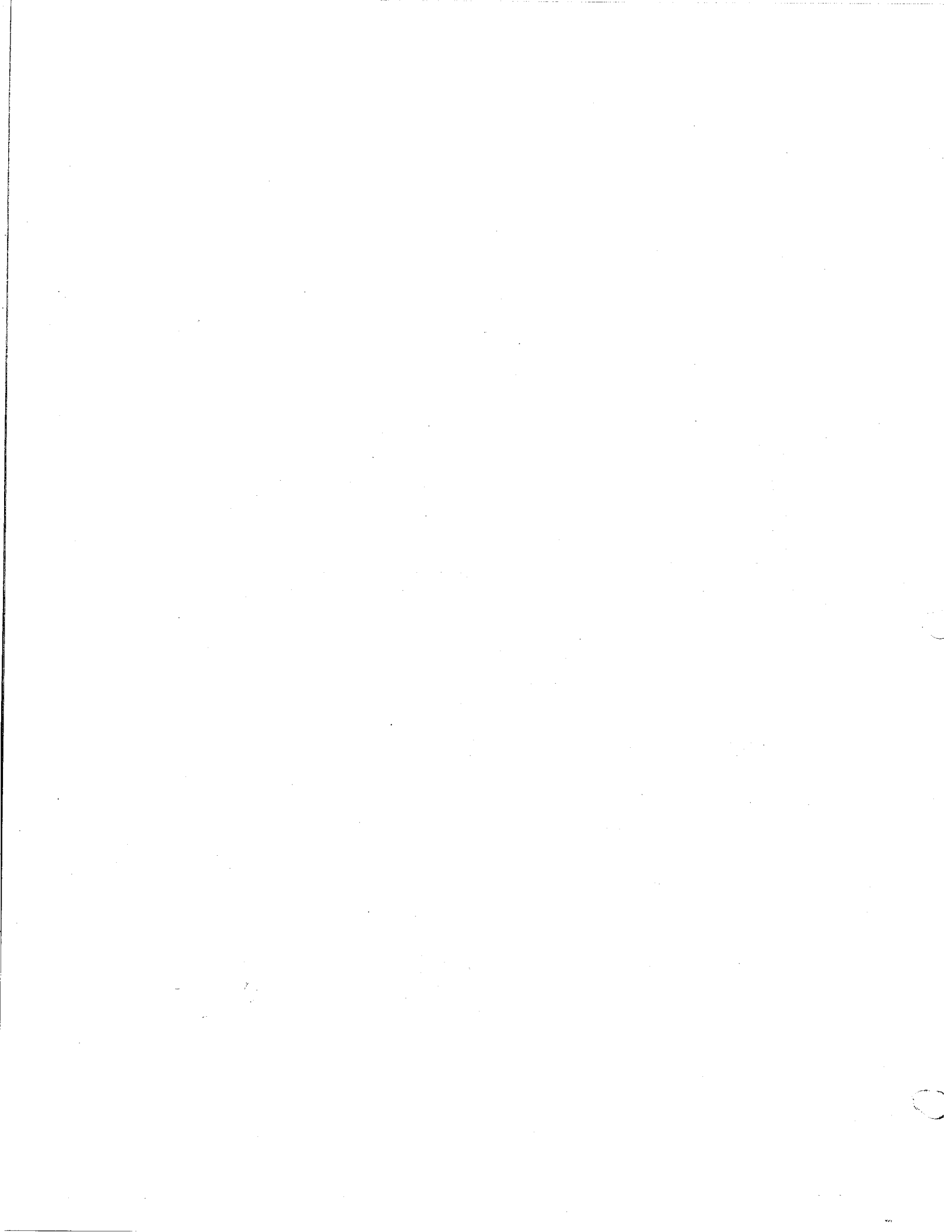
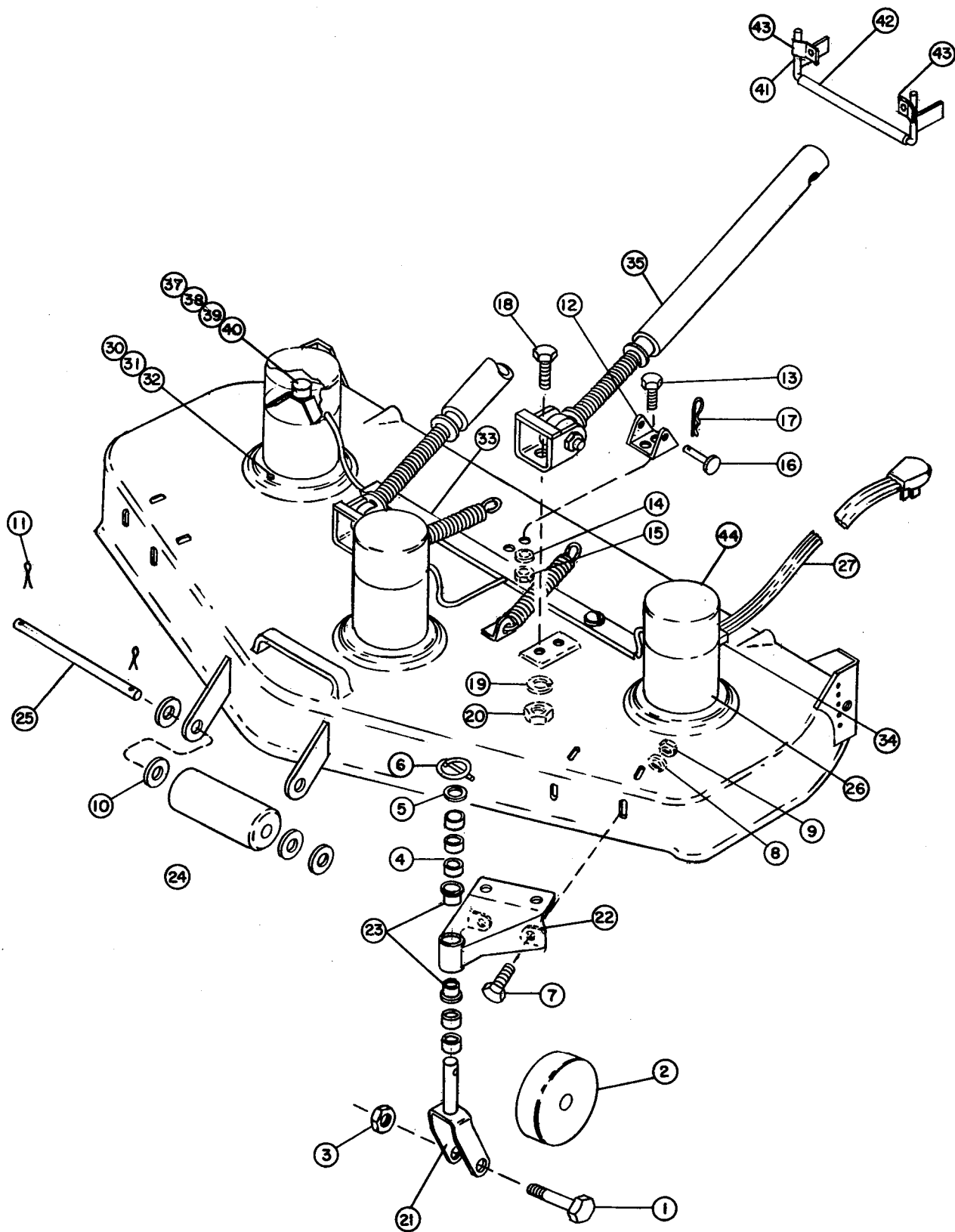


TABLE OF CONTENTS

<u>Figure</u>	<u>Title</u>
AC-1	Rotary Mower Assembly
AC-2	Rotary Mower Rear Discharge Assembly
AC-3	Rotary Mower Side Discharge Assembly
AC-4	48" Snow/Dozer Blade
AC-5	Snow Thrower, Model AD42AA
AC-6	Snow Thrower, Model AD42BA
AC-7	Snow Thrower, Model AD38AA
AC-8	E12M Mid-Mount Rotary Mower
AC-9	E8M/E10M Mid-Mount Rotary Mower
AC-10	Elec-Trak Walk-Behind Lawn Mower
AC-11	42-Inch Snow/Dozer Blade, Model AB42
AC-12	Front Mounted 56-Inch Gang Mower, AR56
AS	Trailing Lawn Sweeper
KS	Lawn Sweeper Motor Kit
CU	Vacuum
BU	V-Plow BV48
UU	Rotary Tiller
AF	12-Cubic Foot Dump Cart
TM	Power Unit
TH	Grass Trimmer Head
TH	Hedge Trimmer Head
HC	Weeder Cultivator
HE	Lawn Edger Trimmer
HS	Chain Saw

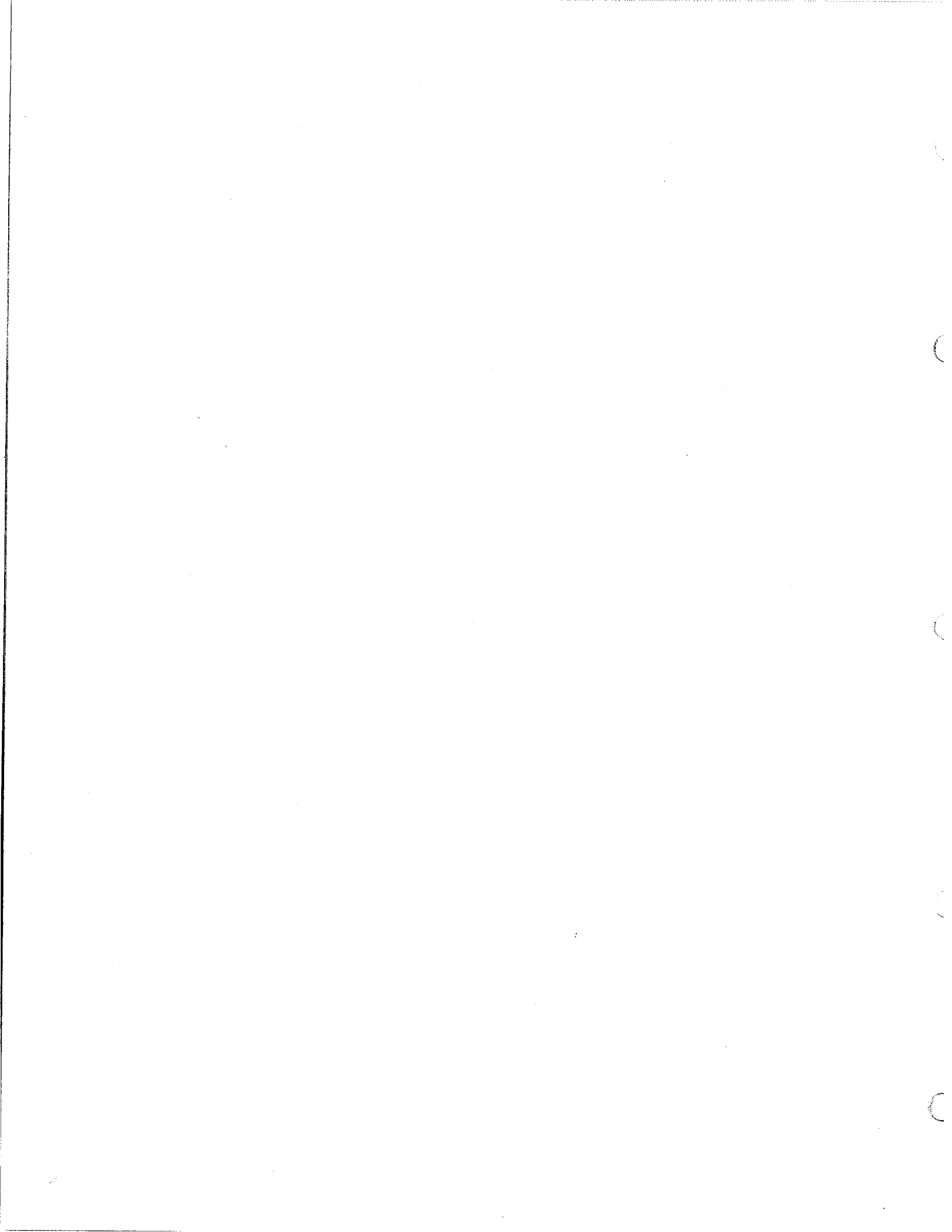


REFERENCE NUMBER IS NUMBER ON DRAWING PREFIXED BY MB

Fig. AC-1

ROTARY MOWER ASSEMBLY

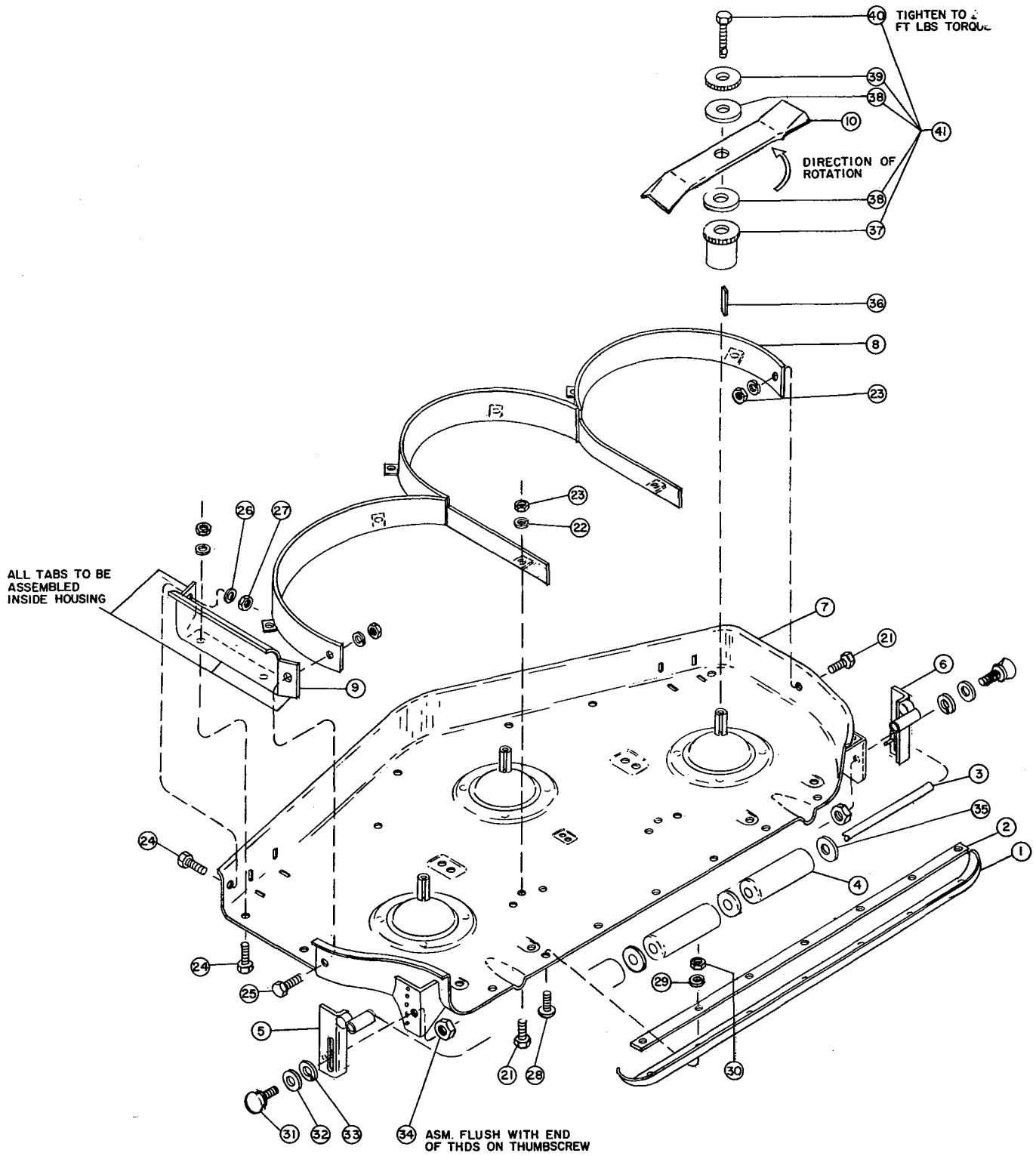
<u>Ref. No.</u>	<u>Part No.</u>	<u>Description</u>
MB-1	N22P290568	Bolt, Hex Hd. 1/2-13 x 3 1/2
MB-2	211A3220P1	Wheel, Caster
MB-3	See Note 1	Nut, Hex 1/2-13
MB-4	211A3255P1	Spacer
MB-5	See Note 1	Washer, Plain 1 3/8 OD x 13/16 ID
MB-6	211A3471P1	Spring Pin
MB-7	See Note 1	Bolt, Hex Hd. 5/16-18 x 1 1/8
MB-7	See Note 1	Bolt, Hex Hd. 5/16-18 x 3/4
MB-8	See Note 1	Lockwasher 5/16
MB-9	N402AP1886	Nut, Hex 5/16-18
MB-10	See Note 1	Washer, Plain
MB-11	See Note 1	Cotter Pin 1/8 x 1
MB-12	211A3231P1	Lift Clevis
MB-13	See Note 1	Bolt, Hex Hd. 1/4-20 x 5/8
MB-14	See Note 1	Nut, Hex 1/4-20
MB-15	See Note 1	Lockwasher 1/4
MB-16	211A3505P3	Clevis Pin
MB-17	243A4543P1	Hair Pin Cotter
MB-18	See Note 1	Bolt, Hex Hd. 3/8-16 x 7/8
MB-19	See Note 1	Lockwasher 3/8
MB-20	See Note 1	Nut, Hex 3/8-16
MB-21	178B8195P1	Yoke, Caster
MB-22	541C926G1	Caster Support (Models 26AA42D & E)
MB-23	211A3236P1	Caster Bearing
MB-24	243A4607P1	Roller (Front)
MB-24	178B8489P1	Roller (Front) (Rubber)
MB-25	243A4643P1	Shaft (Front)
MB-26	211A3435G1	Motor 3 1/4 OD Cover
MB-26+	541C971P1	Motor 4 3/8 OD Cover
MB-26(2)	158C9011P1	Motor 4 3/8 OD Cover Heavy Duty
MB-27	163B9918G1	Wiring Harness
MB-27+	163B9995G1	Wiring Harness (For Use With 26+)
MB-28	See Note 1	Screw Pan Hd. Phillips 8-32 x 5/16
MB-29	See Note 1	Lockwasher #8
MB-30	See Note 1	Bolt, Hex Hd. 1/4-20 x 7/8
MB-31	See Note 1	Nut, Hex 1/4-20
MB-32	See Note 1	Lockwasher 1/4
MB-33	541C909P1	Wire Cover
MB-34	541C910P1	Wire Box
MB-34+	541C910P2	Wire Box (For Use With 26+)
MB-35	542C872G1	Mower Arm Assembly (See 45, 46, 47, 48 For Breakdown)
MB-36	211A3455P1	Spring Helper
MB-37	211A3530P1	Circuit Breaker
MB-37	211A3530P3	Circuit Breaker for Motor No. 158C9011P1
MB-37+	Included Internally	Circuit Breaker (For Use with 26+)
MB-38	See Note 1	Screw, Pan Hd. Phillips 6-32 x 5/8
MB-39	See note 1	Washer, Plain #6
MB-40	See Note 1	Lockwasher #6
MB-41	541C961G1	Front Mower Guide Assy. (Complete)
MB-42	243A4739P1	Sleeve
MB-45	243A4647P1	Arm
MB-46	211A3271P1	Ball Rod End
MB-47	243A4645P1	Spring
MB-48	N533P1315	Roll Pin
MB-49	244A7215P1	Mower Wear Sleeve
MB-50	244A7216P1	Retainer



ROTARY MOWER ASSEMBLY (Cont'd)

<u>Ref. No.</u>	<u>Part No.</u>	<u>Description</u>
MB-51	211A3465P1	Spring Bracket
MB-53	244A7112P1	Chain Oval Link
MB-54	244A7113P1	"S" Hook
MB-56	244A7260G1	Caster Asm.
MB-43	243A4786P1	Clamp (2 Required)
MB-44	243A4736P4	Cover Assy. With Hdw. (Models 26AA42B and D)

- (1) Not stocked, order locally. For bolt and screw replacement, use Grade 5 or better.
- (2) May be ordered as total replacement kit 178B8406G1 (three (3) motors, harness and hardware).



REFERENCE NUMBER IS NUMBER ON DRAWING PREFIXED BY MR

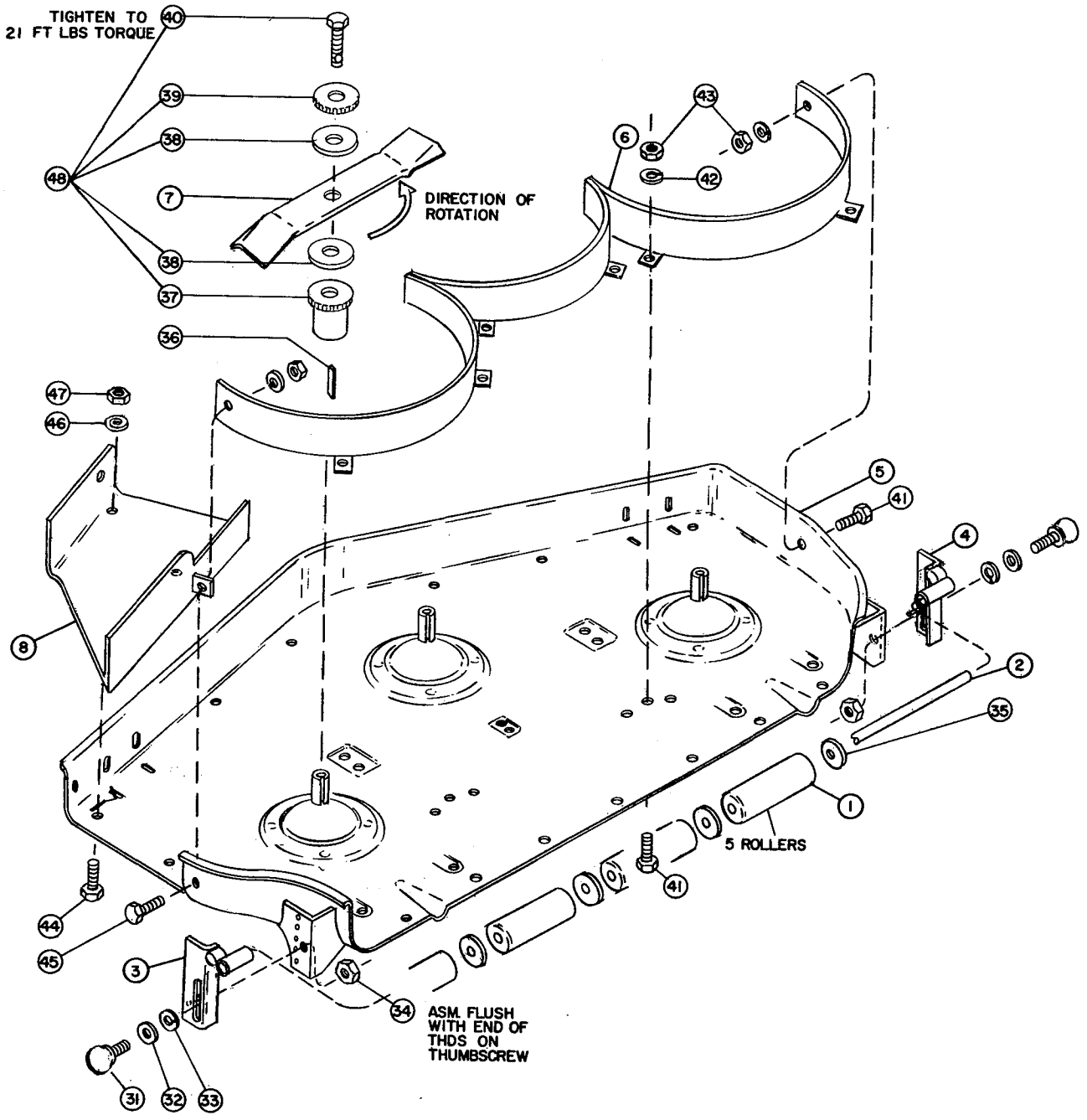
Fig. AC-2

ROTARY MOWER REAR DISCHARGE ASSEMBLY

<u>Ref. No.</u>	<u>Part No.</u>	<u>Description</u>
MR-1	243A4517P1	Rear Mower Flap
MR-2	243A4520P1	Strip
MR-3	243A4608P1	Shaft (Roller)
MR-4	243A4607P1	Roller
MR-4	178B8489P1	Roller (Rubber) Model PA, RA
MR-5	163B9801G1	Adjuster Assy. (Right)
MR-6	163B9801G2	Adjuster Assy. (Left)
MR-7	587E936G1	Housing Assy. (Deck)
MR-8	423D204G1	Baffle (Rear)
MR-9	211A3554G1	Cover Assembly
MR-10	163B9871P1	Blade (Mower)
MR-21	See Note 1	Bolt, Hex Hd. 1/4-20
MR-22	See Note 1	Lockwasher 1/4
MR-23	See Note 1	Nut, Hex 1/4-20
MR-24	See Note 1	Bolt, Hex Hd. 1/4-20 x 5/8
MR-25	See Note 1	Bolt, Hex Hd. 1/4-20 x 3/4
MR-26	See Note 1	Lockwasher 1/4
MR-27	See Note 1	Nut, Hex 1/4-20
MR-28	See Note 1	Screw, Pan Hd. Phillips 10-32 x 7/16
MR-29	See Note 1	Lockwasher #10
MR-30	See Note 1	Nut, Hx. 10-32
MR-31	243A4571P2	Thumbscrew 3/8-16
MR-32	See Note 1	Washer, Plain 3/8 ID
MR-33	See Note 1	Lockwasher 3/8
MR-34	See Note 1	Locknut, Hex 3/8-16
MR-35	243A4642P3	Washer, Plain 11/16 ID x 1 3/4 OD
MR-36	211A3565P1	Key 5/32 Sq. x 5/8
MR-37	243A4577P1	Clutch Body
MR-38	243A4576P1	Washer, Fibre 2 Required per Blade)
MR-39	243A4578P1	Clutch Washer
MR-40	211A3564P1	Screw, Self-Locking Cap
MR-41	163B9932G1	Clutch Assy. (Nos. 37, 38 (2), 39, 40)
MR-42	243A4519G1	Grass Deflector Asm.
MR-43	211A3491G1	Rear Discharge Kit
MR-44	211A3514P1	Caution Decal
MR-45	163B9947G1	Rear Roller Asm.

(1) Not stocked, order locally. For bolt and screw replacement, use Grade 5 or better.

TIGHTEN TO
21 FT LBS TORQUE



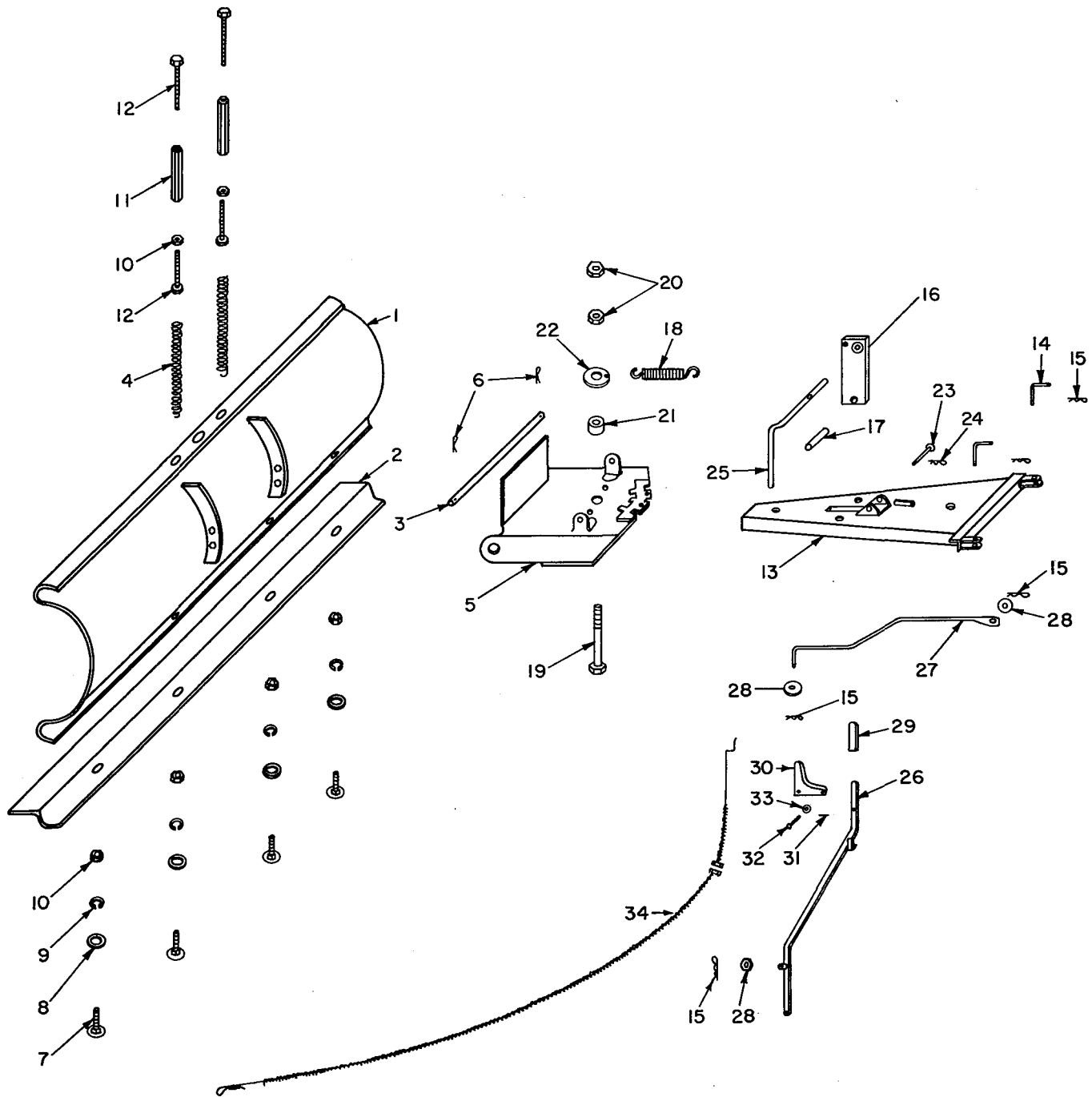
REFERENCE NUMBER IS NUMBER ON DRAWING PREFIXED BY MS

Fig. AC-3

ROTARY MOWER SIDE DISCHARGE ASSEMBLY

<u>Ref. No.</u>	<u>Part No.</u>	<u>Description</u>
MS-1	243A4607P1	Roller
MS-1	178B8489P1	Roller (Rubber)Model MA, RA
MS-2	243A4608P1	Shaft (Roller)
MS-3	163B9801G1	Adjuster Assembly (Right)
MS-4	163B9801G2	Adjuster Assembly (Left)
MS-5	587E936G1	Housing Assembly (Deck)
MS-6	587E934G1	Baffle (Side)
MS-7	163B9871P1	Blade (Mower)
MS-8	541C906G1	Discharge Chute Assembly
MS-8	244A7447G1	Discharge Chute Assembly (Model BA)
MS-8	178B8465G1	Discharge Chute Assembly (Model HA - MA)
MS-31	243A4571P2	Thumbscrew 3/8-16
MS-32	See Note 1	Washer, Plain 3/8 In.
MS-33	See Note 1	Lockwasher 3/8
MS-34	See Note 1	Locknut, Hex 3/8-16
MS-35	243A4642P3	Washer, Plain 11/16 ID x 1 3/4 OD
MS-36	211A3565P1	Key 5/32 Sq. x 5/8
MS-37	243A4577P1	Clutch Body
MS-38	243A4576P1	Washer, Fibre
MS-39	243A4578P1	Clutch Washer
MS-40	211A3564P1	Screw, Self-Locking Cap
MS-41	See Note 1	Bolt, Hex Hd. 1/4-20 x 5/8
MS-42	See Note 1	Lockwasher 1/4
MS-43	See Note 1	Nut, Hex 1/4-20
MS-44	See Note 1	Bolt, Hex Hd. 1/4-20 x 5/8
MS-45	See Note 1	Bolt, Hex Hd. 1/4-20 x 3/4
MS-46	See Note 1	Lockwasher 1/4
MS-47	See Note 1	Nut, Hex 1/4-20
MS-48	163B9932G1	Clutch Assy. (Nos. 37, 38, 39, 40)
MS-49	211A3491G3	Side Discharge Kit

(1) Not stocked, order locally. For bolt and screw replacement, use Grade 5 or better.



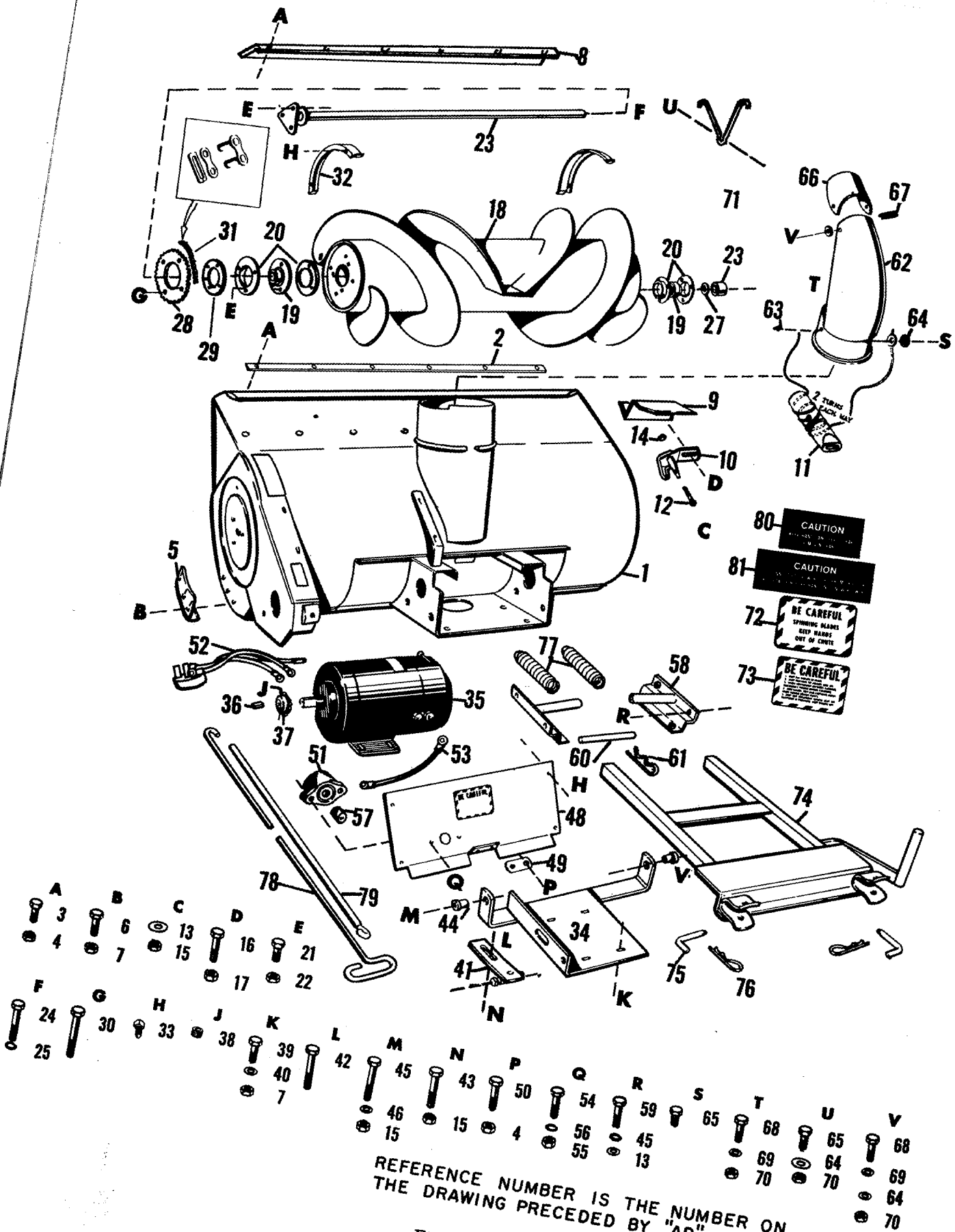
REFERENCE NUMBER IS NUMBER ON DRAWING PREFIXED BY AB.

Fig. AC-4

48" SNOW/DOZER BLADE

<u>Ref. No.</u>	<u>Part No.</u>	<u>Description</u>
AB-1	243A4890G1	Blade Assembly 48"
AB-2	178B8059P1	Bar, Wear and Skid
AB-3	243A4891P1	Pivot Rod
AB-4	243A4892P1	Spring, Blade Trip
AB-5	243A4893G1	Pivot Plate Assembly
AB-6	See Note 1	Pin, Cotter (5/32" x 1 1/4")
AB-7	See Note 1	Carriage Bolt (3/8"-16 x 1")
AB-8	See Note 1	Plain Washer (3/8")
AB-9	See Note 1	Lockwasher (3/8")
AB-10	See Note 1	Hex Nut (3/8"-16)
AB-11	243A4894P1	Nut, Coupler (3/8"-16 x 1 1/2")
AB-12	See Note 1	Hex Bolt (3/8"-16 x 1 1/2")
AB-13	155C8009G1	Push Tube Assembly
AB-14	243A4895P1	Pin, Drilled
AB-15	243A4543P1	Hair Pin Cotter
AB-16	243A4896P1	Pivot Bar, Lock
AB-17	N533P2516B	Pin, Spring
AB-18	243A4897P1	Spring, Angle Lock
AB-19	N22P35072B6	Hex Hd. Bolt
AB-20	N213P35B6	Hex Jam Nuts
AB-21	243A4898P1	Spacer
AB-22	243A4899P1	Washer - Latch Spring Conn.
AB-23	211A3505P12	Clevis Pin
AB-24	211A3256P4	Hair Pin Cotter
AB-25	178B8081G1	Handle, Pivot Bar Lock
AB-26	178B8058G1	Handle Assembly, Angling
AB-27	243A4903G1	Rod Assembly, Angling
AB-28	See Note 1	Plain Washer (5/8")
AB-29	243A4837P1	Handle Grip, Vinyl
AB-30	178B8060P1	Hand Lever
AB-31	N509P1308B	Roll Pin
AB-32	See Note 1	Hex Bolt (1/4" x 3/4")
AB-33	See Note 1	Hex Lock Nut (1/4"-20)
AB-34	243A4904P1	Cable Assembly (Complete)

(1) Not stocked, order locally. For bolt and screw replacement use Grade 5 or better.



REFERENCE NUMBER IS THE NUMBER ON
 THE DRAWING PRECEDED BY "AD"

Fig. AC-5

SNOW THROWER

Model AD42AA

<u>Ref. No.</u>	<u>Part No.</u>	<u>Description</u>
AD-1	243A4714P1	Assy. - Header Housing
AD-2	243A4714P2	Blade - Scraper
AD-3	243A4714P3	Bolt - 1/4-20 x 5/8 Carr.
AD-4	N238P21C6	Nut and Lock Washer Assembly (1/4-20 Hex.)
AD-5	178B8411P1	Shoe - Skid
AD-6	N657P23012B6	Bolt - 5/16-18 x 3/4 Carr.
AD-7	N256P23C6	Nut and Lockwasher Assembly (5/16-18 Hex.)
AD-8	243A4714P8	Deflector - Snow
AD-9	243A4714P9	Support - Stack Drive Brkt.
AD-10	243A4714P10	Assembly - Stack Drive Brkt.
AD-11	243A4714P11	Assembly - Tube and Cable (Comp.)
AD-12	243A4714P12	Eye Bolt - Drive Tube
AD-13	N402AP43B6	Washer - 3/8 Flat
AD-14	243A4714P14	Spring Washer - Stack Control Rod
AD-15	N264P25B6	Nut - 3/8-16 Hex. Lock
AD-16	N657P25016B6	Bolt - 3/8-16 x 1 Carr.
AD-17	N256P25C6	Nut and Lockwasher Assembly (3/8-16 Hex.)
AD-18	243A4714P18	Assembly - Auger (AW)
AD-19	243A4714P19	Bearing - Auger
AD-20	243A4714P20	Flangette - Bearing
AD-21	N22P23010B6	Bolt - 5/16-18 x 5/8 Hx. Hd.
AD-22	N405P42C6	Washer - 5/16 Med. Lock
AD-23	243A4714P23	Assembly - Auger Shaft (42")
AD-24	N22P29020B6	Bolt - 1/2-13 x 1-1/4 Hx. Hd.
AD-25	N405P45C6	Washer - 1/2 Med. Lock
AD-26	243A4714P26	Spacer - Auger Shaft
AD-27	243A4714P27	Washer
AD-28	243A4714P28	Sprocket - Auger Drive (45 Tooth)
AD-29	243A4714P29	Spacer - Sprocket
AD-30	N22P23032B6	Bolt - 5/16-18 x 2 Hx. Hd.
AD-31	243A4714P31	Chain - Auger Drive (82 Links)
AD-32	243A4714P32	Guard - Chain (Galvanized)
AD-33	N154P2408C	Screw - Self Tapping
AD-34	243A4714P34	Assembly - Mounting Plate
AD-35	178B8170P1	Motor
AD-36	243A4714P36	Key - 3/16 x 1" Long
AD-37	243A4714P37	Sprocket - Motor Shaft (13 Tooth)
AD-38	243A4714P38	Screw - Set (5/16-18 x 5/16)
AD-39	N657P23012B6	Bolt
AD-40	244A7365P1	Washer - Flat (5/16 x 3/4 x .065)
AD-41	243A4714P41	Assembly - Adjustment Brkt.
AD-42	N22P25032B6	Bolt - 3/8-16 x 2 Hx. Hd.
AD-43	N22P25024B6	Bolt - 3/8-16 x 1-1/2 Hx. Hd.
AD-44	243A4714P44	Trunnion
AD-45	N405P43C6	Washer - 3/8 Med. Lock
AD-46	N22P25020B6	Bolt - 3/8-16 x 1-1/4 Hx. Hd.
AD-47	N22P25012B6	Bolt - 3/8-16 x 3/4 Hx. Hd.
AD-48	243A4714P48	Plate - Motor Cover
AD-49	243A4714P49	Clamp - Lift Rod
AD-50	N22P21016B6	Bolt - 1/4-20 x 2 Hx. Hd.
AD-51	243A4606P1	Circuit Breaker
AD-52	243A4579G1	Cord Assembly
AD-53	211A3556G8	Jumper Wire
AD-54	N37P17014B6	Machine Screw (10-24 x 7/8)
AD-55	N210P17B6	Nut - 10-24 Hex.
AD-56	N405P39B6	Washer - #10 Med. Lock
AD-57	243A4714P57	Button Plug (Plastic)



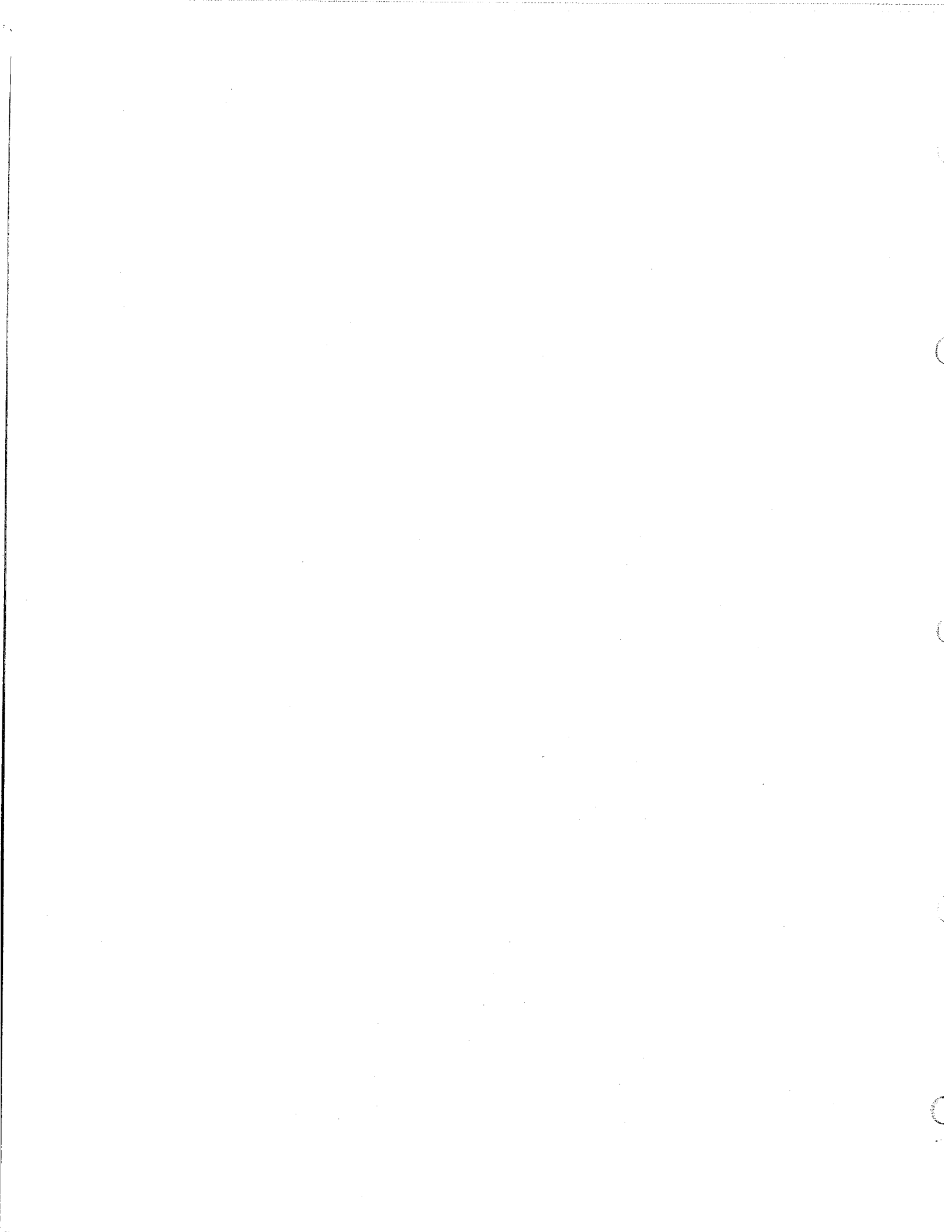
SNOW THROWER (Cont'd)

<u>Ref. No.</u>	<u>Part No.</u>	<u>Description</u>
AD-58	243A4714P58	Assembly - Channel Brkt. (AW)
AD-59	N22P25016B6	Bolt - 3/8-16 x 1 Hx. Hd.
AD-60	243A4714P60	Rod - Channel
AD-61	211A3256P23	Pin - Hair Cotter
AD-62	243A4714P62	Assembly - Deflector and Elbow
AD-63	243A4714P63	Fitting - Grease
AD-64	243A4714P64	Washer - Concave Tooth
AD-65	N22P21008B6	Bolt - 1/4-20 x 1/2 Hx. Hd.
AD-66	243A4714P66	Deflector - Elbow
AD-67	243A4714P67	Molding - Deflector
AD-68	N22P21012B6	Bolt - 1/4-20 x 3/4 Hx. Hd.
AD-69	N402AP43B6	Washer - 3/8 Flat
AD-70	243A4714P70	Nut - 1/4-20 Hex. Lock
AD-71	243A4714P71	Chute - Guard
AD-72	243A4716P1	Decal - Chute Warning
AD-73	243A4717P1	Decal - "Be Careful"
AD-74	243A4714P74	Assembly - Mounting Frame
AD-75	243A4714P75	Pin - Roller Locating
AD-76	211A3256P2	Pin - Hair Cotter
AD-77	243A4714P77	Spring - Extension
AD-78	243A4714P78	Rod - Crank
AD-79	243A4714P79	Assembly - Crank Rod Support (Comp.)
AD-80	211A3515P1	Decal - "Caution"
AD-81	211A3516P1	Decal - "Caution"

SNOW THROWER

Model AD38AA

<u>Ref. No.</u>	<u>Part No.</u>	<u>Description</u>
AD-1	127D8083G1	Header Housing Asm.
AD-2	247A7606P2	Scraper Blade
AD-3	243A4714P3	Carriage Bolt (1/4-20 x 5/8)
AD-4	N238P21C6	Nut & Lockwasher Asm. (1/4-20)
AD-5	178B8411P1	Shoe - Skip
AD-6	N657P23012B6	Carriage Bolt (5/16-18 x 3/4)
AD-7	N256P23C6	Nut & Lockwasher Asm. (5/16-18)
AD-8	244A7335P8	Stack Drive Bracket Asm.
AD-9	244A7335P9	Stack Drive Bracket
AD-10	244A7335P10	Cable Tube & Sleeve Asm.
AD-11	243A4714P12	Eye Bolt
AD-12	N402AP43B6	Flat Washer
AD-13	243A4714P14	Spring Washer
AD-14	247A7606P14	Lock Nut
AD-15	244A7335P15	U-Bolt
AD-16	244A7335P16	Strap Friction
AD-17	243A4714P70	Lock Nut
AD-18	N657P25016B6	Carriage Bolt (3/8-16 x 1)
AD-19	N256P25C6	Nut & Lockwasher Asm. (3/8-16)
AD-20	244A7335P20	Flat Washer
AD-21	247A7606P21	Auger Asm.
AD-22	247A7606P22	Auger Shaft
AD-23	244A7335P23	Auger Bearing
AD-24	244A7335P24	Collar Bearing Locking
AD-25	243A4714P20	Flanged Bearing
AD-26	247A7606P26	Hex-Head Bolt (5/16-18 x 5/8)
AD-27	247A7606P27	Lockwasher (5/16)
AD-28	247A7606P28	Sprocket, Auger
AD-29	244A7335P33	Plate, Auger Mounting
AD-30	N22P29020B6	Hex Head Bolt (1/2-13 x 1 1/4)
AD-31	N405P45C6	Lockwasher (1/2)
AD-32	247A7606P32	Chain, Auger Drive
AD-33	243A4714P32	Chain Guard
AD-34	N154P2408C	Screw, Washer Head
AD-35	247A7606P35	Housing & Bushing Asm., Jack Shaft
AD-36	247A7606P36	Jack Shaft Bushing
AD-37	243A4716P1	Decal, Chute Warning
AD-38	247A7606P38	Jack Shaft & Sprocket Asm.
AD-39	247A7606P39	Flat Washer
AD-40	247A7606P40	Woodruff Key
AD-41	247A7606P41	Pulley & Hub Asm.
AD-42	247A7606P42	Screw, Square Head (5/16-18 x 1)
AD-43	247A7606P43	Flat Washer
AD-44	247A7606P44	Hex Nut (1/2-13)
AD-45	247A7606P45	Nut, Half Hex (1/2-13)
AD-46	243A4714P57	Bottom Plug
AD-47	247A7397P2	Motor Mounting Brkt. (RH)
AD-48	247A7397P1	Motor Mounting Brkt. (LH)
AD-49	244A7335P70	Channel Brkt. Asm.
AD-50	N22P25020B6	Hex Head Bolt (3/8-16 x 1 1/4)
AD-51	243A4714P63	Fitting, Grease
AD-52	N405P43C6	Lockwasher (3/8)
AD-53	247A7606P53	Chain Anchor Brkt.
AD-54	247A7338P1	Lift Bracket Asm.
AD-55	247A7606P55	Motor Mounting Plate Asm.
AD-56	178B8170P1	Motor
AD-57	243A4714P36	Key



SNOW THROWER (Cont'd)

<u>Ref. No.</u>	<u>Part No.</u>	<u>Description</u>
AD-58	247A7391P1	Pulley & Hub Asm.
AD-59	247A7334G1	Cord Asm.
AD-60	244A7000P1	Circuit Breaker
AD-61	178B8299G1	Jumper Wire
AD-62	247A7606P62	Hex Head Bolt (3/8-16 x 2)
AD-63	247A7606P63	Hex Nut (3/8-16)
AD-64	243A4714P49	Lift Rod Clamp
AD-65	N22P21016B6	Hex Head Bolt (1/4-20 x 1)
AD-66	244A7335P63	Button, Plug
AD-67	N37P17016B6	Machine Screw (10-24 x 1)
AD-68	N213P23B6	Nut, Half Hex (5/16-18)
AD-69	N210P17B6	Hex Nut (10-24)
AD-70	N405P9C6	Lockwasher (#10)
AD-71	247A7606P71	Master Link Repair Kit
AD-72		
AD-73	247A7398P1	Pin Locating
AD-74	211A3256P2	Hair Pin Cotter
AD-75	247A7606P75	V-Belt
AD-76	247A7402P1	Motor Cover
AD-77	243A4714P67	Deflector Molding
AD-78	247A7606P78	Wing Nut (1/4-20)
AD-79	178B8410P1	Cover Pulley
AD-80	247A7606P80	Deflector & Elbow Asm.
AD-81	247A7606P81	Hex Head Bolt (1/4-20 x 1/2)
AD-82	243A4714P64	Washer Concave Tooth
AD-83	247A7606P83	Elbow Deflector
AD-84	247A7606P84	Hex Head Bolt (1/4-20 x 3/4)
AD-85	247A7606P85	Carriage Bolt 1/2-13 x 1 1/4
AD-86	247A7606P86	Lift Spring Hook
AD-87	243A4717P1	Decal "Be Careful"
AD-88	158C9015G1	Mounting Frame Asm.
AD-89	243A4714P75	Roller Locating Pin
AD-90	211A3256P2	Hair Pin Cotter
AD-91	247A7606P91	Chain Anchor Bracket
AD-92	247A7606P92	Chain & Toggle Asm.
AD-93	247A7606P93	Lift Spring
AD-94	178B8405G1	Crank Rod Support
AD-95	178B8407P1	Lower Mounting Brkt.
AD-96	244A7335P99	Crank
AD-97	244A7335P100	Handle Grip
AD-98	211A3505P20	Clevis Pin 1/2 x 1 3/4
AD-99	244A7335P101	Crank Extension
AD-A1	247A7541P1	Lift Bar
AD-A2	211A3515P1	Decal Caution
AD-A3	211A3516P1	Decal Caution
AD-A4	243A4937P1	Decal Circuit Breaker
AD-A5	N22P23020B6	Bolt, Hex Head (5/16-18 x 1 1/4)
AD-A6	247A7606A6	Flat Washer
AD-A7	N210P23B6	Hex Nut (5/16-18)
AD-A8	247A7606A8	Flat Washer

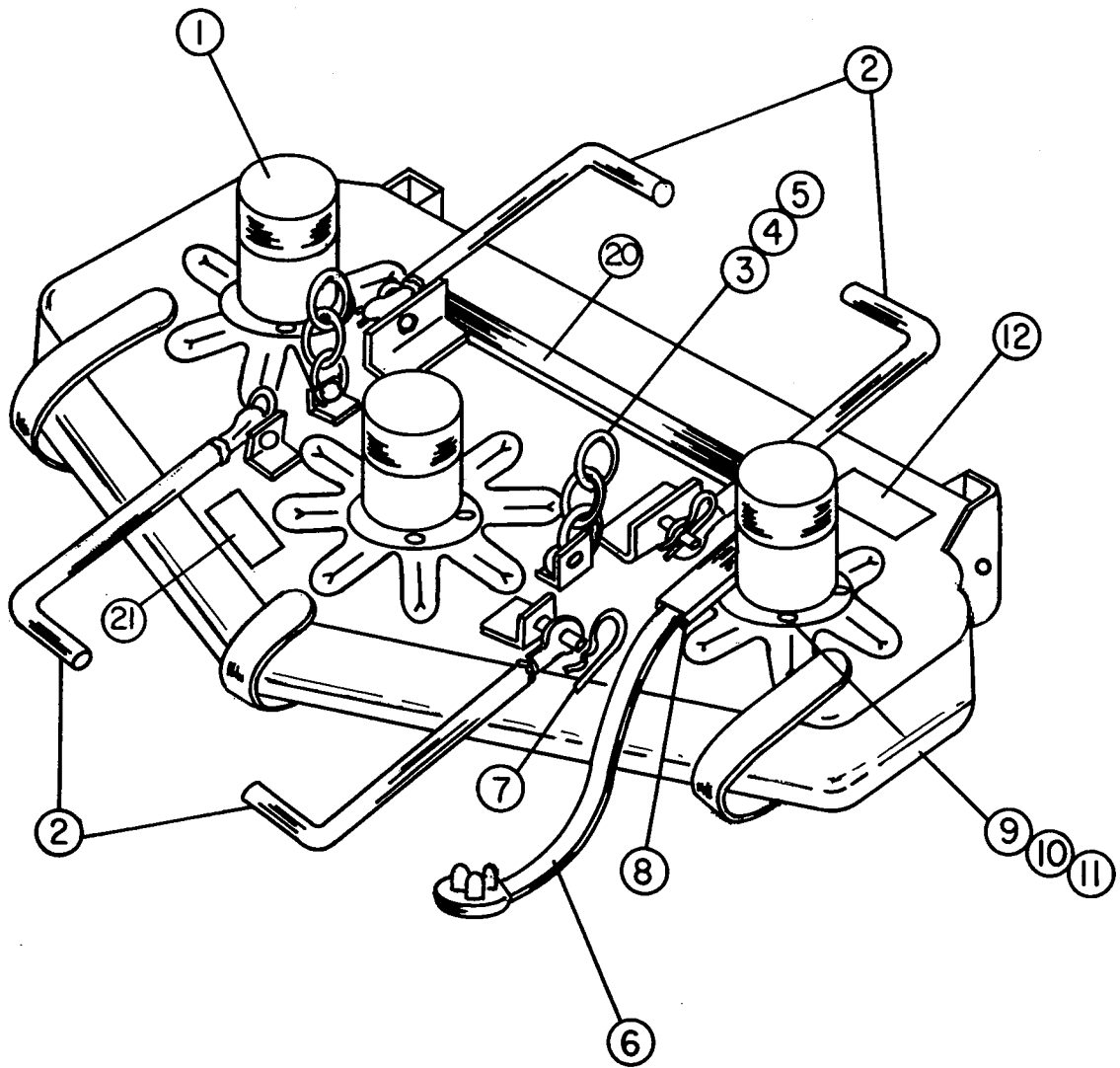


Fig. AC-8

12M-MID MOUNT ROTARY MOWER

<u>REF. NO.</u>	<u>PART NO.</u>	<u>DESCRIPTION</u>
MM-1	155C8075P1	MOWER MOTOR
MM-2	244A7073G1	ROD ASSEMBLY
MM-3	244A7082P1	CHAIN
MM-4	N402AP42B6	WASHER (5/16 DIA)
MM-5	N503P1012B6	COTTER PIN (7/64 X 3/4)
MM-6	178B8169G1	WIRE HARNESS
MM-7	243A4543P1	HAIR PIN COTTER
MM-8	155C8079P1	WIRE BOX
MM-9	N22P21014B6	BOLT (1/4-20 X 7/8)
MM-10	N210P21B6	NUT (1/4-20)
MM-11	N405P11C6	LOCKWASHER (1/4")
MM-12	211A3512P1	CAUTION DECAL
MM-13	163B9871P3	BLADE (NOT PICTURED)
MM-14	163B9932G2	CLUTCH ASM (NOT PICTURED)
MM-15	243A4577P2	CLUTCH BODY (PART OF MM-14)
MM-16	243A4576P1	WASHER, FIBRE (PART OF MM-14)
MM-17	243A4578P1	CLUTCH WASHER (PART OF MM-14)
MM-18	211A3564P3	SCREW, SELF LOCKING CAP (PART OF MM-14)
MM-19	211A3565P1	KEY (FURNISHED WITH MOTOR MM-1)
MM-20	541C909P1	WIRE COVER
MM-21	211A3513P1	CAUTION DECAL
MM-22	163B9947G2	REAR ROLLER ASM (CONSISTS OF MR-3, MR-4, MR-5, MR-6, MR-35)

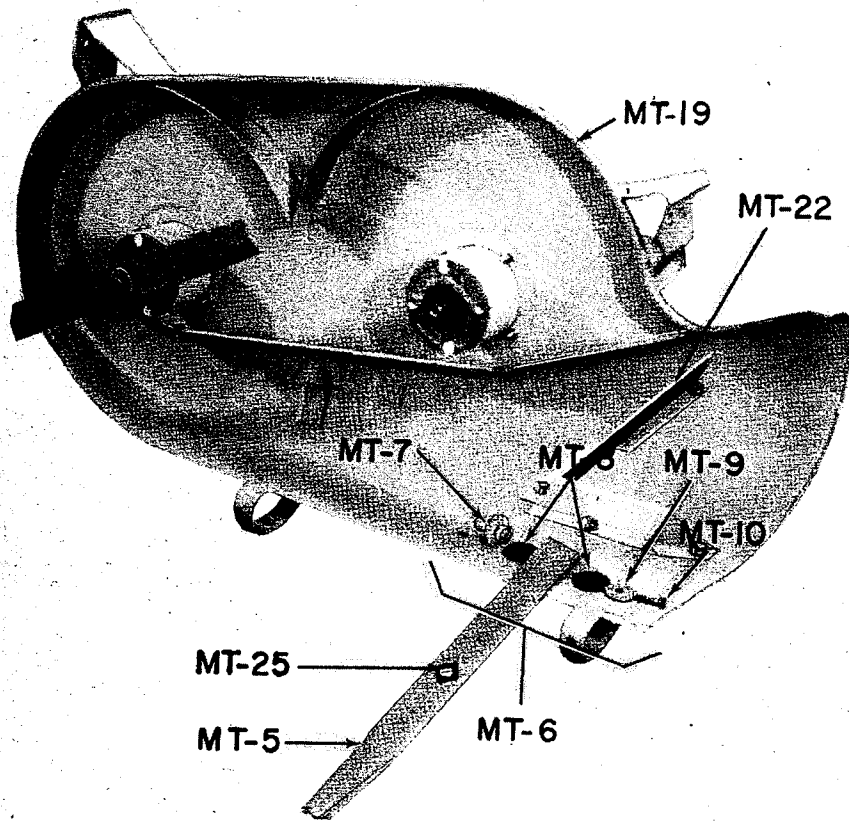
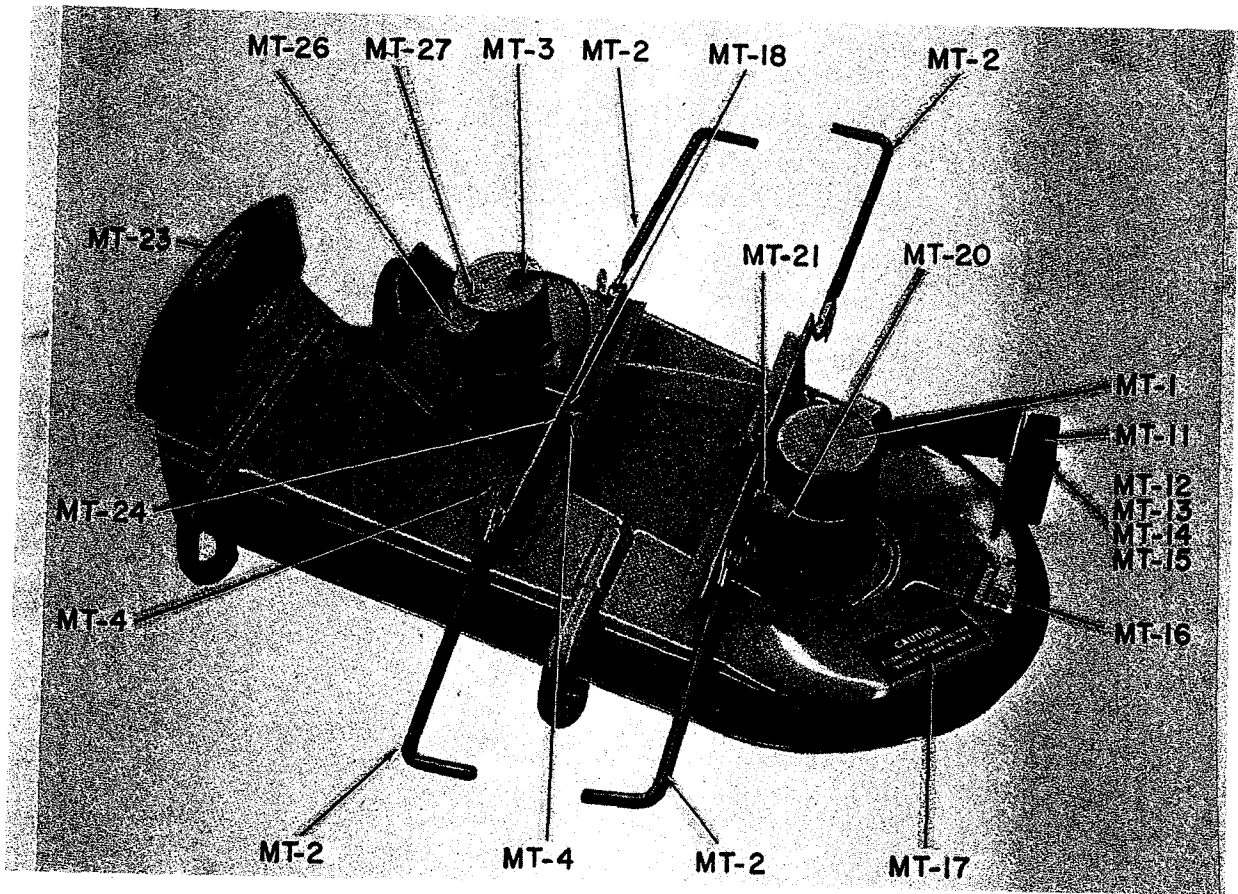


Fig. AC-9

E8M - E10M ROTARY MOWER - MID MOUNT

<u>Ref. No.</u>	<u>Part No.</u>	<u>Description</u>
MT-1	155C8086P1	Mower Motor
MT-2	244A7073G1	Rod Assembly
MT-3	247A7351G1	Wiring Harness
MT-4	243A4543P1	Hair Pin Cotter
MT-5	178B8175P1	Mower Blade (30 ^o) High Discharge
	178B8175P2	Mower Blade (15 ^o) Low Discharge
MT-5	178B8497P1	Mower Blade (30 ^o) High Discharge EA, FA, GA
	178B8497P2	Mower Blade (15 ^o) Low Discharge Model EA, FA, GA
MT-6	163B9932G2	Clutch Asm.
MT-7	243A4577P2	Clutch Body
MT-8	243A4576P1	Washer, Fibre
MT-9	243A4578P1	Clutch Washer
MT-10	211A3564P3	Screw, Self Locking Cap
MT-11	244A7145P1	Wheel
MT-12	N22P25044B6	Bolt, Hex
MT-13	N210P25B6	Nut
MT-14	N402AP43B6	Washer
MT-15	N405P13C6	Lockwasher
MT-16	211A3512P1	Caution Decal
MT-17	244A7325P1	Caution Decal
MT-18	N402AP43B6	Washer
MT-19	587E960G1	Housing Ass.
MT-20	247A7400P1	Clamp
MT-21	247A7399P1	Mower Motor Brake Model EA, FA, GA
MT-22	158C9045P1	Baffle Model EA, FA, GA
MT-23	247A7595G1	Foot Guard Asm. Model EA, FA, GA
MT-24	211A3589P1	Grommet
MT-25	247A7552P1	Insert Model EA, FA, GA
MT-26	211A3530P2	Circuit Breaker
MT-27	244A7203P1	Screw
MT-28	243A4600P1	Pin Housing
MT-29	243A4596P1	Socket Housing (Located on Tractor Cable Harness)

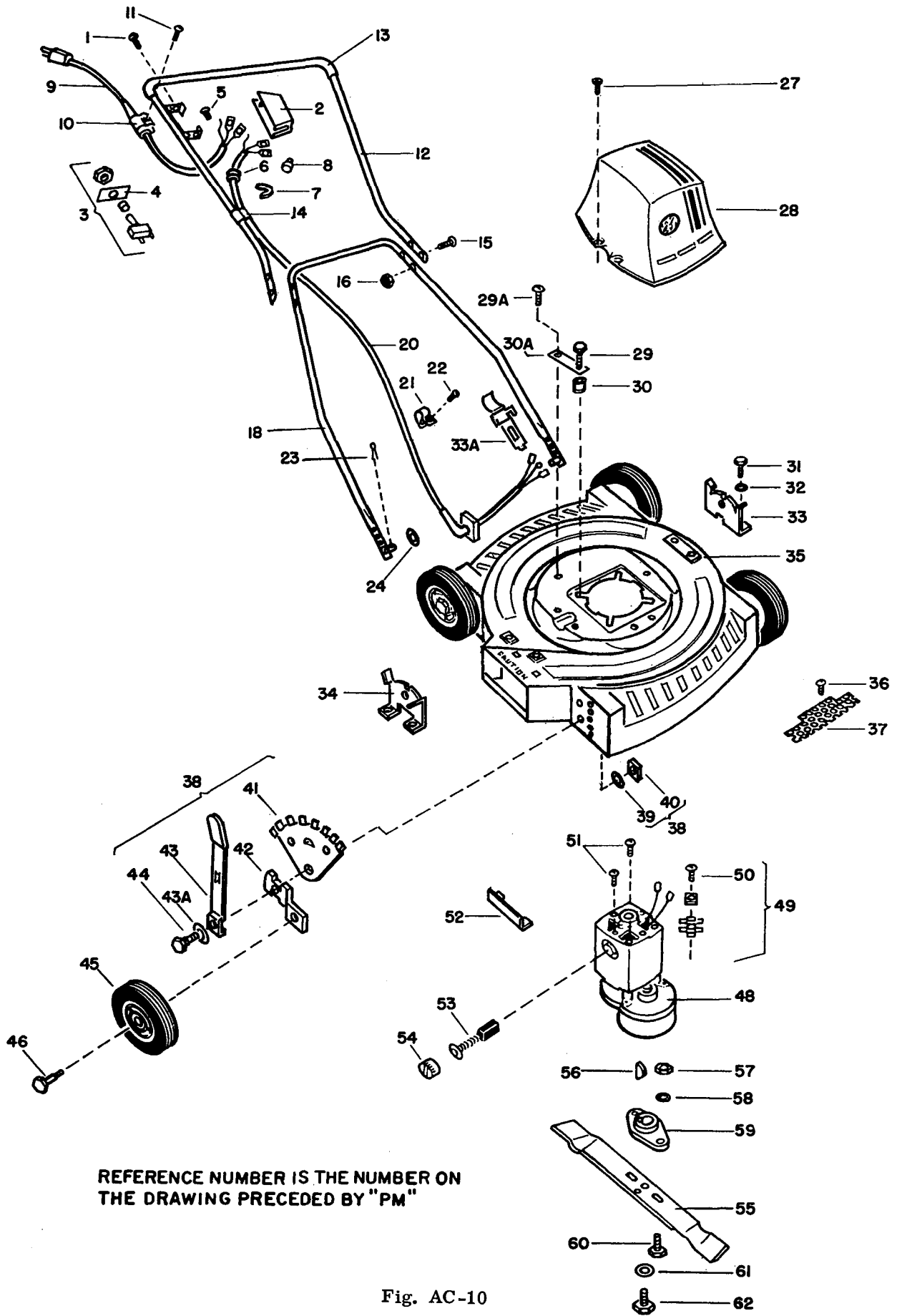


Fig. AC-10

ELEC-TRAK LAWNMOWER - WALK BEHIND

Model PM32B

<u>Ref. No.</u>	<u>Part No.</u>	<u>Description</u>
PM-1	XX2014	Screw (Holds Key 2)
PM-2	XL8419	Switch Housing
PM-3	XL8070	Switch (Less Key 4)
PM-4	XL8083	Escutcheon (For Switch)
PM-5	XX2026	Terminal Screw
PM-6	XX778	Grommet
PM-7	XL8073	Strain Relief
PM-8	XX730	Wire Connector
PM-9	XL8234	Cord Set & Plug
PM-10	XL8063	Clip (Holds 9 to 12)
PM-11	XX2056	Screw (Holds 10 to 12)
PM-12	XL8239	Handle Tube & Sleeve
PM-13	XL8101	Sleeve
PM-14	XL8015	Clip (Holds Key 20 to 12)
PM-15	XL8074	Bolt
PM-16	XX3027	Nut
PM-18	XL8240	Handle Tube (Lower)
PM-20	XL8233	Cord Set (From Switch to Motor)
PM-21	XX782	Cord Clamp
PM-22	XX1005	Screw
PM-23	XX772	Cotter Pin
PM-24	XX5050	Washer
PM-27	XX2006	Screw
PM-28	XL8225	Motor Cover
PM-29	XL8026	Bolt
PM-30	XL8016	Grommet & Washer
PM-31	XX1131	Bolt
PM-32	XX5053	Lockwasher
PM-33	XL8191	Handle Bracket
PM-33A	XL8218	Latch
PM-34	XL8213	Handle Bracket (Chute Side)
PM-35	XL8228	Base Assembly
PM-36	XX2016	Screw
PM-37	XL8146	Screen
PM-38	XL8189	Wheel Height Adjuster (Reversible)
PM-39	XX5080	Lockwasher
PM-40	XX5076	Nut
PM-41	XL8209	Bracket
PM-42	XL8241	Lever
PM-43	XL8211	Wheel Handle
PM-43A	XX5081	Washer
PM-44	XL8242	Shoulder Bolt
PM-45	XL8221	Wheel
PM-46	XL8243	Wheel Bolt
PM-48	XL9000B	Drive Unit (Sold on Exchange Basis Only)
PM-49	XL8010	Terminal Board Kit
PM-50	XX1005	Screw
PM-51	XX1005	Screw
PM-52	XL8103	Baffle
PM-53	XL8031	Carbon Brush & Spring
PM-54	XL8032	Brush Cap
PM-55	XL8138	Blade
PM-56	XL8028	Drive Key
PM-57	XX3038	Adapter Nut
PM-58	XX5064	Lockwasher
PM-59	XL8144	Blade Adapter
PM-60	XX1130	Adapter Bolt
PM-61	XX5068	Lockwasher
PM-62	XL8011	Center Bolt

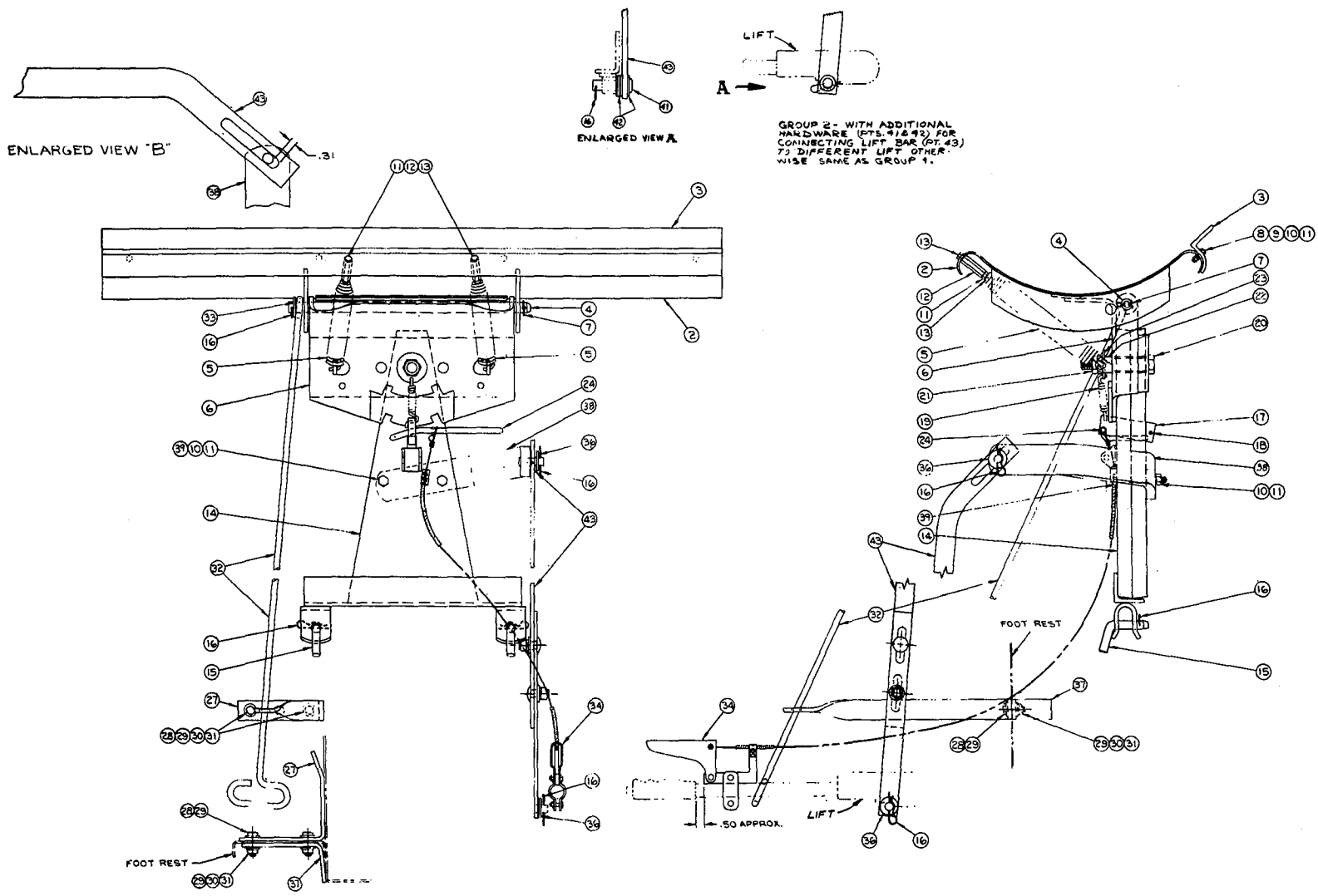


Fig. AC-11

42" SNOW/DOZER BLADE

<u>Ref. No.</u>	<u>Part No.</u>	<u>Description</u>
AB-2	243A4890G2	Blade Asm.
AB-3	178B8059P2	Wear Bar
AB-4	243A4891P2	Pivot Rod
AB-5	243A4892P1	Spring, Blade Trip
AB-6	243A4893G1	Pivot Plate Asm.
AB-7	N503P1520B6	Cotter Pin
AB-8	N62P25016B6	Bolt, Carriage (3/8-16 x 1)
AB-9	N402AP43B6	Washer (3/8)
AB-10	N405P13C6	Lockwasher (3/8)
AB-11	N258P25B6	Hex Nut (3/8-16)
AB-12	243A4894P1	Coupler Nut
AB-13	N22P25024B6	Hex Bolt (3/8-16 x 1.5)
AB-14	155C8009G2	Push Tube Asm.
AB-15	243A4895P1	Drilled Pin
AB-16	243A4543P1	Hair Pin Cotter
AB-17	243A4896P1	Pivot Bar Lock
AB-18	N533P2516B	Spring Pin
AB-19	243A4897P1	Spring, Angle Lock
AB-20	N22P35072B6	Hex Bolt (3/4-10 x 4.50)
AB-21	N213P35B6	Hex Nut (3/4-10)
AB-22	243A4898P1	Spacer
AB-23	243A4899P1	Washer
AB-24	178B8081P1	Handle, Bar Lock
AB-27	178B8259P1	Support Angling Rod
AB-28	N22P23018B6	Hex Bolt (5/16-18 x 1 1/8)
AB-29	N402AP72B6	Washer (5/16)
AB-30	N405P12C6	Lockwasher (5/16)
AB-31	N210P23B6	Hex Nut (5/16-18)
AB-32	178B8255P1	Angling Rod
AB-33	N402AP48B6	Washer (3/4)
AB-34	178B8268G1	Bar Lock Release Cable
AB-36	N402AP45B6	Washer (1/2)
AB-37	178B8287P1	Support Bracket
AB-38	247A7384G1	Lift Bracket Asm.
AB-39	N22P25052B6	Hex Bolt (3/8-16 x 3.25)
AB-41	211A3505P20	Clevis Pin
AB-42	N402AP15B6	Washer (1/2)
AB-43	178B8463G1	Lift Bar Asm.

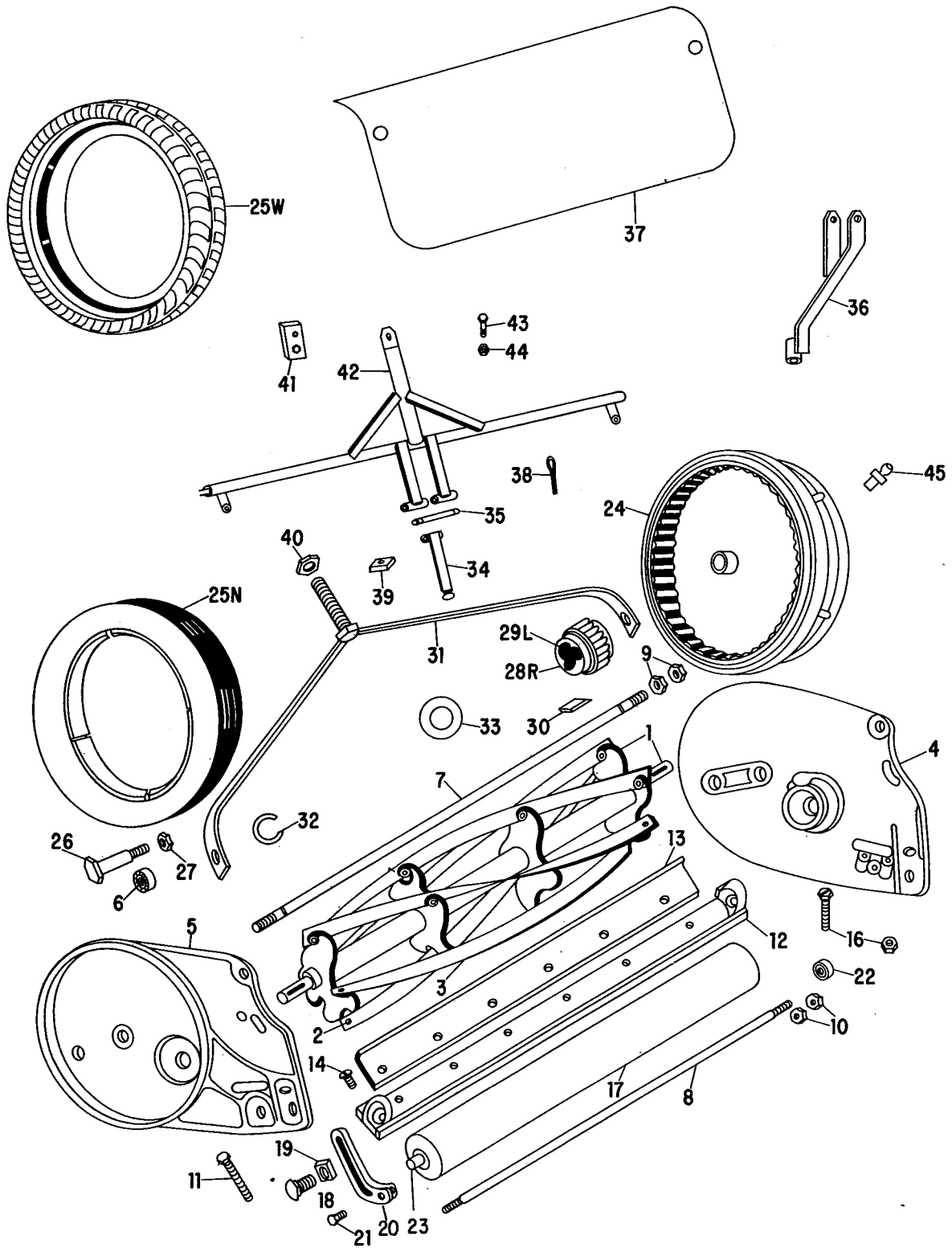


Fig. AC-12

FRONT MOUNTED 56" GANG MOWER

Model AR 56

When ordering parts, always include parts number and full description.

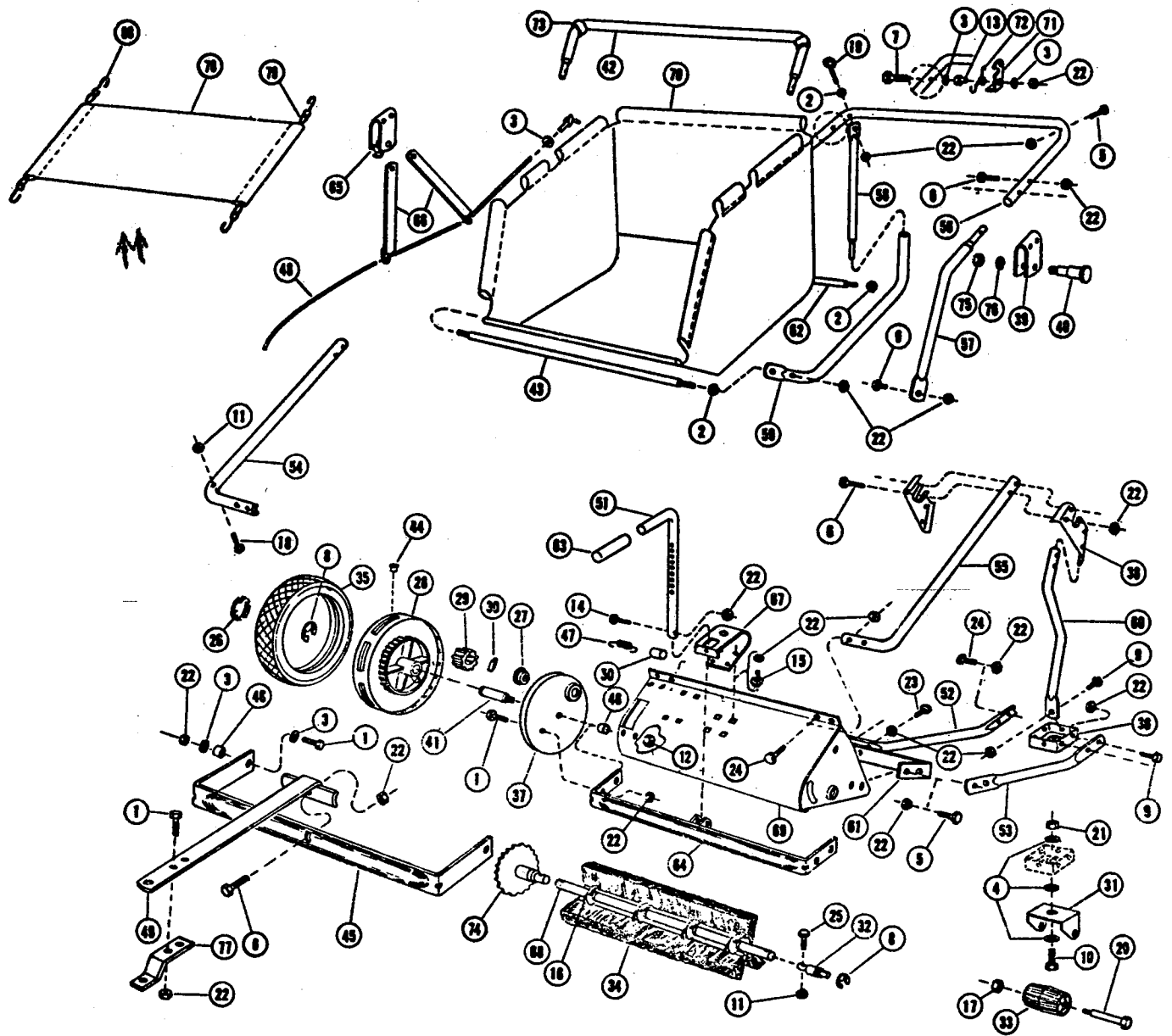
Send orders direct to: Roxy Bonner, Inc.
2000 Pioneer Road
Huntingdon Valley, Pennsylvania 19006

or call: Area Code (215) 675-6869 - Parts

All parts are shipped F.O.B. Huntingdon Valley, Pennsylvania, with terms of net 30 days.

Roxy Bonner warrants its mowers solely against defects in material and workmanship under normal use and service, the obligation under this warranty being limited to making good, at the factory, any parts thereof which shall, within one year after delivery to customer, be returned to company with transportation charges prepaid. This warranty does not apply to any used Roxy mowers or to units repaired or altered in other than company approved shops.

<u>Ref. No.</u>	<u>Part No.</u>	<u>Description</u>
AR-1	6100	Reel Assembly 21"
AR-2	R3-3.5	Reel Blade Rivet
AR-3	6103	Reel Blade
AR-4	6187	Side Plate R - Wide Wheel
AR-5	6188	Side Plate L - Narrow Wheel
AR-6	9400	Side Plate Bearing
AR-7	6128	Tie Rod 5/8, swaged on end
AR-8	6106	Tie Rod 1/2
AR-9	NF-10F	5/8 Jam Nut
AR-10	NF-8F	1/2 Jam Nut
AR-11	B6-12	Side Plate to Cutter Bar Bolt 3/8 x 1 1/4 Hx.
AR-12	6189	Castback
AR-13	6111	Bedknife
AR-14	BK2-12	Bedknife Screws 1/4 x 1/2
AR-15	B05-12	Adj. Screw, Front, 1 1/4
AR-16	B05-14/N5	Adj. Screw, Rear 1 1/2/Locknut 5/16 x 1/2
AR-17	6115	Roller - Less Brg.
AR-18	BJ6-10	Roller Bracket Bolt 3/8 x 1
AR-19	NA-6	Square Nut 3/8
AR-20	6022	Roller Bracket
AR-21	BR4-4	Set Screw 1/4 x 1/2
AR-22	9402	Bearings for Roller
AR-24	6197	Wide Wheel
AR-25W	9408	Wide Tire
AR-25N	9403	Narrow Tire
AR-26	9422	Wide Wheel Stud
AR-26	6119	Narrow Wheel Stud
AR-27	NF-8F	Nut for Wheel Stud 1/2 Hex
AR-28	6123	Pinion, Right
AR-29	6121	Pinion, Left
AR-30	6122	Wheel Pinion Pawl
AR-31	6127	Towing Asm, with Tie Rod 6128
AR-32	9414	Snap Ring, Wh. Shaft
AR-33	6129	Narrow Washer in 6127
AR-34	6140	Extension Arm
AR-35	6066	Extension Arm Pin
AR-36	6515	Hitch for Single Mower Unit
AR-37	6482	Deck
AR-38	C4-10	Cotter Pin 1/8 x 1
AR-39	NA-10	Square Nut 5/8
AR-40	ND-10	Lock Nut 5/8
AR-41	-----	Not Required for Elec-Trak
AR-42	6147	Main Frame
AR-43	B8-24	Hitch Bolt 1/2 x 2 1/2
AR-44	ND8	Lock Nut 1/2
AR-45	9424	Grease Fitting in Wheel



AS

TRAILING LAWN SWEEPER

Model AS 31

General Electric Elec-Trak tractor dealers should contact closest Lambert parts distributor to obtain replacement parts for AS 31.

When ordering parts, always specify model number, part number and description. Send your order direct to:

<u>State</u>	<u>Distributor</u>	<u>Address</u>
California	Tarzana Mower & Engine Parts, Inc.	6075 Reseda Boulevard Reseda, California 91335
Colorado	South Denver Auto Parts & Service	527 West Evans Denver, Colorado 80223
Illinois	Bob's Garden Center	9641 West Grand Avenue Franklin Park, Illinois 60131
Indiana	Roy's Service Shop	R. R. #7, Box 19 Anderson, Indiana 46011
Massachusetts	Morton B. Collins Co.	300 Birnie Avenue Springfield, Massachusetts 01107
Michigan	Wilson's Hardware & Lawn Supplies	1285 W. Eight Mile Road Detroit, Michigan 48203
Minnesota	Ed McDevitt Company	3387-93 Brownlow Avenue Minneapolis, Minnesota 55426
New Jersey	Repair City Corporation	67 East Ridgewood Avenue Paramus, New Jersey 07652
New York	W. J. Norton's Service, Inc.	359 Court Street Binghamton, New York 13904
	C&B Lawnmower & Kart Service	2990 Seneca Street West Seneca, New York 14224
Pennsylvania	Scranton Auto Ignition Co.	1133 Wyoming Avenue Scranton, Pennsylvania 18500
Utah	A-1 Engine & Mower Co.	437 East Ninth, South Salt Lake City, Utah 84111
Washington	Bailey Rebuild, Inc.	1325 East Madison Street Seattle, Washington 98122
Wisconsin	Schlafer Supply Company	115 West College Avenue Appleton, Wisconsin 54911
	Bill's Hardware, Inc.	13885 West Capitol Drive Brookfield, Wisconsin 53005
Canada	Addison Equipment, Ltd.	915 Oxford Street Toronto, Ontario

TRAILING LAWN SWEEPER

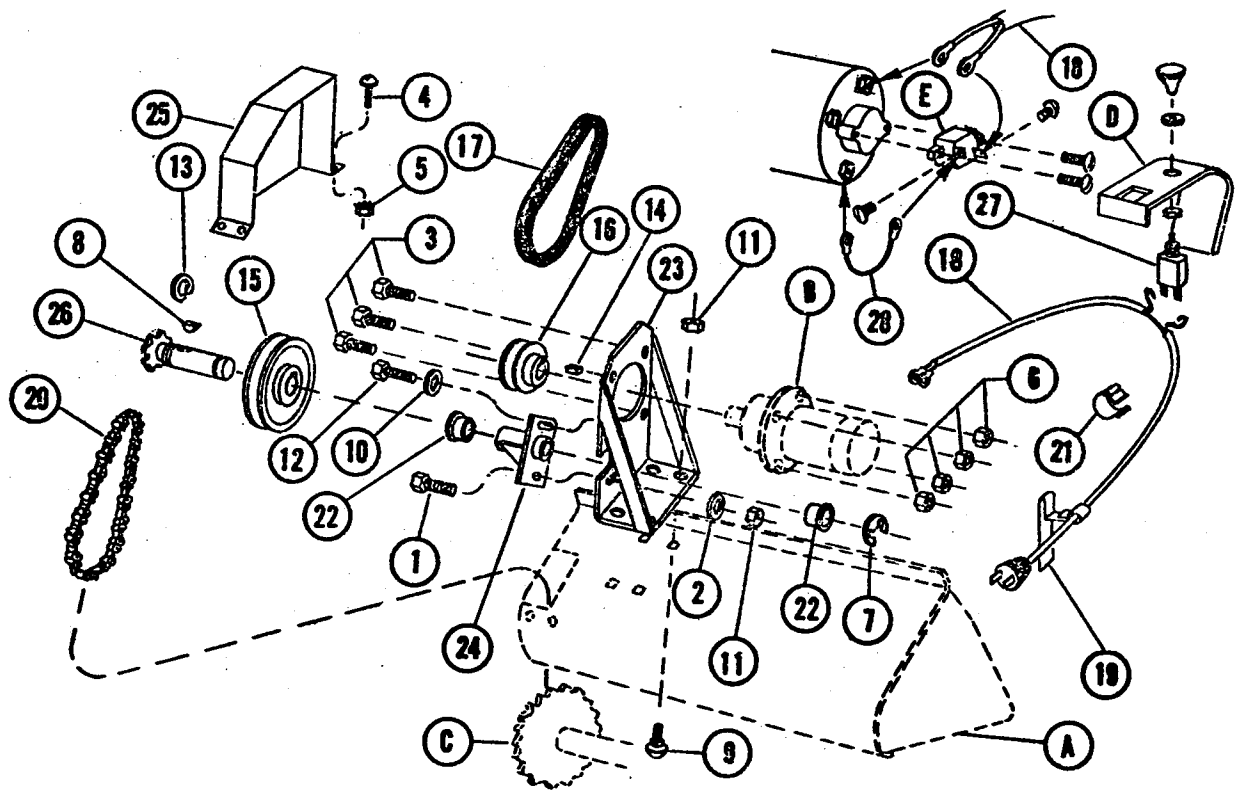
Model AS 31

<u>Ref. No.</u>	<u>Part No.</u>	<u>Description</u>
AS-1	L-59	5/16-18 x 3/4 Hex Cap Screw
AS-2	L-60	5/16-18 Hex Nut
AS-3	L-99	5/16" S.A.E. Flat Washer
AS-4	L-64A	1/2" S.A.E. Flat Washer
AS-5	L-80	5/16-18 x 1 Hex Cap Screw
AS-6	L-81	5/16-18 x 1 1/4 Hex Cap Screw
AS-7	L-127	5/16-18 x 1 1/2 Hex Cap Screw
AS-8	L-262	5/8" E-Type Ret. Ring
AS-9	L-279	5/16-18 x 1/2 Hex Cap Screw
AS-10	X-1258	1/2-13 x 1 1/4 Hex Cap Screw
AS-11	L-303	1/4-20 Lock Nut
AS-12	L-5486M	3/9-24 Lock Nut (Spec.)
AS-13	L-5552	5/16-18 Pilot Nut (Spec.)
AS-14	X-1027	5/16-18 x 1 3/4 Hex Cap Screw
AS-15	X-1042	5/16-18 x 5/8 Carr. Bolt (Spec.)
AS-16	X-1043	Brush Holder Spring
AS-17	X-1127	3/8-24 Lock Nut
AS-18	X-1234	1/4-20 x 1 Eye Bolt
AS-19	X-1235	5/16-18 x 2 3/4 Eye Bolt
AS-20	X-1293	Caster Stud
AS-21	X-1353	1/2-13 Lock Nut
AS-22	X-1107	5/15-18 Lock Nut
AS-23	X-1358	5/16-18 x 1 1/4 Tube Bolt
AS-24	X-1359	5/16-18 x 1 Tube Bolt
AS-25	X-2020	1/4-20 x 1 Hex Cap Screw
AS-26	L-5471B	Hub Cap
AS-27	L-5497A	Freeway Bearing
AS-28	L-5750A	Die Cast Wheel Assembly
AS-29	L-5753H	Pinion Gear
AS-30	L-5761H	Pinion Pawl
AS-31	1-1640	Caster Bracket
AS-32	1-1179	Brush Stud Axle
AS-33	1-1633	Caster Roller
AS-34	1-1421	Brush Strip
AS-35	1-1637	10 x 2.25 Tire
AS-36	1A-1638	Caster Plate Assembly
AS-37	1-1428	Wheel Shield
AS-38	1-1429	Frame Pivot Bracket
AS-39	1-1430	Pivot Bracket
AS-40	1-1443	Pivot Pin
AS-41	1-1444	Wheel Stud
AS-42	1-1454	Pivot Stand Tube
AS-43	1-1455	Hamper Tie Rod
AS-44	L-288	Oiler
AS-45	1-1817	"U" Bar
AS-46	1-1458	Spacer (Axle)
AS-46	1-1526	Spacer (Hitch)
AS-47	1-1465	Adjustment Spring
AS-48	1-1467	Dump Rope
AS-49	1A-1782	Hitch Tongue
AS-50	1-1474	Retainer Tube
AS-51	1-1479	Adjustment Tube
AS-52	1-1601	Pivot Stand Brace
AS-53	1-1825	Pivot Stand Brace
AS-54	1-1488	Pivot Stand Tube R.

TRAILING LAWN SWEEPER (Continued)

Model AS 31

<u>Ref. No.</u>	<u>Part No.</u>	<u>Description</u>
AS-55	1-1489	Pivot Stand Tube L.
AS-56	1-1493	Top Hamper Tube
AS-57	1-1495	Side Hamper Tube
AS-58	1-1496	Hamper Tube
AS-59	1-1497	Bottom Tube
AS-60	1-1602	Pivot Support R.
AS-60	1-1603	Pivot Support L.
AS-61	1-1770	Stiffener
AS-62	1-1519	Rear Hamper Rod
AS-63	1-1522B	Handle Grip
AS-64	1A-1780	Bumper Assembly
AS-65	1A-1484	Bracket Assembly
AS-66	1A-1440	Lever Assembly
AS-67	1A-1823	Adjustment Bracket
AS-68	1A-1419	Brush Axle Assembly
AS-69	1A-1791	Shield Assembly
AS-70	1A-1818	Hamper Assembly
AS-71	1-1537	Hamper Latch
AS-72	1-1538	Latch Spring
AS-73	1-1604	Rubber Sleeve
AS-74	1A-1408	Drive Sprocket Assembly
AS-75	X-1126	3/8-24 Hex Nut
AS-76	X-1070	3/8" Lock Washer
AS-77	1-1553	Hitch Pin Bracket
AS-78	1A-1562	Wind Apron
AS-79	1A-1605	Stretch Cord
AS-80	X-1361	Cord Hook



KS

LAWNSWEEPER MOTOR KIT

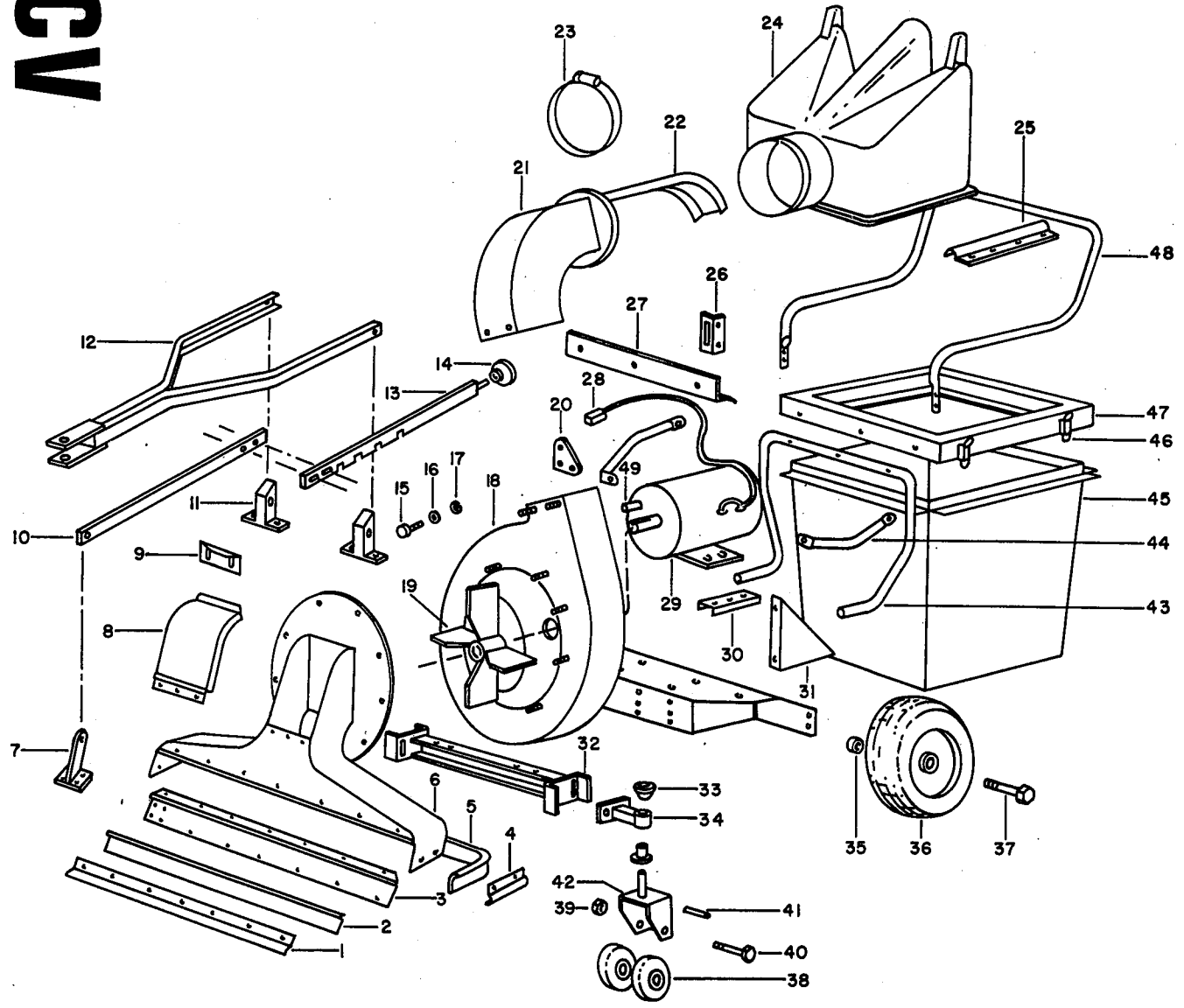
Model KS 31

When ordering parts, always specify model number, quantity and description in detail.

Send orders direct to your nearest Lambert dealer (see AS 31 for a listing). For the motor kits KS 32 which is required in conjunction with the KS 31 kit, contact outdoor power equipment, Schenectady, New York.

<u>Ref. No.</u>	<u>Part No.</u>	<u>Description</u>
1	L-59	5/16-18 x 3/4 Hex Cap Screw
2	L-99	5/16" S. A. E. Flat Washer
3	L-172	1/4-20 x 3/4 Hex Cap Screw
4	L-242A	#10-24 x 1/2 Rd. Head Mach. Sc.
5	L-242B	#10-24 Kep-Nut
6	L-303	1/4-20 Lock Nut
7	X-1003	3/4" E-Type Ret. Ring
8	X-1008	#9 Woodruff Key
9	X-1042	5/16-18 x 5/8 Carr. Bolt
10	X-1099	1/4" S. A. E. Flat Washer
11	X-1107	5/16-18 Lock Nut
12	X-1182	1/4-20 x 1 1/4 Hex Cap Screw
13	X-1363	3/4" Crescent Ring
14	X-1394	5/32 Sq. x 1/2" Key
15	1-1804	5" O.D. A-Sect. Pulley
16	1-1805	2 1/2" O.D. A-Sect. Pulley
17	1-1806	20" A-Sect. Belt
18	1-1808	10' Cord W/Switch & Rec.
19	1-1809	Cord Clip
20	1-1810	#65-46 Pitch Chain
21	4-10146	Cord Clamp
22	4-10697	Jackshaft Bushing
23	1A-1794	Mounting Bracket Ass'y.
24	1A-1798	Jackshaft Mounting Ass'y.
25	1A-1801	Belt Guard
26	1A-1803	Jackshaft Ass'y.
27	1A-1824	On-Off Switch
28	1A-1830	Circuit Breaker Wire

GV



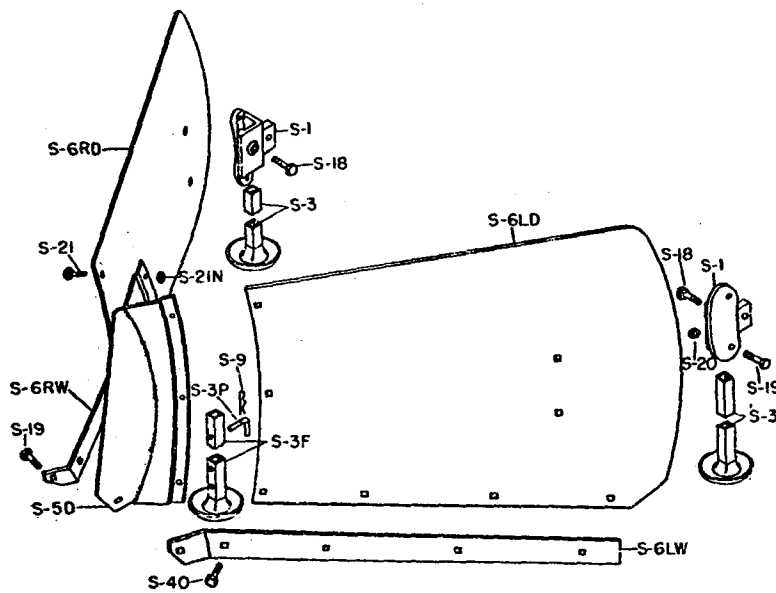
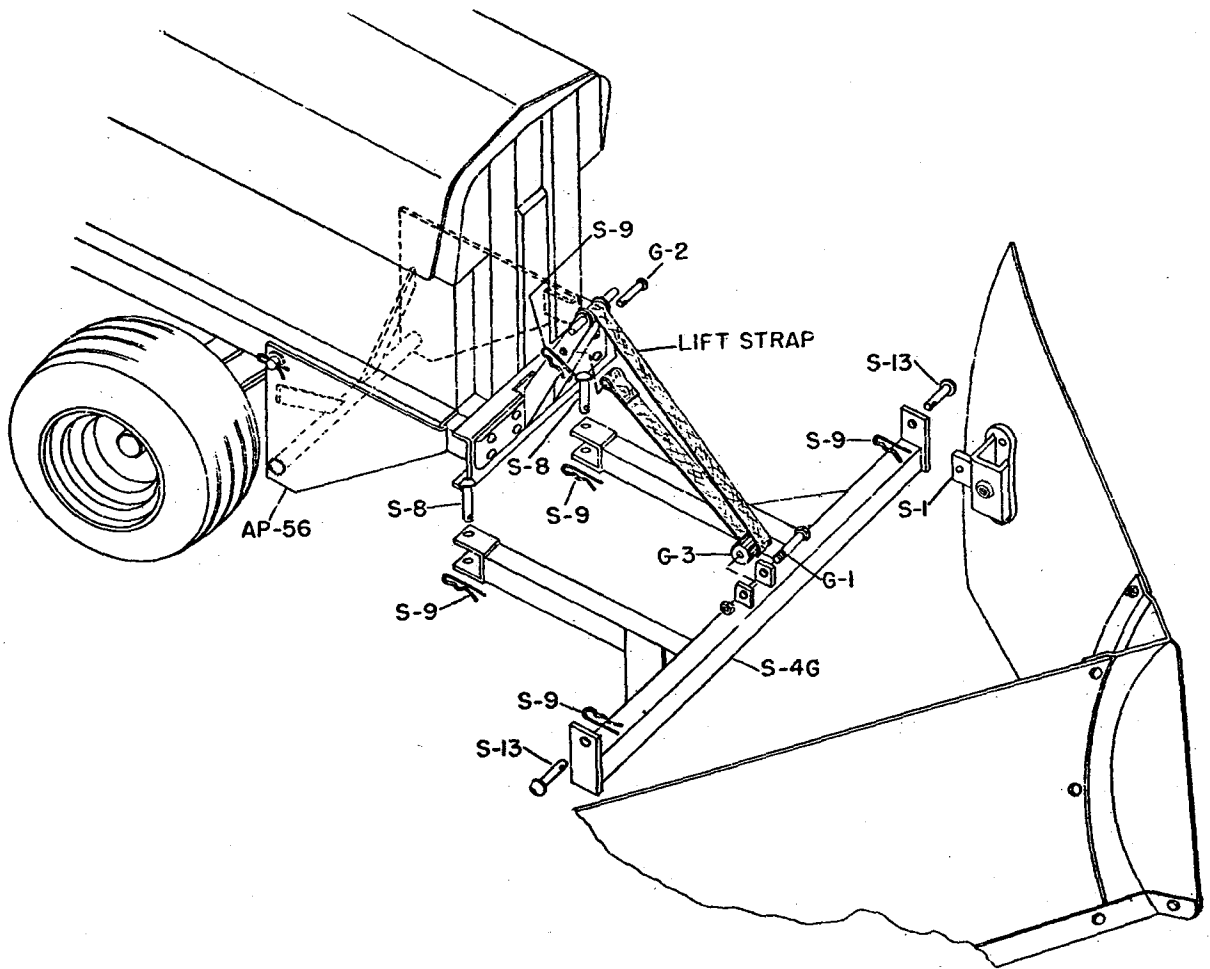
VACUUM
Model CV 60

When ordering parts, always specify model number, quantity, and description in detail.

Send orders direc to: Ecology Products
Tariffville, Connecticut

or call: Area Code (203) 658-2226

<u>Ref. No.</u>	<u>Part No.</u>	<u>Description</u>
1	60352-0	Clamping Strip Front and Rear
2	60351	Skirt, Door
3	40111-0	Door Assembly
4	60353-0	Clamping Strip Side
5	60350	Skirt - Rear and Side
6	40103-0	Intake Housing
7	40222-0	Bracket Assembly
8	40109-0	Cover Assembly
9	60018-0	Lever, Lower
10	60218-0	Latch
11	40375-0	Tow Bracket
12	40379-0	Tow Bar
13	60219-0	Lever Upper
14	60244	Knob
15	60077	Bolt 5/16-24 x 1 3/4
16	60076	Washer 5/16 Lock
17	60075	Washer 5/16 Flat
18	40388	Housing Assembly
19	40079	Impeller 12" Dia.
20	60486-0	Plate, Brace
21	40138-0	Chute Assembly
22	60144-0	Deflector
23	60149	Clamp 8"
24	60233	Venting Bag
25	60285	Clamping Strip
26	60221	Bracket, Lever Locking
27	60281	Guide Angle
28	40404	Wiring Harness
29	60391	Motor G. E.
30	60095-0	Riser Channel
31	60392-0	Brace Housing to Base
32	40118-0	Carrier Bar Assembly
33	60131	Bearing
34	40126	Caster Extension
35	60025	Nut, Lock 5/8-18
36	60359	Wheel Pneumatic 10"
37	60029	Bolt 5/8-18 x 3 3/4
38	60026	Wheel 5" Dia.
39	60025	Nut, Lock 3/8-16
40	60024	Bolt 3/8-16 x 4
41	60023	Sleeve Axle
42	40125-0	Caster Bracket
43	60229	Handle Lower
44	60139	Brace
45	40288	Container
46	60290	Catch
47	40279-0	Frame Assembly Container
48	60230	Handle Upper



BV

V-PLOW
Model BV 48

When ordering parts, always specify model number, quantity, and description in detail.

Send orders direct to: Lantz Manufacturing Division
 Superior Implement and Supply Co.
 Greenville, Ohio 45331

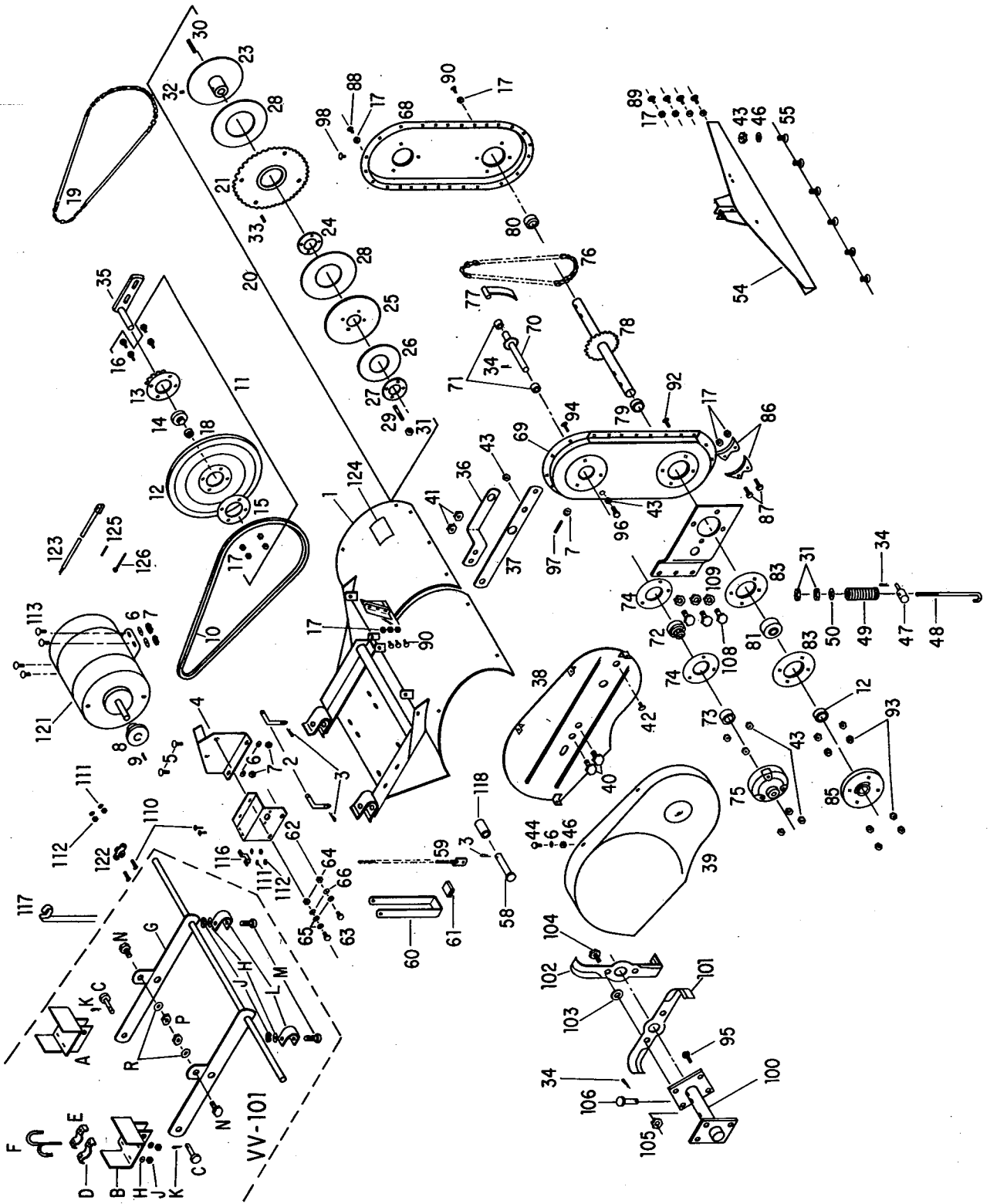
or call: Area Code (513) 548-2171

<u>Part No.</u>	<u>Description</u>
S-5D	Center Nosepiece
S-6LD	Left Blade Section, Deluxe
S-6RD	Right Blade Section, Deluxe
S-6LW	Left Wear Edge
S-6RW	Right Wear Edge
S-1	Main Frame Mounting Brackets
G-1	Cap Screw and Grip Nut, 3/8" x 2-3/4"
G-2	Clevis Pin, 5/16" x 2-1/2"
G-3	Plastic Sleeve, 2" Long
S-19	Carriage Bolt, 5/16" x 1"
S-20	Grip Nuts for 5/16" Dia. Bolts
S-21	Carriage Bolt, 1/4" x 1/2"
S-21N	Grip Nuts for 1/4" x 1/2"
S-40	Carriage Bolts, 5/16" x 3/4"
S-4G	Main Frame
S-8	Clevis Pins, 3/8" x 1-7/8"
S-13	Clevis Pins, 1/2" x 1-27/64"
S-9	Hairpin Clips for Clevis Pins

OPTIONAL GAUGE SHOE KIT

Model KS 30

<u>Part No.</u>	<u>Description</u>
S-3	Gauge Shoe, Side
S-3F	Gauge Shoe, Front
S-3P	Front Gauge Shoe Pin
S-18	Cap Screw, 3/8" x 3/4"
S-9	Hairpin Clip



VV

ROTARY TILLER

Model VV 100

When ordering parts, always include part number and full description.

Send orders direct to:

Brinly-Hardy Company, Inc.
340 E. Main Street
Louisville, Kentucky 40202

or call: Area Code (502) 585-3351

<u>Ref. No.</u>	<u>Part No.</u>	<u>Description</u>
VV-1	V-114	Shroud Assembly
VV-2	B-1610P	Pin, Drilled 5/8" D.
VV-3	D-146P	Hair Pin Cotter 1/8" x 1 7/8"
VV-4	V-126	Shield, Belt-Motor
VV-5	1M1016P	Hex Hd. Bolt, 5/16-18 x 1"
VV-6	40M1000P	Lockwasher 5/16"
VV-7	30M1000P	Hex Nut 5/16"
VV-8	V-127	Pulley, Driver with Set Screw
VV-9	V-158	Key 3/16" Sq. x 1 1/4"
VV-10	V-131	V Belt
VV-11	V-132	Pulley & Sprocket Assy (Mech. Assm.)
VV-12	V-133	Pulley - 11"
VV-13	V-134	Sprocket & Cup Assy
VV-14	V-137	Bearing 3/4" Sealed
VV-15	V-138	Washer, Reinforcing
VV-16	2M0810P	Hex Bolt 1/4"-20 x 5/8"
VV-17	B-1673P	Hex Lock Nut 1/4"-20
VV-18	V-139	Lock Collar 3/4"
VV-19	V-145	Roller Chain, ASA-50
VV-20	V-322	Sprocket-Torque Limiter Assy (Mech. Ass'm.)
VV-21	V-323	Sprocket Assembly with Bushing
VV-23	V-326	Hub Assembly
VV-24	V-329	Ring, Spacer
VV-25	V-330	Disc. Outer
VV-26	V-331	Spring, Washer
VV-27	V-332	Ring, Spring Deflector
VV-28	V-333	Clutch, Disc
VV-29	V-334	Stud, Spec. 3/8" D.
VV-30	V-335	Key, Sq. (1/4" Sq. x 1 3/4")
VV-31	30M1200P	Hex Nut 3/8"-16
VV-32	V-336	Set Screw 5/16" x 1/4"
VV-33	V-355	Roll Pin 5/16" D. x 3/4"
VV-34	50M0416P	Cotter Pin 1/8" D. x 1.0"
VV-35	V-146	Shaft-Arm Ass'y.
VV-36	V-149	Arm, Pivot (Outer)
VV-37	V-150	Arm, Pivot (Inner)
VV-38	V-151	Shield Ass'm., Inner
VV-39	V-154	Shield Outer
VV-40	V-295	Hex Hd. Bolt 5/8"-18 x 2"
VV-41	32M2000P	Hex Nut 5/8"-18
VV-42	25M1016P	Flat Hd. Mach. Screw 5/16" x 1.00"
VV-43	B-1674P	Hex Lock Nut 5/16"-18
VV-44	1M1008P	Hex Hd. Bolt 5/16" x 1/2"
VV-46	45M1111P	Flat Washer 5/16" SAE
VV-47	V-155P	Trunnion-Spring Rod

ROTARY TILLER (Continued)

Model VV 100

<u>Ref. No.</u>	<u>Part No.</u>	<u>Description</u>
VV-48	V-156P	"J" Bolt
VV-49	V-157P	Compression Spring
VV-50	45M1313P	Flat Washer 3/8" SAE
VV-52	45M1717P	Flat Washer 1/2" SAE
VV-54	V-159	Shroud Brace Ass'm. W.A.
VV-55	11M1012P	Carr. Bolt 5/16"-18 x 3/4"
VV-58	V-163P	Pin, Drilled 1/2" D. x 4 1/4"
VV-59	V-359P	Limit Chain Ass'm.
VV-60	V-369	Lift Limiter
VV-61	V-370	Pad-Vinyl
VV-62	V-361	Bracket-Circuit Breaker
VV-63	1M0812P	Hex Bolt 1/4"-2 x 3/4"
VV-64	30M0800P	Hex Nut 1/4"-20
VV-65	45M0909P	Flat Washer 1/4" SAE
VV-66	40M0800P	Lock Washer 1/4"
VV-68	V-167	Chain Housing Ass'm. (R.H.)
VV-69	V-172	Chain Housing Ass'm. (L.H.)
VV-70	V-174	Shaft & Sprocket Ass'm. 10T
VV-71	V-177	Spacer, Drive Shaft
VV-72	V-178	Bearing 1" Sealed
VV-73	V-179	Lock-Collar (1")
VV-74	V-180	Flangette Half - 1"
VV-75	V-181	Hub, Pivot (for 1" Shaft)
VV-76	V-182	Chain, Roller (ASA 60)
VV-77	V-183	Chain Tightener Ass'm.
VV-78	V-186	Tine Shaft & Sprocket Ass'm.
VV-79	V-190	Spacer, Tine Shaft (Long)
VV-80	V-191	Spacer, Tine Shaft (Short)
VV-81	V-192	Bearing 1 1/4" Bore
VV-82	V-193	Locking Collar 1 1/4"
VV-83	V-194	Flangette Half 1 1/4"
VV-84	V-195	Plate-Attaching (Lower)
VV-85	V-196	Cap, Bearing Guard
VV-86	V-197	Wear Bar
VV-87	2M0832P	Hex Bolt 1/4"-20 x 2.00"
VV-88	13M0808P	Carriage Bolt (Short Sq. Neck)
VV-89	11M0816P	Carriage Bolt 1/4" x 1"
VV-90	10M0812P	Carriage Bolt 1/4" x 3/4"
VV-92	V-207	Carriage Bolt Gr. 5 3/8"-16 x 1 1/2" Thd. to Hd.
VV-93	B-1675P	Hex Lock Nut 3/8"-16
VV-94	B-199P	Carriage Bolt 5/16"-18 x 1 1/2"
VV-95	2M1416P	Hex Bolt 7/16 x 1"
VV-96	1M1032P	Hex Bolt 5/16-18 x 2"
VV-97	V-200	Hex Socket Set Screw 5/16"-18 x 1 1/2"
VV-98	V-201	Cover, Oil Hole
VV-100	V-376	Tine Attachment Ass'm.
VV-101	M43480	Tine R.H. 1/4" x 13-1/2"
VV-102	M43481	Tine L.H. 1/4" x 13 1/2"
VV-103	B723	Washer-Spec.
VV-104	2M1424P	Hex Bolt 7/16"-14 x 1 1/2"
VV-105	B-1676	Hex Lock Nut 7/16"-14
VV-106	B-1345P	Pin-Tine Tub. Conn. 1/2" D. x 2"
VV-108	2M1632P	Hex Bolt 1/2"-13 x 2"
VV-109	B-1677P	Hex Lock Nut 1/2"-13

ROTARY TILLER (Continued)

Model VV 100

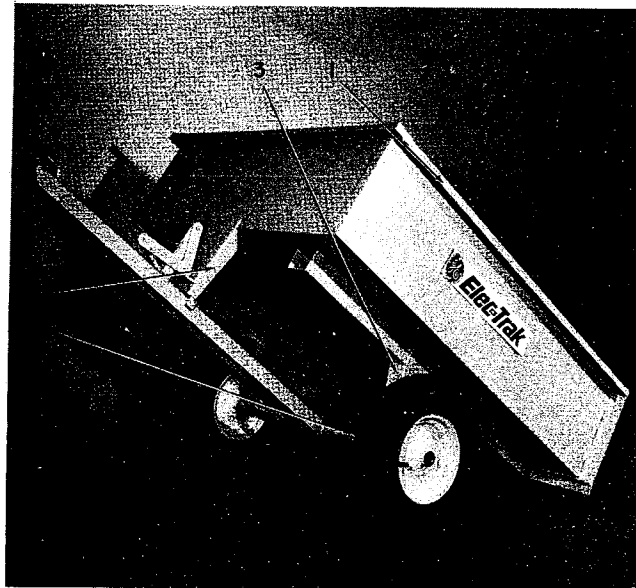
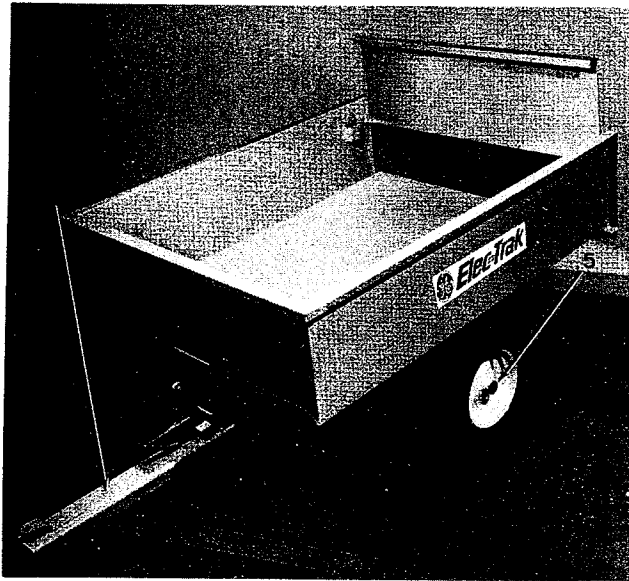
<u>Ref. No.</u>	<u>Part No.</u>	<u>Description</u>
VV-110	V-128P	Pan Head Mach. Screw-Phillips Hd. 10-32 x 7/8"
VV-111	V-130P	Lockwasher #10
VV-112	V-129P	Hex Nut #10-32
VV-113	11M1016P	Carriage Bolt 5/16"-18 x 1.0"
VV-116	V-362P	Cable Clamp
VV-117	V-375	Clip-Power Cable
VV-118	V-374	Tube-Roller
VV-121*	163B9956P1	Motor-Tiller
VV-122*	243A4606P1	Circuit Breaker
VV-123*	243A4528G1	Cord Ass'm.
VV-124*		Decal, Caution
VV-125*	211A3556G3	Jumper Wire
VV-126*	243A4540P2	Cable Tie

TILLER MOUNTING BRACKET

Model VV 101

<u>Ref. No.</u>	<u>Part No.</u>	<u>Description</u>
VV-A	V-100	Axle Bracket, R. H.
VV-B	V-101	Axle Bracket, L. H.
VV-C	H200P	Drilled Rivet 1/2" D. x 1 1/2"
VV-D	V-106	Spacer, Axle (Outer-Heavy)
VV-E	V-107	Spacer, Axle (Inner-Light)
VV-F	V-108P	"U" Bolt 3/8" D.
VV-G	V-109	Bail Ass'm.
VV-H	40M1200P	Lock Washer 3/8"
VV-J	30M1200P	Hex Nut 3/8"-16
VV-K	D-146P	Hair Pin Cotter 1/8" x 1 7/8"
VV-L	V-105	Clevis-Positioning
VV-M	10M1232P	Carriage Bolt 3/8"-16 x 2"
VV-N	1M1620P	Hex Bolt 1/2"-13 x 1 1/4"
VV-P	30M1600P	Hex Nut 1/2"-13
VV-R	40M1600P	Lock Washer 1/2"

*GE Parts - Available through O. P. E. O.
All other parts available through Brinly-Hardy Co.



AF

12 CUBIC FOOT DUMP CART

MODEL AF 12

WHEN ORDERING PARTS, ALWAYS INCLUDE PART NUMBERS AND
FULL DESCRIPTION.

SEND ORDERS DIRECT TO: OHIO STEEL FABRICATORS
2575 FERRIS ROAD
COLUMBUS, OHIO 43224

OR CALL: AREA CODE (614) 471-4800

<u>REF. NO.</u>	<u>PART NO.</u>	<u>DESCRIPTION</u>
AF-1	3648-1	BODY
AF-2	3648-7	LATCH SPACER
AF-3	3648-8	STRUT (2 REQUIRED)
AF-4	3648-9	DRAW BAR
AF-5	3648-10	WHEEL (2 REQUIRED)
AF-6	3648-11	AXLE

ENCLOSED CAB

Model AG 55

When ordering parts, always specify cab, model number, part number and description in detail.

Send orders direct to: Curtis Tractor Cab, Inc.
7 Brookfield Street
Worcester, Massachusetts 01605

or call: Area Code (617) 752-4086

Each cab is guaranteed one year to be free of defects in parts and workmanship. Under guarantee all defective parts must be returned to Curtis, freight prepaid, and replacements will be returned freight collect.

<u>Part No.</u>	<u>Description</u>
AG-1	Roof
AG-2	Front, Complete with Glass Windshield
AG-3	Front, Without Glass Windshield
AG-4	Rear Legs, Right and Left
AG-5	Left Side Curtain with Zipper
AG-6	Right Side Curtain
AG-7	Rear Curtain
AG-8	Windshield Wiper Motor (12-volt)
AG-9	Windshield Wiper Arm
AG-10	Windshield Wiper Blade
AG-11	Male Snaps for Cab (Require Rivets)
AG-12	Rivets (Special Machine Required to Set - <u>Not Available</u>)
AG-13	Threaded Male Snaps and Nuts
AG-14	Rubber for Mounting Windshield Glass
AG-15	Safety Glass for Windshield
AG-16	5/16-18 Bolt, Nut and Washer
AG-17	5/8 I.D. Grommet for Wiper Installation
AG-18	3/16 I.D. Grommet for Wiper Installation
AG-19	Cab Shipping Carton
AG-20	Mounting Pads for Fenders (2 Required)
AG-21	Mounting Pad for Windshield

CANOPY TOP, DOUBLE SEAT, GOLF BAG HOLDER

Model BC 11 Model BD 22 Model BG 33

When ordering parts, always specify model number, quantity, and description in detail.

Send orders direct to:

Breton Industries, Inc.
10 Leonard Street
Amsterdam, New York

or call: Area Code (518) 374-5329

CANOPY TOP

Model BC 11

<u>Qty.</u>	<u>Description</u>
1	Canopy Cover
2	Front and Rear Frame Member
2	Side Frame Member
2	Front Upright
2	Rear Upright
1	Front Mounting Bracket
2	Rear Mounting Bracket
2	Rear Cross Brace
8	1/2-20 x 3/4" Hex Bolt
2	1/4-20 x 1 1/4" Hex Bolt
2	1/4-20 x 1/2" Hex Bolt
12	1/4-20 Lock Nut
2	5/16-18 x 3/4" Hex Bolt
2	5/16-18 x 1" Hex Bolt
4	Washer
4	5/16-18 Lock Nut

DOUBLE SEAT

Model BD 22

<u>Qty.</u>	<u>Description</u>
2	Arms
1	Seat Back
1	Seat Bottom
8	5/16-18 x 1 1/2" Black Cap Screws
4	5/16-18 x 1 1/2" Plated Cap Screws
4	Leveler Bolts
8	Washers

GOLF BAG HOLDER

Model BG 33

<u>Qty.</u>	<u>Description</u>
1	Bag Rest
1	Tubular Upright
1	Base Box
1	Left Stabber
1	Right Stabber
1	44" Nylon Bearing
3	1/4-20 x 1 1/2" Hex Head Cap Screw
1	1/4-20 x 1 3/4" Hex Head Cap Screw
4	1/4-20 Lock Nut
4	5/16-18 x 3/4" Hex Head Cap Screw
4	5/16-18 Lock Nut

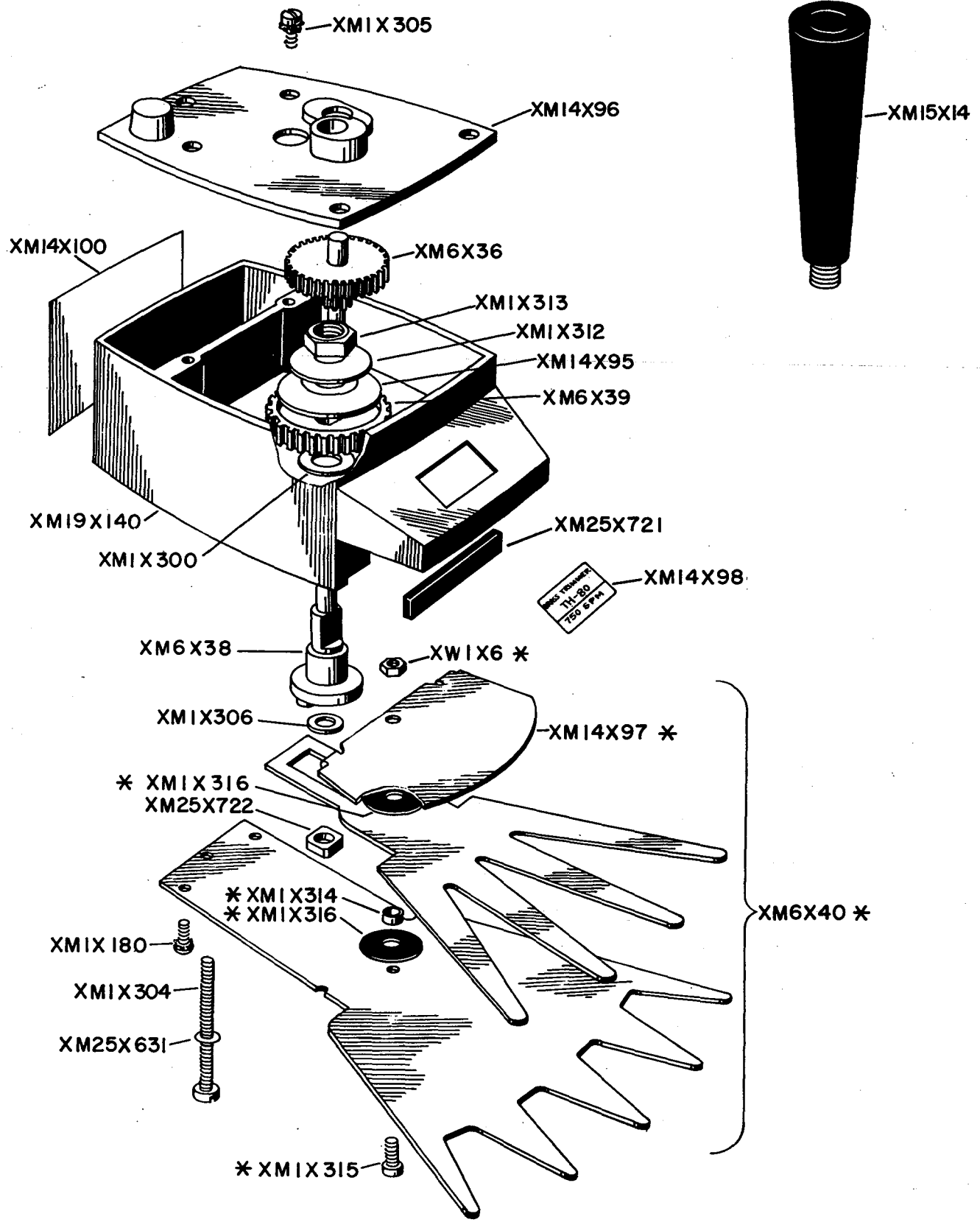
POWER UNIT

Model TM 3

The Model TM 3 POWER UNIT is designed to be used in conjunction with the models TH 20 (1/4" or TH 30 (3/8") drills, TH 70 hedge trimmer and/or the TH 80 grass trimmer to make a complete power tool assembly. It develops 1/3 horsepower, has a die cast aluminum housing, a trigger switch (which can be locked for continuous running) and a 20 foot yellow line cord with an armored locking plug at its end. Arrangement has been made for the attachment of helper handles in three areas or positions. The D1TM3 is approved for use on direct current only and at 36 volts D.C. is rated 7.0 amps.

For spare and renewal parts, contact your nearest General Electric Housewares Service Center; see attachment for address, telephone, etc.

<u>Part No.</u>	<u>Description</u>
XM 1X122	Screw Bearing Cap
XM 1X150	Nut Armature
XM 1X250	Washer, Armature
XM 1X252	Screw, Field
XM 1X254	Nut, Helper Handle
XM 1X255	Screw, Motor Mount (Front)
XM 1X256	Screw, Motor Case (Rear)
XM 1X257	Screw, Motor Case (Handle)
XM 1X258	Screw, Bearing Strap
XM 1X298	Washer, Armature
XM 1X299	Washer, Armature
XM 1X301	Washer, Armature
XM 2X 13	Brush Holder, R.H.
XM 2X 14	Brush Holder, L.H.
XM 2X 34	Brush
XM 3X 54	Spring, Carbon Brush
XM11X 59	Armature
XM14X 72	Escutcheon Plate
XM14X128	Rating Plate
XM17X 52	Power Cord
XM18X 80	Coil, Upper
XM18X 81	Coil, Lower
XM19X126	Case Assembly
XM25X264	Bearing Cap
XM25X625	Oil Wick
XM25X626	Bearing, Rear
XM25X627	Bearing, Front
XM25X628	Bearing Strap
XM25X629	Strain Relief Clip
XM25X706	Switch
XM25X729	Wire, Field Retaining
XM25X905	Plug, Power Cord



* - INCLUDES ALL PARTS IN A COMPLETE ASM.

TH

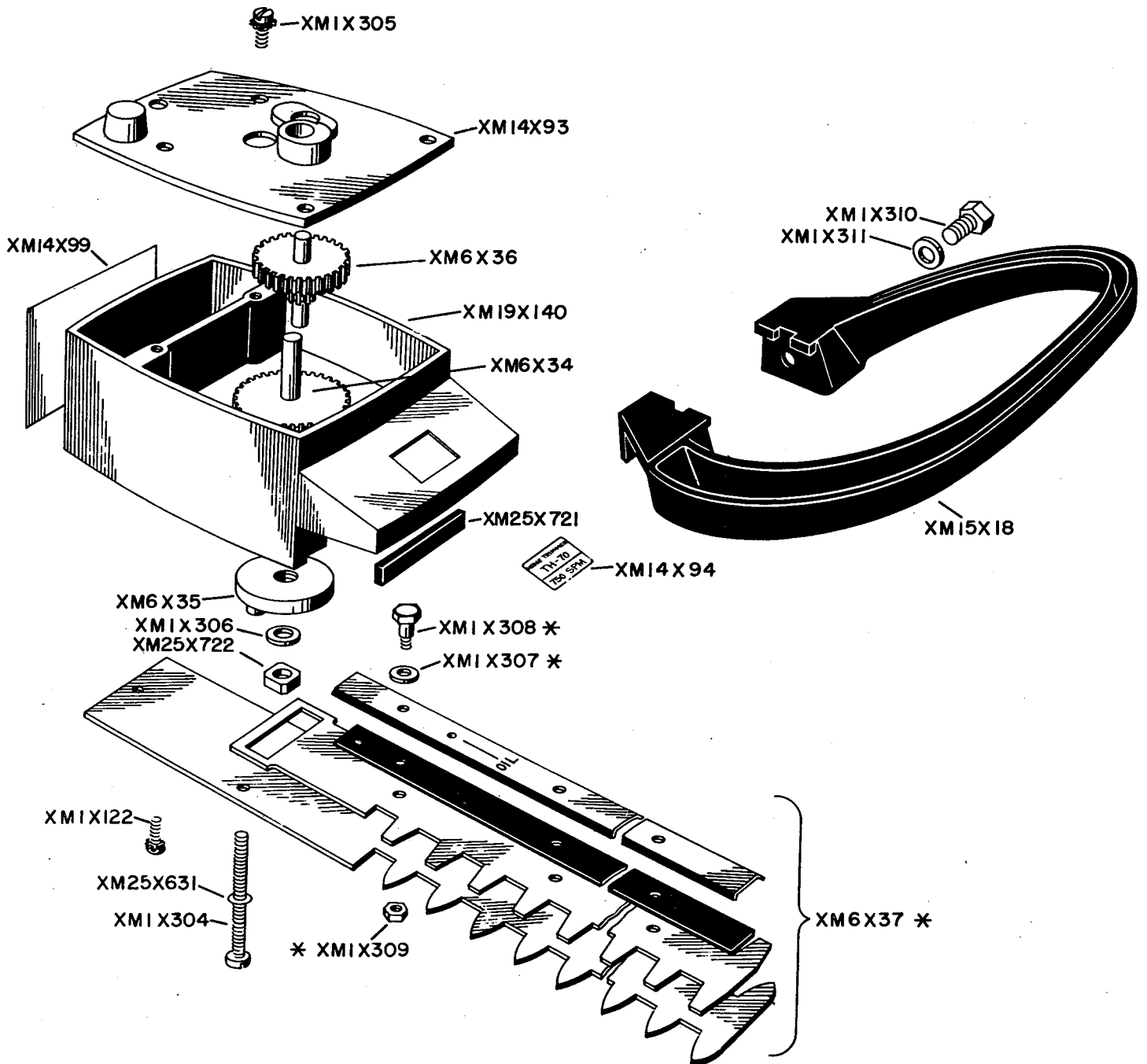
GRASS TRIMMER HEAD

MODEL TH 80

THE MODEL TH 80 GRASS TRIMMER HEAD IS DESIGNED TO OPERATE WITH ANY ONE OF THE GENERAL ELECTRIC POWER UNITS. IT HAS A DIE CAST ALUMINUM HOUSING, A TWO-STAGE REDUCTION GEAR ASSEMBLY AND A SLIP-CLUTCH MECHANISM. THE BLADES ARE SELF-SHARPENING AND BLACK-OXIDE FINISHED. ONE IS STATIONARY WITH FIVE TEETH WHILE THE OTHER IS RECIPROCATING AND HAS FOUR TEETH. THE 17TH80 HAS A CUTTING WIDTH OF 5" AT 750 STROKES PER MINUTE WHEN ATTACHED TO THE POWER UNIT. A HELPER HANDLE IS INCLUDED.

FOR SPARE AND RENEWAL PARTS, CONTACT YOUR NEAREST GENERAL ELECTRIC HOUSEWARES SERVICE CENTER; SEE ATTACHMENT FOR ADDRESS, TELEPHONE, ETC.

<u>PART NO.</u>	<u>DESCRIPTION</u>
XW 1X 6	NUT, BLADE ASSEMBLY
XM 1X180	SCREW, BLADE TO CASE
XM 1X300	WASHER, DRIVE SHAFT
XM 1X304	SCREW, CAPTIVE
XM 1X305	SCREW, INTERMEDIATE PLATE
XM 1X306	SPRING WASHER, DRIVE PLATE
XM 1X312	WASHER, CLUTCH PLATE
XM 1X313	NUT, DRIVE SHAFT
XM 1X314	BUSHING, BLADE ASSEMBLY
XM 1X315	SCREW, BLADE ASSEMBLY
XM 1X316	FELT WASHER, BLADE ASSEMBLY
XM 6X 36	INTERMEDIATE SHAFT ASSEMBLY
XM 6X 38	DRIVE SHAFT ASSEMBLY
XM 6X 39	DRIVE GEAR
XM 6X 40	BLADE ASSEMBLY
XM14X 95	CLUTCH PLATE
XM14X 96	INTERMEDIATE PLATE ASSEMBLY
XM14X 97	BLADE RETAINER
XM14X 98	NAMEPLATE
XM14X100	WARNING LABEL
XM15X 14	HANDLE
XM19X140	CASE ASSEMBLY
XM25X631	RETAINING RING
XM25X721	FELT DIRT SEAL
XM25X722	FOLLOWER



* - INCLUDES ALL PARTS
IN A COMPLETE ASM.

TH

HEDGE TRIMMER HEAD

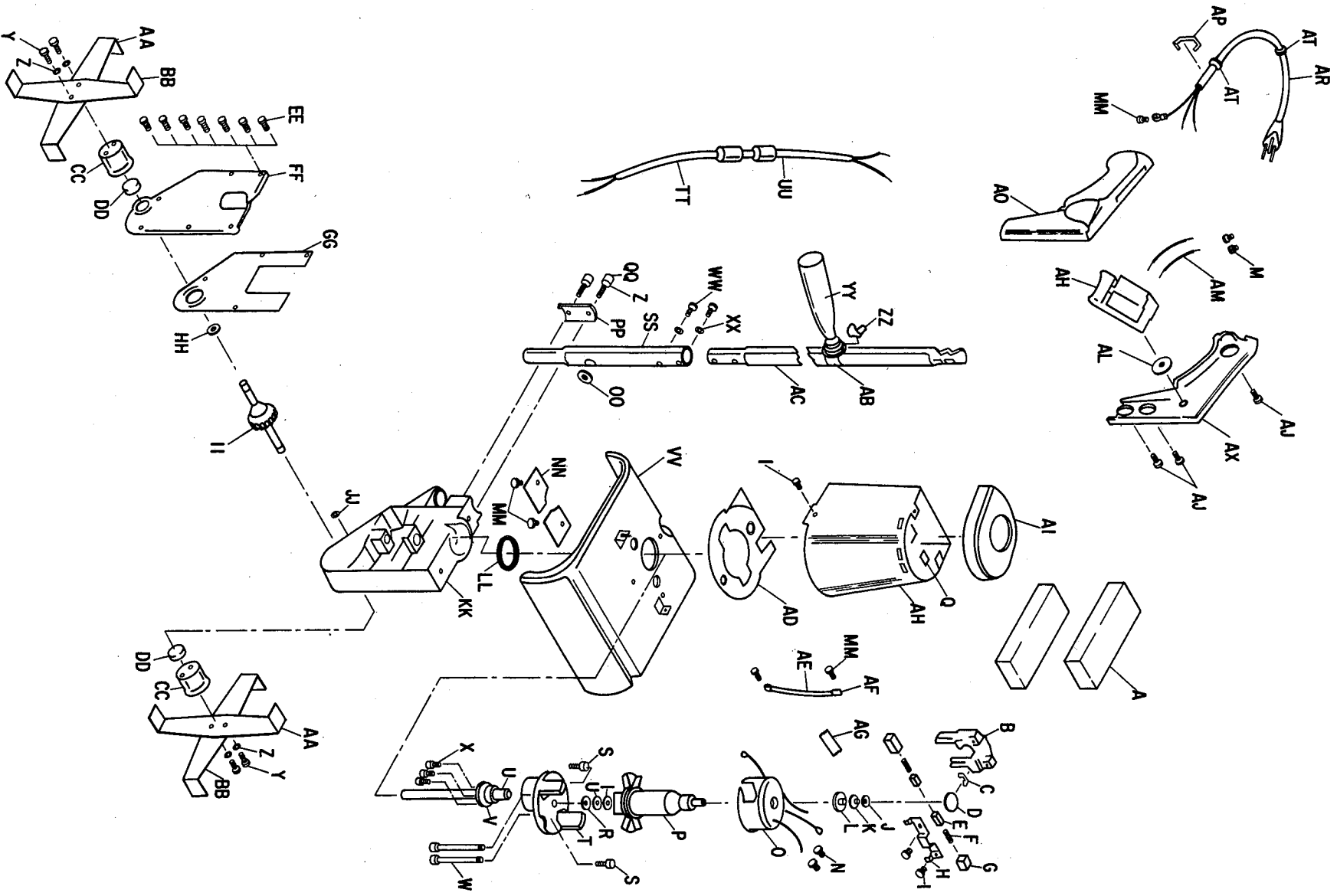
MODEL TH 70

THE MODEL TH 70 HEDGE TRIMMER HEAD IS DESIGNED FOR USE WITH ANY ONE OF THE GENERAL ELECTRIC POWER UNITS. IT HAS A DIE-CAST ALUMINUM HOUSING, A TWO-STAGE REDUCTION GEAR ASSEMBLY, WHICH CAUSES THE BLADES TO OPERATE AT 750 STROKES PER MINUTE. THE BLADES ARE 15" LONG, ARE BLACK-OXIDE FINISHED AND SELF-SHARPENING. A BALE TYPE PLASTIC HANDLE IS INCLUDED.

FOR SPARE AND RENEWAL PARTS, CONTACT YOUR NEAREST GENERAL ELECTRIC HOUSEWARES SERVICE CENTER; SEE ATTACHMENT FOR ADDRESS, TELEPHONE, ETC.

<u>PART NO.</u>	<u>DESCRIPTION</u>
XM 1X122	SCREW, BLADE ASSEMBLY
XM 1X304	SCREW, CAPTIVE
XM 1X305	SCREW, INTERMEDIATE PLATE
XM 1X306	SPRING WASHER, DRIVE PLATE
XM 1X307	SPRING WASHER, BLADE ASSEMBLY
XM 1X308	SCREW, BLADE ASSEMBLY
XM 1X309	LOCKNUT, BLADE ASSEMBLY
XM 1X310	BOLT, HANDLE
XM 1X311	WASHER, HANDLE
XM 6X 34	DRIVE SHAFT ASSEMBLY
XM 6X 35	DRIVE PLATE
XM 6X 36	INTERMEDIATE SHAFT ASSEMBLY
XM 6X 37	BLADE ASSEMBLY
XM14X 93	INTERMEDIATE PLATE ASSEMBLY
XM14X 94	NAMEPLATE
XM14X 99	WARNING PLATE
XM15X 18	HANDLE
XM19X140	CASE ASSEMBLY
XM25X631	RETAINING RING
XM25X721	FELT DIRT SEAL
XM25X722	FOLLOWER

HC



WEEDER CULTIVATOR

Model HC 05

When ordering parts, always include part number, model number, and full description.

Send orders direct to:

Mc Graw Edison
Power Tool Division
Parts and Service Dept.
1501 East Main Street
St. Charles, Illinois 60174

or call: Area Code (312) 584-1750

Minimum order is \$2.00 with terms of net 30 F.O.B. St. Charles, Illinois.

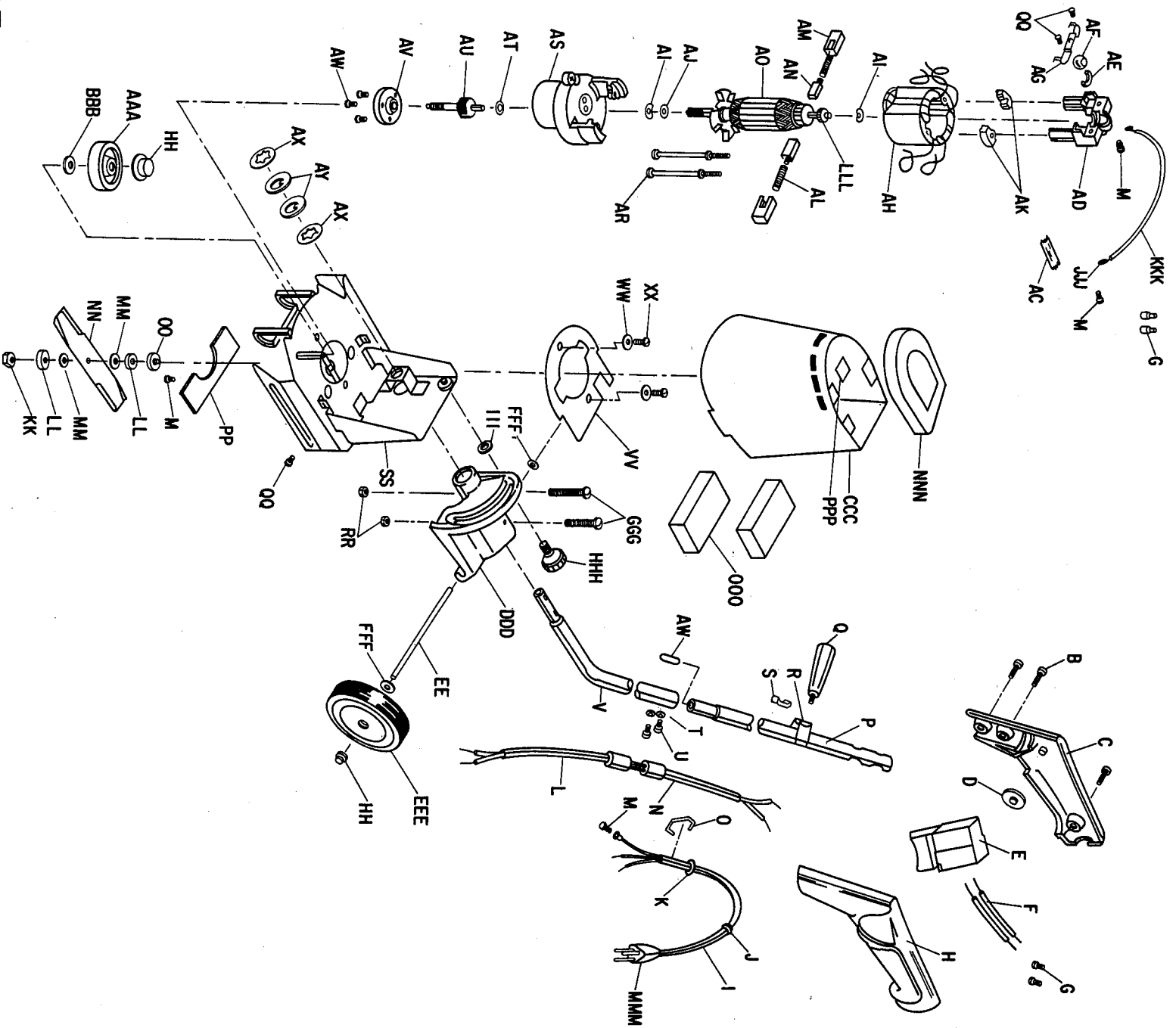
<u>Ref. No.</u>	<u>Ref. Letter</u>	<u>Part No.</u>	<u>Description</u>
HC-1	A	01-01525	Filter
HC-2	B	06-00474	Stator Bracket
HC-3	C	01-00452	Oil Felt
HC-4	D	09-00044	Bronze Bearing
HC-5	E	14-00094	Carbon Brush
HC-6	F	14-00068	Brush Spring
HC-7	G	14-00045	Brush Holder
HC-8	H	27-00054	Spring, Brush Holder & Bearing
HC-9	I	22-00713	Screw
HC-10	J	27-00008	Loading Spring
HC-11	K	17-00313	Fibre Washer
HC-12	L	17-00100	Fibre Washer
HC-13	N	16-00004	Connector
HC-14	O	08-00222	Field Assembly
HC-15	P	07-00217	Armature Assembly
HC-16	Q	22-00586	Speed Nut
HC-17	R	17-00101	Fibre Washer
HC-18	S	22-00158	Screw
HC-19	T	S-06-00478	Gear Box Assembly
HC-20	U	17-00090	Steel Washer
HC-21	V	S-03-00525	Motor Shaft Assembly
HC-22	W	22-00089	Screw
HC-23	X	22-00387	Screw
HC-24	Y	22-00560	Screw
HC-25	Z	17-00181	Lock Washer
HC-26	AA	43-00359	Blade
HC-27	BB	43-00358	Blade
HC-28	CC	06-00910	Adapter
HC-29	DD	17-00208	Washer
HC-30	EE	22-00474	Screw
HC-31	FF	S-06-00476	Cover
HC-32	GG	17-00411	Gasket
HC-33	HH	17-00005	Steel Washer
HC-34	I I	S-01-01528	Drive Shaft
HC-35	JJ	10-00060	Ball
HC-36	KK	S-06-00911	Drive Housing Assembly (Includes Drive Shaft Bearing 9-20 and Motor Shaft Bearing 9-59)
HC-37	LL	17-00304	Felt Washer
HC-38	MM	22-00594	Screw
HC-39	NN	43-00378	Dust Shield
HC-40	PP	43-00398	Clamp
HC-41	QQ	22-00476	Screw
HC-42	RR	06-00909	Adapter



WEEDER CULTIVATOR (Continued)

Model HC 05

<u>Ref. No.</u>	<u>Ref. Letter</u>	<u>Part No.</u>	<u>Description</u>
HC-43	SS	43-00363	Handle, Lower Half
HC-44	TT	11-00090B	Cord Set
HC-45	UU	11-00088B	Cord Set
HC-46	VV	43-00364	Upper Guard
HC-47	WW	22-00616	Screw
HC-48	XX	17-00086	Lock Washer
HC-49	YY	AH-00-00022B	Handle
HC-50	ZZ	43-00394	Bridge
HC-51	AB	43-00400	Strap
HC-52	AC	43-00497	Handle, Upper Half
HC-53	AD	01-00932	Bottom Baffle
HC-54	AG	23-00115	Tape
HC-55	AH	43-00374	Motor Housing
HC-56	AI	05-00948	Cap
HC-57	AJ	22-00676	Screw
HC-58	AK	44-00229	Handle Support
HC-59	AL	28-00095	Rubber Pad
HC-60	AN	18-00253	Switch
HC-61	AO	44-00230	Handle Cover
HC-62	AR	11-00225	Cord Set
HC-63	AS	11-00226	Plug
HC-64	AT	23-00272	Insulator



HE

LAWN EDGER TRIMMER

Model HE 06

When ordering parts, always include part number, model number and full description.

Send orders direct to:

Mc Graw Edison
Power Tool Division
Parts and Service Dept.
1501 East Main Street
St. Charles, Illinois 60174

or call: Area Code (312) 584-1750

Minimum order is \$2.00 with terms of net 30 F.O.B., St. Charles, Illinois.

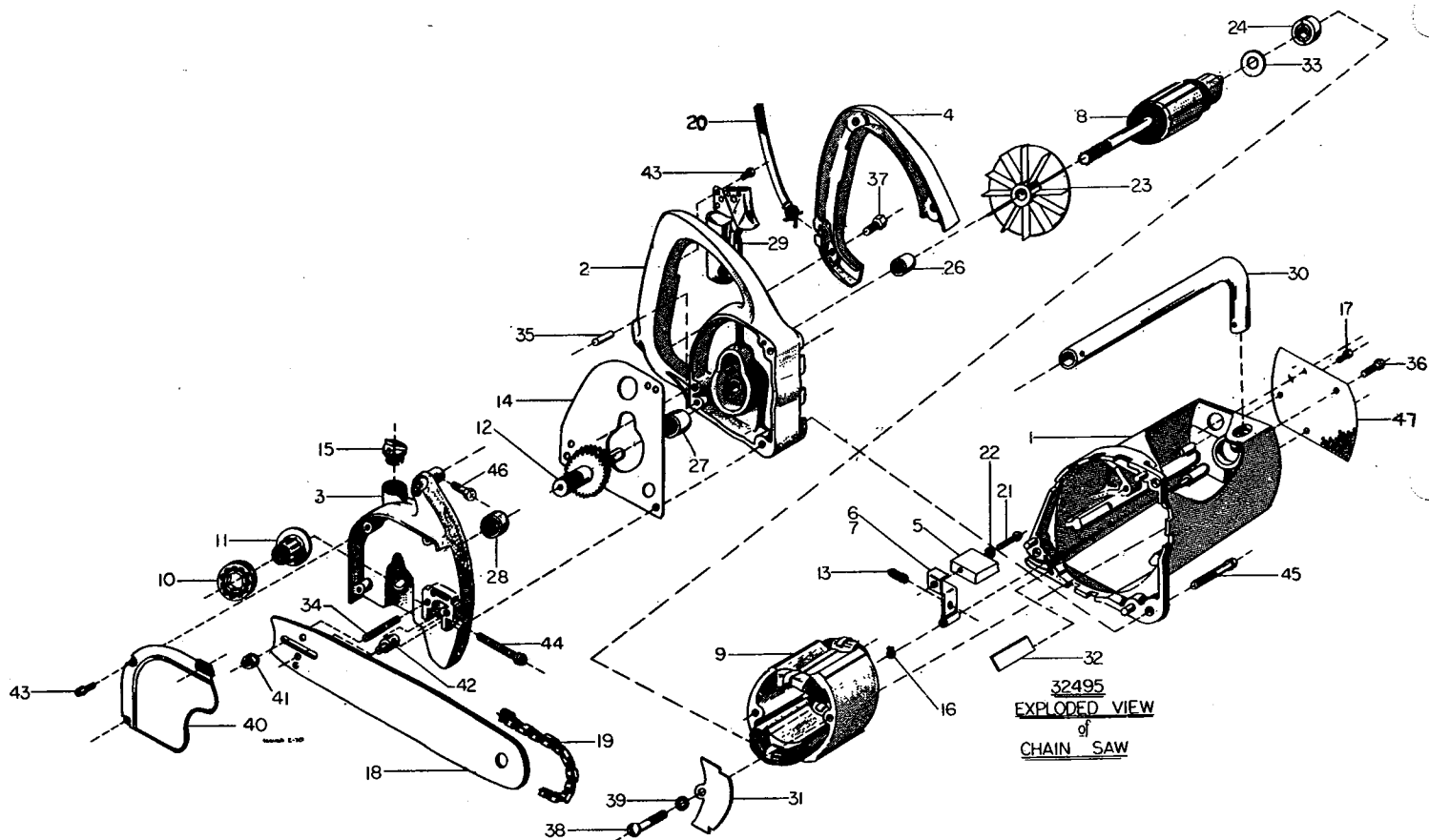
<u>Ref. No.</u>	<u>Ref. Letter</u>	<u>Part No.</u>	<u>Description</u>
HE-1	B	22-00676	Screw, 2 Required
HE-2	C	44-00229-B	Handle, Support Half
HE-3	D	28-00095	Rubber Pad
HE-4	E	18-00135	Switch
HE-5	F	39-00126	Lead Wire
HE-6	G	16-00004	Connector
HE-7	H	44-00230-B	Handle, Cover Half
HE-8	I	11-225	Power Cord
HE-9	J	28-00077	Grommet
HE-10	K	17-00312	Fibre Washer
HE-11	L	11-00089-B	Cord Set, Lower Portion
HE-12	M	22-00594	Ground Screw
HE-13	N	11-00088-B	Cord Set, Upper Portion
HE-14	O	01-00009	Ring
HE-15	P	43-00497-CN	Upper Handle
HE-16	Q	AH-00-00022-B	Auxiliary Handle
HE-17	R	43-00400	Strap
HE-18	S	43-00394	Bridge
HE-19	T	17-00086	Lock Washer
HE-20	U	22-00616	Screw
HE-21	V	43-00562-CN	Lower Handle
HE-22	W	23-00272	Insulator
HE-23	EE	01-01575	Axle
HE-24	HH	22-00781	Push Nut
HE-25	KK	22-00593	Lock Nut
HE-26	LL	17-00317	Clutch Washer
HE-27	MM	17-00266	Brass Washer
HE-28	NN	43-00494-BO	Blade
HE-29	OO	17-00279	Steel Washer
HE-30	PP	43-00341	Dust Shield
HE-31	QQ	22-00594	Screw
HE-32	RR	22-00615	Lock Nut
HE-33	SS	43-486AS	Upper Guard Assembly
HE-34	VV	23-00276	Baffle
HE-35	WW	27-00092	Lock Washer
HE-36	XX	22-00426	Screw
HE-37	AC	23-00115	Tape
HE-38	AD	06-00474	Field Bracket
HE-39	AE	01-00452	Felt Wick
HE-40	AF	09-00044	Bearing
HE-41	AG	27-00054	Brushholder & Bearing Retainer
HE-42	AH	8-222	Field Assembly
HE-43	AI	27-00008	Loading Spring
HE-44	AJ	17-00101	Fibre Washer



LAWN EDGER TRIMMER (Continued)

Model HE 06

<u>Ref. No.</u>	<u>Ref. Letter</u>	<u>Part No.</u>	<u>Description</u>
HE-45	AK	44-00297	Spacer
HE-46	AL	14-00068	Brush Spring
HE-47	AM	14-00045	Brushholder
HE-48	AN	14-00046	Brush
HE-49	AO	7-217	Armature Assembly
HE-50	AR	22-00811	Screw
HE-51	AS	S6-1007	Gear Box Assembly
HE-52	AT	17-00090	Steel Washer
HE-53	AU	S-02-00294	Spindle Shaft Assembly
HE-54	AV	09-00101	Bearing
HE-55	AW	23-00272	Insulator
HE-56	AX	01-00931	Retaining Ring
HE-57	AY	17-00301	Washer
HE-58	AAA	44-00227	Roller
HE-59	BBB	17-00290	Washer
HE-60	CCC	43-368AR	Motor Housing
HE-61	DDD	6-1011AR	Wheel Bracket
HE-62	EEE	44-00264	Wheel
HE-63	FFF	17-00194	Washer
HE-64	GGG	22-00822	Screw
HE-65	HHH	AH-00-00037-B	Knob
HE-66	III	17-00421	Spacer
HE-67	JJJ	16-00021	Terminal
HE-68	KKK	13-00020	Lead
HE-69	LLL	17-00100	Washer
HE-70	MMM	11-226	Plug
HE-71	NNN	5-948-AS	End Cap
HE-72	OOO	1-1525	Filter
HE-73	PPP	22-586	Speed Nut



32495
EXPLODED VIEW
of
CHAIN SAW

HS

CHAIN SAW

Model HS-13

When ordering parts, always specify the quantity, model number, part number and description.

Send orders direct to:

Generac Corporation
P. O. Box 8
Waukesha, Wisconsin

or call: Area Code (414) 968-3101

There is a minimum order of \$5.00 with terms of 1% 10 days, net 30 F.O.B. Waukesha.

<u>Ref. No.</u>	<u>Part No.</u>	<u>Description</u>
HS-1	32461	Motor Housing
HS-2	32463	Center Section
HS-3	32465	Front Housing
HS-4	32467	Handle
HS-5	32476	Brush
HS-6	32475	Brush Holder R. H.
HS-7	32474	Brush Holder L. H.
HS-8	32346	Armature
HS-9	32347	Field Assembly
HS-10	32480	Sprocket
HS-11	32483	Drive Hub
HS-12	32655	Idler Shaft Assembly
HS-13	32487	Brush Holder Spring
HS-14	32468	Gasket
HS-15	32479	Oil Fill Cap
HS-16	32491	Snap Ring
HS-17	22774	No. 8 Sheet Metal Sc.
HS-18	32477	Chain Bar - 13"
HS-19	32478	Chain - 13"
HS-20	32489	Cord Assembly
HS-21	26713	No. 6-32 x 1-1/8 Brass Sc.
HS-22	23636	No. 6 Brass-Shakeproof
HS-23	25174	Fan
HS-24	25177	Bearing
HS-25	32493	Relay & Box Assy (Not Shown)
HS-26	25229	Bronze Bearing
HS-27	25230	Bronze Bearing
HS-28	25231	Bronze Bearing
HS-29	25238	Switch
HS-30	26277	Tubular Handle
HS-31	26796	Air Deflection
HS-32	26849	Wire Hold Down Tab
HS-33	27139	Bearing Spacer
HS-34	25751	Stud
HS-35	22104	Dowel Pin
HS-36	24611	No. 10-32 x 1" Taptite
HS-37	24679	No. 10-32 x 3/4" Taptite
HS-38	22151	No. 10-32 x 2 1/2" RHMS
HS-39	22769	No. 10 Shakeproof
HS-40	32500	Chain Guard
HS-41	32499	5/16-24 Flanged Hex Nut
HS-42	32486	Adjusting Nut
HS-43	26902	No. 8-32 x 1/4 Taptite
HS-44	28409	Socket Head Screw
HS-45	27117	1/4 - 2" Taptite
HS-46	24489	No. 10-32 x 3/8" Taptite
HS-47	32482	Rear Screen
HS-48	34919	Retainer

GENERAL ELECTRIC HOUSEWARES SERVICE CENTERS

NORTH ATLANTIC

Pennsauken, N.J.	08101	7100 Airport Hwy.	F. A. Frumento	(665-0440)
Baltimore, Md.	21234	6910 Harford Road	C. J. Cabral	(444-6600)
Boston, Mass.	02134	215 Brighton Avenue	N. D. Garant	(782-7511)
Bridgeport, Conn.	06610	2126 Boston Ave.	C. A. Clark	(335-3105)
Brooklyn, N.Y.	11201	38 Bond St.	R. E. Pandolfi	(852-0011)
Broomall, Pa.	19008	700 Parkway So., Lawrence Indl. Park	J. P. Sullivan	(353-3836)
Latham, N.Y.	12110	7 Herbert Drive So.	J. E. Plunkett	(785-5186)
New York, N.Y.	10017	Grand Central Terminal	W. F. Braidic	(689-6343)
Philadelphia, Pa.	19149	2010 Levick Street	R. R. Filoso	(288-4700)
Pittsburg, Pa.	15224	4319 Penn Avenue	M. R. LaRue	(621-5334)
Reading, Mass.	01867	100 Main Street	R. F. Welch	(944-6770)
Washington, D. C.	20007	1805 Wisconsin Ave., N.W.	G. Collini	(234-7404)
Yonkers, N.Y.	10704	5 Xavier Dr. (Cross Co. Shop. Ctr.)	A. Barbieri	(476-8400)

SOUTHEAST

Atlanta, Ga.	30318	1777 Ellsworth Ind. Dr., N.W.	J. L. Lipham	(355-3480)
Memphis, Tenn.	38103	669 Madison Avenue	M. P. Williams	(525-6789)
Miami, Fla.	33145	2151 S. W. 27th Avenue	W. H. Payne	(443-2543)
Nashville, Tenn.	37206	508 Main Street	R. C. Pigg	(244-7424)
Norfolk, Va.	23502	4552 East Princess Anne Road	H. A. Spiva	(855-3171)
Richmond, Va.	23230	4011 W. Broad Street	R. J. Shiembob	(353-5508)
Tampa, Fla.	33609	3602 W. Kennedy Blvd.	L. A. Gilbert	(877-6001)

MIDWESTERN

Chicago, Ill.	60641	Cor. Kilbourn & Milwaukee Aves.	R. P. Russe	(282-2110)
Cleveland, Ohio	44114	1435 E. 17th St.	N. G. Oriold	(241-5414)
Columbus, Ohio	43222	479 W. Broad Street	R. J. Misunas	(224-4118)
Detroit, Mich.	48227	13300 Puritan Avenue	D. H. Baughman	(342-6151)
Evanston, Ill.	60201	1567 Sherman Avenue	M. J. Marcanto	(328-9310)
Hammond, Ind.	46324	7324 Indianapolis Blvd.	J. R. Metteal	(845-2200)
Indianapolis, Ind.	46202	1827 N. Meridian Street	R. Schoomer	(924-1386)
Milwaukee, Wisc.	53218	6106 W. Fond Du Lac Avenue	S. J. Auerbach	(464-0950)
Omaha, Nebr.	68131	3724 Farnam Street	L. P. Wattenbarger	(341-3620)
St. Louis, Mo.	63139	2355 Hampton Avenue	F. L. Coonce	(647-6016)
St. Paul, Minn.	55114	2225 University Avenue	R. L. Butler	(645-9371)

SOUTHWEST

Dallas, Texas	75207	961 Dragon Street (Serv. Distr. Ctr.)	V. P. Platt	(742-7121)
Denver, Colo.	80204	975 Federal Blvd.	D. A. Hightower	(255-4616)
El Paso, Texas	79925	6591 Montana Street	B. L. Rosenbaum	(772-3256)
Houston, Texas	77027	2930 Hillcroft Avenue	R. C. Elliott	(785-5536)
Kansas City, Mo.	64108	2619 McGee Trafficway	B. R. Hall	(842-6690)
Metairie, La.	70002	3300 No. Causeway Blvd.	W. W. Parrie	(834-9080)
Oklahoma City, Okla.	73106	719 No. Virginia Avenue	G. J. Goggans	(236-4581)
San Antonio, Texas	78212	1902 McCullough Avenue	T. O. King	(733-9127)

WESTERN

San Jose, Calif.	95112	1727 North First Street	T. E. Gathier	(298-4203)
Long Beach, Calif.	90804	E. Pacific Coast Hwy.	W. G. Paine	(597-4301)
Los Angeles, Calif.	90057	2800 Beverly Blvd.	C. W. Benshoof	(385-3044)
Oakland, Calif.	94606	1045 E. 12th Street	R. A. Hoffer	(451-6642)
Pasadena, Calif.	91107	3486 East Foothill Blvd.	R. E. Turek	(792-7153)
Phoenix, Ariz.	85006	1733 E. McDowell Road	J. D. Wiley	(252-7663)
Portland, Ore.	97214	2137 E. Burnside Street	G. E. Barlow	(235-6682)
Sacramento, Calif.	95815	1785 Arden Way (Arden Fair Shop. Ctr.)	F. W. Ryman	(927-2246)
San Diego, Calif.	92108	1990 Camino Del Rio, No.	J. M. Winfrey	(291-2220)
San Francisco, Calif.	94103	1090 Bryant Street	P. Krakowski	(863-8921)
Seattle, Wash.	98121	2905 Third Avenue	H. E. Taft	(624-3171)

MOWER MOTOR REPLACEMENT PARTS

For 3 3/8 Inch Dia. Motors

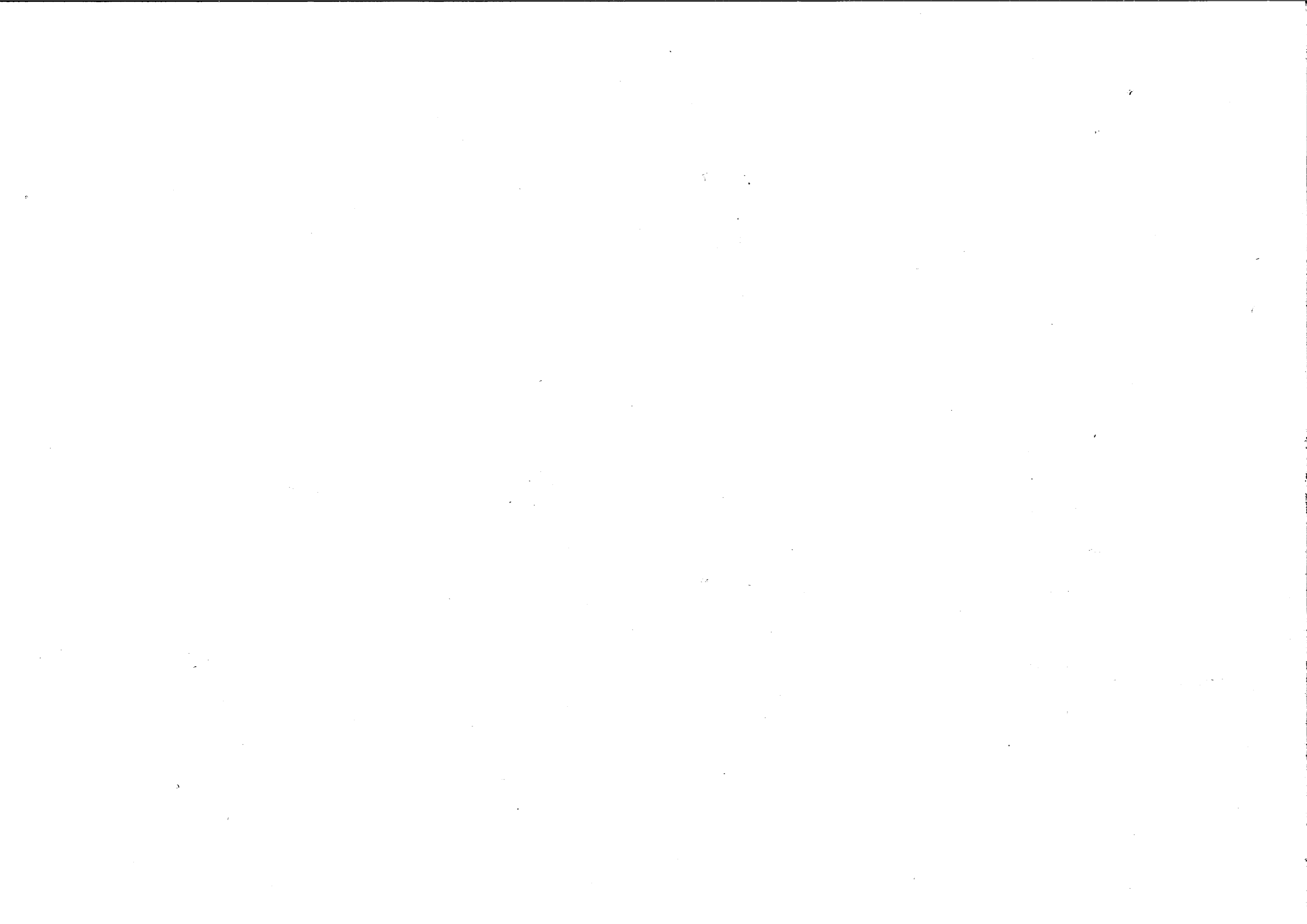
<u>Ref. No.</u>	<u>Part No.</u>	<u>Description</u>
1	243A4736P6	Bearing, Commutator End
2	243A4736P7	Bearing, Drive End
3	243A4736P5	Brush Asm.
4	243A4673P1	Brush Spring
5	243A4736P4	Cover Asm.
6	See Note 1	Drive End Shield + Shell Asm.
7	See Note 1	Commutator End Shield
8	See Note 1	Armature
9	See Note 1	Clamp Screw
10	See Note 1	End Play Kit

Note 1: These parts are not stocked.

For 4 1/2 Inch Dia. Motors

1	244A7329P5	Bearing, Commutator End
2	244A7329P4	Bearing, Drive End
3	244A7329P7	Brush Asm.
4	See Note 1	Cover Asm.
5	See Note 1	Drive End Shield
6	See Note 1	Commutator End Shield
7	See Note 1	Shell Asm.
8	See Note 1	Armature
9	See Note 1	Clamp Screw
10	See Note 1	Wave Washer

Note 1: These parts are not stocked.



SNOW THROWER

Model AD42BA

<u>Ref. No.</u>	<u>Part No.</u>	<u>Description</u>
AD-1	244A7335P1	Header Housing Assembly
AD-2	243A4714P2	Blade, Scraper
AD-3	243A4714P3	Bolt, Carriage 1/4-20 x 5/8
AD-4	N238P21G6	Nut and Lockwasher Assembly 1/4-20
AD-5	178B8411P1	Skid Shoe
AD-6	N657P23012B6	Bolt, Carriage 5/16-18 x 3/4
AD-7	N256P23C6	Nut and Lockwasher Assembly 5/16-18
AD-8	244A7335P8	Stack Drive Bracket (Complete)
AD-9	244A7335P9	Stack Drive Bracket
AD-10	244A7335P10	Cable, Tube, and Sleeve Assembly
AD-11	243A4714P12	Eye Bolt, Drive Tube
AD-12	N402AP43B6	Washer, Plain 3/8
AD-13	243A4714P14	Washer, Spring
AD-14	N264P25B6	Locknut, Hex 3/8-16
AD-15	244A7335P15	U-Bolt, Level Wind
AD-16	244A7335P16	Strap, Friction
AD-17	243A4714P70	Locknut, Hex 1/4-20
AD-18	N657P25016B6	Bolt, Carriage 3/8-16 x 1
AD-19	N256P25C6	Nut and Lockwasher Assembly 3/8-16
AD-20	244A7335P20	Washer 13/32 x 1 1/2 x .060
AD-21	244A7335P21	Auger Assembly
AD-22	244A7335P22	Shaft, Auger
AD-23	244A7335P23	Bearing, Auger
AD-24	244A7335P24	Collar, Bearing Locking
AD-25	244A7335P25	Bearing, Flange (Sprocket Side)
AD-26	243A4714P20	Bearing, Flange
AD-27	N22P23010B6	Bolt, Hex Head (5/16-18 x 5/8)
AD-28	N405P42C6	Lockwasher 5/16
AD-29	244A7335P29	Sprocket, Auger
AD-30	244A7335P30	Plate, Clutch Pressure
AD-31	244A7335P31	Bolt, Lock
AD-32	244A7335P32	Washer, Belleville
AD-33	244A7335P33	Washer, Thrust
AD-34	244A7335P34	Plate, Auger Mounting
AD-35	N22P23008B6	Bolt, Hex Head 5/16-18 x 1/2
AD-36	244A7365P1	Washer, Plain 5/16 x 3/4 x .065
AD-37	N22P29020B6	Bolt, Hex Head 1/2-13 x 1 1/4
AD-38	N405P45C6	Lockwasher 1/2
AD-39	243A4714P31	Chain
AD-40	243A4714P32	Guard, Chain
AD-41	N154P2408C	Screw, Self-Tap 1/4-14 x 1/2
AD-42	244A7335P42	Plate, Motor Stop
AD-43	244A7335P43	Plate, Mounting
AD-44	244A7335P44	Bracket, Mounting
AD-45	N22P25020B6	Bolt, Hex Head 3/8-16 x 1 1/4
AD-46	243A4714P12	Eye Bolt
AD-47	N258P25B6	Nut, Hex 3/8-16
AD-48	N213P29B6	Nut, Hex Jam 1/2-13
AD-49	178B8170P1	Motor
AD-50	243A4714P36	Key
AD-51	243A4714P37	Sprocket, Motor
AD-52	243A4714P38	Set Screw
AD-53	244A7000P1	Circuit Breaker
AD-54	244A7171G1	Cord Assembly
AD-55	211A3556G8	Jumper Wire
AD-56	244A7335P56	Spring

<u>Ref. No.</u>	<u>Part No.</u>	<u>Description</u>
AD-57	N264P25B6	Locknut, Hex 3/8-16
AD-58	N22P25024B6	Bolt, Hex Head 3/8-16 x 1 1/2
AD-59	244A7335P59	Spacer, Tie Strap
AD-60	N405P43C6	Lockwasher 3/8
AD-61	N22P25020B6	Bolt, Hex Head 3/8-16 x 1 1/4
AD-62	244A7335P62	Plate, Motor Cover
AD-63	244A7335P63	Plug, Button
AD-64	243A4714P49	Clamp, Lift Rod
AD-65	N37P17016B6	Screw, Machine 10-24 x 1
AD-66	N213P23B6	Nut, Hex Jam 5/16-18
AD-67	N210P17B6	Nut, Hex 10-24
AD-68	N405P39C6	Lockwasher #10
AD-69	243A4714P57	Plug, Button
AD-70	244A7335P70	Channel Bracket Assembly
AD-71	N22P25016B6	Bolt, Hex Head 3/8-16 x 1
AD-72	244A7335P72	Bracket, Lift Mounting
AD-73	244A7335P73	Spacer, Lift Mounting
AD-74	244A7335P74	Spacer, Lift Mounting
AD-75	244A7365P3	Washer, Plain 17/32 x 1 1/16 x .095
AD-76	N22P23056B6	Bolt, Hex Head 5/16-18 x 3 1/2
AD-77	244A7335P77	Channel Reinforcement
AD-78	N657P25016B6	Bolt, Carriage 3/8-16 x 1
AD-79	244A7335P79	Elbow and Pivot Assembly
AD-80	243A4714P64	Washer, Concave Tooth
AD-81	N22P21008B6	Bolt, Hex Head 1/4-20 x 1/2
AD-82	244A7335P82	Deflector, Elbow
AD-83	243A4714P67	Pad Deflector
AD-85	N403P50C6	Lockwasher, External Tooth 1/2
AD-86	244A7365P2	Washer, Plain 3/8 x 7/8 x .083
AD-87	244A7335P87	Strap, Locking
AD-88	N22P21010B6	Bolt, Hex Head 1/4-20 x 5/8
AD-89	243A4714P70	Locknut, Hex 1/4-20
AD-90	N405P41C6	Lockwasher 1/4
AD-91	243A4716P1	Decal, "Chute Warning..."
AD-92	243A4714P73	Decal, "Be Careful..."
AD-93	N22P21016B6	Bolt, Hex Head 1/4-20 x 1
AD-94	244A7335P94	Mounting Frame Assembly
AD-95	243A4714P75	Pin, Roller Locating
AD-96	211A3256P2	Cotter, Hairpin
AD-97	243A4714P77	Spring, Extension
AD-98	211A3256P2	Cotter, Hairpin
AD-99	244A7335P99	Rod, Crank
AD-100	244A7335P100	Grip, Handle
AD-101	244A7335P101	Crank Rod, Extension Assembly
AD-102	244A7335P102	Bracket, Mounting
AD-103	244A7335P103	Clip, Back-Up
AD-104	N22P23016B6	Bolt, Hex Head 5/16-18 x 1
AD-105	211A3515P1	Decal, Caution
AD-106	211A3516P1	Decal, Caution
AD-107	243A4937P1	Decal, Circuit Breaker
AD-108	243A7335P108	Chute Guard
AD-109	243A7335P109	Link Chain
AD-110	243A7335P110	Pin, Lift Strap Mounting

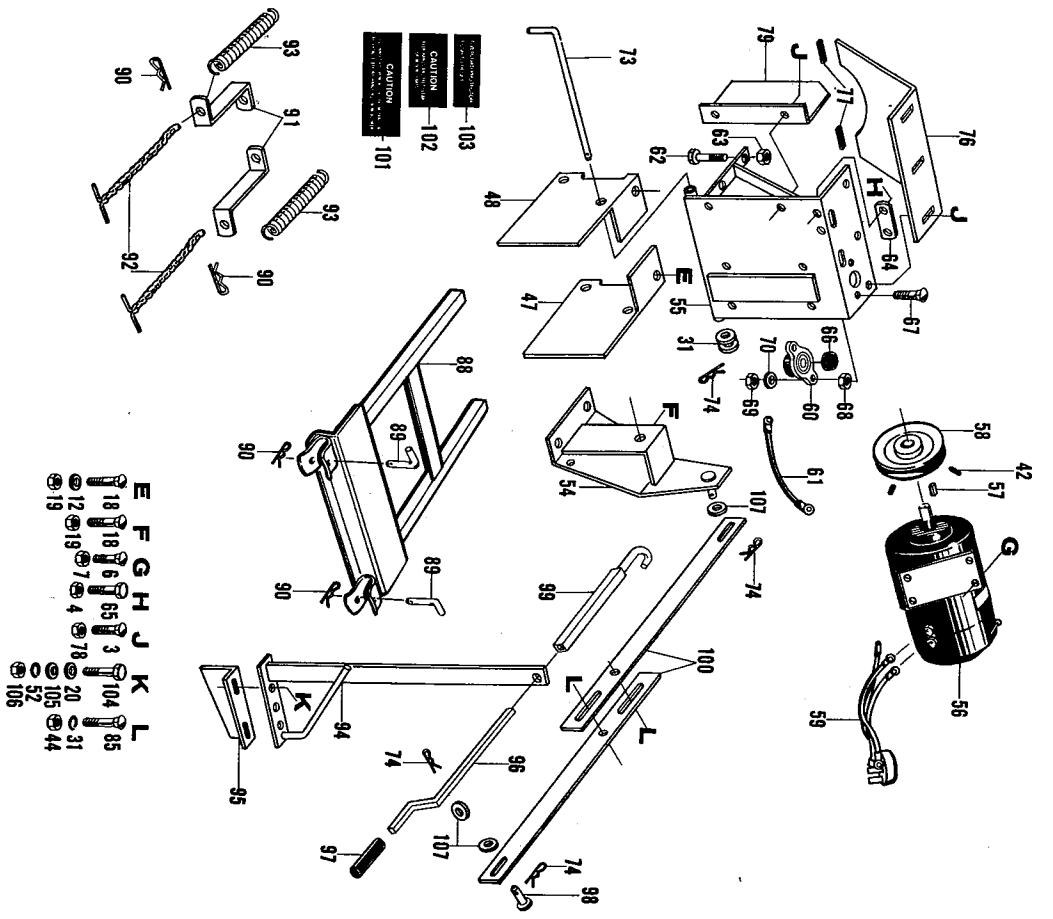
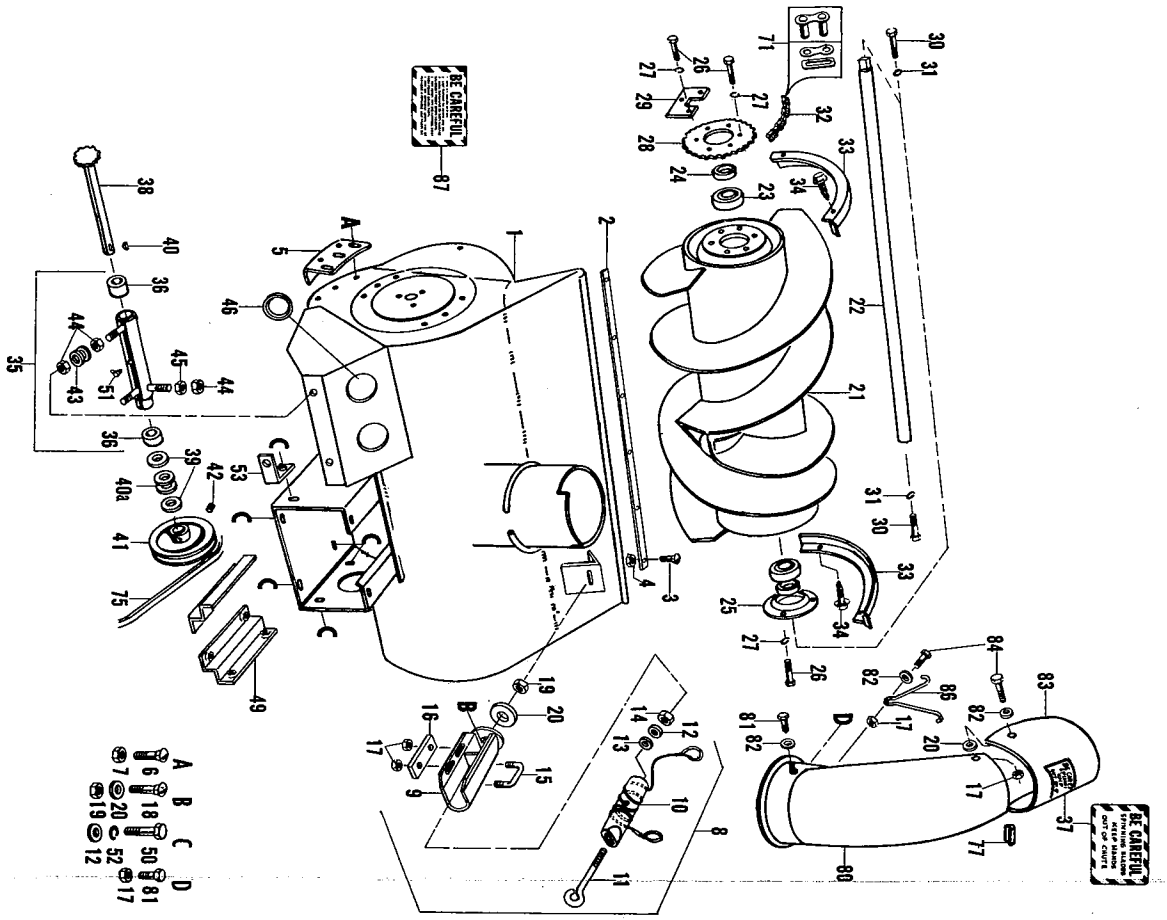


Fig. AC-7
16-18

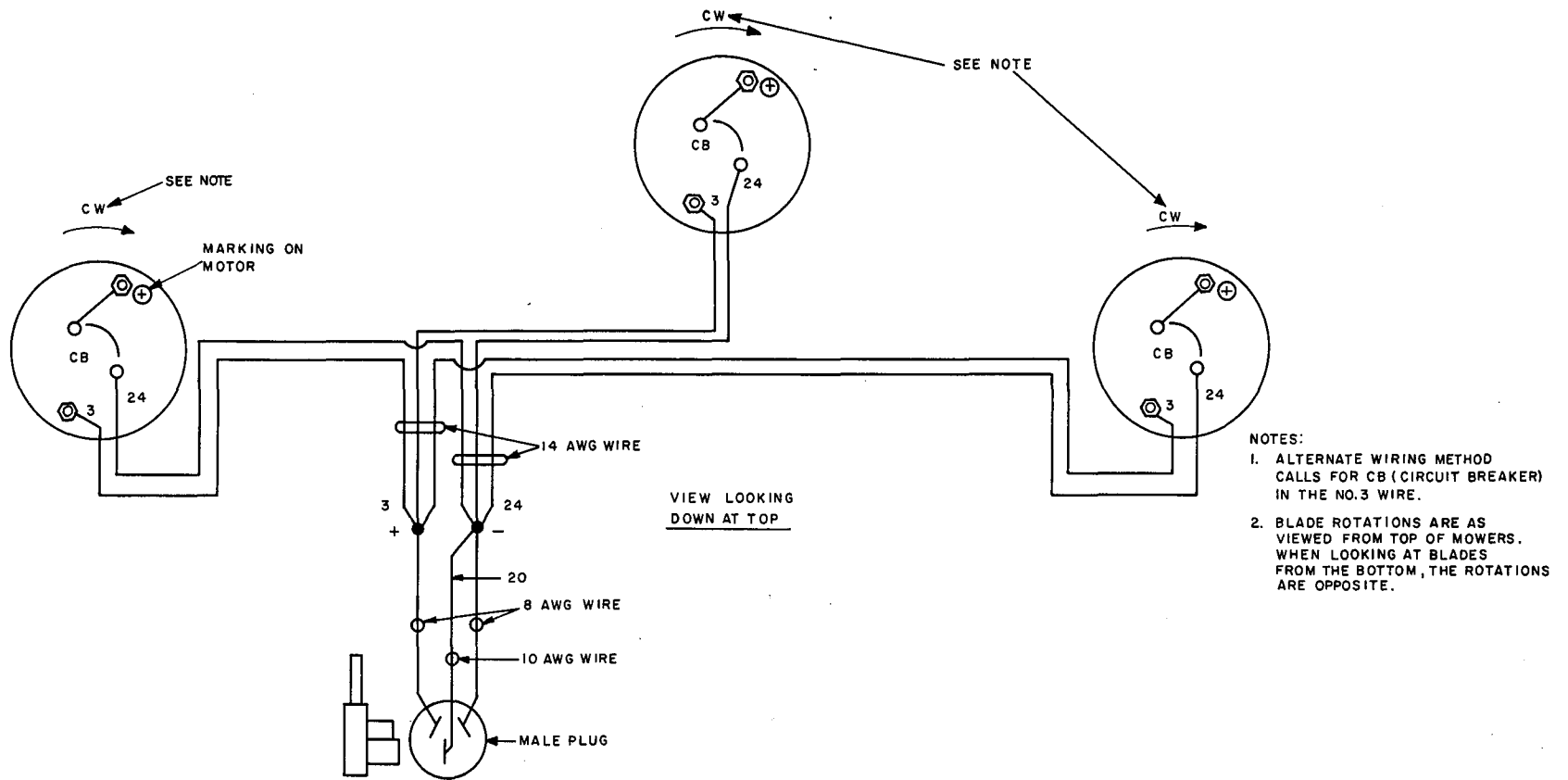


Fig. 6-1 26AA42 Mower Wiring

GENERAL  ELECTRIC

Electrak[®]

LAWN AND GARDEN EQUIPMENT

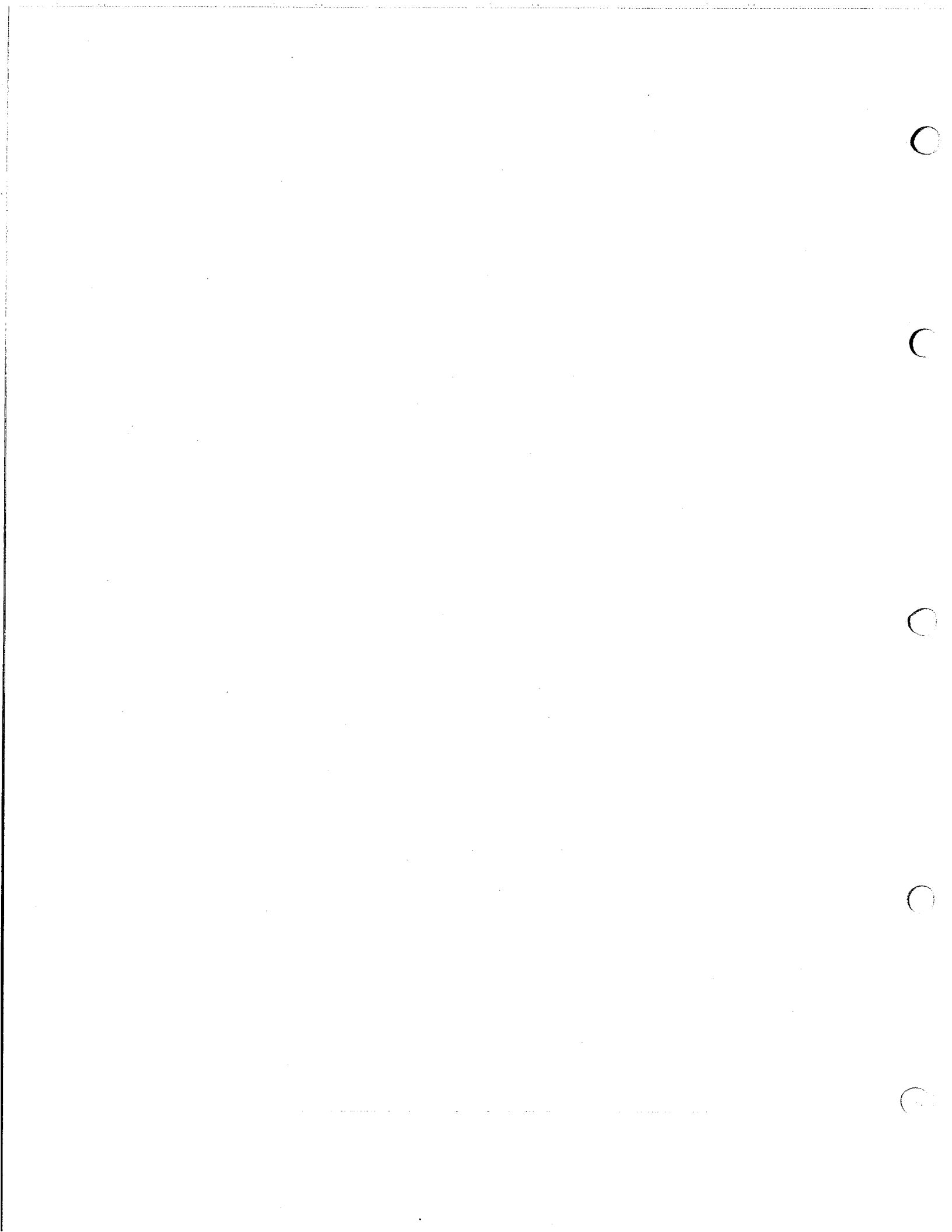
MASTER PARTS PRICE LIST

TO USE THIS PRICE LIST:

1. Find the part number in the parts catalog or other source.
2. Locate the part number in the price list. The price list is arranged numerically, first by the three digits before the letter designation, and then by the digits following the letter designation.
3. With the part number located, read the prices from the columns to the right.
4. Part numbers for tractors, attachments, accessories, service tools, hardware and publications are combined in this list.

April 1973

GENERAL ELECTRIC COMPANY
OUTDOOR POWER EQUIPMENT OPERATION
CORPORATIONS PARK
SCHENECTADY, NEW YORK 12345



SPARE PARTS PRICE LIST APRIL 1973

DESCRIPTION	DWG NO	DIR NET	SUG LIST
TRANSAXLE PARTS	113L11001	22.00	27.50
TRANSAXLE	127D8001P1	139.00	185.00
UNDERCARRIAGE HARNESS	127D8003G1	34.25	45.75
CONTROL PANEL HARNESS	127D8006G1	64.50	86.00
CONTROL PANEL HARNESS	127D8008G1	54.50	72.65
DECAL R.H.	127D8009P1	.55	.80
DECAL L.H.	127D8009P2	.55	.80
UNDERCARRIAGE HARNESS	127D8011G1	37.70	50.35
CONTROL PANEL HARNESS	127D8012G1	34.55	46.10
TRANSAXLE	127D8015P1	125.00	166.50
DASH COMPARTMENT	127D8019P1	14.30	19.00
DASH COMPARTMENT	127D8019P2	14.10	18.80
STEERING WHEEL	127D8023P1	9.40	12.50
CHARGER SUB ASSEMBLY	127D8024G3	59.50	79.25
CHARGER SUB ASM	127D8024G4	74.50	99.50
FRONT GRILLE	127D8033P1	7.05	9.40
CABLE HARNESS	127D8048G4	16.10	21.50
UNDERCARRIAGE HARNESS	127D8059G1	32.80	43.75
UNDERCARRIAGE HARNESS	127D8071G1	33.75	44.85
CONTROL PANEL HARNESS	127D8073G1	34.40	45.70
UNDERCARRIAGE HARNESS	127D8074G1	33.40	44.50
CABLE HARNESS	127D8079G1	15.35	20.40
HEADER HOUSING	127D8083G1	76.85	105.00
DASH PANEL	127D8090P2	3.00	4.00
SIGNATURE PLATE RH	127D8091P3	1.75	2.35
SIGNATURE PLATE LH	127D8091P4	1.75	2.35
SIGNATURE PLATE RH	127D8093P3	1.75	2.35
SIGNATURE PLATE LN	127D8093P4	1.75	2.35
SIGNATURE PLATE RH	127D8094P3	1.75	2.35
SIGNATURE PLATE LH	127D8094P4	1.75	2.35
ELECTRAK INSIGNIA	127D8095P3	1.40	1.85
ELECTRAK INSIGNIA	127D8095P4	1.40	1.85
UNDERCARRIAGE HARNESS	127D8097G1	32.35	42.95
UNDERCARRIAGE HARNESS	127D8099G1	33.90	45.00
CHASSIS HARN	127D8100G1	32.90	43.85
UNDERCARRIAGE HARNESS	127D8105G1	30.70	41.20
DASH PANEL	127D8106P1	2.25	3.00
CONTROL PANEL HARNESS	127D8112G1	23.90	31.80
CONTROL PANEL ADDER HARNESS	127D8113G1	19.80	26.40
POLY BAG - FRONT	155C8005P1	.55	.75
POLY BAG REAR	155C8006P1	.80	1.00
PUSH TUBE ASM	155C8009G1	19.75	24.65
PUSH TUBE ASM	155C8009G2	18.95	25.50
GRILL HARNESS E20	155C8019G1	23.10	30.80
GRILLE HARNESS	155C8064G1	22.00	29.35
THROTTLE HARNESS	155C8065G1	7.60	10.15
BATTERY TRAY REAR	155C8069P1	3.45	4.60
BATTERY TRAY FRONT	155C8070P1	2.10	2.85
BATTERY TRAY	155C8070P2	1.90	2.55
DASH HARNESS	155C8072G1	9.60	12.80
MOTOR MOWER	155C8075P1	39.25	52.45
WIRE BOX	155C8079P1	1.90	2.50
BRAKE PEDAL ASSEMBLY	155C8080G1	14.20	19.00
MOTOR PLATE	155C8083P1	5.15	6.85
GRILL HARNESS E15EA	155C8084G1	22.00	29.35

PRICES SUBJECT TO CHANGE WITHOUT NOTICE

SPARE PARTS PRICE LIST APRIL 1973

DESCRIPTION	DWG NO	DLR NET	SUG LIST
MOTOR	155C8086P1	37.00	49.50
TRAY, BATT	155C8094P1	2.45	3.25
BULKHEAD	155C8100P1	2.90	3.85
CHARGER BASE	155C8103P1	4.25	5.65
LIFT QUADRANT ASM	155C8106G1	3.20	4.25
TIRE-WHL ASM FR	155C8121G1	14.90	19.85
TIRE-WHL ASM FR	155C8121G2	15.90	21.80
LINER	155C8122P1	.75	1.00
TIRE-WHL ASM RR	155C8125G1	20.90	28.80
BELT GUARD	155C8126P1	2.40	3.20
TIRE-WHL ASM RR	155C8131G1	25.90	34.50
DASH HARNESS	155C8132G1	1.45	1.95
DASH HARNESS	155C8136G1	2.20	2.90
STEERING SHAFT SUPPORT	155C8141P1	3.80	5.05
MOTOR COMP. COVER	155C8142P1	3.50	4.65
COVER, BELT	155C8147P1	2.65	3.50
BRAKE ASM	155C8149G1	7.25	9.65
CHARGER COVER	155C8160P1	5.00	6.65
INSTRUCTION DECAL	155C8167P1	.35	.45
DASH HARNESS	155C8178G1	2.20	2.90
SEAT ASSEMBLY	155C8199G1	12.50	16.70
GRILL HARNESS	158C9006G1	19.80	26.40
MOTOR HD	158C9011P1	55.00	73.50
MOUNTING FRAME	158C9015G1	14.50	19.30
SEAT (FORMED)	158C9024P1	22.10	29.40
THROTTLE HARNESS E12	158C9044G1	7.25	9.65
BAFFLE	158C9045P1	3.00	4.00
HOOD ASM	158C9050G1	18.70	24.90
HOOD ASSEMBLY	158C9050G2	19.35	25.80
HOOD ASSEMBLY E20	158C9050G3	18.60	24.70
THROTTLE HARNESS	158C9051G1	5.20	6.90
HARNESS, DASH	158C9052G1	6.05	8.05
GRILL HARNESS	158C9053G1	15.75	21.00
DASH HARNESS	158C9056G1	7.35	9.80
CONTROL PANEL ADDER HARNESS	158C9064G1	3.90	5.20
TIRE (FRONT) WIDE	163B9707G1	16.35	21.80
ADJUSTER ASM	163B9801G1	5.95	7.95
ADJUSTER ASM	163B9801G2	5.95	7.95
LIFT STRAP&CLIP	163B9802G1	3.25	4.35
CARD 1	163B9814G1	24.95	33.25
DASH PANEL	163B9821P1	2.50	3.30
STEERING WHEEL(E-15)	163B9843P1	7.95	10.60
DRIVE MOTOR E-15	163B9862P1	147.00	196.00
MOWER BLADE	163B9871P1	2.30	3.10
BLADE	163B9871P3	2.45	3.25
BATTERY CLAMP (RR)	163B9875G1	4.55	6.00
TRANS PULLEY	163B9877P1	7.95	10.60
BATTERY CLAMP ASM	163B9887G1	13.00	17.30
BRAKE PAWL	163B9899P1	4.35	5.80
PWR RESISTOR ASM	163B9904G1	15.95	21.45
HEAT SINK ASM	163B9905G1	6.15	8.15
TIMER ASM (BATTERY CHARGER)	163B9906G2	13.50	17.95
TIMER ASSEMBLY	163B9906G4	10.65	14.15
RESISTOR SUPPORT(E-20)	163B9907P2	1.50	2.00
WIRING HARNESS	163B9918G1	14.90	19.25
CONVIENCE HITCH	163B9919P1	2.90	3.90

PRICES SUBJECT TO CHANGE WITHOUT NOTICE

SPARE PARTS PRICE LIST APRIL 1973

DESCRIPTION	DWG NO	DLR NET	SUG LIST
CLUTCH ASM	163B9932G1	1.45	1.95
CLUTCH ASM	163B9932G2	1.60	2.15
REFLECTOR & LIGHT ASM	163B9936G1	1.75	2.35
REAR ROLLER ASM	163B9947G2	14.85	19.80
TRANSFORMER	163R9955P1	60.50	80.85
CARD 4	163B9977G1	23.10	30.80
WIRING HARNESS	163B9995G1	14.90	19.25
DRIVE MOTOR E-20	163B9996P1	157.00	210.00
THROTTLE BOX (E-20)	163B9997P1	4.55	6.05
COVER ASM (THROTTLE)	163B9999P1	4.55	6.05
THROTTLE RAIL	178B8000P1	1.05	1.40
PEDAL THROTTLE	178B8001P1	2.50	3.30
SEAT CUSHION (BOTTOM)	178B8003P1	11.55	15.40
LOWER CONTROL PANEL	178B8006P1	3.20	4.25
DOUBLE SOLENOID	178B8009P1	12.35	16.40
POWER RESISTOR ASM	178B8012G1	17.05	22.85
EDGE CONN (E-20)	178B8013P1	.55	.75
EDGE CONNECTOR	178B8013P3	.55	.75
DECAL (E-20) (ELEC TRAK)	178B8024P1	.35	.45
SEAT CUSHION	178B8030P1	12.90	17.20
CHARGER COVER	178B8031G1	11.55	15.40
FRONT AXLE FABRICATED	178B8032G1	25.60	34.00
DRIVE MOTOR E-12	178B8034P1	126.00	168.00
HANDLE ASM. ANGLING	178B8058G1	5.85	7.30
WEAR BAR	178B8059P1	5.15	6.85
WEAR BAR	178B8059P2	5.00	6.70
HAND LEVER	178B8060P1	.85	1.10
HANDLE	178B8081G1	1.30	1.75
CRUISE CONTROL HARNESS	178B8095G1	3.15	4.20
THROTTLE HARNESS E-20	178B8097G1	5.20	6.90
CARD 4	178B8107G1	23.75	31.65
DASH PANEL	178B8132P1	3.55	4.70
MANUAL LIFT HANDLE ASM	178B8134G1	20.65	26.95
POWER DISCONNECT	178B8137G1	10.15	13.50
TRANSFORMER	178B8146P1	43.00	57.35
BRAKE SUB-ASSEMBLY	178B8150G1	6.35	8.50
BRAKE SUBASM	178B8150G2	6.70	8.90
LIFT QUADRANT ASM	178B8151G1	6.25	8.25
MOWER LIFT ARM ASM	178B8156G1	13.60	18.40
BATTERY CABLE	178B8165G1	1.90	2.50
BATTERY CABLE	178B8165G7	1.25	1.65
BATT CABLE	178B8165G8	3.10	4.15
BATT CABLE	178B8165G10	1.90	2.50
BATT CABLE	178B8165G11	4.50	6.00
EXT BAR	178B8167P1	2.60	3.50
WIRE HARNESS	178B8169G1	13.10	15.95
SNOW BLOWER MOTOR	178B8170P1	150.00	196.00
BLADE	178B8175P1	3.20	4.30
MOWER BLADE 15	178B8175P2	3.20	4.30
MOWER LIFT ARM ASM	178B8176G1	9.00	12.00
YOKE	178B8195P1	4.75	6.35
ROD, TIE	178B8203P1	4.05	5.40
ROD, TIE	178B8203P2	3.70	4.90
FRONT AXLE	178B8215G1	25.60	34.00
MOTOR-DRIVE, F8	178B8216P1	93.75	125.00
SPINDLE	178B8217G1	7.65	10.20

PRICES SUBJECT TO CHANGE WITHOUT NOTICE

SPARE PARTS PRICE LIST APRIL 1973

DESCRIPTION	DWG NO	DLR NET	SUG LIST
HOOD ASSEMBLY	178B8223G2	9.65	12.85
12 VOLT BATTERY	178B8236P1	25.87	34.50
HANDLE, PARKING BRAKE	178B8237P1	1.85	2.45
TIMER ASM	178B8238G1	9.55	12.70
MOTOR DRIVE, E10	178B8244P1	105.00	140.00
EXTEN. CABLE	178B8246G1	3.90	5.20
COVER & BRACKET ASM	178B8249G1	6.25	8.25
RAIL AND SWITCH ASM	178B8250G1	10.55	14.05
RAIL & SWITCH ASM	178B8250G2	10.55	14.05
SEAT HOUSING ASM	178B8252G1	15.35	20.50
ANGLING ROD	178B8255P1	4.10	5.45
DECAL, CORNER BLACK	178B8261P1	.15	.20
TORQUE PLATE	178B8262G1	7.80	10.80
BATTERY CLAMP RIGHT	178B8263P1	2.75	3.65
BATTERY CLAMP LEFT	178B8263P2	2.75	3.65
SHIFTING DECAL	178B8267P1	.20	.30
DECAL, F8M	178B8269P1	.20	.30
DECAL E10M	178B8270P1	.20	.30
ARM & SHAFT ASM	178B8278G1	6.15	8.20
SPINDLE	178B8282G1	7.65	10.20
PEDAL ASM	178B8283G1	3.55	4.70
CHARGER COVER (LOUVERED)	178B8286G1	12.70	16.90
CONTROL PANEL ADDER HARNESS	178B8310G1	3.60	4.80
CONTACTOR PTO	178B8385P1	11.45	15.20
STEERING ARM ASM	178B8402G1	7.80	10.40
CRANK ROD SUPPORT	178B8405G1	6.10	8.15
MOUNTING BRACKET	178B8407P1	1.25	1.65
STEERING ARM ASM	178B8409G1	6.45	8.60
COVER	178B8410P1	1.40	1.85
LIFT HANDLE ASM	178B8431G2	12.85	17.10
SPINDLE RIGHT	178B8448G1	8.35	11.10
SPINDLE LEFT	178B8449G1	8.25	11.00
POWER RESISTOR ASSEMBLY	178B8453G1	9.30	12.40
DIODE & VARISTOR ASM (E20)	178B8457G1	6.35	8.45
DIODE & VARISTOR ASM	178B8457G2	6.35	8.45
DIODE ASM	178B8458G1	5.50	7.30
FIELD RESISTOR ASM	178B8459G1	3.85	5.15
LIFT BAR ASM	178B8463G1	1.95	2.60
PLATE, FWD-REV	178B8468P1	.75	1.00
F-R CONTROL HARNESS	178B8472G1	3.40	4.55
BATTERY CLAMP (RIGHT)	178B8476P1	2.70	3.60
BATTERY CLAMP (LEFT)	178B8476P2	2.70	3.60
DECAL H.D.	178B8479P1	.50	.65
HARNESS THROTTLE	178B8480G1	4.60	6.15
SAFETY CHUTE 36 KIT	178B8481G1	9.37	12.50
ROLLER RUBBER	178B8489P1	.85	1.15
MOWER BLADE 30	178B8497P1	3.20	4.30
MOWER BLADE 15	178B8497P2	3.20	4.30
TIRE FRONT	191B4507G1	22.60	30.00
LIFT YOKE ASM	191B4523G1	3.85	5.20
BEARING 3/4 STEERING	211A3101P1	.85	1.10
BEARING 5/8 STEERING	211A3101P2	.85	1.10
HUB (PAINTED)	211A3107P1	8.20	10.90
DISK BRAKE CALIPER	211A3153G1	9.75	13.00
DISK I HUB	211A3154G1	4.90	6.55
CARD 3	211A3162G1	8.10	10.80

PRICES SUBJECT TO CHANGE WITHOUT NOTICE

SPARE PARTS PRICE LIST APRIL 1973

DESCRIPTION	DWG NO	DLR NET	SUG LIST
CARD 3	211A3162G2	8.10	10.80
SHUNT ASM	211A3164G1	2.35	3.05
INSULATOR	211A3165P1	.75	.95
RIVET	211A3191P1	.15	.15
SWITCH (START)	211A3198P1	1.55	2.05
SWITCH (1A,2A)	211A3198P2	1.55	2.05
SWITCH (FW,1-4)	211A3198P3	1.55	2.05
SPACER (E20)	211A3212P4	.30	.40
SHUNT PLATE	211A3213P3	1.60	2.10
WHEEL	211A3220P1	4.95	6.55
YOKE ASM	211A3221G1	4.75	6.35
DRIVE BELT E-12S	211A3226P2	3.60	4.80
DRIVE BELT E-20E-15 PAIR	211A3226P4	7.20	9.60
DRIVE BELT E-12	211A3226P5	3.60	4.80
DRIVE BELT E-12M	211A3226P10	3.60	4.80
BELT	211A3226P11	4.25	5.65
LIFT CLEVIS	211A3231P1	.85	1.10
CASTER BRG	211A3236P1	.30	.40
LEVER ASSEMBLY	211A3239G1	4.05	5.40
CIRCUIT BKR(DRIVE MOTOR)	211A3244P1	8.15	10.90
DECAL (PARKING BRAKE)	211A3247P1	.15	.20
KNOB	211A3249P1	.65	.80
KNOB	211A3249P3	.50	.70
TAIL REFLECTOR	211A3250P1	.65	.80
PULLEY(E-15)	211A3254P1	5.35	7.10
SPACER	211A3255P1	.15	.15
PIN	211A3256P2	.05	.10
HAIR PIN COTTER (FRONT LIFT)	211A3256P3	.15	.15
HAIR PIN COTTER	211A3256P4	.15	.20
BALL EMP ROD	211A3271P1	6.40	8.50
SHAFT	211A3410P1	2.05	2.70
LENS	211A3413P1	.80	1.05
STEERING SHAFT&PINION	211A3416G1	7.25	9.60
STEERING SHAFT & PINION	211A3416G2	7.90	10.45
SEAT SWITCH ASM	211A3420G1	3.25	4.35
MOWER MOTOR	211A3435G1	37.00	49.50
BATTERY CLAMP RIGHT	211A3439G1	2.80	3.70
BATTERY CLAMP LEFT	211A3439G2	2.80	3.70
BATTERY U CLAMP	211A3440G1	2.90	3.90
BATTERY CLAMP BAR	211A3442P1	.95	1.30
PUSIBLE LINK	211A3448P1	.85	1.10
FUSIBLE LINK	211A3448P2	.85	1.10
DRIVE DECAL(DASH)	211A3449P1	.25	.30
HELPER SPRING	211A3455P1	1.30	1.75
SPRING BRACKET	211A3465P1	.60	8.00
LFVER(PKING BRK)	211A3467P1	.50	.70
BRAKE ROD	211A3468P1	1.05	1.40
BRACKET(BRAKE)	211A3469P1	1.25	1.60
SPACER	211A3470P1	1.00	1.35
SPRING PIN	211A3471P1	.15	.20
BRAKE SWITCH	211A3481P1	3.10	4.15
PUSH NUT(SPRING CLIP)	211A3488P1	.15	.15
RETURN SPRING	211A3489P1	.40	.50
MOWER PARTS KIT REAR DISCHARG	211A3491G1	24.70	32.95
MOWER PARTS KIT SIDE DISCH	211A3491G3	24.70	32.95
SPOOL	211A3493P1	.75	.85

PRICES SUBJECT TO CHANGE WITHOUT NOTICE

SPARE PARTS PRICE LIST APRIL 1973

DESCRIPTION	DWG NO	DLR NET	SUG LIST
SHAFT	211A3494P1	1.00	1.40
TIMER DIAL	211A3498P1	.35	.45
SHOULDER SCREW	211A3504P1	.25	.30
CLEVIS PIN	211A3505P1	.35	.45
CLEVIS PIN(FRAME)	211A3505P2	.85	1.10
CLEVIS PIN	211A3505P3	.80	1.05
CLEVIS PIN	211A3505P5	.50	.65
CLEVIS PIN	211A3505P10	.10	.15
CLEVIS PIN	211A3505P13	.15	.20
CLEVIS PIN	211A3505P14	.10	.15
CLEVIS PIN	211A3505P17	.05	.05
TIMER	211A3507P1	5.80	7.65
BRACKET (CHGR)	211A3510P2	.35	.45
CAUTION DECAL	211A3511P1	.15	.20
CAUTION DECAL	211A3512P1	.20	.25
CAUTION DECAL	211A3513P1	.25	.30
CAUTION DECAL	211A3514P1	.25	.30
DECAL CAUTION	211A3515P1	.25	.35
DECAL CAUTION	211A3516P1	.25	.35
WASHER(LIFT ACT)(MTG)	211A3520P1	.25	.30
FUSE DECAL	211A3528P1	.15	.20
CIRCUIT BREAKER(MOWER MOTOR)	211A3530P1	2.20	2.95
CIRC BKR	211A3530P2	2.20	2.95
SPACER	211A3535G1	.70	.95
GEAR ASM(WELDED LIFT)	211A3539G1	8.00	10.70
BEARING, FLANGED	211A3540P1	.15	.20
BEARING, FLANGED	211A3540P3	.25	.30
BEARING FLANGED	211A3540P5	.15	.20
SHAFT	211A3542P1	2.50	3.85
SE EYE	211A3543P1	.30	.40
TUBING DASH ASM	211A3551P1	.15	.15
COVER ASM	211A3554G1	3.10	4.10
CORD ASM	211A3555G1	2.55	3.45
JUMPER WIRE	211A3556G8	1.05	1.40
REVERSE SWITCH	211A3558P1	2.45	3.25
REVERSE SWITCH	211A3558P2	2.45	3.25
LIFT ACTUATOR	211A3561P1	24.20	32.30
SPEED NUT	211A3562P1	.10	.10
BOLT HX HD LOCKING	211A3564P1	.20	.25
CAP SCREW	211A3564P3	.20	.25
KEY	211A3565P1	.15	.15
CONTACTOR(L1A,2A)	211A3567P1	5.75	7.60
SEAT SPRING	211A3577P1	.45	.55
SPRING	211A3577P3	.45	.55
SPRING	211A3577P12	.45	.65
SPRING	211A3577P13	.20	.25
SPRING, STEERING	211A3577P16	.20	.25
LOCK NUT, HEX	211A3582P1	.15	.15
LOCKING, PAN HD. PHILLIPS SCREW	211A3583P1	.15	.15
CURVED WASHER	211A3584P1	.15	.15
GROMMET(THROTTLE PEDAL)(E20)	211A3589P2	.15	.15
GROMMET	211A3589P4	.10	.15
LAMP, DASH GE1815	211A3591P1	.40	.50
LAMP, HEADLITE GE1076	211A3592P1	.45	.55
FRICTION PAD SET	211A3593P1	3.70	4.90
TERMINAL KIT	211A3594G2	15.30	19.15

PRICES SUBJECT TO CHANGE WITHOUT NOTICE

SPARE PARTS PRICE LIST APRIL 1973

DESCRIPTION	DWG NO	DLR NET	SUG LIST
SPINDLE (LEFT)	211A3595P1	8.00	10.70
SPINDLE (RIGHT)	211A3595P2	8.00	10.70
KEY	211A3597P1	.80	1.05
BATTERY PROT (WOOD)	211A3598P1	.55	.75
BATTERY PROTECTOR WOOD	211A3598P2	.55	.75
PAINT SPRAY YELLOW	211A3599P1	2.20	2.95
LEVER & HSG ASM	243A4500P1	8.95	11.90
SNAP RING	243A4500P2	.30	.40
RING QUAD	243A4500P3	.45	.55
PIN ROLL	243A4500P4	.30	.40
SHIFT LEVER HSG	243A4500P5	2.75	3.70
KEEPER	243A4500P6	1.10	1.50
SHIFT LEVER	243A4500P7	4.10	5.40
SPRING	243A4500P9	.20	.25
BALL	243A4500P10	.20	.25
FORK, SHIFTER	243A4500P11	3.80	5.05
AXLE, RH & LH	243A4500P15	16.10	21.40
GEAR, RING	243A4500P19	16.25	21.85
PIN, DRIVE	243A4500P20	1.85	2.45
BLOCK, DRIVE	243A4500P21	1.30	1.65
PINION, BEVEL	243A4500P22	4.60	6.15
SHAFT & GEAR BRAKE	243A4500P23	13.90	18.50
SNAP RING	243A4500P24	.20	.25
SHAFT & BEARING ASSEMBLY	243A4500P25	10.85	14.45
BEARING	243A4500P26	.80	1.00
GFAR CLUSTER	243A4500P27	9.05	12.05
STOP, SHIFTER	243A4500P29	1.45	1.90
GASKET	243A4500P30	.45	.55
GASKET, SHIFT LEVER HOUSING	243A4500P31	.20	.25
GEAR, SHIFTING 3RD & 4TH	243A4500P32	6.15	8.15
GEAR, SHIFTING 1ST&2ND	243A4500P33	9.70	12.95
GFAR, BEVEL	243A4500P34	4.60	6.15
GFAR, IDLER	243A4500P35	9.05	12.05
GEAR CLUSTER ASSEMBLY	243A4500P36	15.60	20.75
RING, SNAP	243A4500P38	.45	.55
SHAFT, INPUT	243A4500P39	6.70	8.90
SPUR GEAR INPUT	243A4500P40	11.00	14.95
WASHER, THRUST	243A4500P41	.45	.55
SEAL & RETAINER	243A4500P42	3.85	5.20
OIL SEAL	243A4500P45	.80	1.00
R H & L H AXLE HOUSING	243A4500P46	13.05	17.40
COVER ASSY	243A4500P47	29.55	39.20
CASE ASSY	243A4500P48	27.75	37.05
SCREW, SOCKET HEAD	243A4500P49	.20	.25
DOWEL PIN	243A4500P50	.20	.25
SCREW, HEX HD	243A4500P51	.20	.25
PLUG, MAGNETIC	243A4500P52	1.65	2.20
LOCKWASHER	243A4500P53	.15	.20
BRG, NEEDLE	243A4500P54	1.25	1.65
BRG, NEEDLE	243A4500P55	.90	1.20
BRG, BALL	243A4500P56	2.55	3.45
BRG, NEEDLE	243A4500P57	1.25	1.65
BRG, BALL	243A4500P58	2.75	3.70
BRG, NEEDLE	243A4500P59	1.10	1.50
OIL SEAL	243A4500P60	.55	.80
WASHER	243A4500P61	.15	.20

PRICES SUBJECT TO CHANGE WITHOUT NOTICE

SPARE PARTS PRICE LIST APRIL 1973

DESCRIPTION	DWG NO	DLR NET	SUG LIST
SHAFT & PINION	243A4500P62	6.50	8.65
BRG, NEEDLE	243A4500P63	1.65	2.20
SPUR GEAR	243A4500P67	4.10	5.40
BRG, THRUST	243A4500P68	.80	1.00
CARRIER ASSY	243A4500P69	13.40	17.90
CARRIER ASSY	243A4500P70	13.90	18.50
BUSHING	243A4500P71	.55	.75
O RING	243A4500P72	.45	.55
WASHER, THRUST	243A4500P73	.45	.55
WASHER, THRUST	243A4500P74	.30	.40
PLUG, PIPE	243A4500P75	.25	.35
RACE, THRUST	243A4500P76	.90	1.20
KNOB (PWR DISC)	243A4502P1	.45	.55
HYDROMETER	243A4505P1	1.75	
MULTIMETER	243A4507P1	13.25	
BATTERY SERVICE KIT	243A4508P1	13.15	
CRIMPING TOOL	243A4510P1	6.60	
CRIMPING TOOL	243A4510P2	11.50	
BATTERY FILLER	243A4512P1	3.15	
BATTERY LIFTING STRAP	243A4513P1	1.05	
REAR MOWER FLAP	243A4517P1	2.20	2.90
GRASS DEFL ASM	243A4519G1	2.90	3.90
STRIP	243A4520P1	1.50	2.00
POST CLAMP	243A4521P1	.40	.50
REAR BATTERY COVER	243A4522G1	3.45	4.60
FRONT BATTERY COVER	243A4523G1	2.10	2.85
PTO CONTACTOR	243A4524P1	15.95	21.45
6 VOLT STANDARD BATTERY	243A4527P1	25.16	33.55
PTO SWITCH	243A4531P1	1.60	2.15
LIFT SWITCH	243A4531P2	3.10	4.15
CRUISE CONTROL SWITCH	243A4531P3	1.05	1.40
PIN CONTACT	243A4539P1	.05	.10
MATE-N-LOCK (QTY OF 10)	243A4539P3	.50	
CABLE TIE	243A4540P2	.10	.15
RING (QTY OF 10)	243A4541P1	1.00	
RING (QTY OF 10)	243A4541P3	2.00	
RING (QTY OF 10)	243A4541P4	1.50	
RING (QTY OF 10)	243A4541P5	2.00	
RING (QTY OF 10)	243A4541P5	2.00	
RING (QTY OF 10)	243A4541P7	1.50	
RING (QTY OF 10)	243A4541P8	.50	
RING (QTY OF 10)	243A4541P9	1.00	
RING (QTY OF 10)	243A4541P10	1.00	
RING (QTY OF 10)	243A4541P11	1.00	
SOCKET 502	243A4542P1	2.20	2.95
COTTER HAIR PIN	243A4543P1	.20	.25
HAIR PIN COTTER	243A4543P3	.20	.25
COLLAR(EI5)	243A4547P1	.75	.95
SFT COLLAR	243A4547P2	.65	.85
TIMER KNOB	243A4549P1	.50	.70
SPACER	243A4550P1	.15	.20
SPACER	243A4550P2	.80	1.05
SPACER (E-20)	243A4550P8	.50	.70
SPACER (E-20)	243A4550P9	.50	.70
SPACER	243A4550P10	.25	.35
SPACER	243A4550P11	.30	.45

PRICES SUBJECT TO CHANGE WITHOUT NOTICE

SPARE PARTS PRICE LIST APRIL 1973

DESCRIPTION	DWG NO	DLR NET	SUG LIST
SPACER, LIFT	243A4550P14	.60	.80
SPACER, STEERING	243A4550P17	.55	.65
MATE-N-LOCK (QTY OF 10)	243A4552P2	.50	
RECEPTACLE (QTY OF 10)	243A4553P1	1.00	
PUSH NUT	243A4554P1	.10	.15
PUSH NUT	243A4554P2	.10	.15
PUSH NUT	243A4554P3	.05	.05
BEARING	243A4561P1	1.25	1.60
RFLAY(FW,REV)	243A4562P1	4.10	5.45
PLUG (P4)	243A4564P3	.25	.30
PLUG (P2)	243A4564P4	.25	.30
PLUG (P1)	243A4564P5	.40	.50
COMMON TAB (QTY OF 10)	243A4566P1	.50	
SPLICE (QTY OF 10)	243A4567P1	1.00	
JACK (J4)	243A4568P3	.25	.30
JACK (J1)	243A4568P4	.25	.30
JACK (J2)	243A4568P5	.45	.55
ADJUSTER SCREW	243A4571P2	.25	.30
SOCKET (PTO)	243A4572P1	2.75	3.70
KEY SWITCH	243A4573P1	3.80	5.10
LIGHT DASH	243A4574P1	2.20	2.95
BATTERY DISCHARGE TESTER	243A4575P2	79.95	
FIBRE WASHER	243A4576P1	.15	.20
WASHER	243A4576P3	.05	.10
CLUTCH BODY	243A4577P1	1.45	1.95
CLUTCH BODY	243A4577P2	1.45	1.95
CLUTCH WASHER	243A4578P1	.20	.25
CORD ASM	243A4579G1	4.60	6.10
BELLVILLE WASHER	243A4582P3	.15	.15
MOUNTING BASE BRAKE SWITCH	243A4585P1	.20	.25
THRUST WASHER	243A4587P1	.55	.75
WHEEL LUG	243A4589P1	.20	.25
BEARING (STEERING)	243A4590P1	.20	.25
FUSE BOARD (E-15)	243A4591P1	1.45	1.95
LOCKING SCREW	243A4592P1	.15	.15
SOCKET HOUSING	243A4596P1	.10	.15
SOCKET HOUSING	243A4596P3	.10	.15
FUSE (FU2)	243A4597P1	.25	.30
PIN HOUSING	243A4600P1	.10	.15
CIRCUIT BREAKER (SNOW BLOWER)	243A4606P1	7.90	10.45
ROLLER	243A4607P1	1.05	1.40
SHAFT (REAR ROLLER)	243A4608P1	2.45	3.20
GREASE FITTING	243A4609P1	.15	.20
SHIM WASHER	243A4613P1	.15	.15
FUEL LEVEL GAGE	243A4629G1	6.70	8.95
POWER USE GAGE	243A4630G4	5.65	7.50
HOOD RUBBER BUMPER	243A4639P1	.15	.20
HOOD RUBBER BUMPER	243A4639P2	.15	.20
BEARING (FR WHL)	243A4640P1	1.35	1.80
50 MIL WASHER	243A4642P1	.15	.15
WASHER	243A4642P3	.15	.15
SHAFT	243A4643P1	2.65	3.55
SPRING	243A4645P1	.30	.40
ARM	243A4647P1	3.10	4.15
TUBE	243A4648P1	.40	.50
WASHER	243A4649P1	.05	.10

PRICES SUBJECT TO CHANGE WITHOUT NOTICE

SPARE PARTS PRICE LIST APRIL 1973

DESCRIPTION	DWG NO	DLR NET	SUG LIST
DIODE	243A4652P1	.20	.25
CAPACITOR (CHGR ASM)	243A4653P1	5.80	8.25
CAPACITOR	243A4653P2	3.00	4.00
FUSE (FU3,FU4)	243A4657P1	.20	.25
STUD	243A4658P1	.30	.40
SHUR PLUG (QTY OF 10)	243A4660P1	.50	
BRUSH SPRING	243A4673P1	.40	.55
PULLEY (E12S)	243A4675P2	3.75	4.95
DRIVE MOTOR PULLEY	243A4675P5	2.55	3.45
GREASE TUBE (AP31)	243A4680P1	1.61	2.15
SCRAPER BLADE	243A4714P2	7.25	9.70
1/4-20 CARRIAGE BOLT	243A4714P3	.15	.20
SHOE SKID	243A4714P5	3.05	4.05
DEFLECTOR	243A4714P8	2.05	2.75
SUPPORT	243A4714P9	3.05	4.05
STACK DRIVE BRACKET ASSY	243A4714P10	3.15	4.20
TUBE & CABLE ASSY	243A4714P11	4.95	6.60
EYE BOLT (DRIVE TUBE)	243A4714P12	.30	.40
SPRING WASHER	243A4714P14	.15	.15
AUGER BRG	243A4714P19	6.40	8.55
FLANGETTE BRG	243A4714P20	1.30	1.65
ASSY AUGER SHAFT	243A4714P23	10.40	13.90
SPACER AUGER SHAFT	243A4714P26	.25	.30
SPROCKET AUGER DRIVE	243A4714P28	10.60	14.10
SPACER SPROCKET	243A4714P29	13.35	17.75
CHAIN AUGER DRIVE	243A4714P31	18.45	23.90
GUARD CHAIN	243A4714P32	2.40	3.15
ASSY MOUNTING PLATE	243A4714P34	5.80	7.70
KEY MOTOR	243A4714P36	.20	.25
SPOCKET MOTOR PLATE	243A4714P37	6.50	8.70
ASSY ADJUSTMENT BKT	243A4714P41	2.40	3.20
TRUNNION	243A4714P44	.55	.75
MOTOR COVER PLATE	243A4714P48	3.45	4.55
LIFT ROD CLAMP	243A4714P49	.50	.70
PLASTIC BUTTON PLUG	243A4714P57	.25	.30
ASSY CHANNEL BRACKET	243A4714P58	2.85	3.75
ROD CHANNEL	243A4714P60	1.20	1.55
DEFL ELBOW	243A4714P62	16.10	21.45
GREASE FITTING	243A4714P63	.15	.20
CONCAVE TOOTH WASHER	243A4714P64	.25	.30
MOLDING DEFL	243A4714P67	.30	.40
CHUTE GUARD	243A4714P71	.35	.45
CHUTE WARNING DECAL	243A4714P72	.30	.40
"BE CAREFUL" DECAL	243A4714P73	.65	.85
ASSY MTG FRAME	243A4714P74	22.90	30.55
ROLLER LOCATING PIN	243A4714P75	.55	.75
PIN	243A4714P76	.20	.25
EXTENSION SPRING	243A4714P77	3.05	4.05
CRANK ROD	243A4714P78	2.75	3.70
ASSY CRANK ROD SUPPORT	243A4714P79	2.05	2.70
CIRCUIT BKR	243A4719P1	3.95	5.25
BATTERY CAP	243A4720P1	.25	.35
6 VOLT HEAVY DUTY BATTERY	243A4724P1	31.46	41.95
COVER ASM (MOWER MOTOR)	243A4736P4	.70	.90
BRUSH ASM	243A4736P5	1.65	2.20
BEARING COMMUTATOR END	243A4736P6	2.20	2.95

PRICES SUBJECT TO CHANGE WITHOUT NOTICE

SPARE PARTS PRICE LIST APRIL 1973

DESCRIPTION	DWG NO	DLR NET	SUG LIST
BEARING DRIVE END	243A4736P7	3.10	4.15
SLEEVE	243A4739P1	1.40	1.90
SEAT PAN	243A4770P1	8.60	11.55
RIVET	243A4773P1	.10	.15
RIVET	243A4773P2	.10	.15
PULLEY (E20) MOTOR	243A4785P1	7.70	10.45
CLAMP (GUIDE BAR)	243A4786P1	.15	.20
SEAT SWITCH (E-20)	243A4790P1	1.60	2.10
DECAL (DOWNSHIFTING)	243A4794P1	.35	.45
THROTTLE CAM	243A4796G1	1.65	2.20
DECAL GEAR SHIFT	243A4797P1	.25	.35
SEAT PAN	243A4799P1	8.60	11.55
SEAT CUSHION (BACK)	243A4800P1	5.45	7.30
REAR SEAT KNOB	243A4801P1	.55	.80
FUSE BOARD (E-20)	243A4807P1	1.45	1.95
SLEEVE	243A4809P1	.15	.20
SLEEVE	243A4809P2	.10	.15
BATTERY CAP WRENCH	243A4810P1	.20	.25
FR SWITCH	243A4814P1	3.10	4.10
DECAL (CRUISE CONTROL)	243A4815P1	.20	.25
DECAL (F-R)	243A4815P2	.20	.25
BATTERY CHARGER KIT	243A4817G1	13.85	
RECEPTACLE (QTY OF 10)	243A4822P1	1.00	
RECEPTACLE (QTY OF 10)	243A4822P2	2.00	
PAD (THROTTLE PEDAL)(E-20)	243A4825P1	.90	1.25
CAP&MONOGRAM (E-20)	243A4828G1	.75	.95
CAP & MONOGRAM ASM	243A4828G2	.75	.95
HANDLE GRIP	243A4837P1	.40	.50
CRUISE CONTROL SW	243A4848P1	3.20	4.25
BATTERY CAP	243A4849P1	.20	.25
CUSHION BACK NON-ADJ	243A4852P1	4.65	6.20
CAP ASM (E-15)	243A4853G1	.25	.40
REAR TIRE	243A4857G2	46.40	61.60
CIRC BKR(MOTOR)(E-20)	243A4859P1	10.10	13.45
SHAFT ASM	243A4862G1	.55	.75
GREASE FITTING	243A4867P1	.15	.20
DECAL(SHIFTING)(E-20)	243A4869P1	.25	.30
REFL(TAIL) (E-20)	243A4870P1	.25	.30
BLADE ASM	243A4890G1	21.75	27.35
BLADE ASM	243A4890G2	20.95	27.00
PIVOT ROD	243A4891P1	2.15	2.90
PIVOT ROD	243A4891P2	2.05	2.75
SPRING, BLADE TRIP	243A4892P1	1.85	2.20
PIVOT PLATE ASM	243A4893G1	11.00	14.85
NUT - COUPLER	243A4894P1	.40	.50
PIN - DRILLED	243A4895P1	.95	1.25
PIVOT BAR LOCK	243A4896P1	1.95	2.45
SPRING	243A4897P1	.80	1.00
SPACER	243A4898P1	.40	.50
WASHER	243A4899P1	.35	.45
ROD ASM ANGLING	243A4903G1	4.25	5.30
CABLE ASM	243A4904P1	2.20	3.10
DIODE & RESISTOR ASM	243A4940G1	2.45	3.05
TERMINAL STRIP	243A4953P1	.10	.15
DIODE AND VARISTOR ASM	243A4970G1	3.85	5.20
REVERSE LIGHT	243A4979P1	2.05	2.75

PRICES SUBJECT TO CHANGE WITHOUT NOTICE

SPARE PARTS PRICE LIST APRIL 1973

DESCRIPTION	DWG NO	DLR NET	SUG LIST
CIRCUIT BREAKER	244A7000P1	8.50	11.30
CONTACTOR	244A7063P1	5.75	7.65
LIFT ARM ASM	244A7065G1	5.70	7.60
DISK AND HUB	244A7069G1	7.30	9.70
ROD ASM	244A7073G1	3.85	5.30
BUTTON	244A7078P1	1.65	2.20
ROD ASM	244A7081G1	4.10	5.40
ROD ASM	244A7081G2	3.30	4.40
CHAIN	244A7082P1	.45	.55
DECAL POWER PULSE	244A7088P1	.20	.25
CAP PLUG	244A7102P3	.05	.05
CHAIN OVA LINK	244A7112P1	.20	.30
S HOOK	244A7113P1	.10	.15
HANDLE GRIP	244A7120P1	.30	.40
BRAKE ROD	244A7126P1	2.40	3.15
BRAKE ROD	244A7126P2	2.40	3.20
MOUNTING PLATE	244A7127P1	.95	1.25
BUSHING	244A7128P1	2.10	2.80
BRAKE PEDAL ASM	244A7129G1	7.40	9.85
SHAFT ASM	244A7130G1	3.50	4.70
BRAKE SWITCH	244A7131P1	3.10	4.15
CONNECTING LINK	244A7135G1	2.95	3.95
CLEVIS AND ROD ASM	244A7143G1	2.75	3.70
WHEEL	244A7145P1	4.45	5.90
PAD	244A7159P1	.55	.75
CABLE CLIP	244A7160P1	.15	.20
CABLE CLIP	244A7163P1	.15	.20
CLEVIS	244A7168P1	1.10	1.50
CORD ASM	244A7171G1	5.40	7.15
SHAFT & SEG ASM	244A7175G1	9.15	12.20
SHAFT & PINION ASM	244A7176G2	3.90	5.20
SHIM	244A7177P1	1.05	1.45
STEERING ARM ASM	244A7180G1	5.35	7.10
STEERING ARM	244A7183G1	5.30	7.05
LIFT CABLE	244A7185P1	.90	1.20
SCREW	244A7203P1	.25	.30
ROLLER	244A7212P1	1.55	2.05
ROLLER	244A7212P3	1.15	1.55
MOWER WEAR SLEEVE	244A7215P1	.15	.20
RETAINER	244A7216P1	.15	.20
REAR WHEEL CLEVIS PIN	244A7221P1	.15	.20
SWITCH-PTO	244A7229P1	1.85	2.45
U-BOLT	244A7234P1	.20	.25
CASTER ASM	244A7260G1	8.20	10.95
BUMPER	244A7262P1	2.20	2.90
BELT RETAINER	244A7278G1	3.00	4.00
CAPACITOR CLAMP	244A7282P1	1.45	1.95
BATTERY HOLD DOWN	244A7283P1	2.45	3.25
BATTERY HOLD DOWN	244A7283P2	2.45	3.25
SHEAVE TRANSAXLE	244A7295P1	3.40	4.50
HUB & DISK ASM	244A7301G1	6.20	8.25
KEY SWITCH	244A7308P1	2.65	3.50
BATTERY PROTECTOR	244A7313P1	.85	1.15
BATTERY PROTECTOR	244A7313P2	.85	1.15
BATTERY PROTECTOR	244A7313P3	.85	1.15
BATTERY PROTECTOR	244A7313P4	.85	1.15

PRICES SUBJECT TO CHANGE WITHOUT NOTICE

SPARE PARTS PRICE LIST APRIL 1973

DESCRIPTION	DWG NO	DLR NET	SUB LIST
BATTERY PROTECTOR	244A7313P5	1.05	1.40
BATTERY CLAMP	244A7317P1	3.25	4.30
BATTERY CLAMP	244A7317P2	3.25	4.30
PULLEY, IDLER	244A7318P1	3.60	4.80
SPRING	244A7319P1	.10	.15
SEAT SUPPORT ASM	244A7321G1	4.50	6.00
WASHER, STEERING	244A7322P1	.05	.10
CAUTION DECAL	244A7325P1	.20	.25
DIODE ASM	244A7326G1	1.10	1.45
DIODE ASM	244A7326G2	1.10	1.50
SLEEVE, STEERING	244A7327P1	.15	.20
BEARING, DRIVE END	244A7329P4	1.65	2.20
BEARING, COMMUTATOR END	244A7329P5	1.15	1.55
BRUSH ASM	244A7329P7	.75	1.00
WIRE 30-01 (CHGR NEG)	244A7334G5	.45	.60
WIRE (CHGR POS)	244A7334G11	.50	.70
CONNECTION WIRE	244A7334G13	.50	.70
STACK DRIVE BRACKET	244A7335P9	3.95	5.10
TUBE & CABLE ASM	244A7335P10	6.95	9.25
U-BOLT	244A7335P15	.35	.45
STRAP	244A7335P16	.30	.35
AUGER ASM	244A7335P21	106.70	141.90
BEARING	244A7335P23	7.60	10.15
COLLAR	244A7335P24	1.05	1.45
FLANGETTE	244A7335P25	1.05	1.45
SPROCKET AUGER	244A7335P29	10.70	14.20
PRESSURE PLATE	244A7335P30	3.45	4.60
WASHER	244A7335P32	1.40	1.85
THRUST WASHER	244A7335P33	1.75	2.30
PLATE AUGER MTG.	244A7335P34	2.55	3.45
PLATE MOTOR STOP	244A7335P42	1.30	1.65
PLATE MOTOR MTG.	244A7335P43	6.30	8.40
BRACKET	244A7335P44	5.10	6.75
EYE BOLT	244A7335P46	.35	.45
SPRING	244A7335P56	.50	.75
SPACER	244A7335P59	.35	.45
BRACKET LIFT MTG.	244A7335P72	1.20	1.55
SPACER LIFT MTG.	244A7335P73	.35	.45
SPACER LIFT MTG.	244A7335P74	.35	.45
CHANNEL	244A7335P77	2.15	2.95
ELBOW & PIVOT ASM.	244A7335P79	20.90	27.85
DEFLECTOR ELBOW	244A7335P82	2.15	2.90
STRAP LOCKING	244A7335P87	1.60	2.10
CRANK ROD	244A7335P99	3.20	4.25
GRIP	244A7335P100	.35	.45
CRANK ROD EXT	244A7335P101	1.80	2.35
BRACKET CRANK ROD	244A7335P102	1.60	2.10
CLIP	244A7335P103	.40	.50
HOOK LIFT SPRING	244A7335P108	.15	.20
CHAIN LINK	244A7335P109	.75	.95
PIN LIFT STRAP	244A7335P110	.35	.45
FLAT WASHER	244A7365P1	.10	.15
ANGLE	244A7369P1	.60	.80
DECAL TIMER	244A7386P1	.15	.20
DECAL, CORNER RED	244A7389P1	.50	.70
SHEAVE (MOTOR)	244A7392P1	1.90	2.50

PRICES SUBJECT TO CHANGE WITHOUT NOTICE

SPARE PARTS PRICE LIST APRIL 1973

DESCRIPTION	DWG NO	DLR NET	SUG LIST
DECAL GENERAL ELECTRIC	244A7394P1	.15	.20
CABLE ASM	244A7399P1	2.40	3.20
STRAP	244A7404P1	.45	.60
ARM & BUSHING	244A7407G1	5.30	7.05
BRAKE ROD	244A7409P1	2.20	2.90
NUT, BRAKE	244A7414P1	.75	1.00
SPRING, RETURN	244A7415P1	.70	.90
PIVOT PIN	244A7416P1	1.05	1.40
BATTERY CAP (NEW HD & STD)	244A7420P1	.25	.35
LINE ASM	244A7424G1	.25	.30
CABLE CLIP	244A7438P1	.05	.10
CABLE CLIP	244A7444P1	.05	.10
DISCHARGE CHUTE ASM	244A7447G1	7.35	9.75
TRIM	244A7448P1	.55	.75
FUSE BOARD (FASTON TERM)	244A7463P1	1.40	1.85
HAND GRIP	244A7466P1	.05	.10
RFARING	244A7469P1	.20	.30
PARKING BRAKE DECAL	244A7471P1	.20	.25
GREASE FITTING	247A7301P1	.10	.15
COVER	247A7307G1	2.85	3.80
BATTERY COVER	247A7308G1	2.65	3.50
MOUNTING PLATE	247A7330P1	.85	1.15
CLEVIS	247A7331P1	1.30	1.75
RETURN SPRING	247A7332P1	.35	.50
LIFT BRACKET	247A7338P1	10.15	13.50
WIRING HARNESS	247A7351G1	7.50	10.00
KEY	247A7354P1	1.50	2.00
SHAFT & SEGMENT ASM	247A7372G1	9.15	12.20
PULLEY	247A7391P1	8.80	11.75
MOTOR BRACKET	247A7397P1	3.05	4.10
MOTOR BRACKET	247A7397P2	3.05	4.10
PIN	247A7398P1	2.75	3.60
MOWER MOTOR BRACK	247A7399P1	1.74	2.35
CLAMP	247A7400P1	.70	.95
COVER	247A7402P1	3.05	4.10
SEAT FORMED	247A7412G1	22.20	29.60
CRUISE CONTROL BUTTON(SWITCH)	247A7455P1	1.55	2.10
LOCK NUT	247A7466P1	.35	.50
PLUG SWITCH	247A7469P1	.35	.50
REVERSE LIGHT	247A7474P1	1.25	1.70
CRUISE LIGHT	247A7474P2	1.25	1.70
TIMER	247A7484P1	5.15	6.85
BEARING FLGD	247A7494P1	.10	.15
STUD	247A7504P1	.20	.30
SAFETY CHUTE 42 KIT	247A7505G1	9.37	12.50
LIFT BAR	247A7541P1	2.45	3.25
INSERT	247A7552P1	.10	.15
FOOT GUARD ASM	247A7595G1	2.70	3.60
SCRAPER BLADE	247A7606P2	7.15	9.50
STACK DRIVE BRACKET ASM(COMP)	247A7606P8	12.20	16.20
CABLE ASM	247A7606P10	5.70	7.75
AUGER ASM	247A7606P21	91.85	122.50
AUGER SHAFT	247A7606P22	14.90	19.75
AUGER SPROCKET	247A7606P28	7.10	9.45
AUGER DRIVE CHAIN	247A7606P32	13.40	17.80
JACK SHAFT HOUSING	247A7606P35	10.80	14.85

PRICES SUBJECT TO CHANGE WITHOUT NOTICE

SPARE PARTS PRICE LIST APRIL 1973

DESCRIPTION	DWG NO	DLR NET	SUG LIST
BUSHING	247A7606P36	.85	1.15
GREASE FITTING	247A7606P37	.10	.15
JACK SHAFT	247A7606P38	6.60	8.80
KEY	247A7606P40	.40	.55
PULLEY	247A7606P41	6.00	8.00
BRACKET	247A7606P53	.40	.55
MOTOR PLATE	247A7606P55	18.00	24.00
BOLT	247A7606P62	.10	.15
V-BELT	247A7606P75	6.50	8.65
ELBOW & DEFLECTOR	247A7606P80	16.10	21.40
DEFLECTOR	247A7606P83	1.95	2.60
BRACKET	247A7606P91	1.10	1.45
CHAIN & TOGGLE	247A7606P92	.95	1.25
LIFTSRING	247A7606P93	.95	1.25
TRANSAXLE	422D818P1	139.00	185.00
RT. SIDE PANEL	422D837P1	5.40	7.15
LFT SIDE PANEL	422D838P1	5.40	7.15
HOOD DECAL RH E12M	422D848P11	.80	1.00
HOOD DECAL LH E12M	422D848P12	.80	1.00
DECAL, GENERAL ELECTRIC	422D848P15	.25	.30
DECAL, ELEC-TRAK	422D848P16	.25	.30
DECAL, BODY RIGHT	422D848P17	.30	.40
DECAL, BODY LEFT	422D848P18	.30	.40
BAFFLE	423D204G1	17.25	22.95
SPEED CONTROL E-15AA	423D213G1	36.40	48.50
SPEED CONTROL E-15BA	423D213G2	36.40	48.50
SPEED CONTROL E-12SAA	423D213G3	36.40	48.50
SPEED CONTROL E-12SBA	423D213G4	36.40	48.50
SPEED CONTROL	423D213G5	36.40	48.45
FRONT GRILL (DRILLED & PAINTED)	423D214P1	35.90	47.85
FRONT GRILL (DRILL & PAINT)	423D214P2	35.90	47.85
UNDERCARRIAGE HARNESS (E-15)	423D215G1	37.70	50.35
CONTROL PANEL HARNESS E-15	423D216G1	31.80	42.40
LIFT ASM	423D217G1	74.00	99.00
REAR BATT BOX	423D221G1	26.40	35.20
CHARGER SUB ASM	423D225G1	74.50	99.20
UNDERCARRIAGE HARNESS	423D228G1	34.25	45.75
CONTROL PANEL HARNESS	423D229G1	41.60	55.50
UNDERCARRIAGE HARNESS	423D234G1	37.70	50.35
UNDERCARRIAGE HARNESS	423D234G2	34.25	45.75
CONTROL PANEL HARNESS	423D236G1	31.80	42.40
HOOD DECAL R H E12S	423D239P1	.55	.80
HOOD DECAL L H E12S	423D239P2	.55	.80
CONTROL PANEL HARNESS E-12S	423D241G1	31.80	42.40
CONTROL PANEL HARNESS	423D245G1	31.80	42.40
STEERING WHEEL (E-20)	423D255P1	10.45	13.75
SPEED CONTROL E-12	423D259G1	33.75	45.00
UNDERCARRIAGE HARNESS	423D275G1	34.25	45.75
CONTROL PANEL HARNESS	423D296G1	41.60	55.50
SPEED CONTROL	423D297G1	36.75	49.00
SPEED CONTROL E12	423D297G3	36.75	47.50
WHEEL & TIRE REAR	541C658G1	33.55	44.85
WHEEL & TIRE REAR E-15	541C658G2	30.55	40.75
SUPPORT (FR LIFT RIGHT)	541C668P1	3.30	4.40
SUPPORT (FR LIFT LEFT)	541C668P2	3.30	4.40
DECAL DASH (E-20)	541C681P1	.65	.85

PRICES SUBJECT TO CHANGE WITHOUT NOTICE

SPARE PARTS PRICE LIST APRIL 1973

DESCRIPTION	DWG NO	DLR NET	SUG LIST
BATTERY TRAY (REAR)	541C698P1	3.45	4.60
BATTERY TRAY (FRONT)	541C699P1	2.10	2.85
MTG BRACKET (STEERING ASM)	541C902P1	8.05	10.75
DISCHARGE CHUTE	541C906G1	7.35	9.75
GEAR COVER	541C907P1	.55	.70
WIRE COVER	541C909P1	2.10	2.75
WIRE BOX	541C910P1	1.90	2.50
WIRE BOX	541C910P2	1.90	2.50
MOTOR PLATE(E-15)	541C915P1	3.45	4.55
MOTOR PLATE COVER	541C915P2	3.45	4.60
	541C917P1	7.15	9.60
HARNES (SPEED CONTROL)	541C919G1	16.00	21.35
DASH HARNES	541C920G1	9.60	12.80
INSTRUCTION DECAL(UNDERHOOD)	541C922P1	.25	.30
GRILL HARNES	541C924G1	16.20	21.60
CASTER SUPPORT	541C926G1	6.85	9.15
PLASTIC BASE	541C932P1	5.30	7.05
REAR BATTERY BOX COVER	541C937G8	12.70	17.00
HOOD ASM E12S	541C940G3	22.45	29.95
HOOD ASM E12M	541C940G5	22.45	29.95
GRILL HARNES E-12	541C944G1	20.00	26.65
TIE ROD & BALL JOINT (RH)	541C950P1	3.80	5.10
TIE ROD & BALL JOINT (LH)	541C950P2	3.80	5.10
WHEEL & TIRE (FRONT) (NARROW)	541C951P1	15.80	20.50
DASH HARNES	541C955G1	9.60	12.80
THROTTLE HARNES	541C957G1	9.60	12.85
GRILL HARNES	541C958G1	17.85	23.80
GRILL HARNES (E-12S)	541C958G2	16.40	21.60
FRONT MOWER GUIDE	541C961G1	8.45	10.40
DASH HARNES	541C967G1	9.60	12.80
MOWER MOTOR	541C971G1	39.25	52.45
THROTTLE HARNES	541C985G1	7.60	10.15
DASH HARNES	541C994G1	9.60	12.80
LIFT STRAP BSKT	541C997P1	.80	1.00
LIFT STRAP BSKT	541C997P2	.80	1.00
MOWER ARM ASM	542C872G1	13.85	18.50
BRAKE PEDAL	542C893P2	4.80	6.40
GEAR & SECTOR ASM	542C898G1	15.20	20.25
GEAR AND SECTOR ASM	542C898G3	15.20	20.25
BAFFLE	587E934G1	17.25	22.95
HOUSING ASM	587E936G1	73.50	98.00
HOUSING ASM	587E960G1	48.25	64.25
SLEEVE	XL3101	.35	.45
TERMINAL RD KIT	XL8010	.40	.55
CENTER BOLT	XL8011	.20	.25
CLIP	XL8015	.20	.25
GROMMET & WASHER	XL8016	.45	.60
CARBON BRUSH & SPRING	XL8031	.65	.85
BRUSH CAP	XL8032	.20	.25
CLIP	XL8063	.45	.60
SWITCH (LESS KR)	XL8070	1.95	2.60
STRAIN RELIEF	XL8073	.15	.20
ESCUTCHEON	XL8083	.15	.20
BAFFLE	XL8103	.20	.25
BLADE	XL8138	2.95	3.95
BLADE ADAPTER	XL8144	2.00	2.65

PRICES SUBJECT TO CHANGE WITHOUT NOTICE

SPARE PARTS PRICE LIST APRIL 1973

DESCRIPTION	DWG NO	DLR NET	SUG LIST
SCREEN	XL8146	.25	.35
HANDLE BRACKET	XL8191	.60	.80
WHEEL HEIGHT ADJ	XL8198	1.70	2.25
BRACKET	XL8209	.60	.80
WHEEL HANDLE	XL8211	.65	.85
HANDLE BRACKET	XL8213	.45	.60
LATCH	XL8218	1.50	2.00
WHEEL	XL8221	1.60	2.15
MOTOR COVER	XL8225	4.25	5.65
BASE ASSEMBLY	XL8228	18.40	24.50
CORD SET	XL8233	1.75	2.35
HANDLE TUBE & SLEEVE	XL8239	5.00	6.65
HANDLE TUBE, LOWER	XL8240	4.70	6.30
LEVER	XL8241	.50	.65
SHOULDER BOLT	XL8242	.30	.40
WHEEL BOLT	XL8243	.30	.40
SWITCH HOUSING	XL8419	.60	.80
CORD SET & PLUG	XL8734	1.75	2.35
DRIVE UNIT	XL9000B	29.60	39.50
WIRE CONNECTOR	XX730	.70	.95
GROMMET	XX778	.15	.20
CLAMP CORD	XX782	.10	.15
CHAIN REPAIR KIT		.65	.85
PARTS CAT	GEF 4374	9.95	
PRODUCT SERVICE MANUAL	GEZ 5021	15.00	
SERVICE TRAINING MANUAL	GEZ 5337	2.50	
SIMPLIFIED TROUBLESHOOTING	GEZ 5689A	10.00	
LOCKING NUT HEX	N264AP21B6	.10	.15
KEY WOODRUFF	N3400P606	.10	.15
KEY WOODRUFF	N3400P809	.25	.30
KEY	N3402P6032	.25	.30
PLAIN WASHER	N402AP18B6	.10	.15
WASHER FOR FRONT LIFT	N402P45B6	.15	.20
COTTER PIN	N503P1216B6	.10	.15
COTTER PIN	N503P1220B6	.10	.15
ROLL PIN	N533P1316	.10	.15
SPRING DOWEL PIN 5/32 1 1/8	N533P1618	.10	.15
ROLL PIN	N533P1916	.10	.15
SPRING DOWEL PIN	N533P2516	.10	.15
SPRING DOWEL	N533P2520	.10	.15
SPRING DOWEL	N533P2524	.20	.30
RETAINING WASHER	N910P31B6	.20	.25
RETAINING RING	N922P62C6	.15	.20
SNAP RING	N922P75C6	.15	.20
SNAP RING	N922P75C6	.15	.20

PRICES SUBJECT TO CHANGE WITHOUT NOTICE