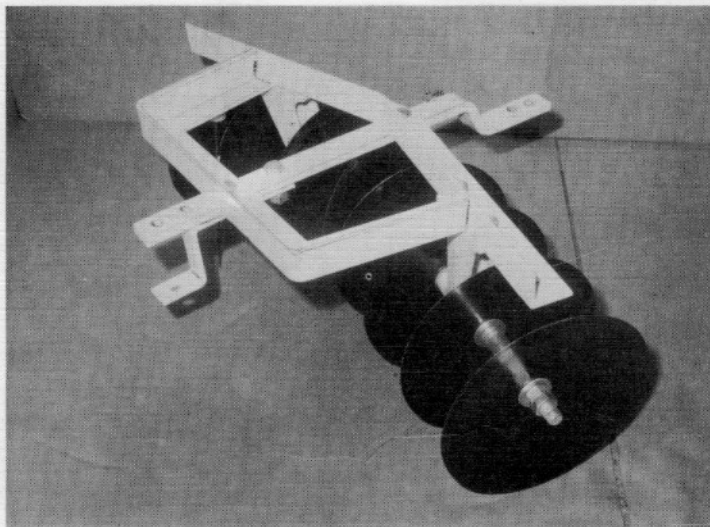


MODEL DD-500 DISC HARROW



COMBINATION FRONT
OR TANDEM REAR
DISC GANG ASSEMBLY

For use with Garden
Tractors equipped
with Sleeve or
Slot Type Hitches

ASSEMBLY INSTRUCTIONS
OPERATING INSTRUCTIONS
and
PARTS LIST

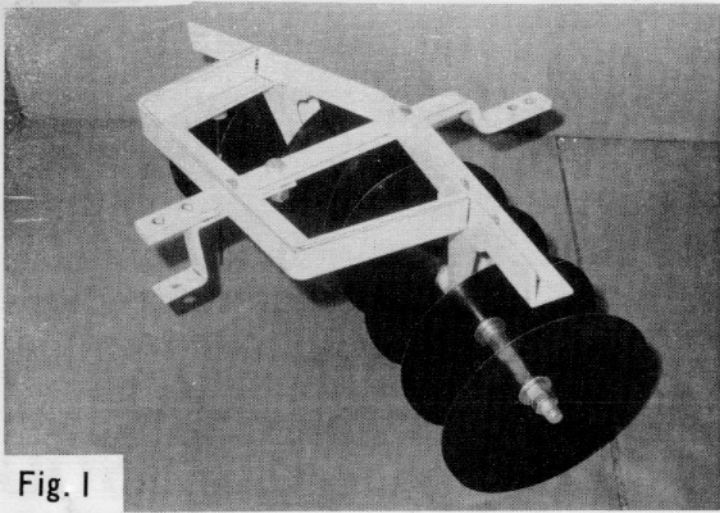


Fig. I shows Assembly of front Disk Harrow using Adaptor Coupler. The Coupler is used for attaching to Tractors equipped with tubular Sleeve Type Hitch only.

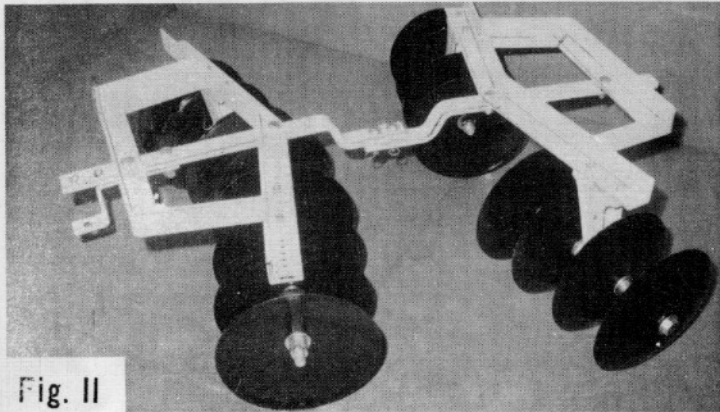


Fig. II shows Assembly of front and tandem Gangs for mounting to Tractors with tubular Sleeve Type Hitch only. **Do not attempt to lift front and tandem Gangs with Tractor Lift.**

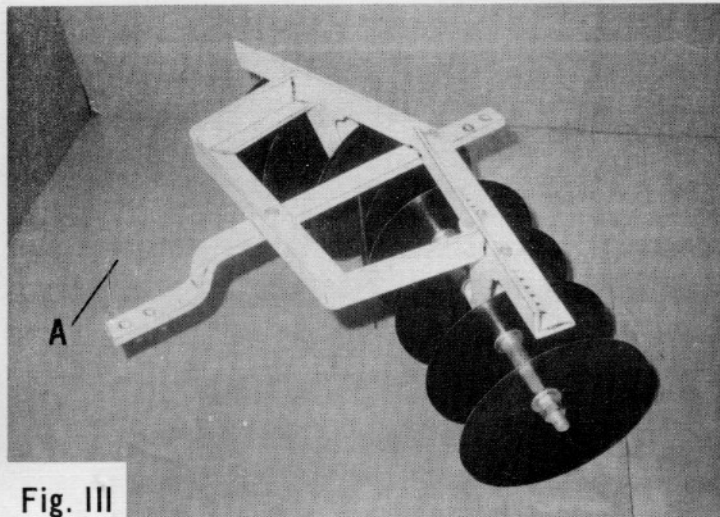


Fig. III shows Assembly of front Disk Harrow when used on Tractors equipped with Slot Type Hitch or Drawbar mountings. **Note:** Hitch Bar (A) should be turned over for mounting to higher Slot Type Hitches or Drawbars.

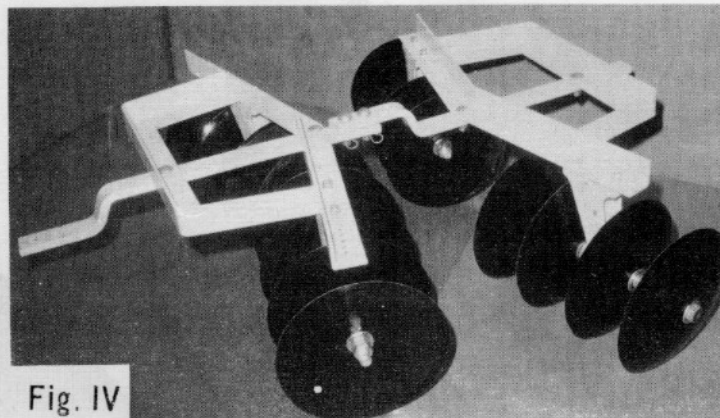


Fig. IV shows Assembly of front and tandem Gangs for mounting to Tractors equipped with Slot Type Hitches or Drawbar mountings. **Do not attempt to lift front and tandem Gangs with Tractor Lift.**

ASSEMBLY:

Assemble the two disk Gangs as shown on back page. Be sure the two unplated steel tubular Bearings are inside the two Bearing Hanger Castings before assembling. **Note:** Two nuts go on each Disc Gang Bolt and, after

assembly, be sure to grease bearings through the two grease fittings. Refer to Figs. I, II, III, or IV for final assembly, depending on Tractor Hitch type or operation of Disk (front or tandem).

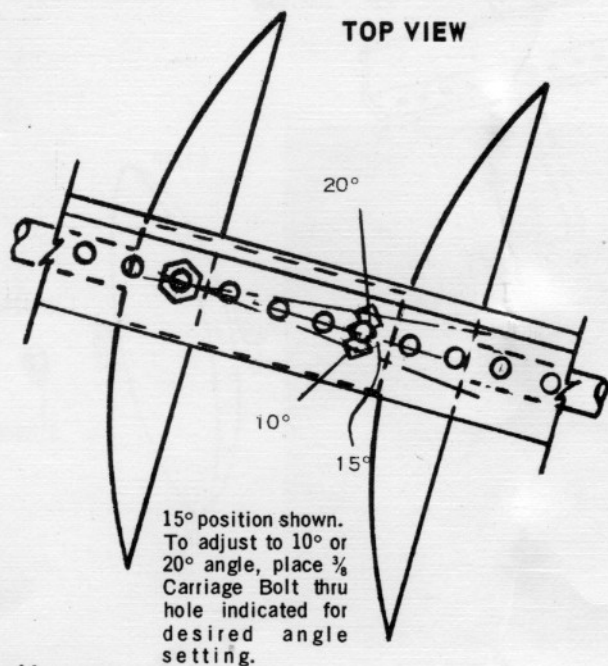


Fig. V

DISK GANG ANGLING:

The Disk Gangs may be set at angles of 10°, 15°, or 20°, or may be moved together or apart. Fig. V shows how to obtain the three different angles by moving one Carriage Bolt into the correct adjusting hole in the casting. When a Tandem Unit is used with a front Disk, it is recommended that the Disk Gangs be adjusted as shown in Figs. II & IV. The front Disk Gang is set close in order to throw the dirt out, and the rear tandem Disk Gang is set apart approximately 8" to throw dirt in.

the front Gangs, the ground stays level and does not have to be worked as often.

OPERATION:

FOR WORKING DOWN PLOWED GROUND:

(1) Set Disk Gangs at maximum angle of 20 degrees. (2) Place a standard 16" concrete building block or other heavy objects on top of the Harrow in the Angle Weight Box. Now, with the single Disk at maximum angle, dirt can be moved either out or in. To keep the ground relatively level, zig-zag and criss-cross while working. The type of soil and the weight on the Harrow will determine how many times you will have to go back and forth to get the kind of seed bed desired. Since the rear Gangs of the Harrow are always set in the opposite direction from

FOR CULTIVATION:

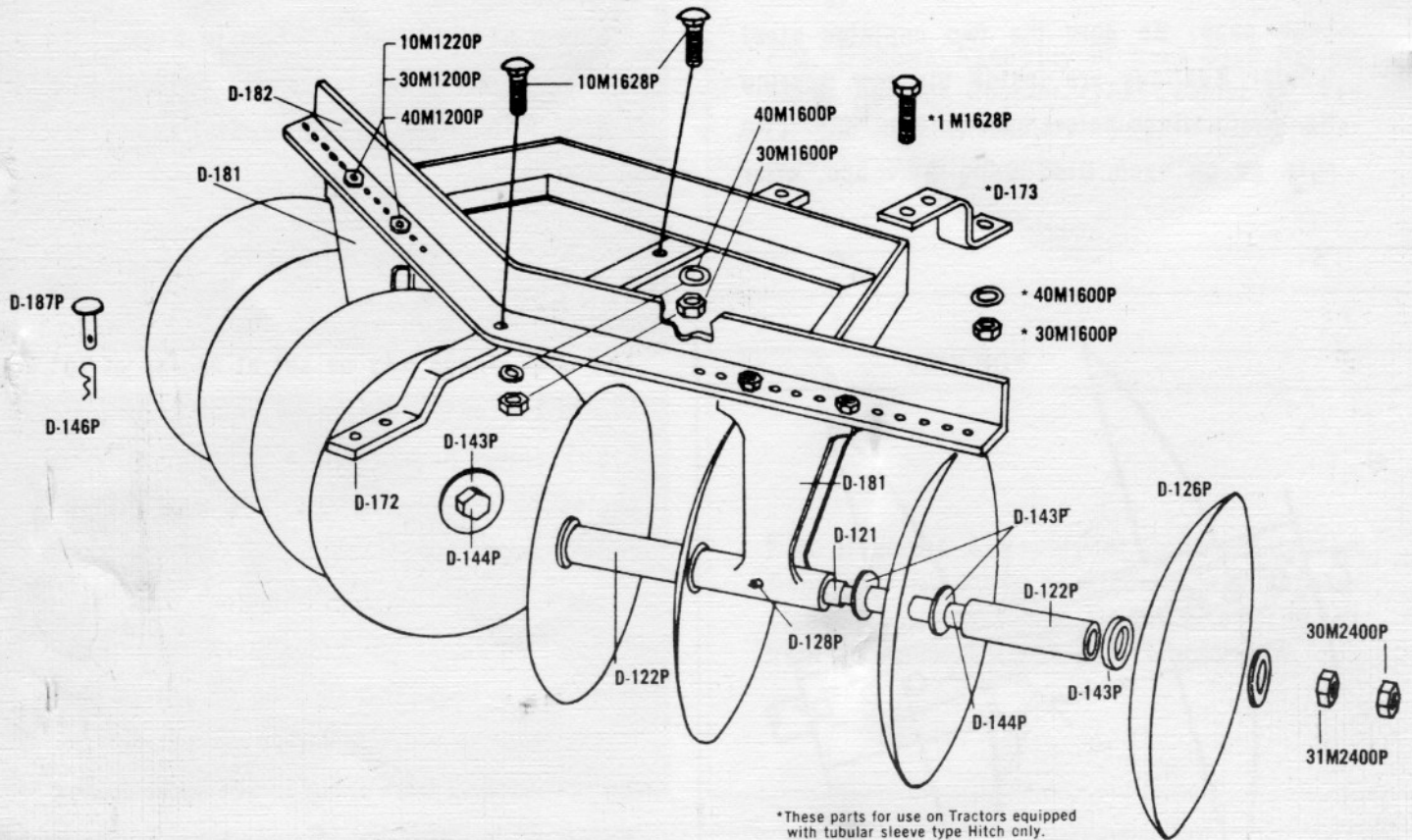
The Disc makes a very versatile cultivator when the plants are small. The Disk Gangs should be moved out to straddle the row and, by reversing sides, the Disks can be set to move dirt into the row or away from it.

The type of soil, the degree of angle and the weight on the Harrow will determine the depth of cut and the amount of dirt moved.

LUBRICATION:

Grease Disc Bearings every four hours of use.

Note: When putting away the Disk Harrow for the winter, remember to grease the bearings and wipe grease or oil on the Disk Blades to prevent rust.



REPAIR PARTS LIST—DD-500 DISC HARROW

PART NO.	NAME	QUANTITY	PART NO.	NAME	QUANTITY
D-182	Frame Assembly	1	10M1220P	Carriage Bolt (3/8-16x1¼)	4
D-172	Hitch Bar	1	40M1200P	Lockwasher (3/8")	4
*D-173	Adaptor Coupler	1	30M1200P	Hex Nut (3/8-16)	4
D-181	Bearing Hanger	2	D-144P	Gang Bolt (3/4-10x16")	2
D-128P	Grease Fitting	2	D-143P	Flat Washer (3/4")	16
D-121	Bearing	2	30M2400P	Hex Nut (3/4-10)	2
D-122P	Spacer	4	31M2400P	Hex Nut (Jam-3/4-10)	2
D-126P	Disc Blade (11" Dia.)	8	10M1628P	Carriage Bolt (½-13x1¾)	2
			40M1600P	Lockwasher (½")	2
			30M1600P	Hex Nut (1/2-13)	2
			*1M2032P	Hex Bolt (5/8-11x2)	1
			*40M2000P	Lockwasher (5/8")	1
			*30M2000P	Hex Nut (5/8-11)	1
			D-187P	Drilled Rivet	2
			D-146P	Hairpin Cotter	2

*These parts for use on Tractors equipped with tubular sleeve type Hitch only.