

REPAIR PARTS LIST

NO. L & G 2000

FOR



EGT 80 - ELECTRIC GARDEN TRACTOR
EGT 100 - ELECTRIC GARDEN TRACTOR
EGT 120 - ELECTRIC GARDEN TRACTOR
EGT 150 - ELECTRIC GARDEN TRACTOR

ATTACHMENTS & ACCESSORIES

EFFECTIVE DATE - FEB. 1974



COLDWATER, OHIO 45828, U.S.A.



EGT 80 - EGT 100



EGT 120 - EGT 150

MODEL	LOT NO.	YEAR
EGT 80	LT 1	1973
EGT 80	LT 5	1974
EGT 100	LT 2	1973
EGT 100	LT 6	1974
EGT 120	LT 3	1973
EGT 120	LT 7	1974
EGT 150	LT 4	1973
EGT 150	LT 8	1974

DIRECTIONS FOR ORDERING

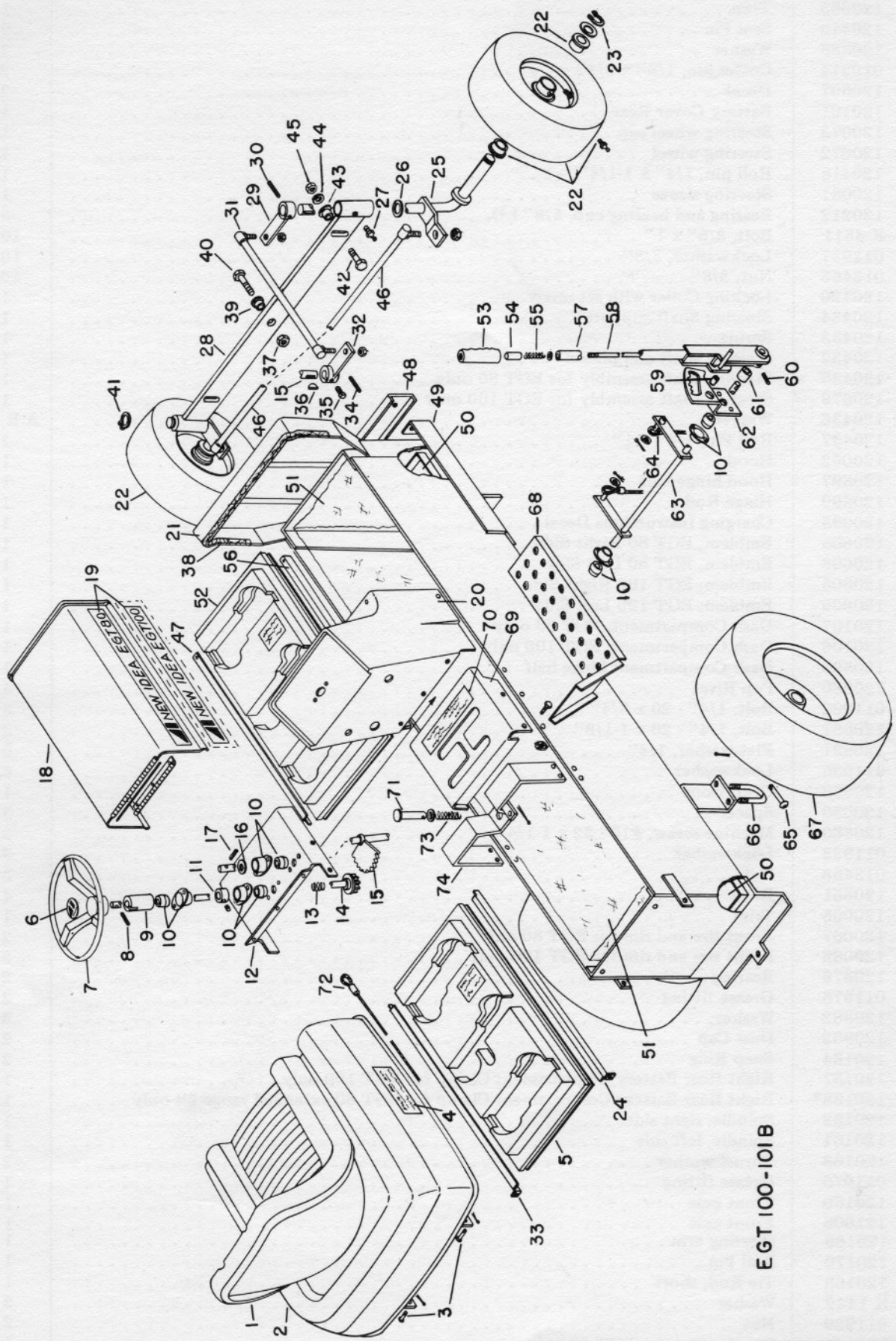
DO NOT ORDER REPAIR PARTS FROM ILLUSTRATION ONLY
 ALSO REFER TO THE DESCRIPTION OF THE PART

Always order repairs by number and give the description of the part. Right or left hand parts are determined by standing back of the machine looking in the direction of travel. Also give model, lot and serial number of unit.

When more than one part is used (in each group) it is so indicated in the description of the part.

DESCRIPTION	PAGE	DESCRIPTION	PAGE
Accessory Outlet	32	Main Frame & Attaching Parts EGT 80-100	3-4-5
Brake and Clutch Assembly EGT 80-100	6-7	Main Frame & Attaching Parts EGT 120-150	9-10-11
Brake and Transaxle & Lift EGT 120-150	7-8	36" Mower	24-25
Dump Cart	23	42" Mower	25-26
42" Dozer Blade	34	Manual Rear Lift	30-31
48" Dozer Blade	35	Platform Lift	26
Drive Motor EGT 80-100	36	Power Pack Booster	30-31
Drive Motor EGT 80-120	37	PTO Outlet	33
Electrical System EGT 80 - Standard	11-12	Radio Bracket	32
Electrical System EGT 80 - Extended Range	13-14	Rear Tail Light	33
Electrical System EGT 100	14-15	Rear Electric Lift	38
Electrical System EGT 120	16-17	Sweeper	20-21-22
Electrical System EGT 150	18-19	Sweeper Motor Drive	22
Electric Horn	32	Snow Thrower	27-28
Front Lift Derrick	31	Snow Thrower Lift Assy.	29-30
Front Imple. Mt. Bracket	31	Sleeve Hitch	32
Fuel Gauge	31	Speed Reduction	33
Hitch Adaptor	31	Index	38-39-40
Head Light Kit	33		

MAIN FRAME AND ATTACHING PARTS FOR EGT 80 AND EGT 100



EGT 100-101B

EGT 80 - LOT LT - 1-
EGT 100 - LOT LT - 2-

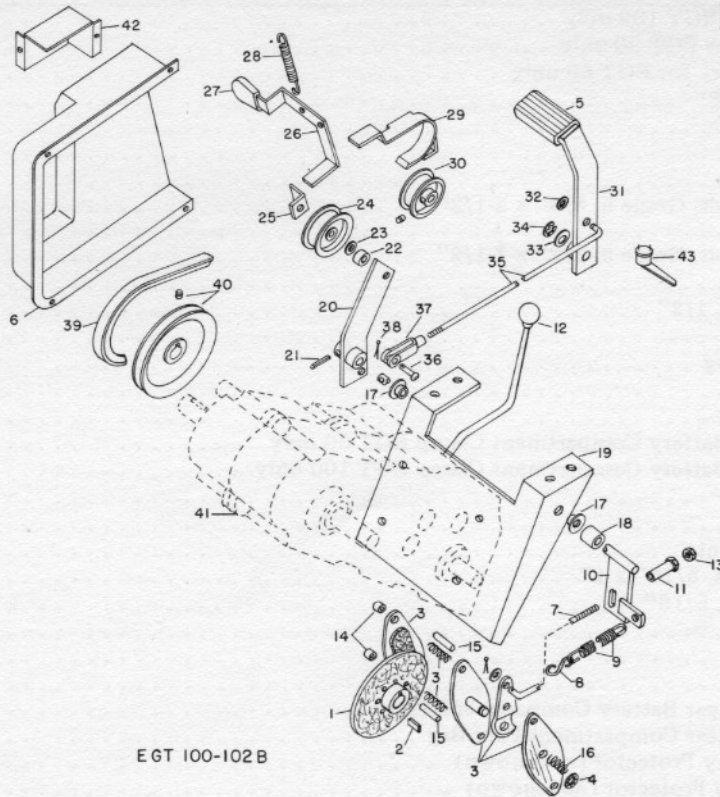
Key	Part No.	Description	Used	Lot No.
1	120670	Seat	1	LT 1-
2	120672	Seat Housing	1	LT 1-
	120065	Trim	1	LT 1-
3	120413	Seat Pin	2	LT 1-
	120888	Washer	2	LT 1-
	010214	Cotter pin, 1/8" x 3/4"	2	LT 1-
4	120607	Decal	2	LT 1-
5	120101	Battery Cover Rear	1	LT 1-
6	120073	Steering wheel cap	1	LT 1-
7	120072	Steering wheel	1	LT 1-
8	120418	Roll pin, 1/4" x 1-1/4"	1	LT 1-
9	120081	Steering sleeve	1	LT 1-
10	120212	Bearing and bearing cup, 5/8" I.D.	5	LT 1-
	K-4511	Bolt, 3/8" x 1"	10	LT 1-
	011937	Lockwasher, 3/8"	10	LT 1-
	013465	Nut, 3/8"	10	LT 1-
11	120420	Locking Collar with set screw	1	LT 1-
12	120434	Steering Shaft support	1	LT 1-
13	120433	Spring	1	LT 1-
14	120432	Steering shaft and pinion	1	LT 1-
15	120435	Steering shaft assembly for EGT 80 only	1	LT 1-
	120679	Steering shaft assembly for EGT 100 only	1	LT 2-
16	120436	Washer	A.R.	LT 1-
17	120437	Roll Pin, 1/4" x 1"	1	LT 1-
18	120062	Hood	1	LT 1-
	120897	Hood hinge half	1	LT 1-
	120899	Hinge Rod	1	LT 1-
	120093	Charging Instructions Decal	1	LT 1-
19	120605	Emblem, EGT 80 Right Side	1	LT 1-
	120606	Emblem, EGT 80 Left Side	1	LT 1-
	120608	Emblem, EGT 100 Right Side	1	LT 2-
	120609	Emblem, EGT 100 Left Side	1	LT 2-
20	120107	Dash Compartment, EGT 80 only	1	LT 1-
	120106	Dash Compartment, EGT 100 only	1	LT 2-
	120898	Dash Compartment hinge half	1	LT 1-
	120880	Pop Rivet	4	LT 1-
	011002	Bolt, 1/4" - 20 x 3/4"	3	LT 1-
	120881	Bolt, 1/4" - 20 x 1-1/8"	3	LT 1-
	120891	Flat washer, 1/4"	6	LT 1-
	011935	Lockwasher	6	LT 1-
21	120063	Grill, front	1	LT 1-
	120080	Spacer	3	LT 1-
	120860	Machine screw, #10 - 32 x 1-1/4"	3	LT 1-
	011933	Lockwasher	3	LT 1-
	013458	Nut	3	LT 1-
	120861	Rivet	4	LT 1-
	120065	Trim	1	LT 1-
22	120067	Front tire and rim for EGT 80 only	2	LT 1-
	120068	Front tire and rim for EGT 100 only	2	LT 2-
	120376	Bearing	2	LT 1-
	011976	Grease fitting	2	LT 1-
	120882	Washer	2	LT 1-
	120862	Dust Cap	2	LT 1-
23	120164	Snap Ring	2	LT 1-
24	120137	Right Rear Battery Compartment Clamp for EGT 100 only	1	LT 2-
	120138*	Right Rear Battery Compartment Clamp for EGT 80 extended range kit only	1	LT 1-
25	120162	Spindle, right side	1	LT 1-
	120161	Spindle, left side	1	LT 1-
26	120163	Thrust washer	2	LT 1-
27	011976	Grease fitting	1	LT 1-
28	120160	Front axle	1	LT 1 - LT 2
	121008	Front axle	1	LT 5-
29	120169	Steering arm	1	LT 1-
30	120170	Roll Pin	1	LT 1-
31	120168	Tie Rod, short	1	LT 1-
	K 1442	Washer	2	LT 1-
	011939	Nut	2	LT 1-
32	120141	Steering arm for EGT 80 only	1	LT 1-
	120680	Steering arm for EGT 100 only	1	LT 2-
33	120136	Left Rear Battery Compartment Clamp for EGT 100 only	1	LT 2-
	120139*	Left Rear Battery Compartment Clamp for EGT 80 extended range kit only	1	LT 1-

Key	Part No.	Description	Used	Lot No.
34	120170	Roll pin for EGT 100 only	1	LT 2-
35	014190	Set Screw for EGT 80 only	1	LT 1-
36	120438	Woodruff Key for EGT 80 only	1	LT 1-
37	010032	Locknut, 5/8"	1	LT 1-
38	120065	Trim	1	LT 1-
	120612	Decal	1	LT 1-
39	120166	Bushing	1	LT 1-
40	K 4873	Hex head bolt, Grade 5, 5/8" x 2-1/2"	1	LT 1-
41	120164	Snap ring	1	LT 1-
42	013614	Hex head bolt, Grade 5, 1/2" x 1-1/2"	2	LT 1-
43	120171	Bushing	2	LT 1-
44	011939	Lockwasher, 1/2"	2	LT 1-
45	013469	Nut, 1/2"	2	LT 1-
46	120167	Tie Rod, long	1	LT 1-
	K 1442	Washer	2	LT 1-
	011939	Nut	2	LT 1-
47	120091	Left Front Battery Compartment Clamp EGT 80 only	1	LT 1-
	120103	Left Front Battery Compartment Clamp EGT 100 only.	1	LT 2-
	011935	Lockwasher	2	LT 1-
	013461	Nut	2	LT 1-
48	120064	Bumper, front	1	LT 1-
	K 1758	Carriage bolt, 5/16" x 1"	2	LT 1-
	011936	Lockwasher, 5/16"	2	LT 1-
	013463	Nut, 5/16"	2	LT 1-
49	120674	Main frame	1	LT 1 only
	121007	Main frame	1	LT 5-
50	120082*	Front and Rear Battery Compartment Tray	1	LT 1-
51	120083*	Front and Rear Compartment Poly Bag	1	LT 1-
	120084	Front Battery Protector (not shown)	1	LT 1-
	120085*	Rear Battery Protector (not shown)	1	LT 1-
52	120089*	Front Battery Cover	1	LT 1-
53	120215	Lift Handle Grip	1	LT 1-
54	120210	Lift Handle Button	1	LT 1-
55	120209	Lift Handle Spring	1	LT 1-
56	120090	Right Front Battery Compartment Clamp EGT 80 only	1	LT 1-
	120102	Right Front Battery Compartment Clamp EGT 100 only	1	LT 2-
	011935	Lockwasher	2	LT 1-
	013461	Nut	2	LT 1-
57	120208	Lift Handle	1	LT 1-
58	120207	Lift Rod	1	LT 1-
	120891	Washer	A.R.	LT 1-
59	120211	Roller	1	LT 1-
60	120170	Roll Pin	1	LT 1-
61	120214	Spacer	1	LT 1-
62	120205	Lift Quadrant Assembly	1	LT 1-
63	120206	Lift Arm Assembly	1	LT 1-
	120889	Washer	A.R.	LT 1-
64	120213	Lift Cable	2	LT 1-
65	120890	Washer	2	LT 1-
	120869	Cotter Pin	2	LT 1-
	120147	Rivet, drilled	2	LT 1-
	014238	Cotter pin	2	LT 1-
66	120146	"U" bolt	2	LT 1-
	011936	Lockwasher, 5/16"	4	LT 1-
	013463	Nut, 5/16"	4	LT 1-
67	120070	Rear tire and rim EGT 80 only	2	LT 1-
	120071	Rear tire and rim EGT 100 only	2	LT 2-
68	120876	Foot rest assembly left side	1	LT 1-
	120877	Foot rest assembly right side	1	LT 1-
69	120123	Motor Compartment Cover	1	LT 1-
70	120124	Decal, Shifting	1	LT 1-
71	120133	Rivet	1	LT 1-
72	120134	Rope Line Assembly	1	LT 1-
	120894	Drilled Rivet	1	LT 1-
	120895	Cotter pin	1	LT 1-
	120896	Hair pin cotter	1	LT 1-
73	120132	Seat Spring	1	LT 1-
	120892	Washer	1	LT 1-
	120893	Cotter pin	1	LT 1-
74	120135	Seat Support Assembly	1	LT 1-
	011002	Bolt, hex head, 1/4" - 20 x 3/4"	4	LT 1-
	011935	Lockwasher	4	LT 1-
	013461	Nut, 1/4" - 20	4	LT 1-

*Notes non-electrical parts used with EGT 80 extended range option.

AVCO NEW IDEA

BRAKE AND CLUTCH ASSY. EGT 80 & EGT 100



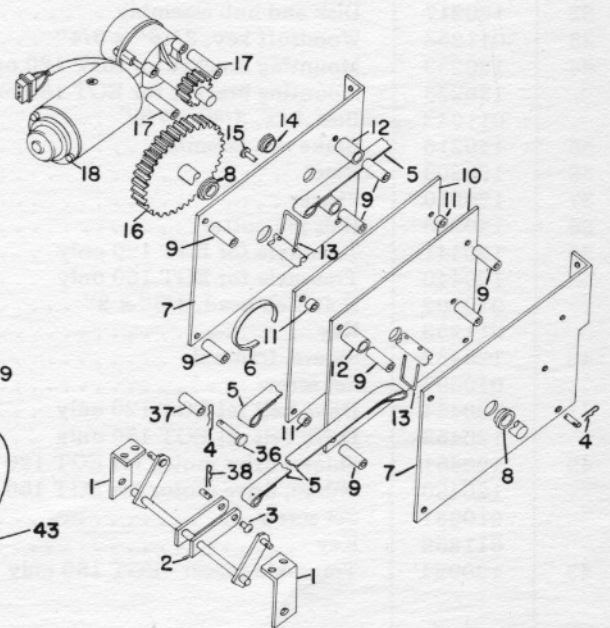
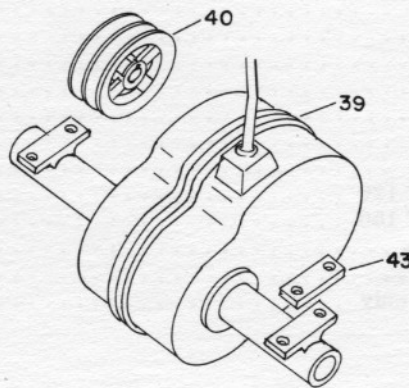
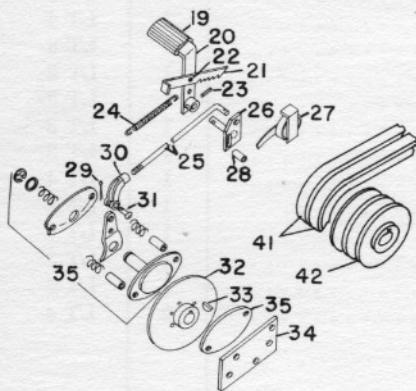
EGT 100-102B

EGT 80 - LOT NO. LT 1-
EGT 100 - LOT NO. LT 2-

Key	Part No.	Description	Used	Lot No.
1	120150	Disk and hub	1	LT 1-
2	011253	Woodruff Key, 3/16" x 3/4"	1	LT 1-
3	120149	Brake Caliper Assembly	1	LT 1-
	011012	Machine bolt, 5/16" x 2-1/2"	2	LT 1-
4	120222	Push nut	1	LT 1-
5	120075	Foot brake pad	1	LT 1-
6	120154	Belt guard plastic	1	LT 1-
	011935	Washer	4	LT 1-
	013461	Nut, 1/4" - 20	4	LT 1-
7	120151	Brake Adjustment Rod	1	LT 1-
	120885	Washer	1	LT 1-
	010211	Cotter pin	1	LT 1-
8	120153	"S" Hook	1	LT 1-
9	120152	Return spring	1	LT 1-
10	120241	Arm and Shaft Assembly	1	LT 1-
11	120240	Brake adjustment nut, 5/16"	1	LT 1-
12	120066	Gear shift knob	1	LT 1-
13	K 2902	Jam nut, 5/16"	1	LT 1-
14	120864	Spacer	2	LT 1-
15	120865	Roll pin	2	LT 1-
16	120866	Spring	1	LT 1-
17	120242	Flange bearing	2	LT 1-
18	120868	Bushing	1	LT 1-
19	120678	Mounting Plate	1	LT 1-
	120863	Bolt, 3/8" self-locking	4	LT 1-
	011008	Bolt, 5/16" x 1"	4	LT 1-
20	120176	Idler arm assembly	1	LT 1-
21	014813	Roll Pin	1	LT 1-
22	120677	Spacer	1	LT 1-
23	120887	Washer	1	LT 1-
24	120175	Idler Pulley	1	LT 1-
25	120178	Parking brake angle	1	LT 1-
26	120179	Parking brake lever	1	LT 1-
27	120180	Parking brake lever grip	1	LT 1-
28	120181	Spring	1	LT 1-

Key	Part No.	Description	Used	Lot No.
	120867	Drilled rivet	1	LT 1-
	010211	Cotter Pin	1	LT 1-
29	120079	Belt Retainer	1	LT 1-
	013569	Bolt, hex head, 5/16" x 2"	1	LT 1-
	011002	Bolt, hex head, 1/4" x 3/4"	2	LT 1-
	120888	Washer, 5/16"	1	LT 1-
	011935	Lockwasher, 1/4"	2	LT 1-
	013461	Nut, 1/4"	2	LT 1-
30	120173	Motor sheave with set screw	1	LT 1-
	120383	Key	1	LT 1-
31	120074	Brake pedal	1	LT 1-
32	120671	Push nut	1	LT 1-
33	120886	Washer	A.R.	LT 1-
34	120076	Retaining Ring	1	LT 1-
35	120142	Brake Connecting Rod	1	LT 1-
36	120414	Rivet for connecting rod	1	LT 1-
37	120143	Clevis for connecting rod	1	LT 1-
38	010211	Cotter pin, 3/32" x 1"	1	LT 1-
39	120174	Drive belt	1	LT 1-
40	120148	Transaxle sheave with set screw	1	LT 1-
41	120145	Complete transaxle	1	LT 1-
42	120078	Belt cover metal (attached to left foot rest)	1	LT 1-
	011002	Bolt, hex head, 1/4" x 3/4"	2	LT 1-
43	120172	Clutch switch	1	LT 1-
	120876	Machine screw	2	LT 1-

**BRAKE - TRANSAYLE AND LIFT
ASSY - EGT 120 - EGT 150**

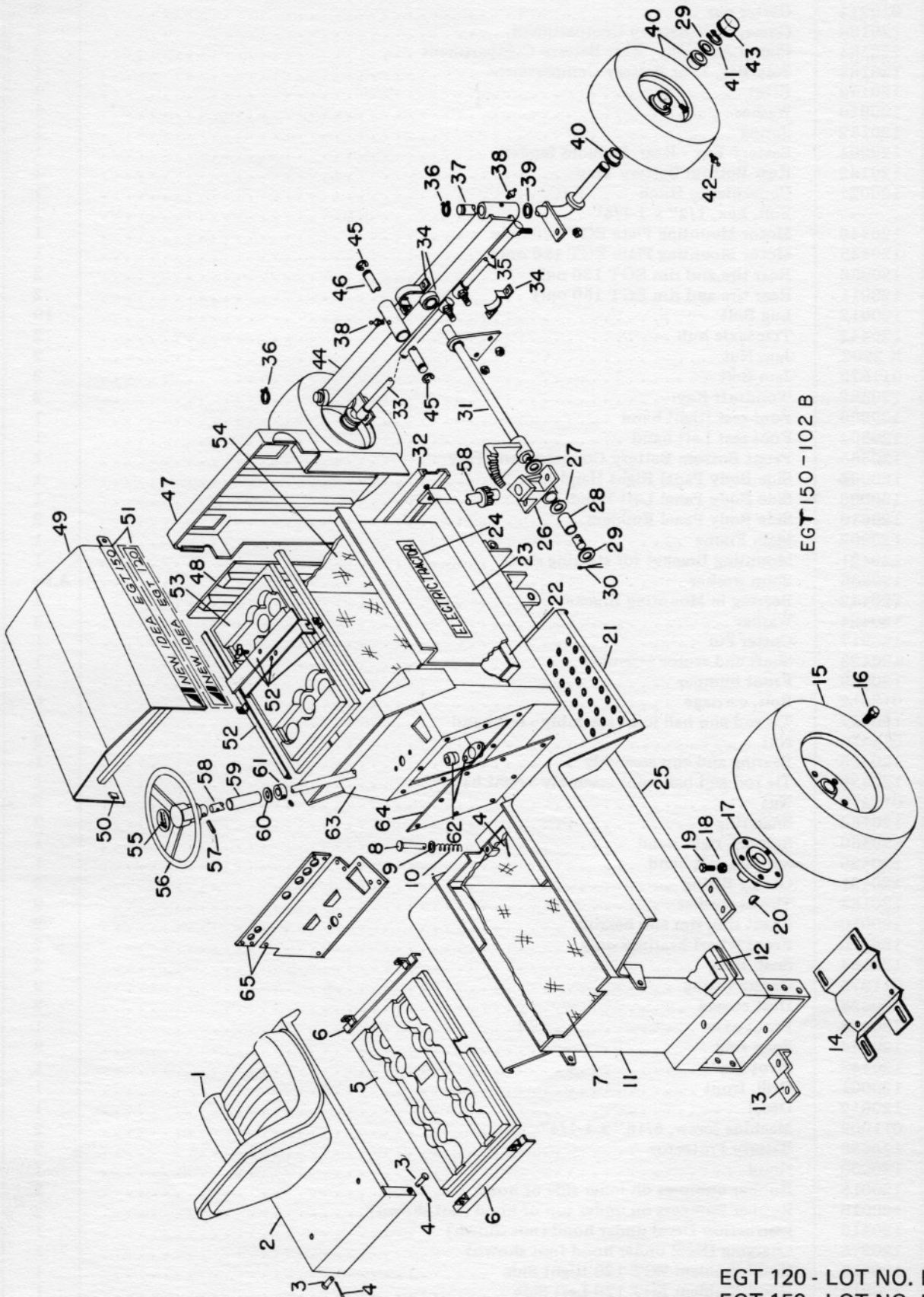


EGT 150-103B

EGT 120 - LOT NO. LT 3-
EGT 150 - LOT NO. LT 4-

Key	Part No.	Description	Used	Lot No.
1	120874	Bracket	2	LT 3-
	014812	Bolt, carriage, 5/16" x 3/4"		
2	120873	Lift Arm Assembly	1	LT 3-
3	120875	Pin	1	LT 3-
4	120602	Hair pin cotter	2	LT 3-
5	120600	Lift Strap	2	LT 3-
6	120603	Tie wrap	1	LT 3-
7	120590	Side support	2	LT 3-
	013812	Carriage bolt, 5/16" x 1"	4	LT 3-
8	120597	Bearing	2	LT 3-
9	120594	Spacer	6	LT 3-
10	120591	Spacer Plate	2	LT 3-
11	120596	Spacer	8	LT 3-
12	120595	Spacer	3	LT 3-
13	120599	Wire Clip	2	LT 3-
14	120598	Bearing	1	LT 3-
15	120601	Clevis Pin	1	LT 3-
16	120592	Gear and Shaft Assembly	1	LT 3-
17	120593	Spacer	2	LT 3-
18	120588	Lift Motor	1	LT 3-
19	120075	Brake pedal pad	1	LT 3-
20	120225	Brake Pedal	1	LT 3-
21	120236	Brake pedal lever	1	LT 3-
22	120237	Rivet	1	LT 3-
23	120224	Roll Pin	1	LT 3-
24	120222	Return spring for EGT 120 only	1	LT 3-
	120219	Return spring for EGT 150 only	1	LT 4-
25	120232	Brake Rod	1	LT 3-
	120754	Push nut	1	LT 3-
26	120235	Shaft assembly	1	LT 3-
	011043	Bolt, hex, 3/8" x 1-1/8"	1	LT 3-
27	120238	Brake switch	1	LT 3-
28	120080	Spacer	1	LT 3-
29	011211	Cotter pin	1	LT 3-
30	120143	Clevis	1	LT 3-
31	120221	Pin	1	LT 3-
32	120217	Disk and hub assembly	1	LT 3-
33	011253	Woodruff key, 3/16" x 3/4"	1	LT 3-
34	120233	Mounting bracket for EGT 120 only	1	LT 3-
	120223	Mounting bracket for EGT 150 only	1	LT 4-
	011042	Bolt, hex, 3/8" x 7/8"	2	LT 3-
35	120216	Brake sub assembly	1	LT 3-
36	120909	Rivet	1	LT 3-
37	120910	Spacer	1	LT 3-
38	120393	Hair pin cotter	1	LT 3-
39	120441	Transaxle for EGT 120 only	1	LT 3-
	120440	Transaxle for EGT 150 only	1	LT 4-
	010502	Bolt, hex head, 3/8" x 2"	4	LT 3-
	011253	Key	1	LT 3-
40	120452	Shieve, transaxle	1	LT 3-
	010397	Set screw	1	LT 3-
41	120454	Drive belt set EGT 120 only	1	LT 3-
	120453	Drive belt set EGT 150 only	1	LT 4-
42	120451	Shieve, drive motor for EGT 120	1	LT 3-
	120450	Shieve, drive motor for EGT 150	1	LT 4-
	010937	Set screw	1	LT 3-
	011258	Key	1	LT 3-
43	120924	Transaxle spacer - EGT 150 only	2	LT 4-

MAIN FRAME AND ATTACHING PARTS FOR EGT 120 AND EGT 150



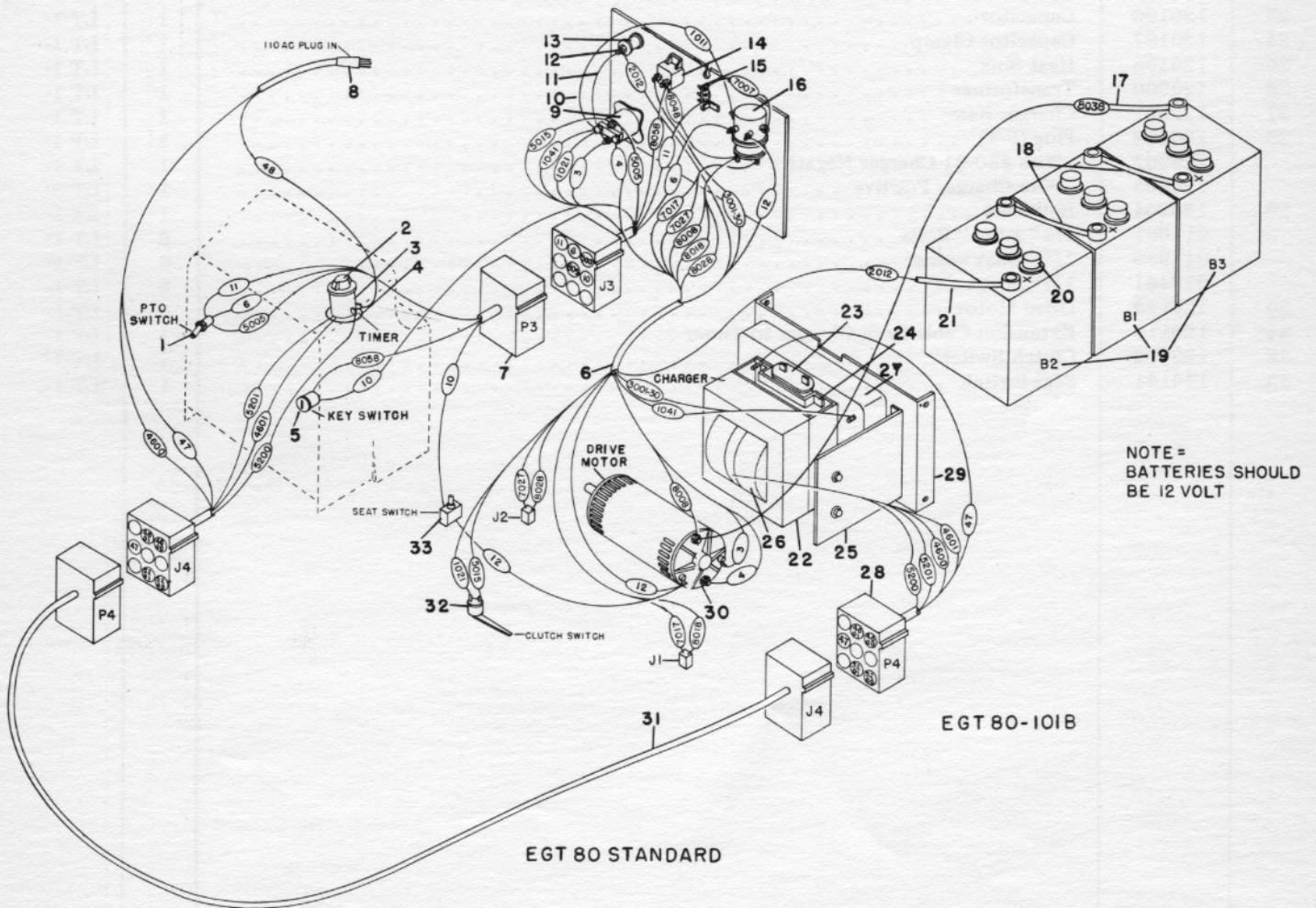
EGT 150-102 B

EGT 120 - LOT NO. LT 3 -
EGT 150 - LOT NO. LT 4 -

Key	Part No.	Description	Used	Lot No.
1	120006	Seat	1	LT 3-
2	120005	Seat Housing	1	LT 3-
3	120413	Drilled Rivet	2	LT 3-
4	010214	Cotter pin	3	LT 3-
5	120183	Cover, Rear Battery Compartment	1	LT 3-
6	120184	Clamp Assembly, Rear Battery Compartment	2	LT 3-
7	120185	Poly Bag, Rear Battery Compartment	1	LT 3-
8	120133	Rivet	1	LT 3-
9	120920	Washer	1	LT 3-
10	120132	Spring	1	LT 3-
11	120004	Battery Box - Rear, includes fenders	1	LT 3-
12	120182	Rear Bottom Battery Tray	1	LT 3-
13	120021	Convenience Hitch	1	LT 3-
		Bolt, hex, 1/2" x 1-1/4"	1	LT 3-
14	120446	Motor Mounting Plate EGT 120 only	1	LT 3-
	120445	Motor Mounting Plate EGT 150 only	1	LT 4-
15	120056	Rear tire and rim EGT 120 only	2	LT 3-
	120011	Rear tire and rim EGT 150 only	2	LT 4-
16	120012	Lug Bolt	10	LT 3-
17	120442	Transaxle hub	2	LT 3-
18	K 2902	Jam Nut	2	LT 3-
19	011572	Jam Bolt	2	LT 3-
20	120382	Woodruff Key	2	LT 3-
21	120903	Foot rest Right hand	1	LT 3-
	120904	Foot rest Left hand	1	LT 3-
22	120465	Front Bottom Battery Compartment Tray	1	LT 3-
23	120002	Side Body Panel Right Hand	1	LT 3-
	120003	Side Body Panel Left Hand	1	LT 3-
24	120610	Side Body Panel Emblem	2	LT 3-
25	120902	Main Frame	1	LT 3-
26	120421	Mounting Bracket for steering shaft	1	LT 3-
27	120385	Shim washer	A.R.	LT 3-
28	120442	Bearing in Mounting Bracket	1	LT 3-
29	120424	Washer	3	LT 3-
30	120917	Cotter Pin	1	LT 3-
31	120423	Shaft and sector assembly	1	LT 3-
32	120589	Front bumper	1	LT 3-
	013812	Bolt, carriage	4	LT 3-
33	120427	Tie rod and ball joint assembly - left hand	1	LT 3-
	013470	Nut	2	LT 3-
34	120425	Bearing and cup assembly	1	LT 3-
35	120426	Tie rod and ball joint assembly - right hand	1	LT 3-
	013470	Nut	2	LT 3-
36	120164	Snap ring	2	LT 3-
37	120430	Spindle, right hand	1	LT 3-
	120429	Spindle, left hand	1	LT 3-
38	120431	Grease fitting	2	LT 3-
39	120163	Thrust washer	2	LT 3-
40	120010	Front tire, rim and bearing	2	LT 3-
	120376	Front wheel bearings only	2	LT 3-
41	120164	Snap Ring	2	LT 3-
42	011976	Grease fitting	2	LT 3-
43	120828	Dust covers	2	LT 3-
44	120428	Front axle	1	LT 3-
45	120444	Snap ring	2	LT 3-
46	120443	Pivot Pin	1	LT 3-
47	120001	Grill, front	1	LT 3-
	120612	Decal	1	LT 3-
	011009	Machine screw, 5/16" x 1-1/4"	2	LT 3-
48	120468	Battery Protector	2	LT 3-
49	120000	Hood	1	LT 3-
50	120018	Rubber bumpers on inner side of hood	2	LT 3-
	120019	Rubber bumpers on under top of hood (not shown)	2	LT 3-
	120416	Instruction Decal under hood (not shown)	1	LT 3-
	120375	Charging Decal under hood (not shown)	1	LT 3-
51	120616	Hood Emblem EGT 120 Right Side	1	LT 3-
	120617	Hood Emblem EGT 120 Left Side	1	LT 3-
	120618	Hood Emblem EGT 150 Right Side	1	LT 4-
	120619	Hood Emblem EGT 150 Left Side	1	LT 4-

Key	Part No.	Description	Used	Lot No.
52	120388	Battery hold down assembly front compartment	1	LT 3-
53	120466	Battery Cover, front	1	LT 3-
54	120467	Poly Bag	1	LT 3-
55	120017	Steering wheel cap	1	LT 3-
56	120016	Steering Wheel	1	LT 3-
57	120418	Roll Pin	1	LT 3-
58	120419	Steering shaft and gear	1	LT 3-
59	120036	Steering sleeve	1	LT 3-
60	120035	Washer	1	LT 3-
61	120420	Lock collar with set screw	1	LT 3-
62	120212	Bearing and flange	1	LT 3-
63	120905	Console	1	LT 3-
	011009	Machine screw, 5/16" x 1-1/4"	4	LT 3-
64	120906	Console cover plate	1	LT 3-
	120918	Machine screw	9	LT 3-
65	120022	Upper and lower dash panel inserts	1	LT 3-

**ELECTRICAL SYSTEM
EGT 80 STANDARD**

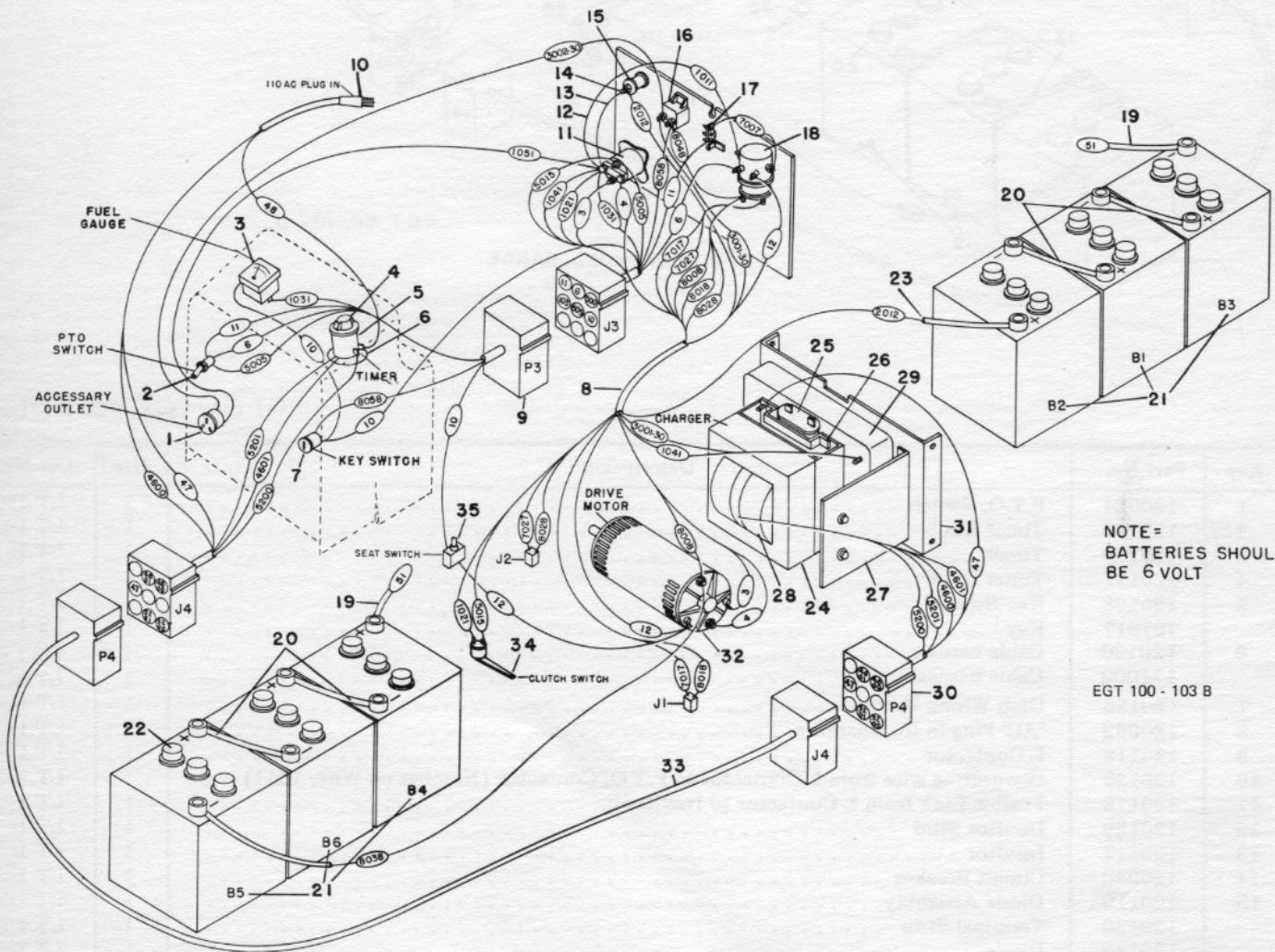


EGT 80 - LOT NO. LT 1-

Key	Part No.	Description	Used	Lot No.
1	120024	P.T.O. Switch	1	LT 1-
2	120110	Timer Knob	1	LT 1-
3	120109	Timer	1	LT 1-
4	120111	Timer Decal	1	LT 1-
5	120108	Key Switch	1	LT 1-
	707017	Key	1	LT 1-
6	120126	Cable harness	1	LT 1 only
	121009	Cable harness	1	LT 5-
7	120128	Dash Wiring Harness	1	LT 1-
8	120092	'AC' Plug-in for Charging	1	LT 1-
9	120116	L Contactor	1	LT 1-
10	120125	Connecting wire from L Contactor to P.T.O. Contactor (Number on Wire, 1011)	1	LT 1-
11	120118	Fusible Link from L Contactor to Insultor	1	LT 1-
12	120129	Insultor Stud	1	LT 1-
13	120117	Insultor	1	LT 1-
14	120040	Circuit Breaker	1	LT 1-
15	120119	Diode Assembly	1	LT 1-
	120120	Terminal Strip	1	LT 1-
	120130	Diode	1	LT 1-
16	120044	P.T.O. Contactor	1	LT 1-
17	120088	Battery Cable from Negative Post to Drive Motor Terminal	1	LT 1-
18	120087	Interconnecting Battery Cable	2	LT 1-
19	120094	Battery 12 volt	3	LT 1-
20	120681	Battery Cap	6	LT 1-
21	120086	Battery Cable from Positive Post to Insultor, Terminal	1	LT 1-
22	120195	Charger Assembly Includes Base, Transformer, Capacitor and Heat Sink	1	LT 1-
23	120196	Capacitor	1	LT 1-
24	120197	Capacitor Clamp	1	LT 1-
25	120198	Heat Sink	1	LT 1-
26	120200	Transformer	1	LT 1-
27	120201	Charger Base	1	LT 1-
28	120192	Plug (P-4)	1	LT 1-
	120202	Wire #30-01 Charger Negative	1	LT 1-
	120203	Wire Charger Positive	1	LT 1-
29	120204	Bulkhead	1	LT 1-
	011001	1/4" x 5/8" Bolts	6	LT 1-
	011935	1/4" Lockwasher	6	LT 1-
	013461	1/4" nuts	6	LT 1-
30	120122	Drive Motor	1	LT 1-
31	120115	Extension Cable from Charger to Timer	1	LT 1-
32	120172	Clutch Switch	1	LT 1-
33	120131	Seat Switch	1	LT 1-

Key	Part No.	Description	Used	Lot No.
20	120681	Battery Cap	12	LT 1-
21	120086	Battery Cable from Positive Post to Insulator Terminal	2	LT 1-
22	120195	Charger Assembly Includes Base, Transformer, Capacitor and Heat Sink	1	LT 1-
23	120196	Capacitor	1	LT 1-
24	120197	Capacitor Clamp	1	LT 1-
25	120198	Heat Sink	1	LT 1-
26	120200	Transformer	1	LT 1-
27	120201	Charger Base	1	LT 1-
28	120192	Plug (P-4)	1	LT 1-
	120202	Wire #30-01 Charger Negative	1	LT 1-
	120203	Wire Charger Positive	1	LT 1-
29	120204	Bulkhead	1	LT 1-
	011001	Bolt, 1/4" x 5/8"	6	LT 1-
	011935	Lockwasher	6	LT 1-
	013461	Nut, 1/4"	6	LT 1-
30	120122	Drive Motor See Page 36	1	LT 1-
31	120115	Extension Cable from Charger to Timer	1	LT 1-
32	120172	Clutch Switch	1	LT 1-
33	120131	Seat Switch	1	LT 1-

**ELECTRICAL SYSTEM
EGT 100**



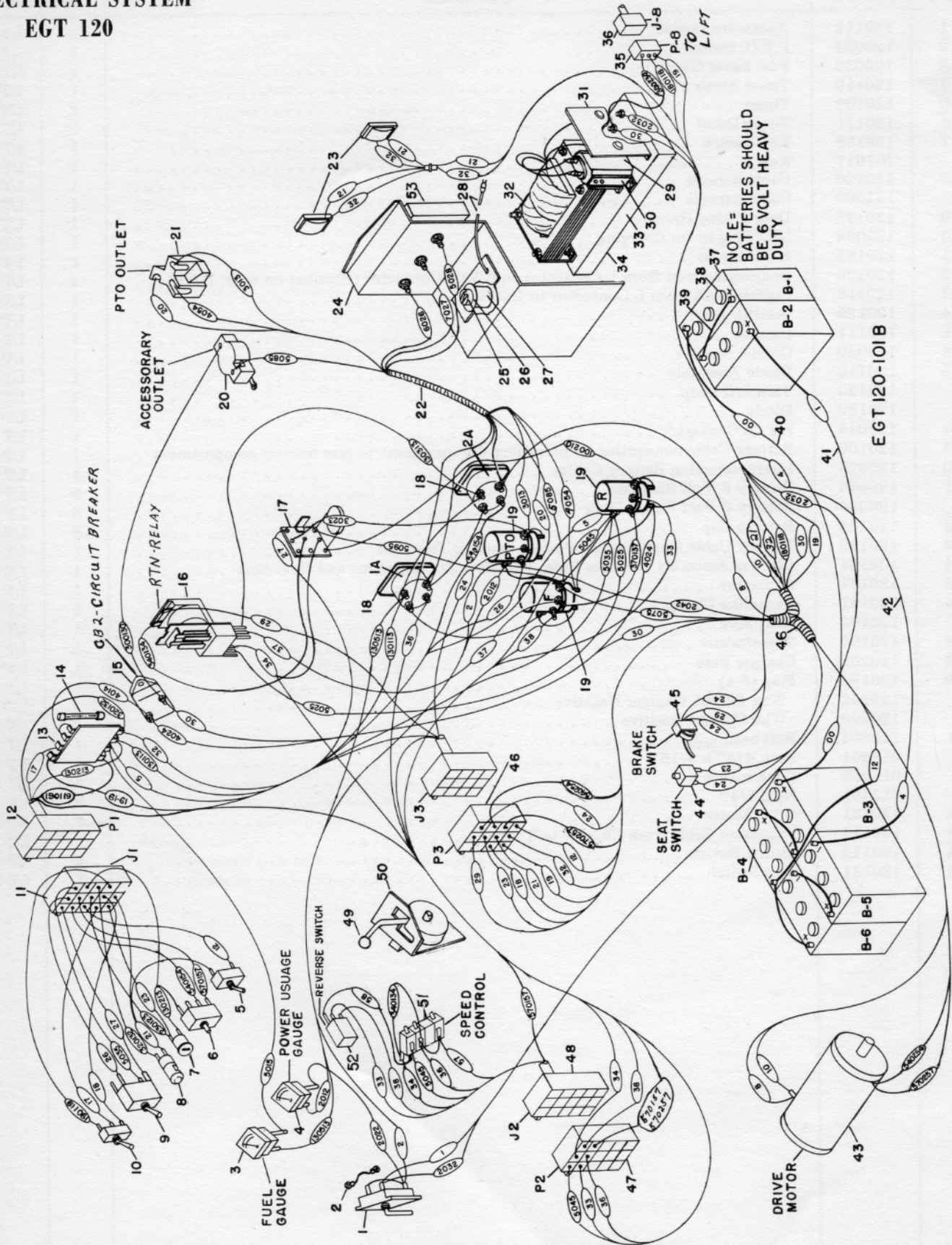
NOTE =
BATTERIES SHOULD
BE 6 VOLT

EGT 100 - 103 B

EGT 100 - LOT NO. LT2 -

Key	Part No.	Description	Used	Lot No.
1	120112	Accessory Outlet	1	LT 2-
2	120024	P.T.O. Switch	1	LT 2-
3	120032	Fuel Level Gauge	1	LT 2-
4	120110	Timer Knob	1	LT 2-
5	120109	Timer	1	LT 2-
6	120111	Timer Decal	1	LT 2-
7	120108	Key Switch	1	LT 2-
	707017	Key	1	LT 2-
8	120126	Cable harness	1	LT 1 only
	121009	Cable harness	1	LT 5-
9	120128	Dash Wiring Harness	1	LT 2-
10	120098	'AC' Plug-in for Charging	1	LT 2-
11	120166	L Contactor	1	LT 2-
12	120125	Connecting wire from L Contactor to P.T.O. Contactor (Number on wire, 1011)	1	LT 2-
13	120118	Fusible Link from L Contactor to Insultor	1	LT 2-
14	120129	Insultor Stud	1	LT 2-
15	120117	Insultor	1	LT 2-
16	120040	Circuit Breaker	1	LT 2-
17	120119	Diode Assembly	1	LT 2-
	120120	Terminal Strip	1	LT 2-
	120130	Diode	1	LT 2-
18	120044	P.T.O. Contactor	1	LT 2-
19	120100	Battery Cable connecting front battery compartment to rear battery compartment	1	LT 2-
20	120676	Interconnecting Battery Cables	4	LT 2-
21	120095	Battery 6 Volt Standard	6	LT 2-
	120096	Battery 6 Volt Heavy Duty	6	LT 2-
22	120104	Battery Cap	18	LT 2-
23	120199	Battery Cable from Positive Post to Insultor Terminal	1	LT 2-
24	120194	Charger Assembly Includes Base, Transformer, Capacitor and Heat Sink	1	LT 2-
25	120187	Capacitor	1	LT 2-
26	120197	Capacitor Clamp	1	LT 2-
27	120189	Heat Sink	1	LT 2-
28	120190	Transformer	1	LT 2-
29	120201	Charger Base	1	LT 2-
30	120192	Plug (P-4)	1	LT 2-
	120202	Wire #30-01 Charger Negative	1	LT 2-
	120203	Wire Charger Positive	1	LT 2-
31	120204	Bulkhead	1	LT 2-
	011001	Bolt, 1/4" x 5/16"	6	LT 2-
	011935	Lockwasher	6	LT 2-
	013461	Nut, 1/4"	6	LT 2-
32	120121	Drive Motor	1	LT 2-
33	120115	Extension Cable from Charger to Timer	1	LT 2-
34	120172	Clutch Switch	1	LT 2-
35	120131	Seat Switch	1	LT 2-

ELECTRICAL SYSTEM EGT 120



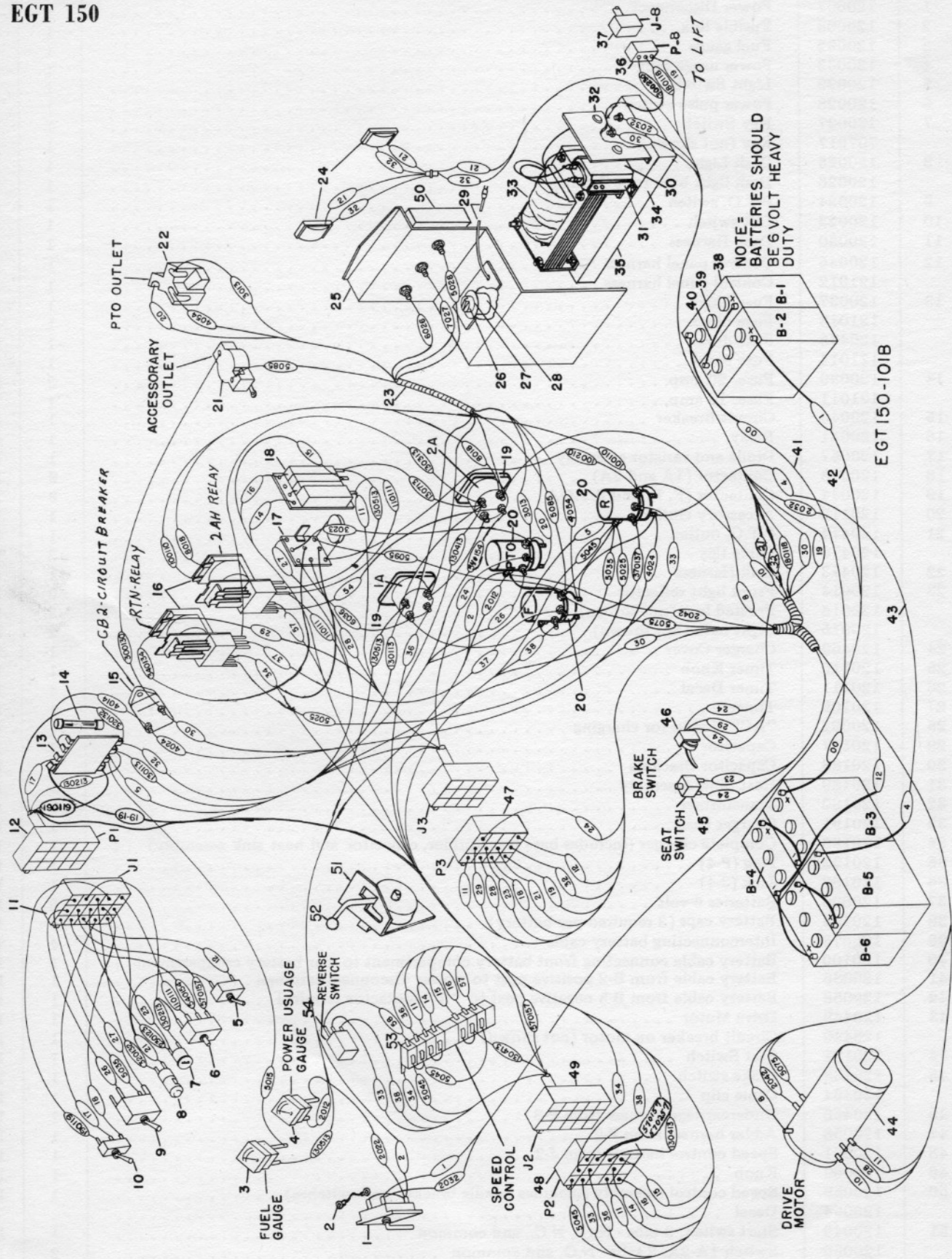
NOTE=
BATTERIES SHOULD
BE 6 VOLT HEAVY
DUTY

EGT 120-101B

EGT 120 - LOT NO. LT 3-

Key	Part No.	Description	Used	Lot No.
1	120007	Power Disconnect	1	LT 3-
2	120008	Fusible link	1	LT 3-
3	120032	Fuel gauge	1	LT 3-
4	120033	Power usage gauge	1	LT 3-
5	120029	Light Switch	1	LT 3-
6	120028	Power pulse switch	1	LT 3-
7	120027	Key Switch	1	LT 3-
	707017	Key (not shown)	1	LT 3-
8	120025	Dash Light	1	LT 3-
	120026	Dash light bulb (not shown)	1	LT 3-
9	120024	P.T.O. switch	1	LT 3-
10	120023	Lift switch	1	LT 3-
11	120030	Dash Harness	1	LT 3-
12	120045	Control panel harness	1	LT 3 only
	121012	Control panel harness	1	LT 7-
13	120037	Fuse block	1	LT 3 only
	121013	Fuse block	1	LT 7-
	120475	Fuse decal	1	LT 3 only
	121014	Fuse decal	1	LT 7-
14	120039	Fuse, 20 amp.	3	LT 3-
	121011	Fuse, 10 amp.	1	LT 7-
15	120040	Circuit Breaker	1	LT 3-
16	120041	Relay	1	LT 3-
17	120057	Diode and varistor assembly	1	LT 3-
18	120043	Contactors (1A and 2A)	2	LT 3-
19	120044	Contactors (F, R, and P.T.O.)	3	LT 3-
20	120112	Accessory Outlet	1	LT 3-
21	120474	P.T.O. outlet	1	LT 3-
	120470	Cable ties	2	LT 3-
22	120473	Grill Harness	1	LT 3-
23	120014	Front light reflector	2	LT 3-
	120013	Frosted lens (not shown)	2	LT 3-
	120015	Light bulb (not shown)	2	LT 3-
24	120469	Charger Cover	1	LT 3-
25	120110	Timer Knob	1	LT 3-
26	120111	Timer Decal	1	LT 3-
27	120109	Timer	1	LT 3-
28	120092	"AC" Plug-in for charging	1	LT 3-
29	120187	Capacitor	1	LT 3-
30	120188	Capacitor Brackets	2	LT 3-
31	120189	Heat Sink Assembly	1	LT 3-
32	120190	Transformer	1	LT 3-
33	120191	Charger base	1	LT 3-
34	120186	Complete charger (includes base transformer, capacitor and heat sink assembly)	1	LT 3-
35	120192	Plug (P-4)	1	LT 3-
36	120193	Jack (J-4)	1	LT 3-
37	120096	Batteries 6-volt	6	LT 3-
38	120104	Battery caps (3 required per battery)	18	LT 3-
39	120676	Interconnecting battery cable	4	LT 3-
40	120100	Battery cable connecting front battery compartment to rear battery compartment	1	LT 3-
41	120086	Battery cable from B-2 positive post to power disconnect terminal	1	LT 3-
42	120088	Battery cable from B-5 negative post to "R" contactor terminal	1	LT 3-
43	120448	Drive Motor	1	LT 3-
	120449	Circuit breaker on motor (not shown)	1	LT 3-
44	120131	Seat Switch	1	LT 3-
45	120238	Brake switch	1	LT 3-
	120464	Cable clip	1	LT 3-
46	120456	Undercarriage harness from P-3	1	LT 3-
47	120058	Adder harness from P-2	1	LT 3-
48	120061	Speed control harness from J-2	1	LT 3-
49	120009	Knob	1	LT 3-
50	120059	Speed control assembly (includes handle bracket and switches)	1	LT 3-
	120054	Decal		
51	120049	Start switch, 3 tabs - N.O., N.C., and common	1	LT 3-
	120050	Switch 1A-2A, 2 tabs - N.O. and common	2	LT 3-
52	120060	Reverse switch	1	LT 3-
53	120470	Resistor assembly	1	LT 3-

ELECTRICAL SYSTEM EGT 150



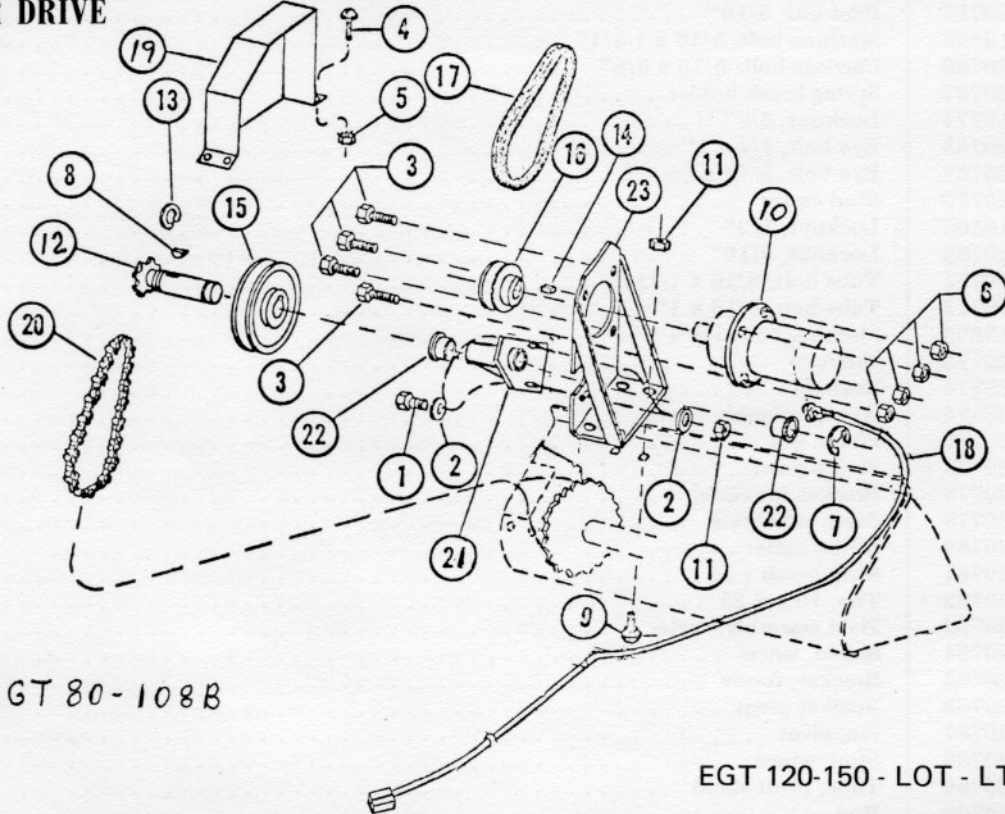
EGT 150 - LOT NO. LT 4-

Key	Part No.	Description	Used	Lot No.
1	120007	Power Disconnect	1	LT 4-
2	120008	Fusible Link	1	LT 4-
3	120032	Fuel gauge	1	LT 4-
4	120033	Power usage gauge	1	LT 4-
5	120029	Light switch	1	LT 4-
6	120028	Power pulse switch	1	LT 4-
7	120027	Key switch	1	LT 4-
	707017	Key (not shown)	1	LT 4-
8	120025	Dash light	1	LT 4-
	120026	Dash Light bulb (not shown)	1	LT 4-
9	120024	P.T.O. switch	1	LT 4-
10	120023	Lift switch	1	LT 4-
11	120030	Dash Harness	1	LT 4-
12	120045	Control panel harness	1	LT 4 only
	121012	Control panel harness	1	LT 8-
13	120037	Fuse block	1	LT 4 only
	121013	Fuse block	1	LT 8-
	120475	Fuse decal	1	LT 4 only
	121014	Fuse decal	1	LT 8-
14	120039	Fuse, 20 amp.	3	LT 4-
	121011	Fuse, 10 amp.	1	LT 7-
15	120040	Circuit Breaker	1	LT 4-
16	120041	Relay	2	LT 4-
17	120042	Diode and varistor assembly	1	LT 4-
18	120047	Field resistor assembly	1	LT 4-
19	120043	Contactora (1A - 2A)	2	LT 4-
20	120044	Contactora (F, R, and P.T.O.)	3	LT 4-
21	120112	Accessory Outlet	1	LT 4-
22	120474	P.T.O. outlet	1	LT 4-
	120470	Cable ties	2	LT 4-
23	120473	Grill Harness	1	LT 4-
24	120014	Front light reflector	2	LT 4-
	120013	Froster light bulb (not shown)	2	LT 4-
	120015	Front light bulb (not shown)	2	LT 4-
25	120469	Charger cover	1	LT 4-
26	120110	Timer Knob	1	LT 4-
27	120111	Timer decal	1	LT 4-
28	120109	Timer	1	LT 4-
29	120092	"AC" Plug-in for charging	1	LT 4-
30	120187	Capacitor	1	LT 4-
31	120188	Capacitor brackets	2	LT 4-
32	120189	Heat Sink Assembly	1	LT 4-
33	120190	Transformer	1	LT 4-
34	120191	Charger Base	1	LT 4-
35	120186	Complete Charger (includes base, transformer, capacitor with brackets and heat sink assembly)	1	LT 4-
36	120192	Plug (P-4)	1	LT 4-
37	120193	Jack (J-4)	1	LT 4-
38	120096	Battery, 6-volt	6	LT 4-
39	120104	Batteries caps (3 per battery)	18	LT 4-
40	120676	Interconnecting battery cable	4	LT 4-
41	120100	Battery cable connecting front battery compartment to rear battery compartment . .	1	LT 4-
42	120099	Battery cable from B-2 positive post to power disconnect terminal	(1)	LT 4-
43	120088	Battery cable from B-5 negative post to "R" contactora terminal	1	LT 4-
44	120447	Drive motor	1	LT 4-
	120449	Circuit breaker on motor (not shown)	1	LT 4-
45	120131	Seat switch	1	LT 4-
46	120238	Brake switch	1	LT 4-
47	120455	Undercarriage harness from P-3	1	LT 4-
48	120046	Adder harness from P-2	1	LT 4-
49	120053	Speed control harness from J-2	1	LT 4-
50	120470	Resistor assembly	1	LT 4-
51	120048	Speed control bracket (includes bracket and switches)	1	LT 4-
52	120009	Knob speed control	1	LT 4-
53	120049	Start switches, 3 tabs, N.O., N.C. and common	1	LT 4-
	120050	Switch 1A - 2A, 2 tabs, N.O. and common	1	LT 4-
	120051	Switch (FW 1-4)	1	LT 4-
54	120052	Reverse switch	1	LT 4-

Key	Part No.	Description	Used	Lot No.
1	013563	Machine bolt, 5/16 x 3/4"	10	LT 1-
2	013463	Nut, 5/16"	5	LT 1-
3	K 3037	Washer	7	LT 1-
4	010491	Washer, 17/32 x 1 x 1/16"	6	LT 1-
5	013565	Machine bolt, 5/16 x 1"	1	LT 1-
6	013566	Machine bolt, 5/16 x 1-1/4"	12	LT 1-
7	013567	Machine bolt, 5/16 x 1-1/2"	2	LT 1-
8	120763	Retaining ring, 5/8 E type	4	LT 1-
9	013561	Machine bolt, 5/16 x 1/2"	8	LT 1-
10	013613	Machine bolt, 1/2 x 1-1/4"	2	LT 1-
11	010161	Locknut, 1/4"	3	LT 1-
12	120764	Locknut, 3/8" special	2	LT 1-
13	120765	Pilot nut, 5/16"	1	LT 1-
14	013568	Machine bolt, 5/16 x 1-3/4"	1	LT 1-
15	120766	Carriage bolt, 5/16 x 5/8"	4	LT 1-
16	120767	Spring brush holder	12	LT 1-
17	012774	Locknut, 3/8"	2	LT 1-
18	120768	Eye bolt, 1/4 x 1"	1	LT 1-
19	120769	Eye bolt, 5/16 x 2-3/4"	1	LT 1-
20	120770	Stud caster	2	LT 1-
21	010165	Locknut, 1/2"	2	LT 1-
22	010162	Locknut, 5/16"	53	LT 1-
23	120771	Tube bolt, 5/16 x 1-1/4"	4	LT 1-
24	120772	Tube bolt, 5/16 x 1"	8	LT 1-
25	013553	Machine bolt, 1/4 x 1"	2	LT 1-
26	120773	Hub cap	2	LT 1-
27	120774	Bearing	2	LT 1-
28	120775	Wheel assembly - cast	2	LT 1-
29	120776	Pinion gear	2	LT 1-
30	120777	Pinion pawl	2	LT 1-
31	120778	Bracket for caster	2	LT 1-
32	120779	Stud, axle brush	1	LT 1-
33	120780	Roller caster	2	LT 1-
34	120781	Strip brush	3	LT 1-
35	120782	Tire, 10 x 2.25	2	LT 1-
36	120783	Plate assembly, caster	2	LT 1-
37	120784	Shield, wheel	2	LT 1-
38	120785	Bracket, frame	4	LT 1-
39	120786	Bracket pivot	2	LT 1-
40	120787	Pin, pivot	2	LT 1-
41	120788	Stud, wheel	2	LT 1-
42	120789	Tube, pivot stand	1	LT 1-
43	120790	Rod	1	LT 1-
44	120791	Oiler	2	LT 1-
45	120792	"U" bar	1	LT 1-
46	120793	Spacer	4	LT 1-
47	120794	Adjustment Spring	1	LT 1-
48	120795	Dump rope	1	LT 1-
49	120796	Tongue - hitch	1	LT 1-
50	120797	Retainer tube	1	LT 1-
51	120798	Adjustment tube	1	LT 1-
52	120799	Brace	2	LT 1-
53	120800	Brace	2	LT 1-
54	120801	Pivot stand tube, R.H.	1	LT 1-
55	120802	Pivot stand tube, L.H.	1	LT 1-
56	120803	Top hamper tube	1	LT 1-
57	120804	Side hamper tube	2	LT 1-
58	120805	Hamper tube	2	LT 1-
59	120806	Bottom tube	2	LT 1-
60	120807	Pivot support, L.H.	1	LT 1-
	120808	Pivot support, R.H.	1	LT 1-
61	120809	Stiffener	1	LT 1-
62	120810	Rod, rear hamper	1	LT 1-
63	120811	Handle grip	1	LT 1-
64	120812	Bumper assembly	1	LT 1-
65	120813	Bracket assembly	1	LT 1-
66	120814	Level assembly	2	LT 1-
67	120815	Adjustment bracket	1	LT 1-
68	120816	Axle assembly, brush	1	LT 1-

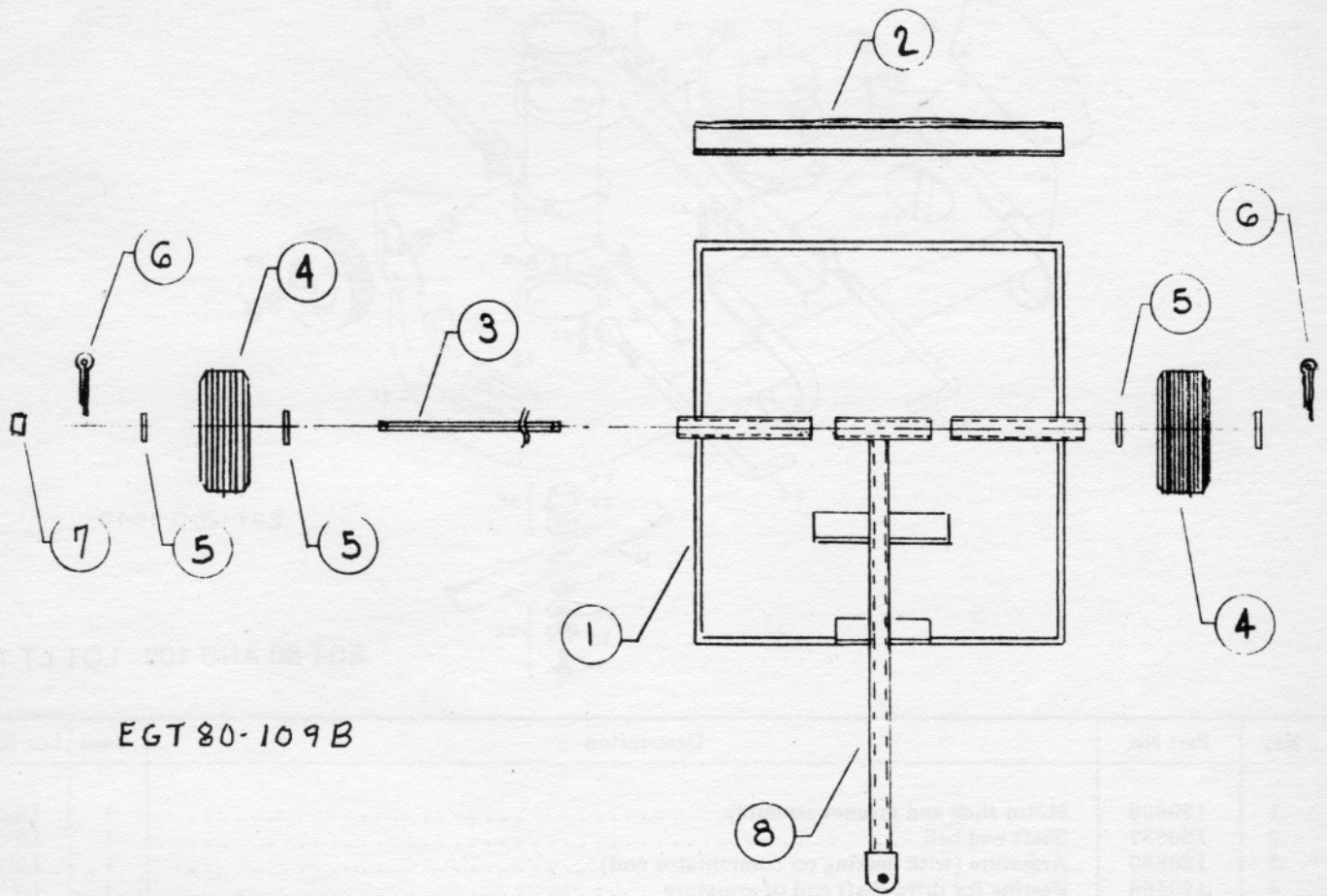
Key	Part No.	Description	Used	Lot No.
69	120817	Shield assembly	1	LT 1-
70	120818	Hamper assembly	1	LT 1-
71	120819	Latch hamper	1	LT 1-
72	120820	Latch spring	1	LT 1-
73	120821	Rubber sleeve	2	LT 1-
74	120822	Drive sprocket	1	LT 1-
75	013466	Nut, 3/8"	2	LT 1-
76	011937	Lockwasher, 3/8"	2	LT 1-
77	120823	Hitch pin bracket	1	LT 1-
	120682	Decal (Avco New Idea)	1	LT 1-

SWEEPER MOTOR DRIVE



Key	Part No.	Description	Used	Lot No.
1	011007	Machine bolt, 5/16 x 3/4"	2	LT 3-
2	K 3037	Washer	2	LT 3-
3	011002	Machine bolt, 1/4 x 3/4"	4	LT 3-
4	011590	Machine screw, #10 - 24 x 1/2"	4	LT 3-
5	120988	Keeper nut, #10 - 24	4	LT 3-
6	010161	Locknut, 1/4"	4	LT 3-
7	120989	Retaining ring, "E" type 3/4	1	LT 3-
8	011253	Woodruff key, #9	1	LT 3-
9	013924	Carriage bolt, 5/16 x 5/8"	4	LT 3-
10	121002	Motor	1	LT 3-
	121001	Circuit breaker wire	1	LT 3-
11	010162	Locknut, 5/16"	6	LT 3-
12	121000	Jackshaft assembly	1	LT 3-
13	120990	Crescent ring, 3/4"	1	LT 3-
14	120991	Key, 5/32 square x 1/2"	1	LT 3-
15	120992	Pulley "A", 5" OD	1	LT 3-
16	120993	Pulley "A", 2-1/2" OD	1	LT 3-
17	120994	Belt "A", Section 20"	1	LT 3-
18	120995	Wire harness	1	LT 3-
19	120999	Belt guard	1	LT 3-
20	121003	Chain, #65	1	LT 3-
21	120998	Jackshaft mounting assembly	1	LT 3-
22	120996	Jackshaft bushing	1	LT 3-
23	120997	Mounting bracket assembly	1	LT 3-

DUMP CART

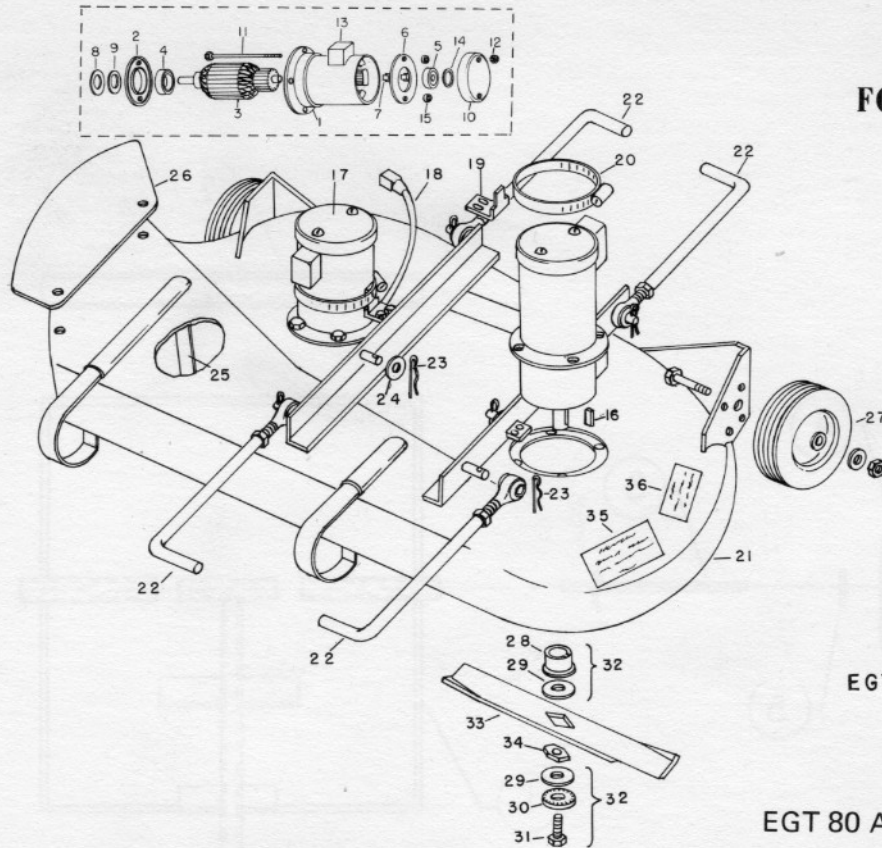


EGT 80-109B

EGT 80 - LOT LT 1-

Key	Part No.	Description	Used	Lot No.
1	120936	Cart body	1	LT 1-
2	120937	Rear gate	1	LT 1-
	120682	Decal (Avco New Idea)	1	LT 1-
3	120938	Axle	1	LT 1-
4	120939	Wheel and tire	2	LT 1-
5	K 4587	Washer	4	LT 1-
6	010217	Cotter pin, 1/8 x 1-1/4"	2	LT 1-
7	120940	Hub cap	2	LT 1-
8	120941	Drawbar	1	LT 1-
	120942	Latch, not shown	1	LT 1-
	120943	Latch spring, not shown	1	LT 1-
	011002	Machine bolt, 1/4 x 3/4"	1	LT 1-
	010161	Locknut, 1/4"	1	LT 1-

36" MOWER FOR EGT 80 and 100



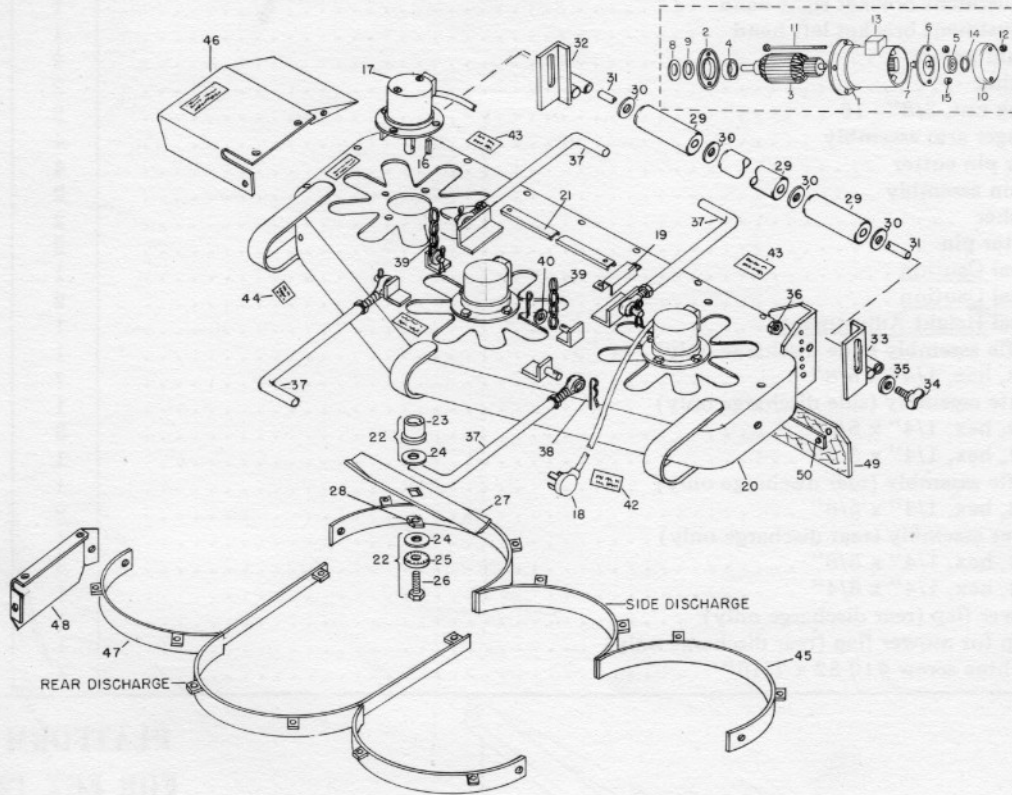
EGT-100-104B

EGT 80 AND 100 - LOT LT 1-

Key	Part No.	Description	Used	Lot No.
1	120839	Motor shell and magnet assembly	1	LT 1-
2	120837	Shaft end bell	1	LT 1-
3	120830	Armature (with bearing on commutator end)	1	LT 1-
4	120666	Bearing for drive shaft end of armature	1	LT 1-
5	120667	Bearing for commutator end of armature	1	LT 1-
6	120836	Commutator end bell assembly with brushes	1	LT 1-
7	120668	Brush assembly (set of two brushes)	1	LT 1-
8	120832	External bearing shield	1	LT 1-
9	120833	Internal bearing shield	1	LT 1-
10	120824	Dust cover	1	LT 1-
11	120835	Tie bolt	2	LT 1-
12	120826	Lock nut, whiz type, 1/4" - 20	2	LT 1-
13	120575	Circuit breaker	1	LT 1-
14	120831	Thrust washer	1	LT 1-
15	120827	Spacer	2	LT 1-
16	120517	Key	1	LT 1-
17	120564	Mower motor, complete	1	LT 1-
	011001	Bolt, hex, 1/4" x 5/8"	4	LT 1-
18	120565	Wiring harness	1	LT 1 only
	121010	Wiring harness	1	LT 5-
19	120683	Mower motor brace	2	LT 1-
	011002	Bolt, hex, 1/4" x 3/4"	4	LT 1-
20	120571	Clamp	2	LT 1-
21	120570	Mower housing assembly	1	LT 1-
22	120553	Hanger arm assembly	4	LT 1-
23	120394	Hair pin cotter	6	LT 1-
24	120891	Washer	2	LT 1-
25	120572	Baffle	1	LT 1-
	011001	Bolt, hex, 1/4" x 5/8"	2	LT 1-
26	120573	Foot guard	1	LT 1-
	011001	Bolt, hex, 1/4" x 5/8"	2	LT 1-
27	120568	Wheel	2	LT 1-
	012781	Bolt, hex, 3/8" x 2-3/4"	2	LT 1-
28	120561	Clutch body (order 120560)	1	LT 1-

Key	Part No.	Description	Used	Lot No.
29	120519	Fiber washer	2	LT 1-
30	120520	Clutch washer	1	LT 1-
31	120562	Locking bolt	1	LT 1-
32	120560	Clutch assembly - includes all washers, clutch body and locking bolt	1	LT 1-
33	120567	Mower blade - 30 degree with insert	1	LT 1-
34	120852	Insert for blade	1	LT 1-
35	120853	Decal <u>Caution</u>	1	LT 1-
36	120854	Decal <u>Height Adjustment</u>	1	LT 1-

**42" MOWER
FOR EGT 120-150**

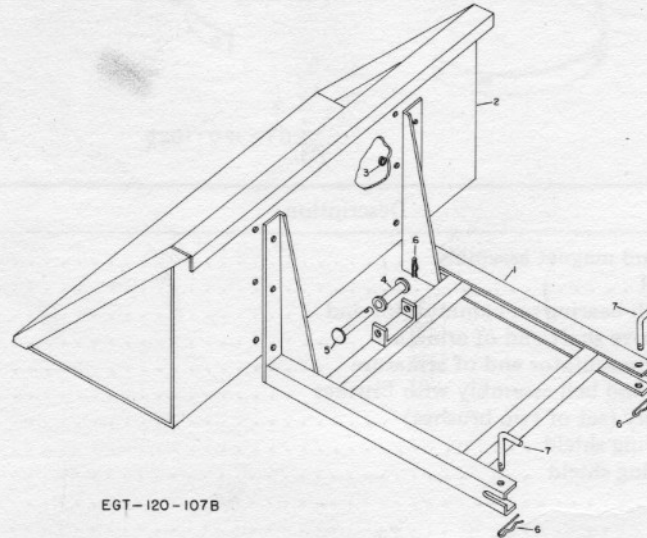


EGT - 120 - 102B

EGT 120 - LOT LM 2 -
EGT 150 - LOT LM 3 -

Key	Part No.	Description	Used	Lot No.
1	120838	Motor shell and magnet assembly	1	LM 2-
2	120837	Shaft end bell	1	LM 2-
3	120829	Armature with bearing on commutator end	1	LM 2-
4	120666	Bearing for drive shaft end of armature	1	LM 2-
5	120667	Bearing for commutator end of armature	1	LM 2-
6	120836	Commutator end bell assembly with brushes	1	LM 2-
7	120668	Brush assembly (set of two brushes)	1	LM 2-
8	120832	External bearing shield	1	LM 2-
9	120833	Internal bearing shield	1	LM 2-
10	120824	Dust cover	1	LM 2-
11	120834	Tie bolt	2	LM 2-
12	120826	Lock nut, whiz type, 1/4" - 20	2	LM 2-
13	120620	Circuit breaker	1	LM 2-
14	120831	Thrust washer	1	LM 2-
15	120827	Spacer	2	LM 2-
16	120517	Key	1	LM 2-
17	120552	Mower Motor, complete	3	LM 2-
	011001	Bolt, hex, 1/4" x 5/8"	4	LM 2-
18	120556	Wiring harness	1	LM 2-
19	120557	Wire box	1	LM 2-
20	120512	Mower housing	1	LM 2-
21	120489	Wire cover	1	LM 2-

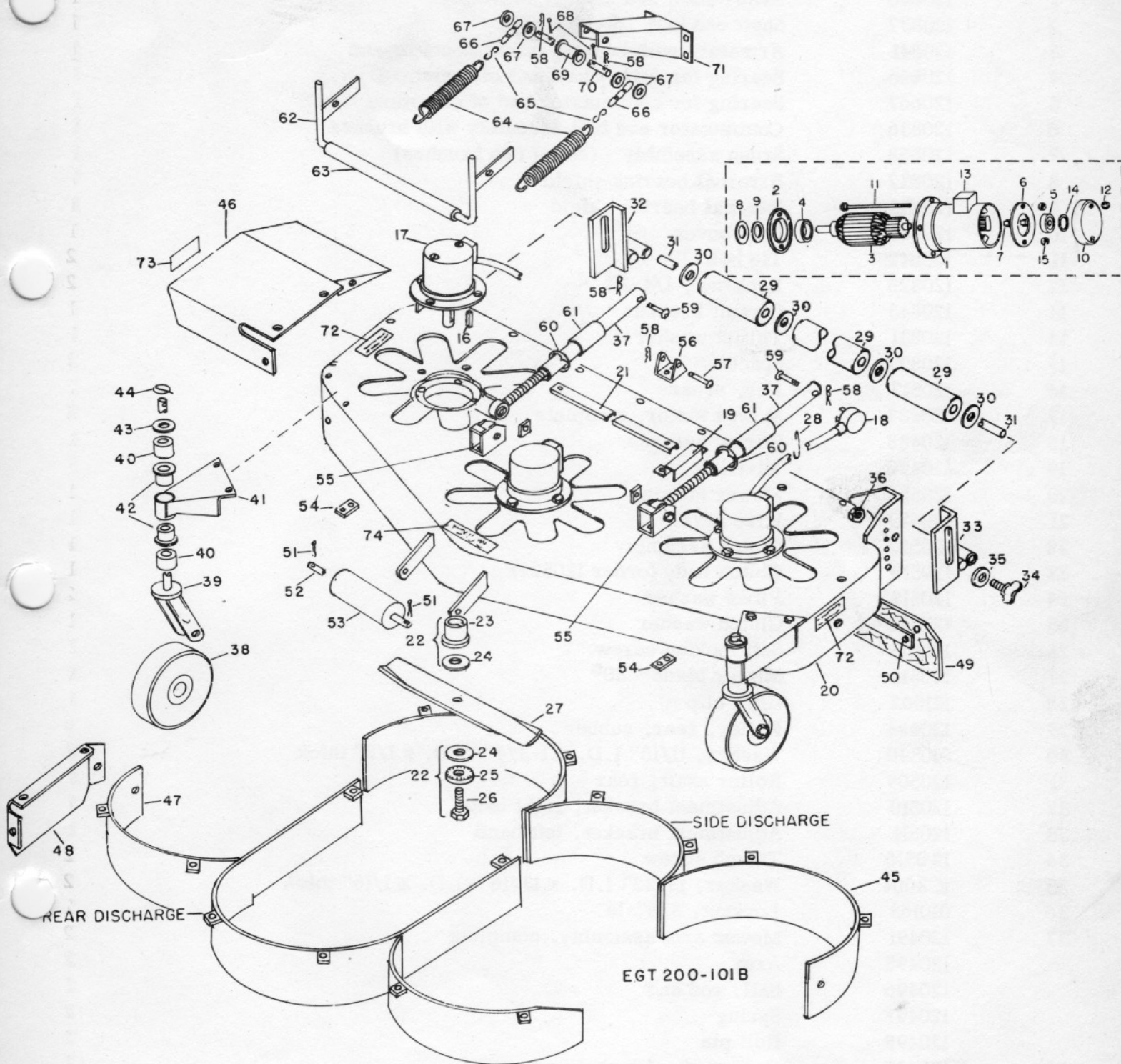
Key	Part No.	Description	Used	Lot No.
22	120560	Clutch assembly includes clutch body, all washers and locking bolt	1	LM 2-
23	120561	Clutch body (order 120560)	1	LM 2-
24	120519	Fiber washer	2	LM 2-
25	120520	Clutch washer	1	LM 2-
26	120562	Bolt, locking type	1	LM 2-
27	120515	Mower blade - 30 degree with insert	3	LM 2-
28	120852	Insert for blade	1	LM 2-
29	120485	Roller	5	LM 2-
30	010390	Washer, 11/16" I.D., x 1-3/4" O.D., x 1/8"	6	LM 2-
31	120509	Roller shaft	1	LM 2-
32	120510	Adjustment bracket right hand	1	LM 2-
33	120511	Adjustment bracket left hand	1	LM 2-
34	120516	Thumbscrew	2	LM 2-
35	K 3004	Washer	2	LM 2-
36	010163	Lock nut, 3/8" - 16	2	LM 2-
37	120553	Hanger arm assembly	4	LM 2-
38	120394	Hair pin cotter	4	LM 2-
39	120554	Chain assembly	2	LM 2-
40	120888	Washer	2	LM 2-
41	120858	Cotter pin	2	LM 2-
42	120563	Decal <u>Caution</u>	1	LM 2-
43	120558	Decal <u>Caution</u>	2	LM 2-
44	120857	Decal <u>Height Adjustment</u>	1	LM 2-
45	120527	Baffle assembly (side discharge only)	1	LM 2-
	011001	Bolt, hex, 1/4" x 5/8"	7	LM 2-
46	120528	Chute assembly (side discharge only)	1	LM 2-
	011001	Bolt, hex, 1/4" x 5/8"	3	LM 2-
	011002	Bolt, hex, 1/4" x 3/4"	1	LM 2-
47	120513	Baffle assembly (rear discharge only)	1	LM 2-
	011001	Bolt, hex, 1/4" x 5/8"	9	LM 2-
48	120514	Cover assembly (rear discharge only)	1	LM 2-
	011001	Bolt, hex, 1/4" x 5/8"	3	LM 2-
	011002	Bolt, hex, 1/4" x 3/4"	1	LM 2-
49	120507	Mower flap (rear discharge only)	1	LM 2-
50	120508	Strip for mower flap (rear discharge only)	1	LM 2-
	120859	Machine screw #10-32 x 7/16"	7	LM 2-



**PLATFORM LIFT
FOR EGT 120-150**

Key	Part No.	Description	Used
1	120955	Mounting frame	1
2	120956	Bucket	1
	K-4511	Bolt, hex, 3/8" x 1"	6
3	K-3558	Washer, 1-11/32" O.D., x 13/32" I.D., x 3/32" thick	6
4	120957	Spool	1
5	120958	Spindle	1
6	120544	Hair pin, cotter	3
7	120734	Pin	2

FRONT MOUNT MOWER



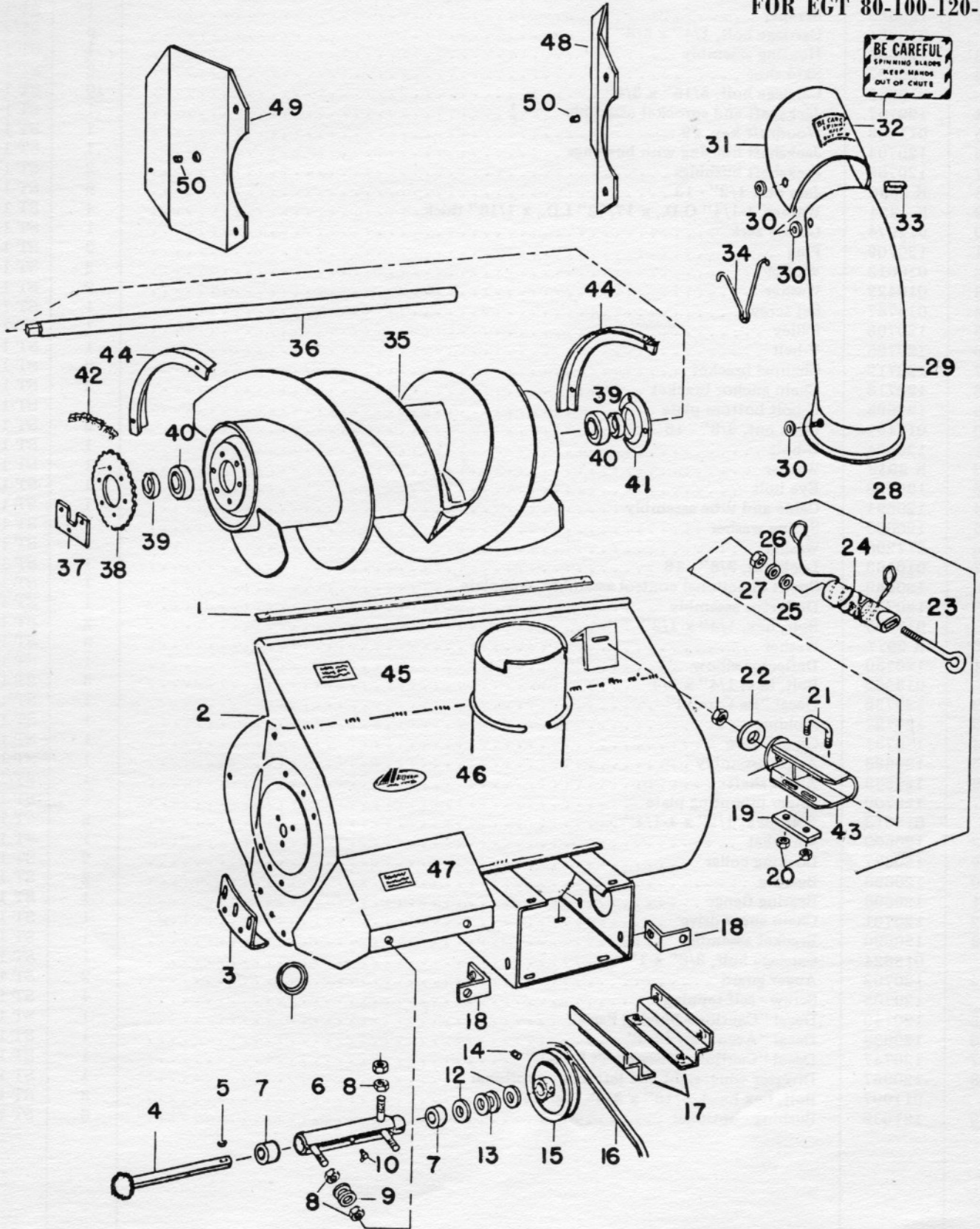
<u>Key</u>	<u>Part No.</u>	<u>Part Description</u>	<u>Used</u>
1	120840	Motor shell and magnet assembly	1
2	120837	Shaft end bell	1
3	120841	Armature with bearing on commutator end	1
4	120666	Bearing for drive shaft end of armature	1
5	120667	Bearing for commutator end of armature	1
6	120836	Commutator end bell assembly with brushes	1
7	120668	Brush assembly - (set of two brushes)	1
8	120832	External bearing shield	1
9	120833	Internal bearing shield	1
10	120506	Dust cover	1
11	120842	Tie bolt	2
12	120826	Lock-nut, 1/4-20	2
13	120843	Circuit breaker	1
14	120831	Thrust washer	1
15	120827	Spacer	2
16	120517	Key, square	1
17	120487	Mower motor, complete	3
18	120488	Wiring harness	1
19	120490	Wire box	1
20	120524	Mower housing	1
21	120489	Wire cover	1
22	120522	Clutch assembly	1
23	120518	Clutch body (order 120522)	1
24	120519	Fiber washer	2
25	120520	Clutch washer	1
26	120521	Self locking screw	1
27	120515	Mower blade - 30°	1
28	121062	Cord clip	1
29	120485	Roller, rear, rubber	5
30	010390	Washer, 11/16" I.D. x 1-3/4" O.D. x 1/8" thick	6
31	120509	Roller shaft, rear	1
32	120510	Adjustment bracket, right hand	1
33	120511	Adjustment bracket, left hand	1
34	12 0516	Thumb screw	2
35	K 3004	Washer, 13/32" I.D. x 13/16" O.D. x 1/16" thick	2
36	010163	Locknut, 3/8"-16	2
37	120491	Mower arm assembly, complete	2
	120495	Arm	2
	120496	Ball, rod end	2
	120497	Spring	2
	120498	Roll pin	2
38	120477	Caster wheel including bushing	2
	K 4554	Bolt, 1/2" x 3-1/2" (Grade 5)	2
	010165	Nut, 1/2" x 13, locking type	2
39	120482	Caster yoke	2
40	120478	Spacer	10
41	120483	Caster support	2
42	120484	Caster bearing	4
43	010513	Washer, 25/32" I.D. x 1-1/2" O.D. x 3/16" thick	2

44	120479	Spring pin	2
45	120527	Baffle assembly (side discharge only)	1
	011001	Bolt, hex, 1/4" x 5/8"	6
46	120528	Chute assembly (side discharge only)	1
	011001	Bolt, hex, 1/4" x 5/8"	3
	011002	Bolt, hex, 1/4" x 3/4"	1
47	120513	Baffle assembly (rear discharge only)	1
	011001	Bolt, hex, 1/4" x 5/8"	9
48	120514	Cover assembly (rear discharge only)	1
	011001	Bolt, hex, 1/4" x 5/8"	1
	011002	Bolt, hex, 1/4" x 3/4"	1
49	120507	Mower flap (rear discharge only)	1
50	120508	Strip for mower flap (rear discharge only)	1
	120859	Machine screw, #10-32 x 7/16"	7
51	010215	Cotter pin, 1/8" x 1"	2
52	120486	Roller shaft, front	1
53	121119	Roller, front, wood	1
54	121117	Plate, reinforcement	2
55	121116	Mounting bracket, mower arm	2
56	120480	Lift clevis	1
57	120481	Clevis pin	1
58	120394	Hair pin cotter	3
59	121118	Pin	2
60	120500	Retainer	2
61	120499	Wear sleeve	2
62	120493	Front guide assembly	1
63	120494	Sleeve	1
64	120492	Helper spring	2
65	120153	"S" hook	2
66	120502	Chain assembly	2
67	010503	Washer, 17/32" I.D. x 1-3/8" O.D. x 1/8" thick	4
68	010211	Cotter pin, 3/32" x 1"	2
69	120957	Spool	1
70	120981	Shaft	1
71	120980	Derrick assembly	1
72	120558	Decal - <u>Caution</u>	2
73	120563	Decal - <u>Caution</u>	1
74	120525	Decal - <u>Caution</u>	1

NOT ILLUSTRATED

121084	Ring reinforcement - Mower Motor	1
--------	----------------------------------	---

SNOW THROWER FOR EGT 80-100-120-150

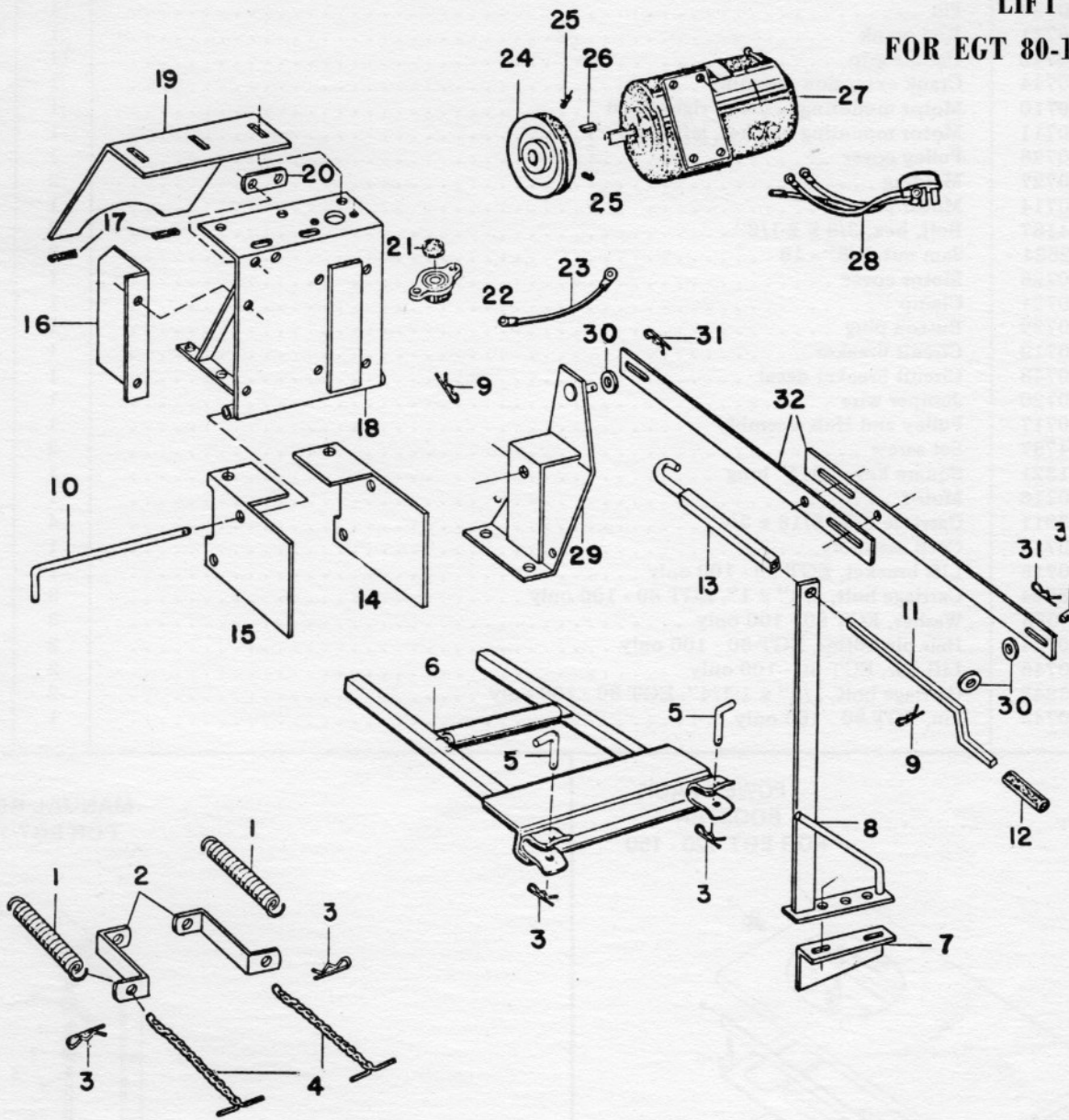


EGT - 100 - 107B

LOT NO ST 1 -

Key	Part No.	Description	Used	Lot No.
1	120685	Scraper	1	ST 1-
	013801	Carriage bolt, 1/4" x 5/8"	6	ST 1-
2	120684	Housing assembly	1	ST 1-
3	120687	Skid shoe	2	ST 1-
	013811	Carriage bolt, 5/16" x 3/4"	10	ST 1-
4	120707	Jackshaft and sprocket assembly	1	ST 1-
5	011253	Woodruff key, #9	1	ST 1-
6	120704	Jackshaft housing with bushings	1	ST 1-
7	120705	Jackshaft bushings	2	ST 1-
8	K 3686	Jam nut, 1/2" - 13	6	ST 1-
9	K 4324	Washer, 1-1/4" O.D., x 17/32" I.D., x 1/16" thick	4	ST 1-
10	011974	Grease zerk	1	ST 1-
11	120709	Plug	2	ST 1-
12	010513	Washer	2	ST 1-
13	010422	Washer	2	ST 1-
14	014787	Set screw	1	ST 1-
15	120708	Pulley	1	ST 1-
16	120725	V-belt	1	ST 1-
17	120712	Channel bracket	2	ST 1-
18	120713	Chain anchor bracket	2	ST 1-
19	120695	U-bolt bottom plate	1	ST 1-
20	010161	Lock nut, 3/8" - 16	2	ST 1-
21	120694	U-bolt	1	ST 1-
22	K 3913	Washer	1	ST 1-
23	120692	Eye bolt	1	ST 1-
24	120691	Cable and tube assembly	1	ST 1-
25	120693	Spring washer	1	ST 1-
26	014206	Washer	1	ST 1-
27	010163	Lock nut, 3/8" - 16	1	ST 1-
28	120689	Spout directional control assembly, complete	1	ST 1-
29	120729	Deflector assembly	1	ST 1-
	013550	Bolt, hex, 1/4" x 1/2"	2	ST 1-
30	K 2877	Washer	6	ST 1-
31	120730	Deflector elbow	1	ST 1-
	013552	Bolt, hex, 1/4" x 3/4"	3	ST 1-
32	120732	Decal "Be Careful"	1	ST 1-
33	120727	Molding	1	ST 1-
34	120731	Guard, wire	1	ST 1-
35	120686	Auger assembly	1	ST 1-
36	120688	Auger shaft	1	ST 1-
37	120700	Auger mounting plate	1	ST 1-
	013613	Bolt, hex, 1/2" x 1-1/4"	2	ST 1-
38	120699	Sprocket	1	ST 1-
39	120697	Locking collar	2	ST 1-
40	120696	Bearing	2	ST 1-
41	120698	Bearing flange	1	ST 1-
42	120701	Chain auger drive	1	ST 1-
43	120690	Bracket assembly	1	ST 1-
	013824	Carriage bolt, 3/8" x 1"	1	ST 1-
44	120702	Auger guard	2	ST 1-
	120703	Screw - self-tapping	4	ST 1-
45	120746	Decal "Caution - Moving Parts"	1	ST 1-
46	120683	Decal "Avco New Idea"	1	ST 1-
47	120747	Decal "Caution - Disconnect P.T.O."	1	ST 1-
48	120967	Diverter wing, right and left hand - optional	1	ST 1-
	011007	Bolt, hex head, 5/16" x 3/4" - optional	3	ST 1-
49	121039	Bushing - optional	6	ST 1-

SNOW THROWER LIFT ASSEMBLY FOR EGT 80-100-120-150

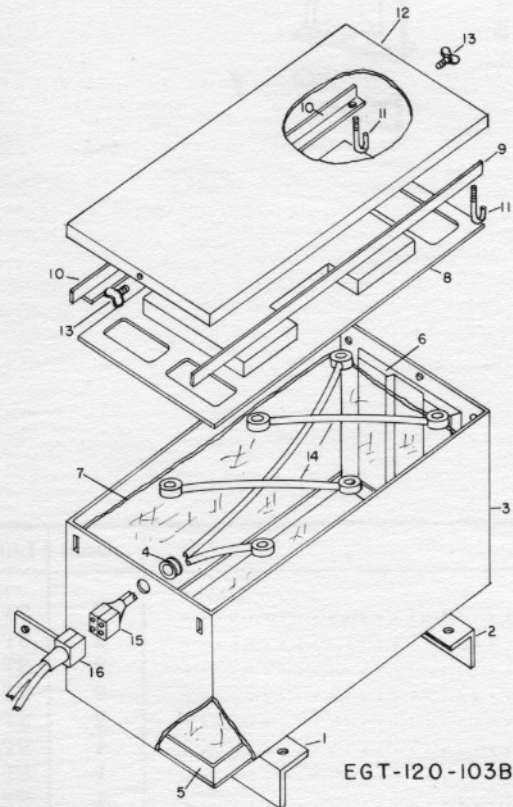


EGT -100 -108B

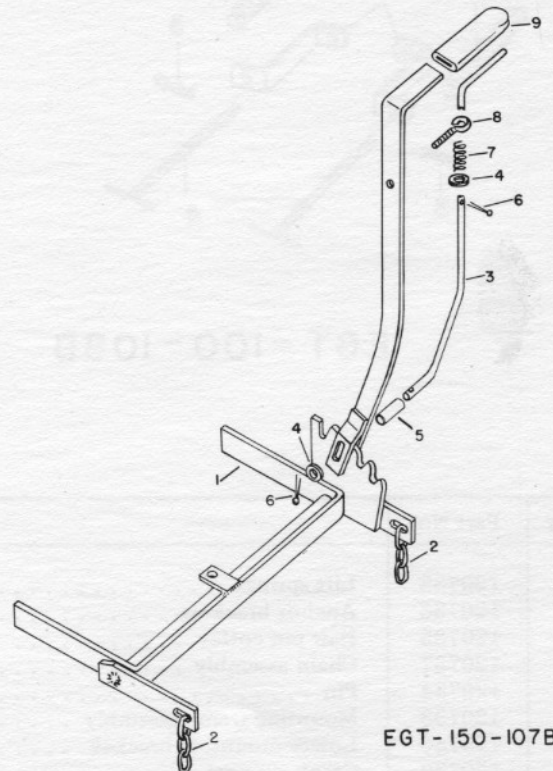
Key	Part No.	Description	Used	Lot No.
1	120738	Lift springs	2	ST 1-
2	120736	Anchor brackets	2	ST 1-
3	120735	Hair pin cotter	2	ST 1-
4	120737	Chain assembly	2	ST 1-
5	120734	Pin	2	ST 1-
6	120733	Mounting frame assembly	1	ST 1-
7	120740	Lower mounting bracket	1	ST 1-
8	120739	Crank support	1	ST 1-
9	120724	Hair pin cotter	2	ST 1-

Key	Part No.	Description	Used	Lot No.
10	120723	Pin	1	ST 1-
11	120741	Rod crank	1	ST 1-
12	120742	Handle grip	1	ST 1-
13	120744	Crank extension assembly	1	ST 1-
14	120710	Motor mounting bracket, right hand	1	ST 1-
15	120711	Motor mounting bracket, left hand	1	ST 1-
16	120728	Pulley cover	1	ST 1-
17	120727	Molding	2	ST 1-
18	120714	Motor plate	1	ST 1-
	014167	Bolt, hex, 3/8 x 2-1/2"	2	ST 1-
	K 2884	Jam nut, 3/8" - 16	2	ST 1-
19	120726	Motor cover	1	ST 1-
20	120721	Clamp	1	ST 1-
21	120722	Button plug	1	ST 1-
22	120719	Circuit breaker	1	ST 1-
	120748	Circuit breaker decal	1	ST 1-
23	120720	Jumper wire	1	ST 1-
24	120717	Pulley and Hub assembly	1	ST 1-
25	014787	Set screw	2	ST 1-
26	011321	Square key, 1-1/4" long	1	ST 1-
27	120716	Motor	1	ST 1-
	013811	Carriage bolt, 5/16 x 3/4"	4	ST 1-
28	120718	Cord assembly	1	ST 1-
29	120715	Lift bracket, EGT 80 - 100 only	1	ST 1-
	013824	Carriage bolt, 3/8" x 1", EGT 80 - 100 only	3	ST 1-
30	K 3038	Washer, EGT 80 - 100 only	3	ST 1-
31	120724	Hair pin cotter, EGT 80 - 100 only	2	ST 1-
32	120745	Lift bar, EGT 80 - 100 only	2	ST 1 only
	013843	Carriage bolt, 1/2" x 1-1/4", EGT 80 - 100 only	2	ST 1 only
33	120743	Pin, EGT 80 - 100 only	1	ST 1 only

POWER PACK BOOSTER FOR EGT 120 - 150



MANUAL REAR LIFT FOR EGT 120 - 150

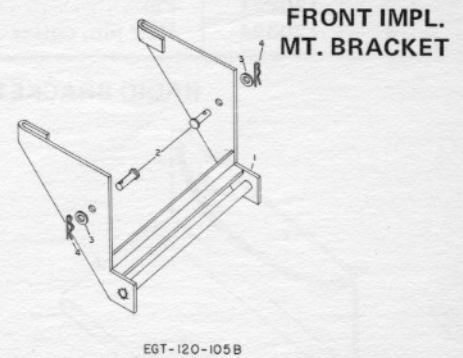
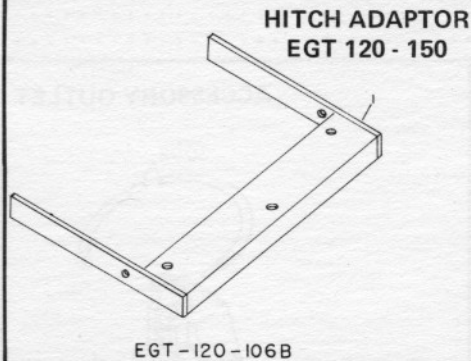
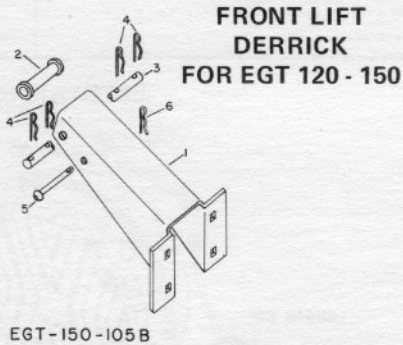


POWER PACK BOOSTER

Key	Part No.	Description	Used
1	120969	Support - right hand - rear mounted	1
		Support - left hand - front mounted	1
2	120970	Support - left hand - rear mounted	1
		Support - right hand - front mounted	1
3	120971	Battery box	1
	010498	Carriage bolt, 3/8" x 3/4"	4
	K 3004	Washer, 13/16" O.D., x 13/32" I.D., x 1/16" thick	4
	011007	Bolt, hex, 5/16" x 3/4"	2
4	120972	Rubber grommet	2
5	120082	Battery tray	1
6	120085	Battery protector	2
7	120083	Battery liner	1
8	120973	Battery cover	1
9	120974	Hold down, rear, rear mounted	1
		Hold down, front, front mounted	1
10	120975	Hold down, front, rear mounted	1
		Hold down, rear, front mounted	1
11	120140	Hold down stud	2
12	120976	Cover, battery box	1
13	120977	Thumbscrew	2
14	120087	Interconnecting battery cable	2
15	120978	Outlet cable	1
16	120979	Tractor cable	1

MANUAL REAR LIFT

1	120961	Frame and lever assembly	1
	011009	Bolt, 5/16" x 1-1/4"	1
2	120962	Chain assembly	2
3	120963	Latch rod	1
4	014797	Washer, 9/16" O.D., x 1/4" I.D., x 3/64" thick	2
5	120964	Spacer	1
6	010203	Cotter pin, 1/16" x 3/4"	2
7	120965	Spring	1
8	120966	Eye bolt	1
9	120548	Handle grip	1



FRONT LIFT DERRICK

1	120980	Derrick assembly	1
2	120957	Spool	1
3	120981	Pin	1
4	120394	Hair pin, cotter	4
5	120982	Pin	1
6	120544	Hair pin, cotter	1

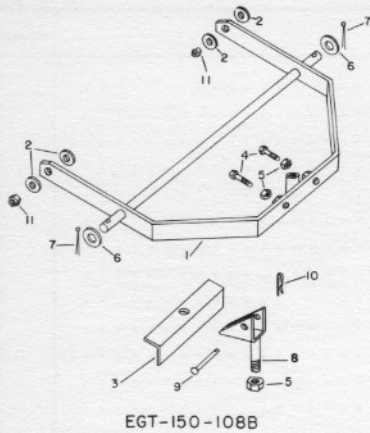
HITCH ADAPTOR

1	120636	Hitch adaptor	1
---	--------	---------------	---

FRONT IMPLEMENT MOUNTING BRACKET

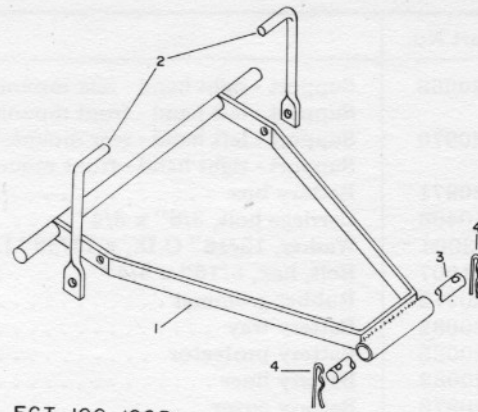
1	120949	Bracket assembly	1
2	120950	Pin	2
3	K-3206	Washer, 1-1/2" O.D., x 21/32" I.D., x 3/32" thick	2
4	120394	Hair pin, cotter	2

**SLEEVE HITCH
FOR EGT 120 - 150**



EGT-150-108B

FRONT IMPL. MT. BRACKET



EGT-100-106B

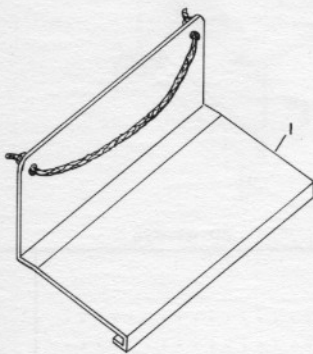
SLEEVE HITCH

Key	Part No.	Description	Used
1	120951	Hitch assembly	1
2	010491	Washer, 1" O.D., x 17/32" I.D., x 1/16" thick	4
3	120952	Plate	1
4	011032	Bolt, hex, 5/8" x 2-1/2" long	2
5	013474	Nut, 5/8" - 18	3
6	K-3206	Washer, 1-1/2" O.D., x 21/32" I.D., x 3/32" thick	2
7	014238	Cotter pin, 5/32" x 1"	2
8	120953	Pin (electric lift only)	1
9	120954	Clevis pin (electric lift only)	1
10	120544	Hair pin, cotter (electric lift only)	1
11	010165	Locknut, 1/2" - 13	2

FRONT IMPLEMENT MOUNTING BRACKET

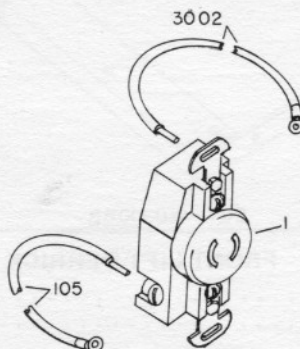
1	120928	Bracket	1
2	120930	Support	2
	K-1877	Bolt, hex, 1/2" x 1"	2
3	120931	Pin	1
4	120394	Hair pin, cotter	2

RADIO BRACKET



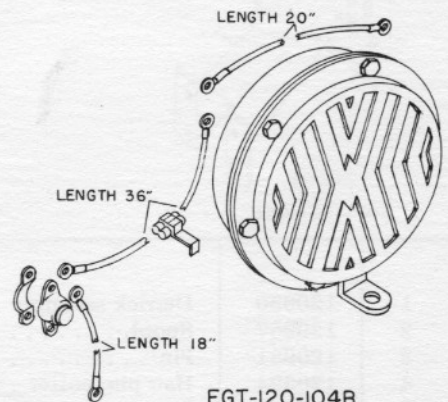
EGT-150-106B

ACCESSORY OUTLET



EGT-80-105B

ELECTRIC HORN



EGT-120-104B

RADIO BRACKET

1	120640	Radio bracket	1
---	--------	-------------------------	---

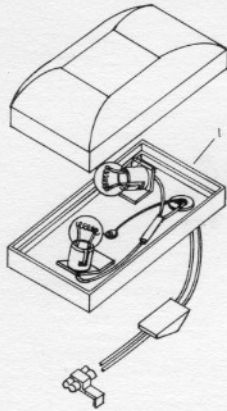
ACCESSORY OUTLET

1	120625	Accessory outlet, complete	1
---	--------	--------------------------------------	---

ELECTRIC HORN KIT

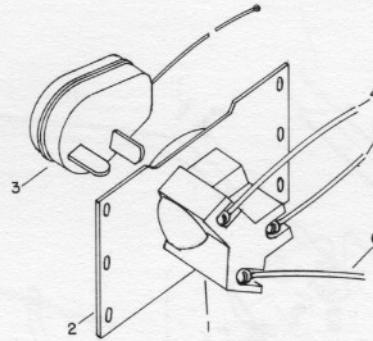
1	120623	Horn complete	1
---	--------	-------------------------	---

**REAR TAIL LIGHT KIT
FOR EGT 120 - 150**



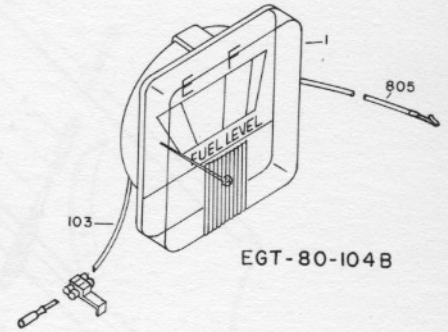
EGT-150-104B

**P.T.O. OUTLET
FOR EGT 80 - 100**



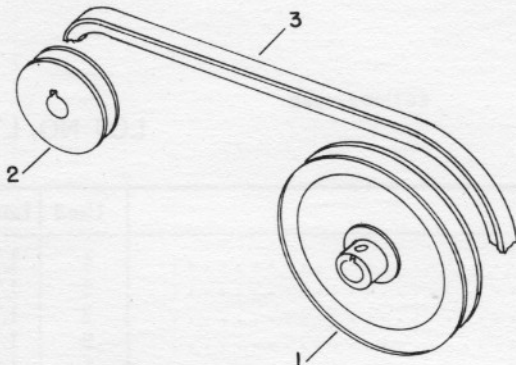
EGT-80-103B

**FUEL GAUGE
FOR EGT 80**



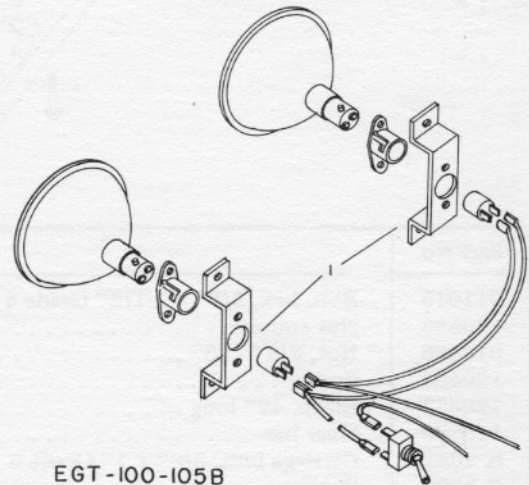
EGT-80-104B

**SPEED REDUCTION
FOR EGT 80 - 100**



EGT-80-106B

HEAD LIGHT KIT

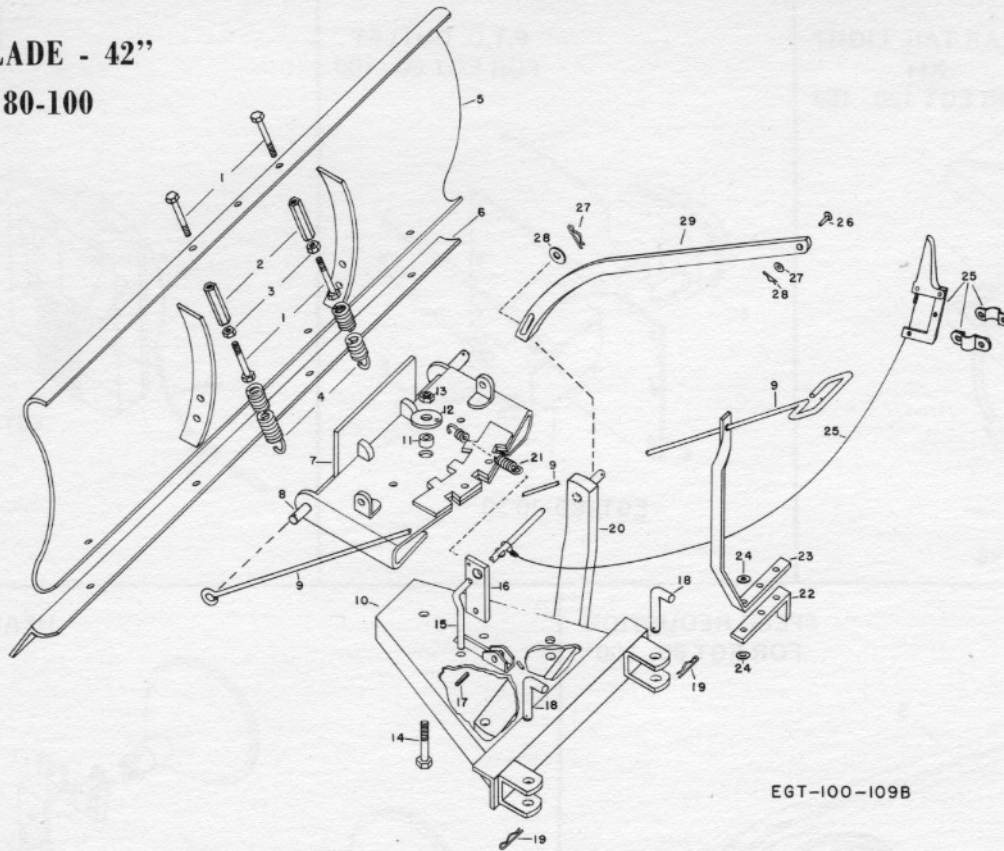


EGT-100-105B

REAR TAIL LIGHT KIT

Key	Part No.	Description	Used
1	120624	Rear tail light, complete	1
P.T.O. OUTLET			
1	120474	P.T.O. Outlet	1
2	120844	Template	1
3	120848	Cap, shorting	1
4	120850	Wire (80 - 21)	1
5	120849	Wire (80 - 20)	1
6	120851	Wire (80 - 22)	1
FUEL GAUGE KIT			
1	120626	Fuel Gauge complete	1
SPEED REDUCTION KIT			
1	120933	Transaxle sheave	1
2	120934	Motor sheave	1
3	120935	V-Belt	1
HEAD LIGHT KIT			
1	120627	Head light kit, complete	1

DOZER BLADE - 42"
FOR EGT 80-100

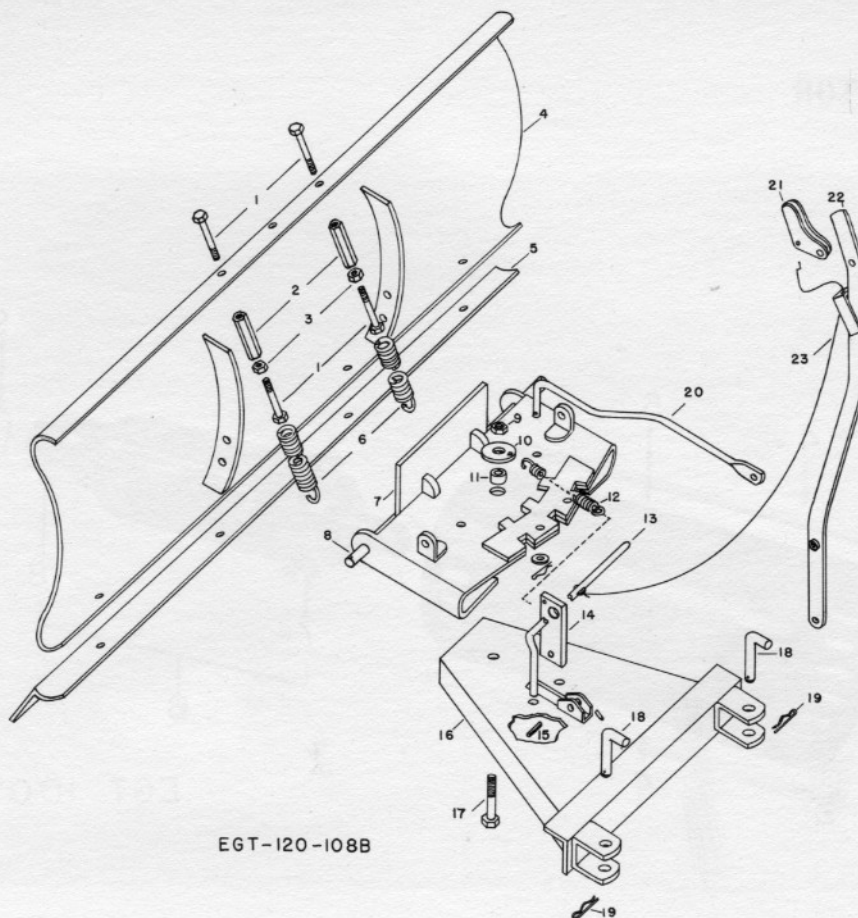


EGT-100-109B

LOT NO. LT 1 -

Key	Part No.	Description	Used	Lot No.
1	011015	Bolt, hex, 3/8" x 1-1/2" Grade 5	4	LT 1-
2	120535	Nut coupler	2	LT 1-
3	013465	Nut, 3/8" - 16	2	LT 1-
4	120533	Spring	2	LT 1-
5	120577	Blade, 42" long	1	LT 1-
6	120578	Wear bar	1	LT 1-
	K 4931	Carriage bolt, 3/8" x 1" Grade 5	4	LT 1-
	K 3004	Washer	4	LT 1-
7	120534	Pivot assembly	1	LT 1-
8	120579	Pivot rod	1	LT 1-
	010223	Cotter pin, 5/32" x 1-1/4"	1	LT 1-
9	120583	Angling rod	1	LT 1-
	010513	Washer, 25/32" x 1-1/2"	1	LT 1-
	120394	Hair pin cotter	1	LT 1-
10	120536	Tube assembly	1	LT 1-
11	120541	Spacer	1	LT 1-
12	120542	Washer	1	LT 1-
13	013475	Nut, 3/4" - 10	1	LT 1-
14	011039	Bolt, hex, 3/4" x 4-1/2" Grade 5	1	LT 1-
15	120581	Handle	1	LT 1-
16	120538	Pivot bar lock	1	LT 1-
17	120539	Pin	1	LT 1-
18	120537	Pin, drilled	2	LT 1-
19	120394	Hair pin cotter	2	LT 1-
20	120586	Lift bracket assembly	1	LT 1-
	014168	Bolt, hex, 3/8" x 3-1/4" Grade 5	2	LT 1-
21	120540	Spring	1	LT 1-
22	120585	Support bracket	1	LT 1-
23	120582	Support	1	LT 1-
	011009	Bolt, hex, 5/16" x 1-1/4" Grade 5	2	LT 1-
24	K 4888	Washer	4	LT 1-
25	120584	Release cable and handle assembly	1	LT 1-
26	120387	Clevis pin	1	LT 1-
27	K 4324	Washer	2	LT 1-
28	120394	Hair pin cotter	2	LT 1-
29	120587	Lift bar	1	LT 1-

**DOZER BLADE - 48"
FOR EGT 120-150**

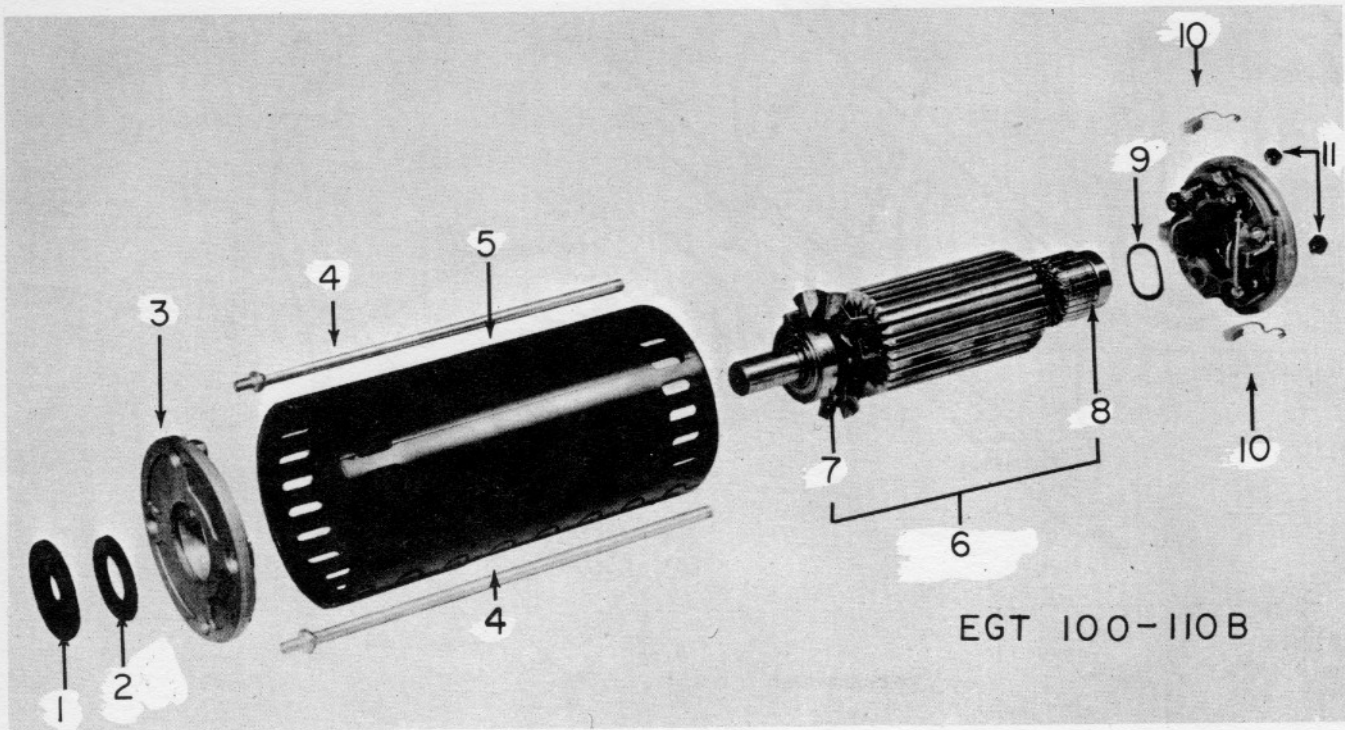


EGT-120-108B

LOT NO. LT 3-

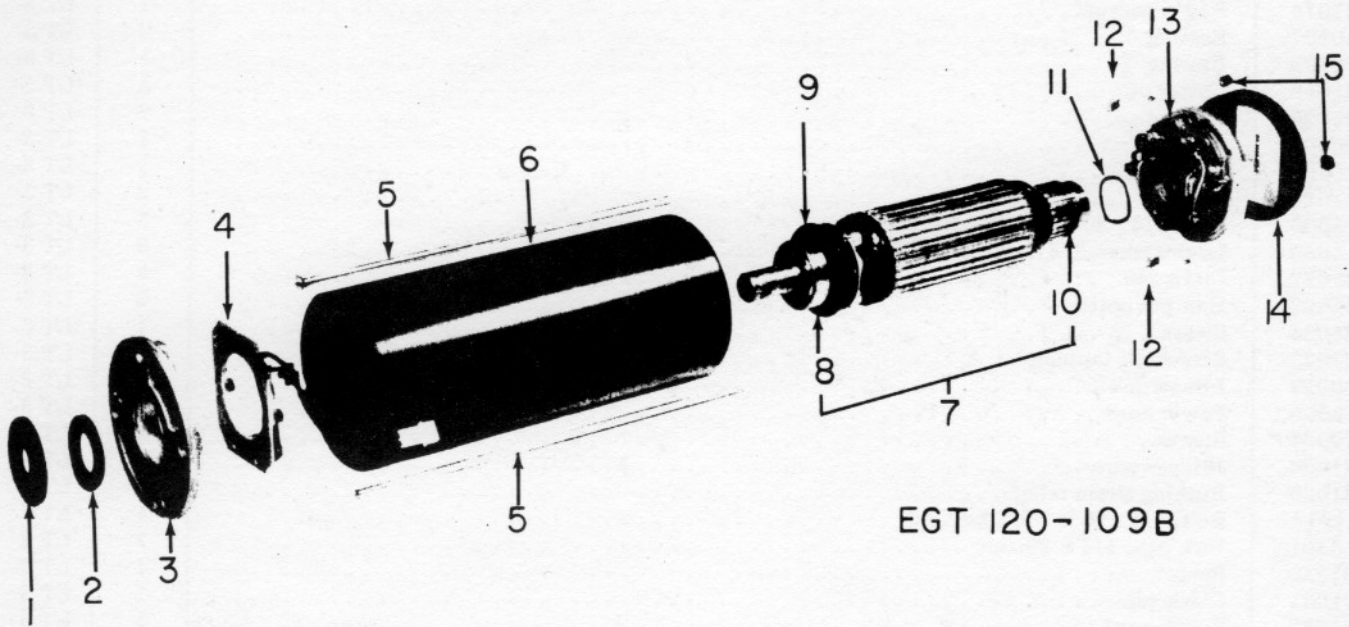
Key	Part No.	Description	Used	Lot No.
1	011015	Bolt, hex, 3/8" x 1-1/2"	4	LT 3-
2	120535	Nut coupler	2	LT 3-
3	013465	Nut, 3/8" - 16	2	LT 3-
4	120530	Blade, 48"	1	LT 3-
5	120531	Wear bar	1	LT 3-
	K 4931	Bolt, carriage, 3/8" x 1"	4	LT 3-
	K 3004	Washer	4	LT 3-
6	120533	Spring	2	LT 3-
7	120534	Pivot assembly	1	LT 3-
8	120532	Pivot rod	1	LT 3-
	010223	Cotter pin, 5/32" x 1-1/4"	2	LT 3-
9	013475	Nut, 3/4" - 10	1	LT 3-
10	120542	Washer	1	LT 3-
11	120541	Spacer	1	LT 3-
12	120540	Spring	1	LT 3-
13	120545	Handle	1	LT 3-
14	120538	Pivot bar	1	LT 3-
15	120539	Pin	1	LT 3-
16	120536	Tube assembly	1	LT 3-
17	011039	Bolt, hex, 3/4" x 4-1/2"	1	LT 3-
18	120537	Pin drilled	2	LT 3-
19	120394	Hair pin cotter	2	LT 3-
20	120547*	Rod assembly	1	LT 3-
	120927*	Washer	3	LT 3-
	120394*	Hair pin cotter	3	LT 3-
21	120549*	Hand lever	1	LT 3-
	120550*	Roll pin	1	LT 3-
	011022*	Bolt, hex, 1/4" x 3/4"	1	LT 3-
22	120546*	Handle assembly	1	LT 3-
	120548*	Handle grip	1	LT 3-
23	120551*	Cable assembly	1	LT 3-
	*Optional			

ELECTRIC DRIVE MOTOR FOR EGT 80-100



Key	Part No.	Description	Used	Lot No.
1	121050	Shield bearing, external	1	LT 1-
2	121050	Shield bearing, internal	1	LT 1-
3	121044	Shield drive end	1	LT 1-
4	121048	Tie bolts	2	LT 1-
5	121040	Shell and magnet assembly, EGT 80	1	LT 1-
	121052	Shell and magnet assembly, EGT 100	1	LT 2-
6	121041	Armature and bearings, EGT 80	1	LT 1-
	121053	Armature and bearings, EGT 100	1	LT 2-
7	121042	Bearing drive end	1	LT 1-
8	121043	Bearing commutator end	1	LT 1-
9	121047	Thrust washer	1	LT 1-
10	121045	Shield assembly - commutator end	1	LT 1-
	121046	Brush assembly	2	LT 1-
11	120826	Nut	2	LT 1-
	120122	Drive motor, EGT 80	1	LT 1-
	120121	Drive motor, EGT 100	1	LT 2-

**ELECTRIC DRIVE MOTOR
FOR EGT 120**



EGT 120-109B

Key	Part No.	Description	Used	Lot No.
1	121050	Shield bearing, external	1	LT 3-
2	121051	Shield bearing, internal	1	LT 3-
3	121057	Shield drive end	1	LT 3-
4	121058	Switch assembly	1	LT 3-
5	121059	Tie bolt	2	LT 3-
6	121054	Shell and magnet assembly	1	LT 3-
7	121055	Armature and bearings	1	LT 3-
8	121042	Bearing drive end	1	LT 3-
9	121056	Actuator switch	1	LT 3-
10	121043	Bearing commutator end	1	LT 3-
11	121047	Thrust washer	1	LT 3-
12	121046	Brush assembly	2	LT 3-
13	121045	Shield assembly, commutator end	1	LT 3-
14	121061	Cover	1	LT 3-
15	121060	Locknut	2	LT 3-
	120448	Drive motor, EGT 120	1	LT 3-

ELECTRIC LIFT - REAR

Part No.	Description	Used	Lot No.
121015	Motor	1	LT 3-
121016	Gear	1	LT 3-
121017	Shaft	1	LT 3-
121018	Key woodruff	1	LT 3-
120597	Bearing	2	LT 3-
120598	Bearing	1	LT 3-
121019	Cotter pin	1	LT 3-
121020	Washer	2	LT 3-
120600	Tape	1	LT 3-
120599	Clip	1	LT 3-
121021	Spacer	3	LT 3-
011003	Bolt, 1/4 - 20 x 7/8, hex hd.	3	LT 3-
011935	Lockwasher, 1/4	3	LT 3-
121022	Clevis pin	2	LT 3-
121023	Hair pin cotter	2	LT 3-
121024	Sleeve	1	LT 3-
121025	Screw self tapping	10	LT 3-
120023	Lift switch	1	LT 3-
121026	Power cord	1	LT 3-
121027	Spacer	1	LT 3-
121028	Jumper wire	2	LT 3-
121029	Bushing strain relief	1	LT 3-
K-4914	Bolt, 1/4 - 20 x 1-3/4 hex. hd.	1	LT 3-
013461	Nut, hex, 1/4 x 20 zinc	1	LT 3-
121030	Spacer	1	LT 3-
121031	Clevis pin	1	LT 3-
121032	Power cord	1	LT 3-
121033	Frame assembly	1	LT 3-
121034	Cover motor	1	LT 3-
121035	Cover gear	1	LT 3-
121036	Decal	1	LT 3-
121037	Stop bracket	1	LT 3-
121038	Chain bracket	1	LT 3-

NUMERICAL INDEX

Part No.	Page No.	Part No.	Page No.	Part No.	Page No.	Part No.	Page No.	Part No.	Page No.
010		011012	6	12-14-15-38		014190	5	120022	11
010032	5	011015	34-35	013463	5-21	014206	28	120023	17-19-38
010161	21-22-23-28	011022	35	013465	4-34-35	014238	5-32	120024	12-13-
010162	21-22	011032	32	013466	22	014787	28-30		15-17-19
010163	26-26B-28	011039	34-35	013469	5	014797	31	120025	17-19
010165	21-26B-32	011042	8	013470	10	014812	8	120026	17-19
010203	31	011043	8	013474	32	014813	6	120027	17-19
010211	6-7-26C	011211	8	013475	34-35			120028	17-19
010214	4-10	011253	6-8-22-28	013550	28	120		120029	17-19
010215	26C	011258	8	013552	28	120000	10	120030	17-19
010217	23	011321	30	013553	21	120001	10	120032	15-17-19
010223	34-35	011572	10	013561	21	120002	10	120033	17-19
010390	26-26C	011590	22	013563	21	120003	10	120035	11
010397	8	011933	4	013565	21	120004	10	120036	11
010422	28	011935	4-5-6-7-12-14-15-38	013566	21	120005	10	120037	17-19
010491	21-32			013567	21	120006	10	120039	17-19
010498	31	011936	5	013568	21	120007	17-19	120040	12-13-15-17-19
010502	8	011937	4-22	013569	7	120008	17-19	120041	17-19
010513	26B-28-34	011939	4-5	013613	21-28	120009	17-19	120042	19
010937	8	011974	28	013614	5	120010	10	120043	17-19
		011976	4-10	013801	28	120011	10	120044	12-13-15-17-19
				013811	28-30	120012	10		
				013812	8-10	120013	17-19	120045	17-19
				013824	28-30	120014	17-19	120046	19
				013843	30	120015	17-19	120047	19
				013924	22	120016	11	120048	19
						120017	11	120049	17-19
						120018	10	120050	17-19
						120019	10	120051	19
						120021	10	120052	19

NUMERICAL INDEX (Cont.)

Part No.	Page No.	Part No.	Page No.	Part No.	Page No.	Part No.	Page No.	Part No.	Page No.
120053	19	120131	12-14-	120211	5	120466	11	120550	35
120054	17		15-17-19	120212	4-11	120467	11	120551	35
120056	10	120132	5-10	120213	5	120468	10	120552	25
120057	17	120133	5-10	120214	5	120469	17-19	120553	24-26
120058	17	120134	5	120215	5	120470	17-19	120554	26
120059	17	120135	5	120216	8	120473	17-19	120556	25
120060	17	120136	4	120217	8	120474	17-19-33	120557	25
120061	17	120137	4	120219	8	120475	17	120558	26-26C
120062	4	120138	4	120221	8	120477	26B	120560	25-26
120063	4	120139	4	120222	6-8	120478	26B	120561	25-26
120064	5	120140	31	120223	8	120479	26C	120562	25-26
120065	4-5	120141	4	120224	8	120480	26C	120563	26-26C
120066	6	120142	7	120225	8	120481	26C	120564	24
120067	4	120143	7-8	120232	8	120482	26B	120565	24
120068	4	120145	7	120233	8	120483	26B	120567	25
120069	4	120146	5	120235	8	120484	26B	120568	25
120070	5	120147	5	120236	8	120485	26-26B	120570	24
120071	5	120148	7	120237	8	120486	26C	120571	24
120072	4	120149	6	120238	8-17-19	120487	26B	120572	24
120073	4	120150	6	120240	6	120488	26B	120573	24
120074	7	120151	6	120241	6	120489	25-26B	120575	24
120075	6-8	120152	6	120242	6	120490	26B	120577	34
120076	7	120153	6-26C	120375	10	120491	26B	120578	34
120078	7	120154	6	120376	4-10	120492	26C	120579	34
120079	7	120160	4	120382	10	120493	26C	120581	34
120080	4-8	120161	4	120383	7	120494	26C	120582	34
120081	4	120162	4	120385	10	120495	26B	120583	34
120082	5-31	120163	4-10	120387	34	120496	26B	120584	34
120083	5-31	120164	5-10	120388	11	120497	26B	120585	34
120084	5	120166	5-15	120393	8	120498	26B	120586	34
120085	5-31	120167	5	120394	24-26-26C- 31-32-34-35	120499	26B	120587	34
120086	12-14-17	120168	4	120413	4-10	120500	26C	120588	8
120087	12-13-31	120169	4	120414	7	120502	26C	120589	10
120088	12-13-17-19	120170	4-5	120416	10	120503	26C	120590	8
120089	5	120171	5	120418	4-11	120506	26B	120591	8
120090	5	120172	7-12-14-15	120419	11	120507	26-26C	120592	8
120091	5	120173	7	120420	4-11	120508	26-26C	120593	8
120092	12-13-17-19	120174	7	120421	10	120509	26-26B	120594	8
120093	4	120175	6	120422	10	120510	26-26B	120595	8
120094	12-13	120176	6	120423	10	120511	26-26B	120596	8
120095	15	120178	6	120424	10	120512	25	120597	8-38
120096	15-17-19	120179	6	120425	10	120513	26-26C	120598	8-38
120098	15	120180	6	120426	10	120514	26-26C	120599	8-38
120099	19	120181	6	120427	10	120515	26	120600	8-38
120100	15-17-19	120182	10	120428	10	120516	26-26B	120601	8
120101	4	120183	10	120429	10	120517	24-25-26B	120602	8
120102	5	120184	10	120430	10	120518	26B	120603	8
120103	5	120185	10	120431	10	120519	25-26-26B	120605	4
120104	15-17-19	120186	17-19	120432	4	120520	25-26-26B	120606	4
120106	4	120187	15-17-19	120433	4	120521	26B	120607	4
120107	4	120188	17-19	120434	4	120522	26B	120608	4
120108	12-13-15	120189	15-17-19	120435	4	120524	26B	120609	4
120109	12-13- 15-17-19	120190	15-17-19	120436	4	120525	26C	120610	10
120110	12-13- 15-17-19	120191	17-19	120437	4	120527	26-26C	120612	5-10
120111	12-13- 15-17-19	120192	12-14- 15-17-19	120438	5	120528	26-26C	120616	10
120112	15-17-19	120193	17-19	120440	8	120530	35	120617	10
120115	12-14-15	120194	15	120441	8	120531	35	120618	10
120116	12-13	120195	12-14	120442	10	120532	35	120619	10
120117	12-13-15	120196	12-14	120443	10	120533	34-35	120620	25
120118	12-13-15	120197	12-14-15	120444	10	120534	34-35	120623	32
120119	12-13-15	120198	12-14	120445	10	120535	34-35	120624	33
120120	12-13-15	120199	15	120446	10	120536	34-35	120625	32
120121	15-36	120200	12-14	120447	19	120537	34-35	120626	33
120122	12-14-36	120201	12-14-15	120448	17-37	120538	34-35	120627	33
120123	5	120202	12-14-15	120449	17-19	120539	34-35	120636	31
120124	5	120203	12-14-15	120450	8	120540	34-35	120640	32
120125	12-13-15	120204	12-14-15	120451	8	120541	34-35	120666	24-25-26B
120126	12-13-15	120205	5	120452	8	120542	34-35	120667	24-25-26B
120128	12-13-15	120206	5	120453	8	120544	26-31-32	120668	24-25-26B
120129	12-13-15	120207	5	120454	8	120545	35	120670	4
120130	12-13-15	120208	5	120455	19	120546	35	120671	7
		120209	5	120456	17	120547	35	120672	4
		120210	5	120464	17	120548	31-35	120674	5
				120465	10	120549	35	120676	15-17-19

NUMERICAL INDEX (Cont.)

Part No.	Page No.	Part No.	Page No.	Part No.	Page No.	Part No.	Page No.	Part No.	Page No.
120677	.6	120765	.21	120840 26B	120940 23	121021 38
120678	.3	120766	.21	120841 26B	120941 23	121022 38
120679	.4	120767	.21	120842 26B	120942 23	121023 38
120680	.4	120768	.21	120843 26B	120943 23	121024 38
120681	12-14	120769	.21	120844 33	120949 31	121025 38
120682	22-23	120770	.21	120848 33	120950 31	121026 38
120683	24-28	120771	.21	120849 33	120951 32	121027 38
120684	.28	120772	.21	120850 33	120952 32	121028 38
120685	.28	120773	.21	120851 33	120953 32	121029 38
120686	.28	120774	.21	120852 25-26	120954 32	121030 38
120687	.28	120775	.21	120853 25	120955 26	121031 38
120688	.28	120776	.21	120854 25	120956 26	121032 38
120689	.28	120777	.21	120857 26	120957	26-26C-31	121033 38
120690	.28	120778	.21	120858 26	120958 26	121034 38
120691	.28	120779	.21	120859 26-26C	120961 31	121035 38
120692	.28	120780	.21	120860 4	120962 31	121036 38
120693	.28	120781	.21	120861 4	120963 31	121037 38
120694	.28	120782	.21	120862 4	120964 31	121038 38
120695	.28	120783	.21	120863 6	120965 31	121039 28
120696	.28	120784	.21	120864 6	120966 31	121040 36
120697	.28	120785	.21	120865 6	120967 28	121041 36
120698	.28	120786	.21	120866 6	120969 31	121042 36-37
120699	.28	120787	.21	120867 7	120970 31	121043 36-37
120700	.28	120788	.21	120868 6	120971 31	121044 36
120701	.28	120789	.21	120869 5	120972 31	121045 36-37
120702	.28	120790	.21	120873 8	120973 31	121046 36-37
120703	.28	120791	.21	120874 8	120974 31	121047 36-37
120704	.28	120792	.21	120875 8	120975 31	121048 36
120705	.28	120793	.21	120876 5-7	120976 31	121050 36-37
120707	.28	120794	.21	120877 5	120977 31	121051 36-37
120708	.28	120795	.21	120880 4	120978 31	121052 36
120709	.28	120796	.21	120881 4	120979 31	121053 36
120710	.30	120797	.21	120882 4	120980	26C-31	121054 37
120711	.30	120798	.21	120885 6	120981	26C-31	121055 37
120712	.28	120799	.21	120886 7	120982 31	121056 37
120713	.28	120800	.21	120887 6	120988 22	121057 37
120714	.30	120801	.21	120888 4-7-26	120989 22	121058 37
120715	.30	120802	.21	120889 5	120990 22	121059 37
120716	.30	120803	.21	120890 5	120991 22	121060 37
120717	.30	120804	.21	120891 4-5-24	120992 22	121061 37
120718	.30	120805	.21	120892 5	120993 22	121062 26B
120719	.30	120806	.21	120893 5	120994 22	121084 26C
120720	.30	120807	.21	120894 5	120995 22	121090 26B
120721	.30	120808	.21	120895 5	120996 22	121116 26C
120722	.30	120809	.21	120896 5	120997 22	121117 26C
120723	.30	120810	.21	120897 4	120998 22	121118 26C
120724	29-30	120811	.21	120898 4	120999 22	121119 26C
120725	.28	120812	.21	120899 4				
120726	.30	120813	.21	120902 10	121		K	
120727	28-30	120814	.21	120903 10				
120728	.30	120815	.21	120904 10	121000 22	K 1442 4-5
120729	.28	120816	.21	120905 11	121001 22	K 1758 5
120730	.28	120817	.22	120906 11	121002 22	K 1877 32
120731	.28	120818	.22	120909 8	121003 22	K 2877 28
120732	.28	120819	.22	120910 8	121010 24	K 2884 30
120733	.29	120820	.22	120917 10	121015 38	K 2902 6-10
120734	26-29	120821	.22	120918 11	121016 38	K 3004	26-26B-31-34-35
120735	.29	120822	.22	120920 10	121017 38	K 3037 21-22
120736	.29	120823	.22	120924 8	121018 38	K 3038 30
120737	.29	120824	24-25	120927 35	121019 38	K 3206 31-32
120738	.29	120826	24-25-26B-36	120928 32	121020 38	K 3558 26
120739	.29	120827	24-25-26B	120930 32			K 3686 28
120740	.29	120828	.10	120931 32			K 3913 28
120741	.30	120829	.25	120933 33			K 4324 28-34
120742	.30	120830	.24	120934 33			K 4511 4-26
120743	.30	120831	24-25-26B	120935 33			K 4554 26B
120744	.30	120832	24-25-26B	120936 23			K 4587 23
120745	.30	120833	24-25-26B	120937 23			K 4873 5
120746	.28	120834	.25	120938 23			K 4888 34
120747	.28	120835	.24	120939 23			K 4914 38
120748	.30	120836	24-25-26B					K 4931 34-35
120754	.8	120837	24-25-26B						
120763	.21	120838	.25						
120764	.21	120839	.24						

