



***Elec-Trak***

**REMANUFACTURED MOTOR MANUAL**

**PARTS AND PRICE LIST**

**BARRETT ELECTRIC SERVICE INC.**

**112 HENRY STREET  
SCHENECTADY, NEW YORK 12304  
AREA CODE 518-374-4416**

**55 YEARS OF SERVICE TO INDUSTRY**

# INTRODUCTION

For more than 55 years BARRETT ELECTRIC SERVICE, INC. has been serving the needs of industries as a distributor of electric motors and related components. Equally as much emphasis has been placed on the service needs of our customers by our supportive service plant operation. Through this network we have developed the **ELEC-TRAK REBUILT MOTOR PROGRAM.**

We sincerely hope the information contained in this manual will help you in selecting the motors and motor parts for your required applications.



## CONDITIONS OF SALE

1. TERMS—All orders will be shipped on a C.O.D. basis, unless credit terms have been established. Open account terms are NET 30 DAYS.
2. MINIMUM CHARGE on any order is \$15.00 (Net Value) Orders totaling less than \$15.00 will be shipped C.O.D.
3. CORE CHARGE—All applicable items will reflect the core charge on initial invoicing.
4. CORE CREDIT—Credit will be given upon receipt of complete units only, or as indicated in the price list.
5. PRICES SUBJECT TO CHANGE WITHOUT NOTICE.
6. FREIGHT POLICY—All orders totaling \$500.00 (Net Value) or more will be shipped PREPAID to one destination in Continental U.S.A. We reserve the right to ship in the most economical way and to make complete shipment where maximum discount and freight allowance apply. "Add to" orders cannot be applied against orders already placed and will be considered as a new order. Return shipment of CORE UNITS must be PREPAID. Freight charges will then be REIMBURSED upon receipt of the CORE UNITS. BARRETT ELECTRIC SERVICE, INC. reserves the right to select the freight carrier.
7. No merchandise will be accepted for return without written permission.
8. Possession of this price list does not constitute an offer to sell.

## REMANUFACTURED MOTOR WARRANTY

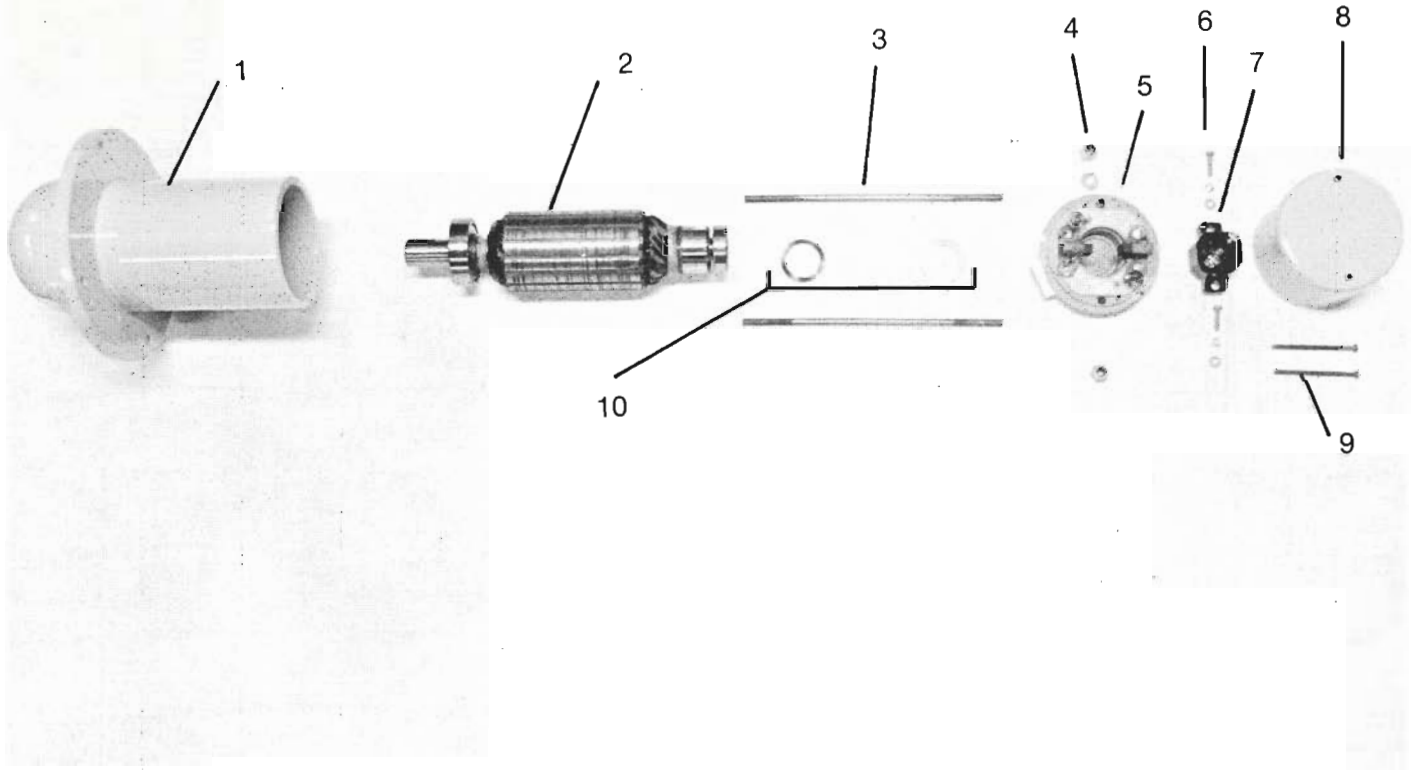
BARRETT ELECTRIC SERVICE, INC. warrants each product to be free from defects in material and workmanship under normal use and service for a period of 90 days from date of installation.

This warranty does not apply to any product which has been subject to misuse, negligence, accident, incorrect wiring, or improper installation.

# TABLE OF CONTENTS

	Page
Mower Motors .....	1-6
ER 8-36 Drive Motor .....	7
E 8, E 8M, E 8HM Drive Motor .....	8
E 10, E 10M Drive Motor .....	9
E 12, E 12M, E 14 Drive Motor (Later Version) .....	10
E 12, E 12M Drive Motor (Early Version) .....	11
E 15, E 16 Drive Motor .....	12
E 20, I-2, I-5 Drive Motor .....	13
AD 42 AA, AD 42 BA, AD 38 AA, Snow Thrower Motor ..	14

## 2100 SERIES MOWER MOTOR



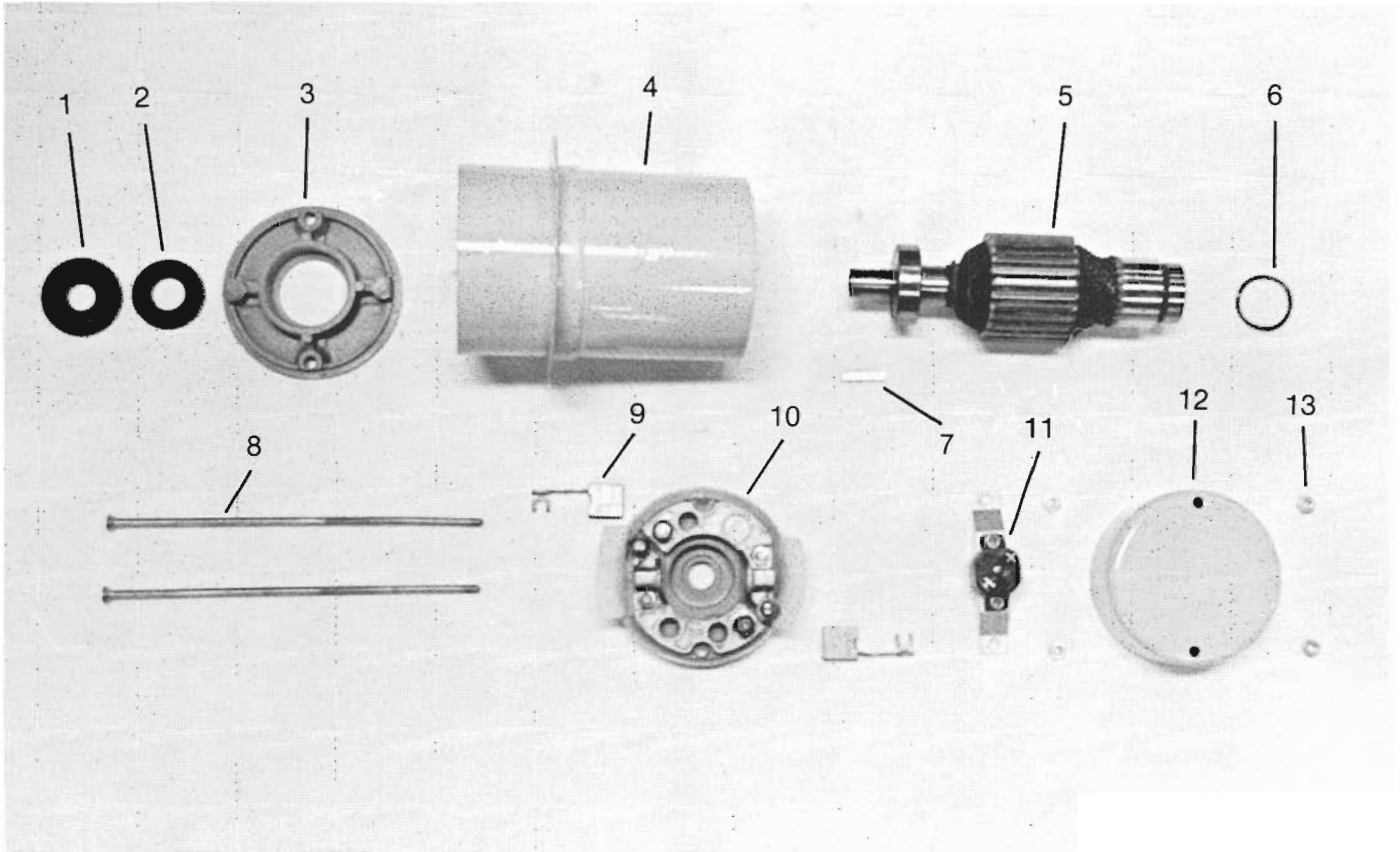
STATOR DIMENSION:  $3\frac{5}{16}'' \times 7\frac{3}{16}''$

Ref. No.	Part No.	Description	Ref. No.	Part No.	Description
	2101	Rebuilt Motor			
1	2103	Stator Assembly	6	2113	Screw, Circuit Breaker (Pr.)
2	2102	Armature w/bearings	7	2112	Circuit Breaker
3	2104	Tie Bolt (Pr.)	8	2110	Cover
4	2105	Tie Bolt Nut (Pr.)	9	2111	Screw, Cover (Pr.)
5	2109	Commutator End Shield Assembly [Includes Brushes]	10	2114	End Play Kit

### Available Parts Not Shown Separately

- 2106 Brush (Pr.)
- 2107 Bearing, Commutator End
- 2108 Bearing, Drive End

## 1100 SERIES MOWER MOTOR



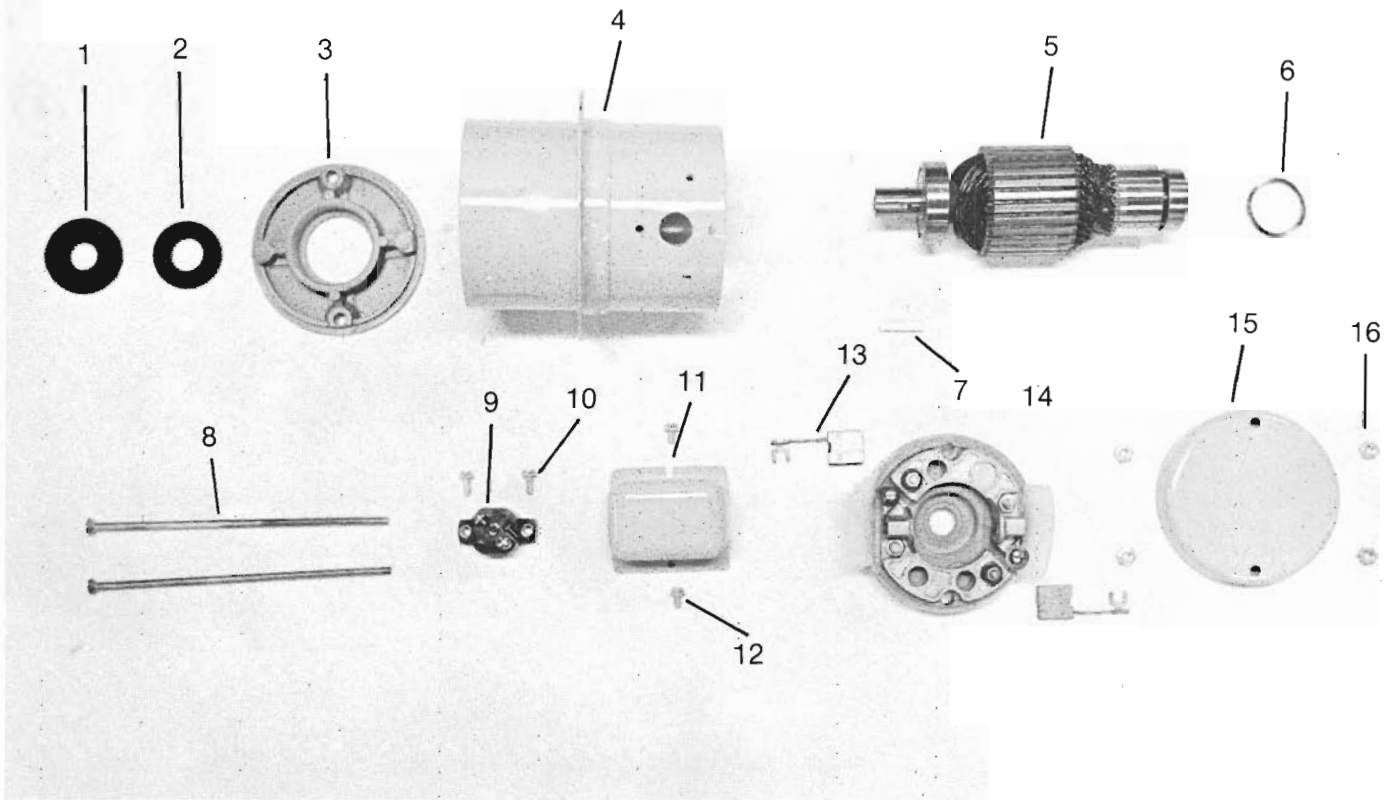
**NOTE**—BEFORE ORDERING PARTS MEASURE STATOR DIMENSIONS.  
DIAMETER, 4½"; LENGTH 6¾"

Ref. No.	Part No.	Description	Ref. No.	Part No.	Description
	1101	Rebuilt Motor			
1	1021	Slinger Washer	8	1104	Tie Bolt (Pr.)
2	1020	Moisture Seal	9	1006	Brush (Pr.)
3	1011	Drive End Shield	10	1009	Commutator End Shield Assembly
4	1103	Stator Assembly	11	1016	Circuit Breaker
5	1102	Armature w/bearings	12	1012	Cover
6	1019	Load Spring	13	1005	Nut (Pr.)
7	1022	Woodruff Key			

### Available Parts Not Shown Separately

1007	Bearing, Commutator End
1008	Bearing, Drive End

## 1200 SERIES MOWER MOTOR



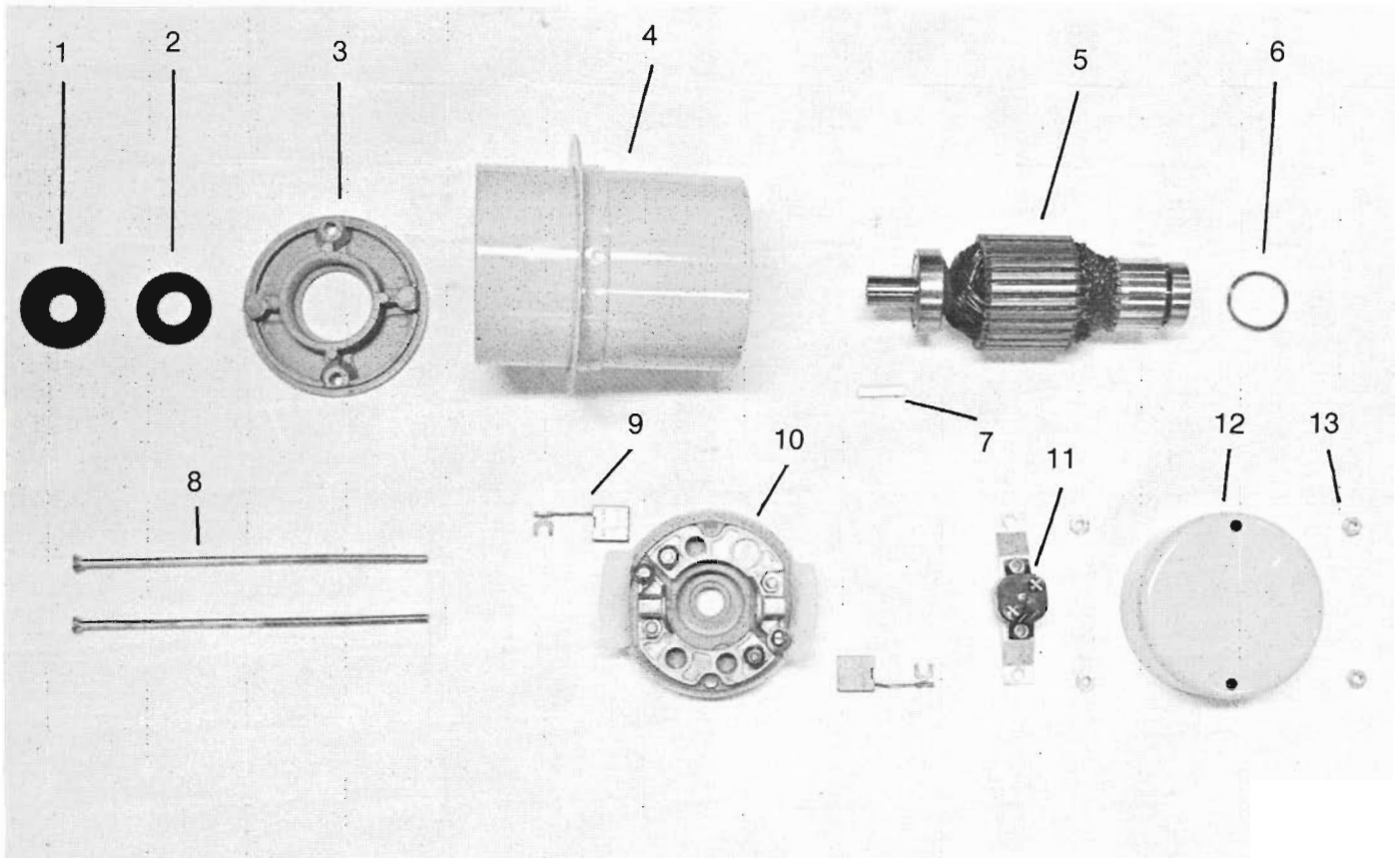
**NOTE**—BEFORE ORDERING PARTS MEASURE STATOR DIMENSIONS.  
DIAMETER, 4½"; LENGTH 5⅞"

Ref. No.	Part No.	Description	Ref. No.	Part No.	Description
	1201	Rebuilt Motor			
1	1021	Slinger Washer	9	1017	Circuit Breaker
2	1020	Moisture Seal	10	1018	Screw, Circuit Breaker (Pr.)
3	1011	Drive End Shield	11	1014	Cover, Circuit Breaker
4	1203	Stator Assembly	12	1015	Screw, Cover (Pr.)
5	1202	Armature w/bearings	13	1006	Brush (Pr.)
6	1019	Load Spring	14	1009	Commutator End Shield Assembly
7	1022	Woodruff Key	15	1013	Cover
8	1204	Tie Bolt (Pr.)	16	1005	Nut (Pr.)

### Available Parts Not Shown Separately

- 1007 Bearing, Commutator End
- 1008 Bearing, Drive End

## 1300 SERIES MOWER MOTOR



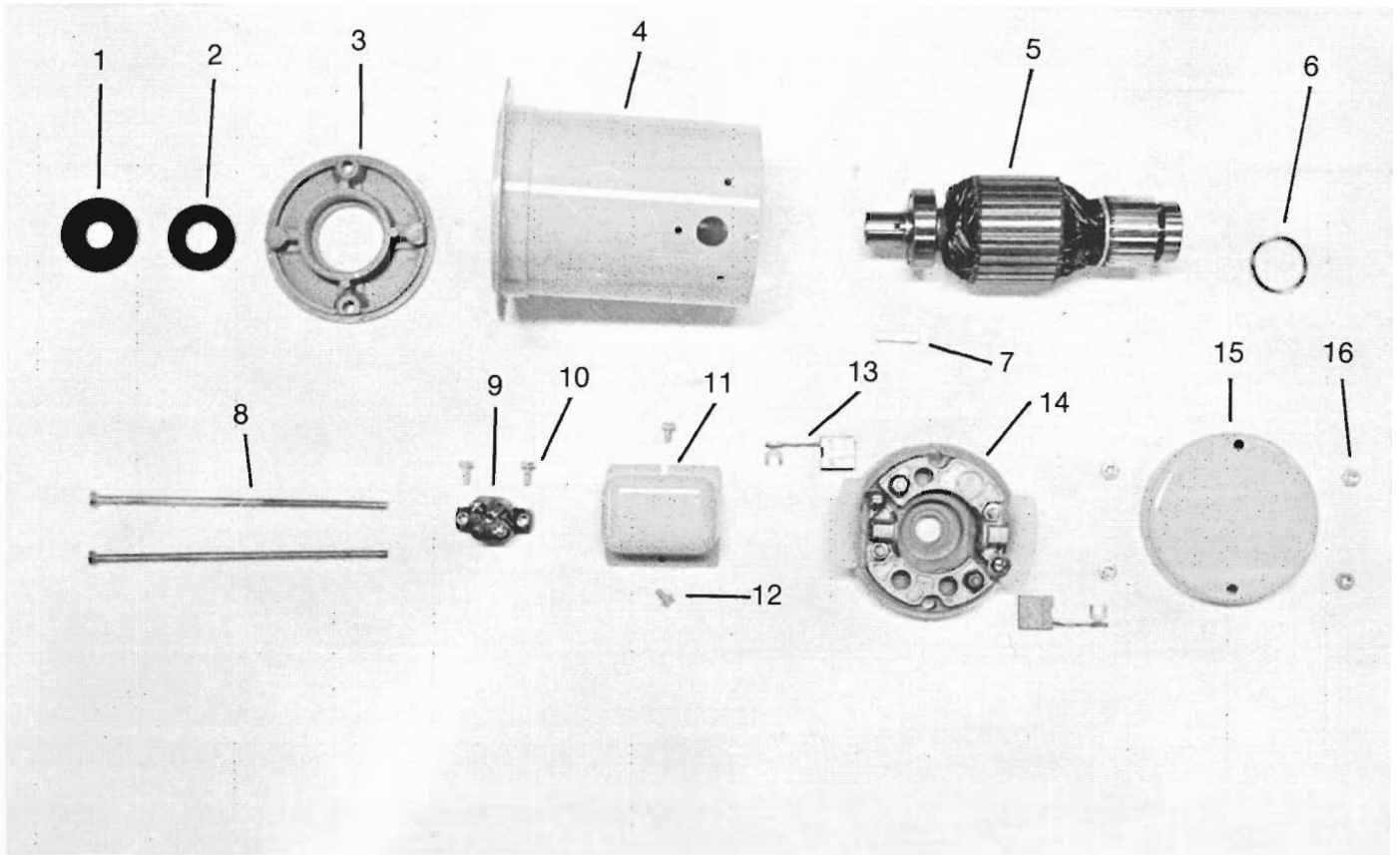
**NOTE**—BEFORE ORDERING PARTS MEASURE STATOR DIMENSIONS.  
DIAMETER, 4½"; LENGTH, 6"

Ref. No.	Part No.	Description	Ref. No.	Part No.	Description
	1301	Rebuilt Motor			
1	1021	Slinger Washer	8	1304	Tie Bolt (Pr.)
2	1020	Moisture Seal	9	1006	Brush (Pr.)
3	1011	Drive End Shield	10	1009	Commutator End Shield Assembly
4	1303	Stator Assembly	11	1016	Circuit Breaker
5	1202	Armature w/bearings	12	1012	Cover
6	1019	Load Spring	13	1005	Nut (Pr.)
7	1022	Woodruff Key			

### Available Parts Not Shown Separately

- 1007 Bearing, Commutator End
- 1008 Bearing, Drive End

## 1400 SERIES MOWER MOTOR



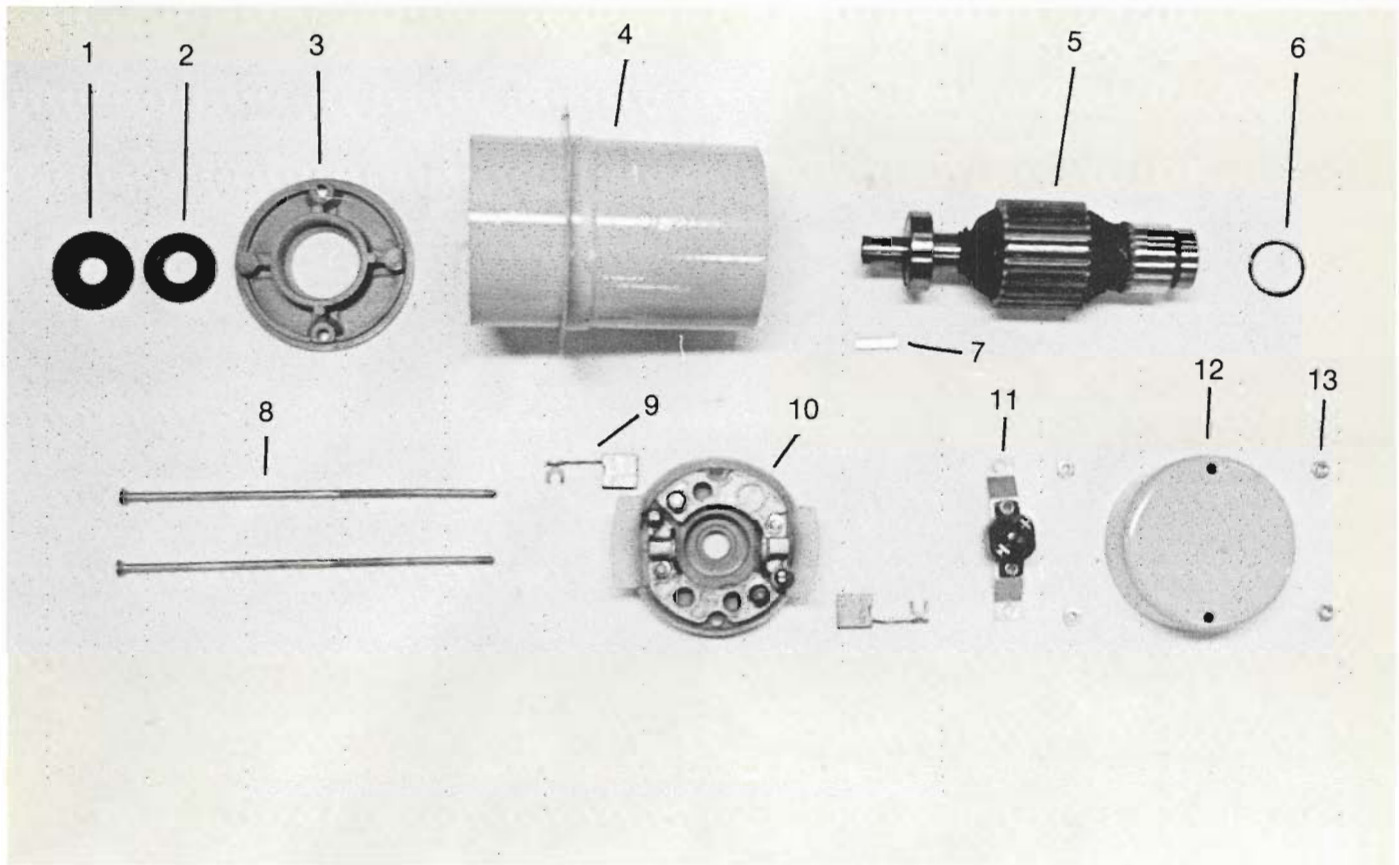
**NOTE**—BEFORE ORDERING PARTS MEASURE STATOR DIMENSIONS.  
DIAMETER, 4½"; LENGTH, 6¼"

Ref. No.	Part No.	Description	Ref. No.	Part No.	Description
	1401	Rebuilt Motor			
1	1021	Slinger Washer	9	1017	Circuit Breaker
2	1020	Moisture Seal	10	1018	Screw, Circuit Breaker (Pr.)
3	1011	Drive End Shield	11	1014	Cover, Circuit Breaker
4	1403	Stator Assembly	12	1015	Screw, Cover (Pr.)
5	1402	Armature w/bearings	13	1006	Brush (Pr.)
6	1019	Load Spring	14	1009	Commutator End Shield Assembly
7	1022	Woodruff Key	15	1013	Cover
8	1404	Tie Bolt (Pr.)	16	1005	Nut (Pr.)

### Available Parts Not Shown Separately

- 1007 Bearing, Commutator End
- 1008 Bearing, Drive End

## 1500 SERIES MOWER MOTOR



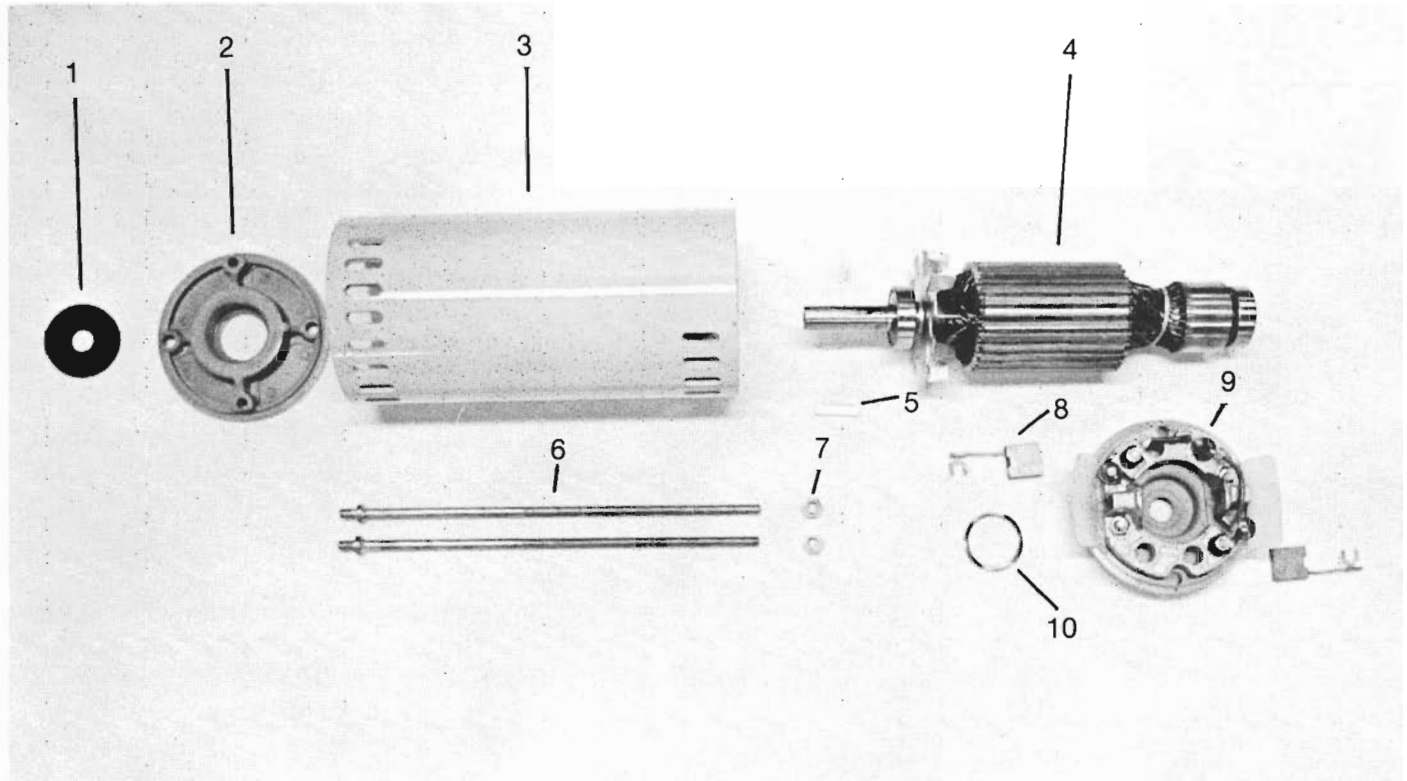
**NOTE**—BEFORE ORDERING PARTS MEASURE STATOR DIMENSIONS.  
DIAMETER, 4½"; LENGTH 10¾"

Ref. No.	Part No.	Description	Ref. No.	Part No.	Description
	1501	Rebuilt Motor			
1	1021	Slinger Washer	8	1504	Tie Bolt (Pr.)
2	1020	Moisture Seal	9	1006	Brush (Pr.)
3	1011	Drive End Shield	10	1009	Commutator End Shield Assembly
4	1503	Stator Assembly	11	1016	Circuit Breaker
5	1502	Armature w/bearings	12	1012	Cover
6	1019	Load Spring	13	1005	Nut (Pr.)
7	1022	Woodruff Key			

### Available Parts Not Shown Separately

- 1007 Bearing, Commutator End
- 1008 Bearing, Drive End

## 1600 SERIES ER 8-36 DRIVE MOTOR

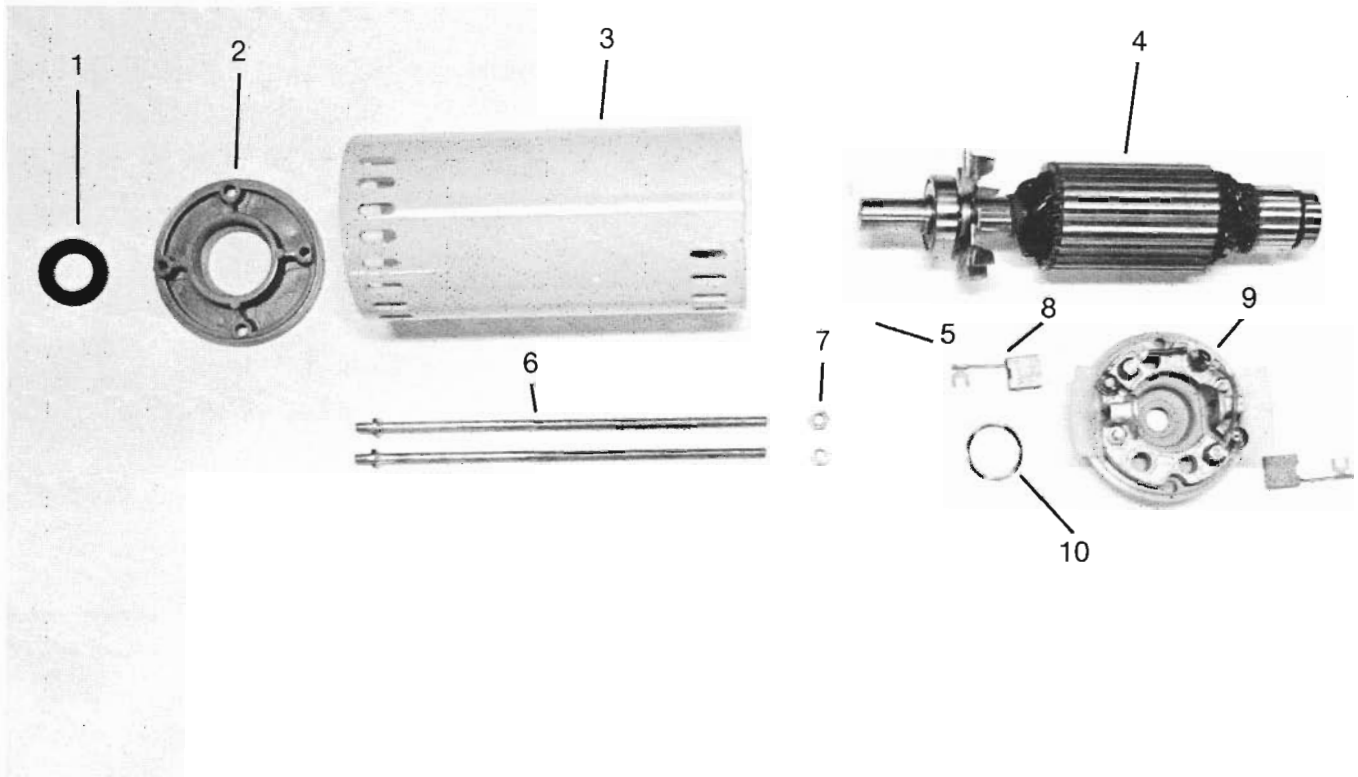


Ref. No.	Part No.	Description	Ref. No.	Part No.	Description
	1601	Rebuilt Motor			
1	1621	Slinger Washer	6	1604	Tie Bolt (Pr.)
2	1611	Drive End Shield	7	1605	Nut (Pr.)
3	1603	Stator Assembly	8	1006	Brush (Pr.)
4	1602	Armature w/bearings	9	1010	Commutator End Shield Assembly
5	1023	Woodruff Key	10	1019	Load Spring

### Available Parts Not Shown Separately

- 1007 Bearing, Commutator End
- 1008 Bearing, Drive End

# 1700 SERIES E 8, E 8M, E 8HM DRIVE MOTOR

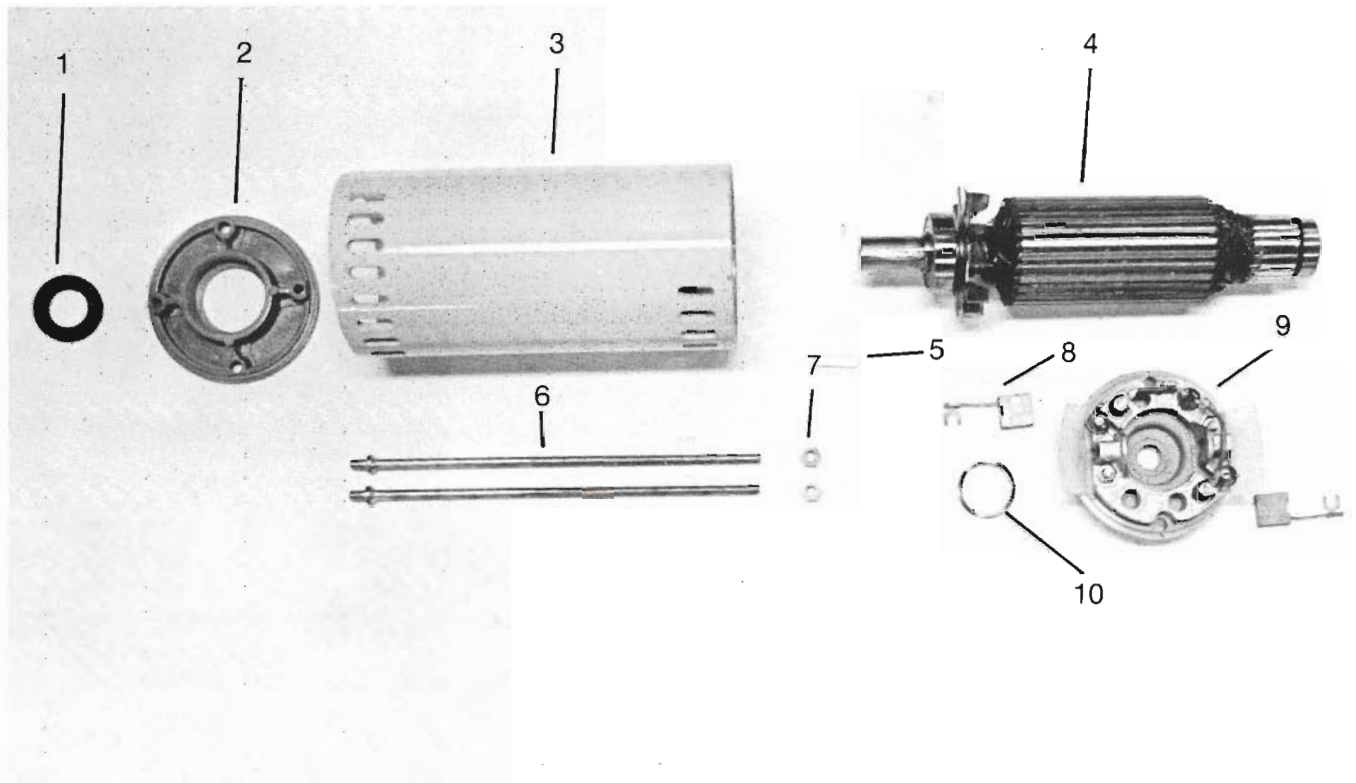


Ref. No.	Part No.	Description	Ref. No.	Part No.	Description
	1701	Rebuilt Motor			
1	1720	Moisture Seal	6	1704	Tie Bolt (Pr.)
2	1711	Drive End Shield	7	1605	Nut (Pr.)
3	1703	Stator Assembly	8	1006	Brush (Pr.)
4	1702	Armature w/bearings	9	1010	Commutator End Shield Assembly
5	1023	Woodruff Key	10	1019	Load Spring

### Available Parts Not Shown Separately

1007	Bearing, Commutator End
1008	Bearing, Drive End

# 1800 SERIES E 10, E 10M DRIVE MOTOR

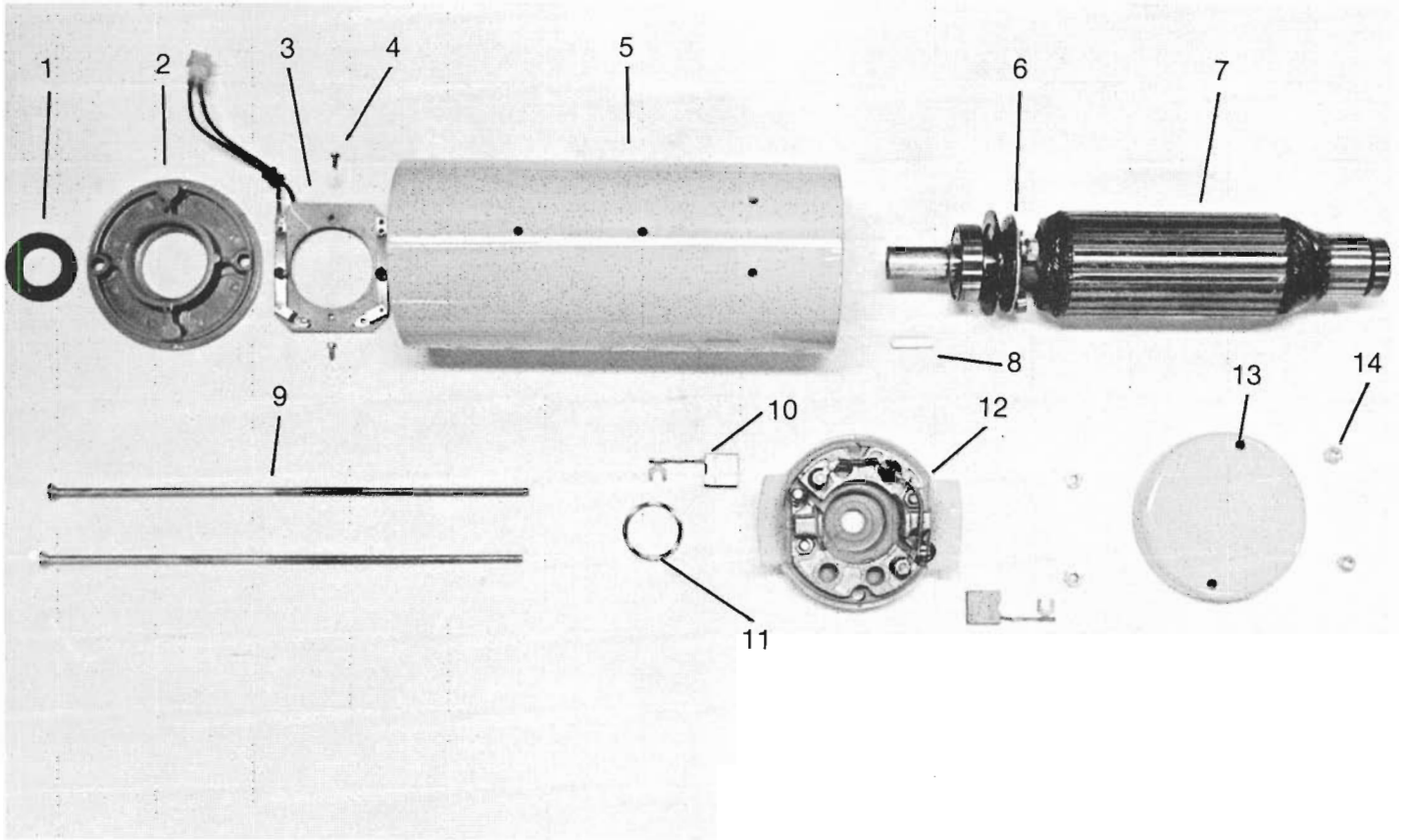


Ref. No.	Part No.	Description	Ref. No.	Part No.	Description
	1801	Rebuilt Motor			
1	1720	Moisture Seal	6	1704	Tie Bolt (Pr.)
2	1711	Drive End Shield	7	1605	Nut (Pr.)
3	1803	Stator Assembly	8	1006	Brush (Pr.)
4	1802	Armature w/bearings	9	1010	Commutator End Shield Assembly
5	1023	Woodruff Key	10	1019	Load Spring

**Available Parts Not Shown Separately**

- 1007 Bearing, Commutator End
- 1008 Bearing, Drive End

## 1900 SERIES E 12, E 12M, E 14 DRIVE MOTOR (LATER VERSION)

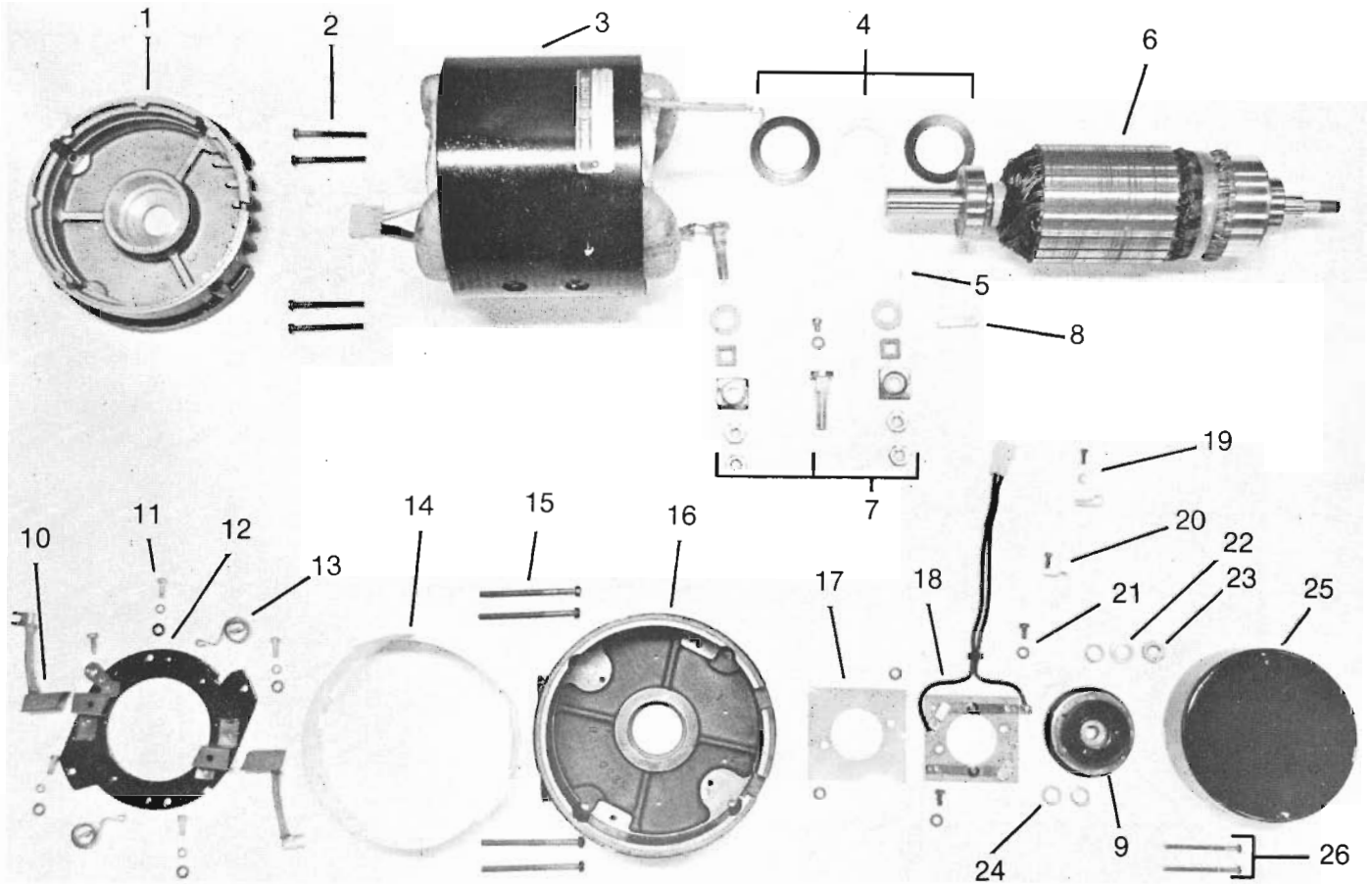


Ref. No.	Part No.	Description	Ref. No.	Part No.	Description
	1901	Rebuilt Motor			
1	1720	Moisture Seal	8	1023	Woodruff Key
2	1911	Drive End Shield	9	1904	Tie Bolt (Pr.)
3	1931	Contact Plate	10	1006	Brush (Pr.)
4	1932	Screw, Contact Plate (Pr.)	11	1019	Load Spring
5	1903	Stator Assembly	12	1010	Commutator End Shield Assembly
6	1930	Centrifugal Switch	13	1013	Cover
7	1902	Armature w/bearings	14	1005	Nut (Pr.)

**Available Parts Not Shown Separately**

- 1007 Bearing, Commutator End
- 1008 Bearing, Drive End

## 2200 SERIES E 12, E 12 M DRIVE MOTOR (EARLY VERSION)

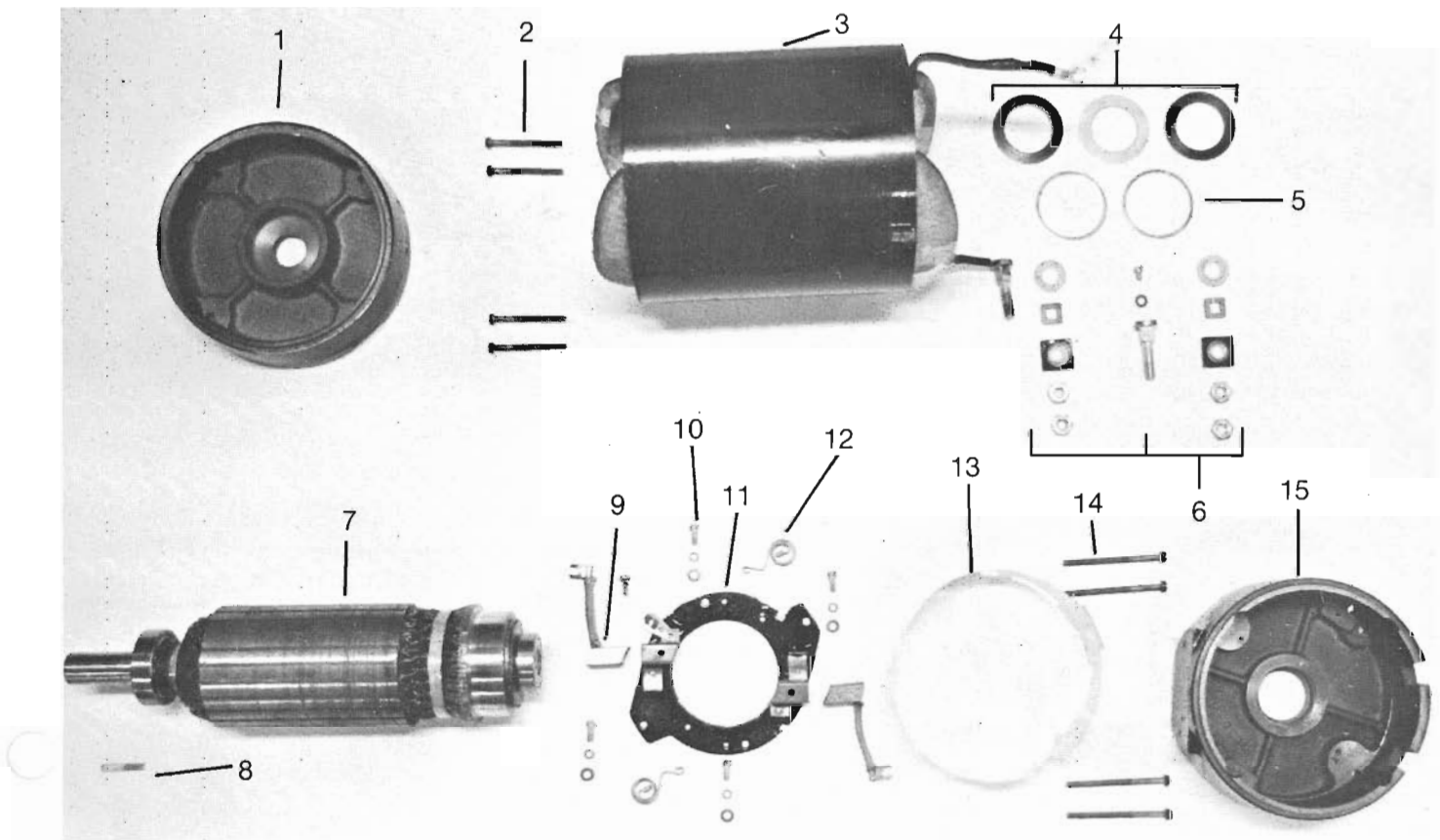


Ref. No.	Part No.	Description	Ref. No.	Part No.	Description
	2201	Rebuilt Motor			
1	2211	Drive End Shield	14	2219	Insulator
2	2218	Screw, Drive End Shield (4)	15	2217	Screw, Commutator End Shield (4)
3	2203	Stator Assembly	16	2209	Commutator End Shield
4	2221	Load Washer (3)	17	2216	Insulator, Contact Plate
5	2222	Shim Washer (Pr.)	18	2212	Contact Plate
6	2202	Armature w/bearings	19	2213	Harness Holder
7	2226	Terminal Bolt Assembly	20	2214	Harness Clamp
8	2228	Woodruff Key	21	2215	Contact Plate Hardware
9	2205	Centrifugal Switch	22	2224	Lock Washer
10	2206	Brush (Pr.)	23	2210	Nut
11	2223	Screw, Brush Holder (4)	24	2225	Flat Washer (3)
12	2220	Brush Holder and Yoke Assembly	25	2227	Cover
13	2229	Brush Spring (Pr.)	26	2204	Screw, Centrifugal Switch Cover (Pr.)

### Available Parts Not Shown Separately

1007	Bearing, Commutator End
1008	Bearing, Drive End

## 2300 SERIES E 15, E 16 DRIVE MOTOR

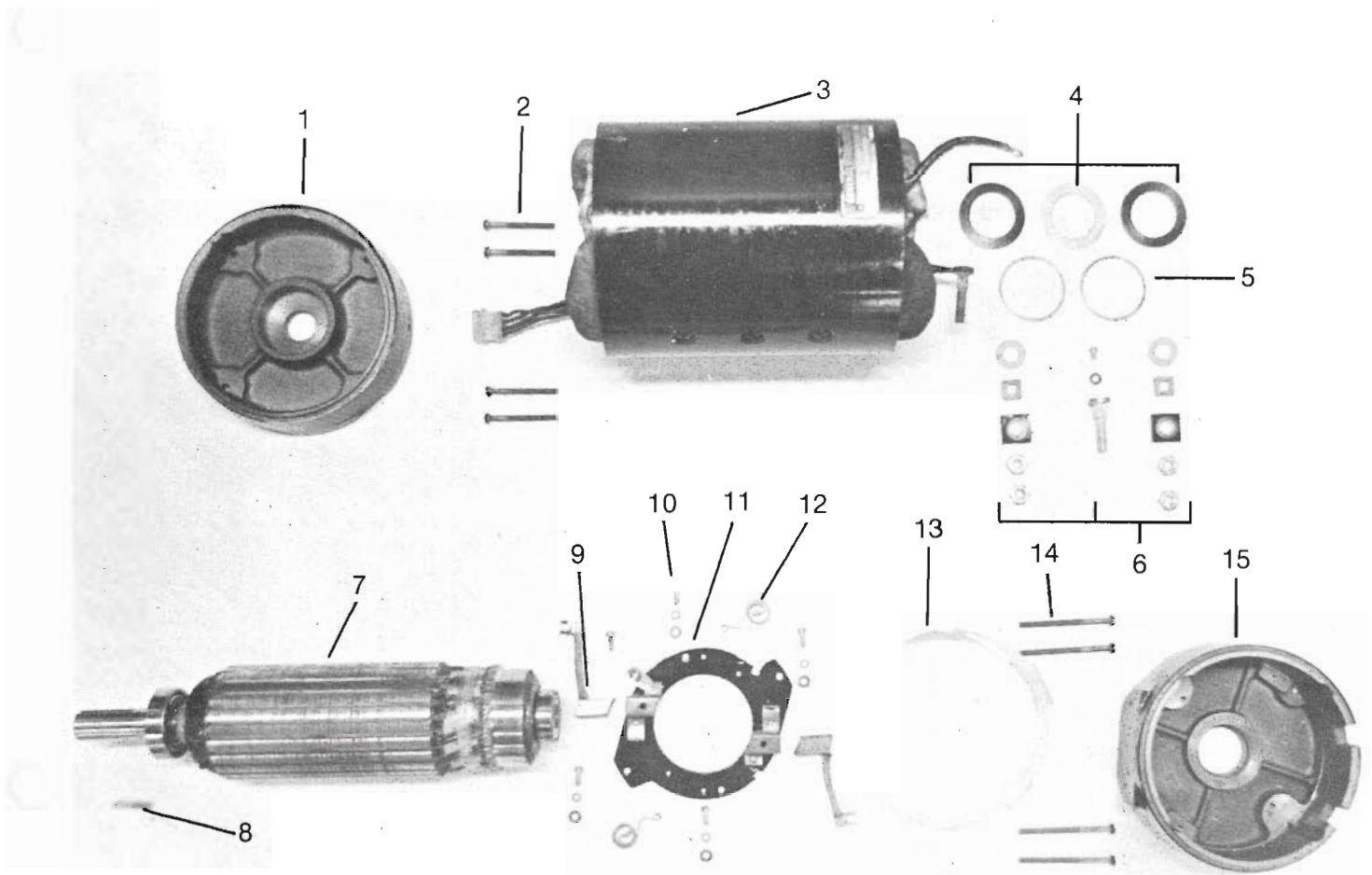


Ref. No.	Part No.	Description	Ref. No.	Part No.	Description
	2301	Rebuilt Motor	8	2228	Woodruff Key
1	2311	Drive End Shield	9	2206	Brush (Pr.)
2	2218	Screw, Drive End Shield (4)	10	2223	Screw, Brush Holder (4)
3	2303	Stator Assembly	11	2220	Brush Holder and Yoke Assembly
4	2221	Load Washer (3)	12	2229	Brush Spring (Pr.)
5	2222	Shim Washer (Pr.)	13	2219	Insulator
6	2226	Terminal Bolt Assembly	14	2217	Screw, Commutator End Shield (4)
7	2302	Armature w/bearings	15	2309	Commutator End Shield

### Available Parts Not Shown Separately

1007	Bearing, Commutator End
1008	Bearing, Drive End
2310	Circuit Breaker
2312	Screws, Circuit Breaker (Pr.)

## 2400 SERIES E20, I-2, I-5 DRIVE MOTOR

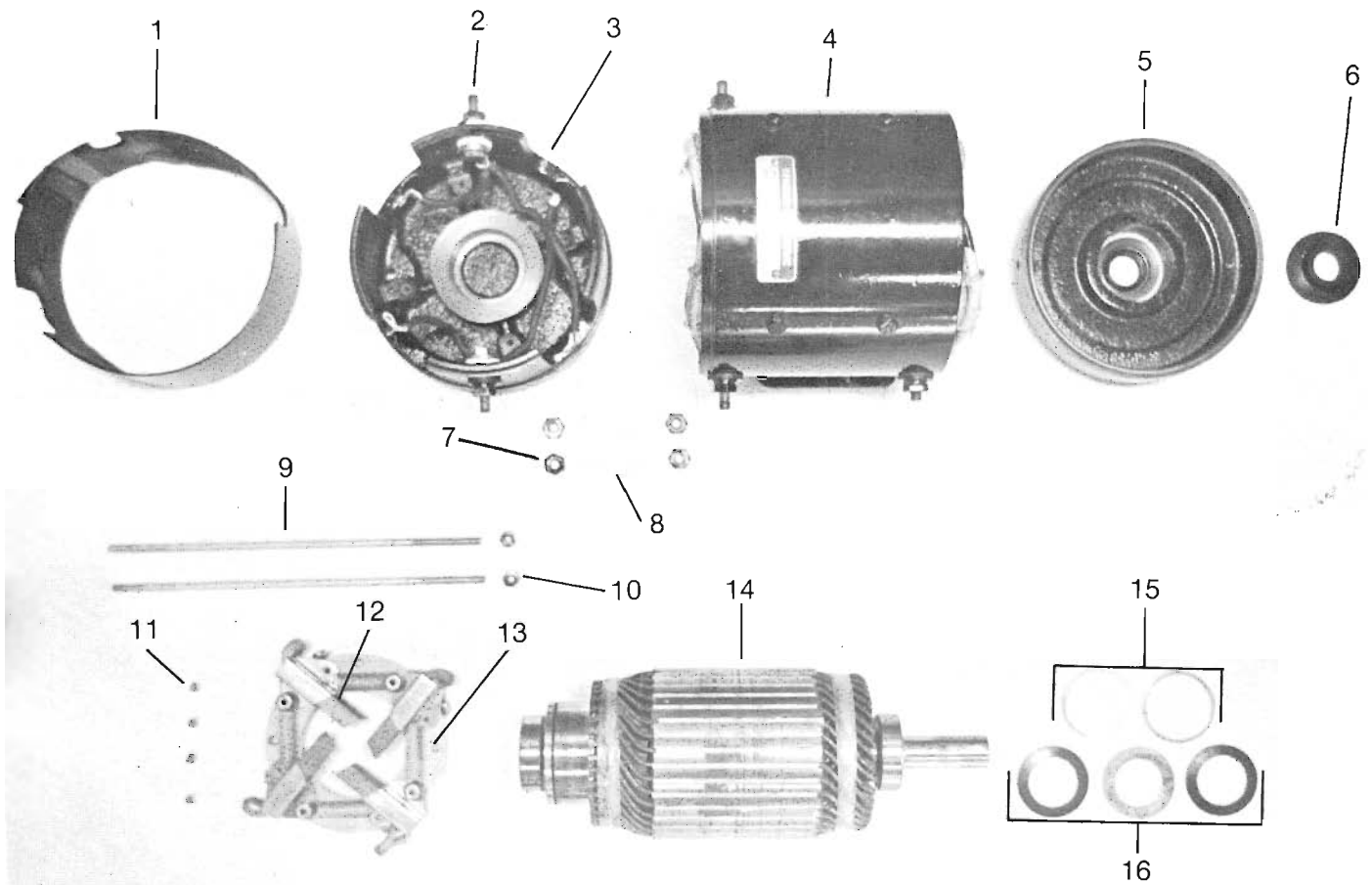


Ref. No.	Part No.	Description	Ref. No.	Part No.	Description
	2401	Rebuilt Motor	8	2228	Woodruff Key
1	2311	Drive End Shield	9	2206	Brush (Pr.)
2	2218	Screw, Drive End Shield (4)	10	2223	Screw, Brush Holder (4)
3	2403	Stator Assembly	11	2220	Brush Holder and Yoke Assembly
4	2221	Load Washer (3)	12	2229	Brush Spring (Pr.)
5	2222	Shim Washer (Pr.)	13	2219	Insulator
6	2226	Terminal Bolt Assembly	14	2217	Screw, Commutator End Shield (4)
7	2402	Armature w/bearings	15	2309	Commutator End Shield

### Available Parts Not Shown Separately

- 1007 Bearing, Commutator End
- 1008 Bearing, Drive End
- 2312 Screws, Circuit Breaker
- 2410 Circuit Breaker

## 3000 SERIES AD 42 AA, AD 42 BA, AD 38 AA SNOW THROWER MOTOR



Ref. No.	Part No.	Description	Ref. No.	Part No.	Description
	3001	Rebuilt Motor			
1	3010	Protector Band	9	3004	Tie Bolt (Pr.)
2	3014	Terminal Bolt Assy. (Pr.)	10	3005	Nut, Tie Bolt (Pr.)
3	3009	Commutator End Shield	11	3023	Screw, Brush Holder (4)
4	3003	Stator Assembly	12	3006	Brush (4)
5	3011	Drive End Shield	13	3020	Brush Holder, & Yoke Assy.
6	3012	Moisture Seal	14	3002	Armature with Bearings
7	3015	Nut, Terminal Bolt (Pr.)	15	2222	Shim Washer (Pr.)
8	3013	Terminal Connector Bar (Pr.)	16	2221	Load Washer (3)

### Available Parts Not Shown Separately

- 1008 Bearing, Commutator End
- 1008 Bearing, Drive End

Part Number	Description	Suggested List Price	Dealer Net Price	Dealer Core Value
1005	Tie Bolt Nut	.20 pr.	.15 pr.	
1006	Brush	3.25	2.44	
1007	Bearing, Commutator End	4.70	3.53	
1008	Bearing, Drive End	8.86	6.65	
1009	Commutator End Shield Assy.	7.25	5.44	
1010	Commutator End Shield Assy. (with internal circuit breaker)	8.50	6.38	
1011	Drive End Shield	2.25	1.69	
1012	Cover	1.50	1.13	
1013	Cover	1.50	1.13	
1014	Cover, Circuit Breaker	1.10	.83	
1015	Screw, Circuit Breaker Cover	.15 pr.	.11 pr.	
1016	Circuit Breaker (top)	4.50	3.38	
1017	Circuit Breaker (side)	4.00	3.00	
1018	Screw, Circuit Breaker	.15 pr.	.11 pr.	
1019	Load Spring	.15	.11	
1020	Moisture Seal	.27	.20	
1021	Slinger Washer	.30	.23	
1022	Woodruff Key	.25	.19	
1023	Woodruff Key	.25	.19	
1101	Rebuilt Motor	*55.00	*41.25	20.00
1102	Armature with Bearings	*41.25	*30.94	10.00
1103	Stator Assembly	20.50	15.38	
1104	Tie Bolt	1.10 pr.	.83 pr.	
1201	Rebuilt Motor	*55.00	*41.25	20.00
1202	Armature with Bearings	*41.25	*30.94	10.00
1203	Stator Assembly	20.50	15.38	
1204	Tie Bolt	.80 pr.	.60 pr.	
1301	Rebuilt Motor	*55.00	*41.25	20.00
1303	Stator Assembly	20.50	15.38	
1304	Tie Bolt	1.10 pr.	.83 pr.	
1401	Rebuilt Motor	*55.00	*41.25	20.00
1402	Armature with Bearings	*41.25	*30.94	10.00
1403	Stator Assembly	20.50	15.38	
1404	Tie Bolt	.80 pr.	.60 pr.	
1501	Rebuilt Motor	*80.00	*60.00	20.00
1502	Armature with Bearings	*60.00	*45.00	12.00
1503	Stator Assembly	24.00	18.00	
1504	Tie Bolt	1.10 pr.	.83 pr.	

**\*NOTE**—PRICE WITH EXCHANGE UNIT

Part Number	Description	Suggested List Price	Dealer Net Price	Dealer Core Value
1601	Rebuilt Motor	* 85.00	*63.75	30.00
1602	Armature with Bearings	* 63.75	*47.81	16.00
1603	Stator Assembly	30.00	22.50	
1604	Tie Bolt	2.00 pr.	1.50 pr.	
1605	Nut, Tie Bolt	.30 pr.	.23 pr.	
1611	Drive End Shield	3.00	2.25	
1621	Slinger Washer	.30	.23	
1701	Rebuilt Motor	* 85.00	* 63.75	30.00
1702	Armature with Bearings	* 63.75	* 47.81	16.00
1703	Stator Assembly	30.00	22.50	
1704	Tie Bolt	2.00 pr.	1.50 pr.	
1711	Drive End Shield	3.00	2.25	
1720	Moisture Seal	.50	.38	
1801	Rebuilt Motor	* 90.00	*67.50	30.00
1802	Armature with Bearings	* 67.50	*50.63	20.00
1803	Stator Assembly	30.00	22.50	
1901	Rebuilt Motor	*125.00	* 93.75	45.00
1902	Armature with Bearings and Switch	* 93.75	* 70.31	25.00
1903	Stator Assembly	40.00	30.00	
1904	Tie Bolt	2.00 pr.	1.50 pr.	
1911	Drive End Shield	3.00	2.25	
1930	Centrifugal Switch	22.00	16.50	
1931	Contact Plate	10.00	7.50	
1932	Screw, Contact Plate	.30 pr.	.22 pr.	
2101	Rebuilt Motor	* 80.00	*60.00	15.00
2102	Armature with Bearings	* 53.50	* 40.12	7.50
2103	Stator Assembly	18.75	14.06	
2104	Tie Bolt	.50 pr.	.38 pr.	
2105	Nut, Tie Bolt	.24 pr.	.20 pr.	
2106	Brush	3.00 pr.	2.25 pr.	
2107	Bearing, Commutator End	5.18	3.89	
2108	Bearing, Drive End	5.40	4.05	
2109	Commutator End Shield Assy. (with Brushes)	5.70	4.28	
2110	Cover	.85	.61	
2111	Screw, Cover	.30 pr.	.23 pr.	
2112	Circuit Breaker	4.00	3.00	
2113	Screw, Circuit Breaker	.20 pr.	.15 pr.	
2114	End Play Kit	.50	.38	

**\* NOTE—PRICE WITH EXCHANGE UNIT**

Part Number	Description	Suggested List Price	Dealer Net Price	Dealer Core Value
2201	Rebuilt Motor	*150.00	*112.50	75.00
2202	Armature with Bearings	*75.00	*56.25	30.00
2203	Stator Assembly	*70.00	*52.50	30.00
2204	Screw, Centrifugal Switch Cover	.30 pr.	.23 pr.	
2205	Centrifugal Switch	25.00	18.75	
2206	Brush	9.00 pr.	6.75 pr.	
2209	Commutator End Shield	12.00	9.00	
2210	Nut	.25	.19	
2211	Drive End Shield	10.80	8.10	
2212	Contact Plate	12.00	9.00	
2213	Harness Holder, Contact Plate	.10	.08	
2214	Harness Clamp, Contact Plate	.30	.23	
2215	Contact Plate Hardware	.30	.23	
2216	Insulator, Contact Plate	.19	.19	
2217	Screw, Commutator End Shield (4)	.60 set	.45 set	
2218	Screw, Drive End Shield (4)	.50 set	.38 set	
2219	Insulator, Commutator End Shield	.75	.56	
2220	Brush Holder and Yoke Assembly	40.00	32.50	
2221	Load Washer (3)	1.05 set	.79 set	
2222	Shim Washer	.50 pr.	.38 pr.	
2223	Screw, Brush Holder (4)	.60 set	.45 set	
2224	Lock Washer	.15	.11	
2225	Flat Washer (3)	.25 set	.19 set	
2226	Terminal Bolt Assembly	3.50	2.63	
2227	Cover, Centrifugal Switch	3.00	2.25	
2228	Woodruff Key	.35	.26	
2229	Brush Spring	1.00 pr.	.75 pr.	
2301	Rebuilt Motor	*170.00	*127.50	90.00
2302	Armature with Bearings	*107.00	*80.25	35.00
2303	Stator Assembly	*67.00	*50.25	35.00
2309	Commutator End Shield	12.00	9.00	
2310	Circuit Breaker	14.90	11.18	
2311	Drive End Shield	10.00	7.50	
2312	Screw, Circuit Breaker	.40 pr.	.30 pr.	
2401	Rebuilt Motor	*250.00	*187.50	125.00
2402	Armature with Bearings	*145.00	*108.75	60.00
2403	Stator Assembly	*94.00	*70.50	35.00
2410	Circuit Breaker	16.50	12.38	

**\* NOTE—PRICE WITH EXCHANGE UNIT**

Part Number	Description	Suggested List Price	Dealer Net Price	Dealer Core Value
3001	Rebuilt Motor	*280.00	*210.00	140.00
3002	Armature with Bearings	*176.40	*132.30	75.00
3003	Stator Assembly	*109.20	*81.90	40.00
3004	Tie Bolt	2.50 pr.	1.88 pr.	
3005	Nut, Tie Bolt	.15 pr.	.11 pr.	
3006	Brush (Set of 4)	30.00 set	22.50 set	
3009	Commutator End Shield	18.00	13.50	
3010	Protector Band	5.45	4.09	
3011	Drive End Shield	10.30	7.73	
3012	Moisture Seal	.75	.56	
3013	Terminal Connector Bar	.15 pr.	.11 pr.	
3014	Terminal Bolt Assembly	3.75 pr.	2.81 pr.	
3015	Nut, Terminal Bolt	.25 pr.	.19 pr.	
3020	Brush Holder and Yoke Assembly	70.00	52.50	
3023	Screw, Brush Holder (Set of 4)	.60 set	.45 set	

\*NOTE—PRICE WITH EXCHANGE UNIT

