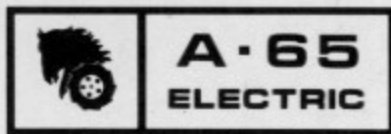


1975 PARTS MANUAL

for



FACTORY ORDER NO. 3-6000



WHEEL HORSE

lawn & garden tractors

Price \$1.00

FORM NO. 80397Z

803432

FACTORY ORDER NUMBERS

Factory order numbers and serial numbers are necessary to order parts. The serial number is on a plate attached to the driver's instruction plate. Motor numbers are on each motor. The transmission number is on the transmission.

TO ORDER PARTS

1. Enter factory order numbers and serial numbers.

Rider _____

Traction Motor _____

Transmission _____

2. Locate the desired part in the illustration and note its item number.
3. Locate the item number in the parts list. Order by both **part number** and **description**.

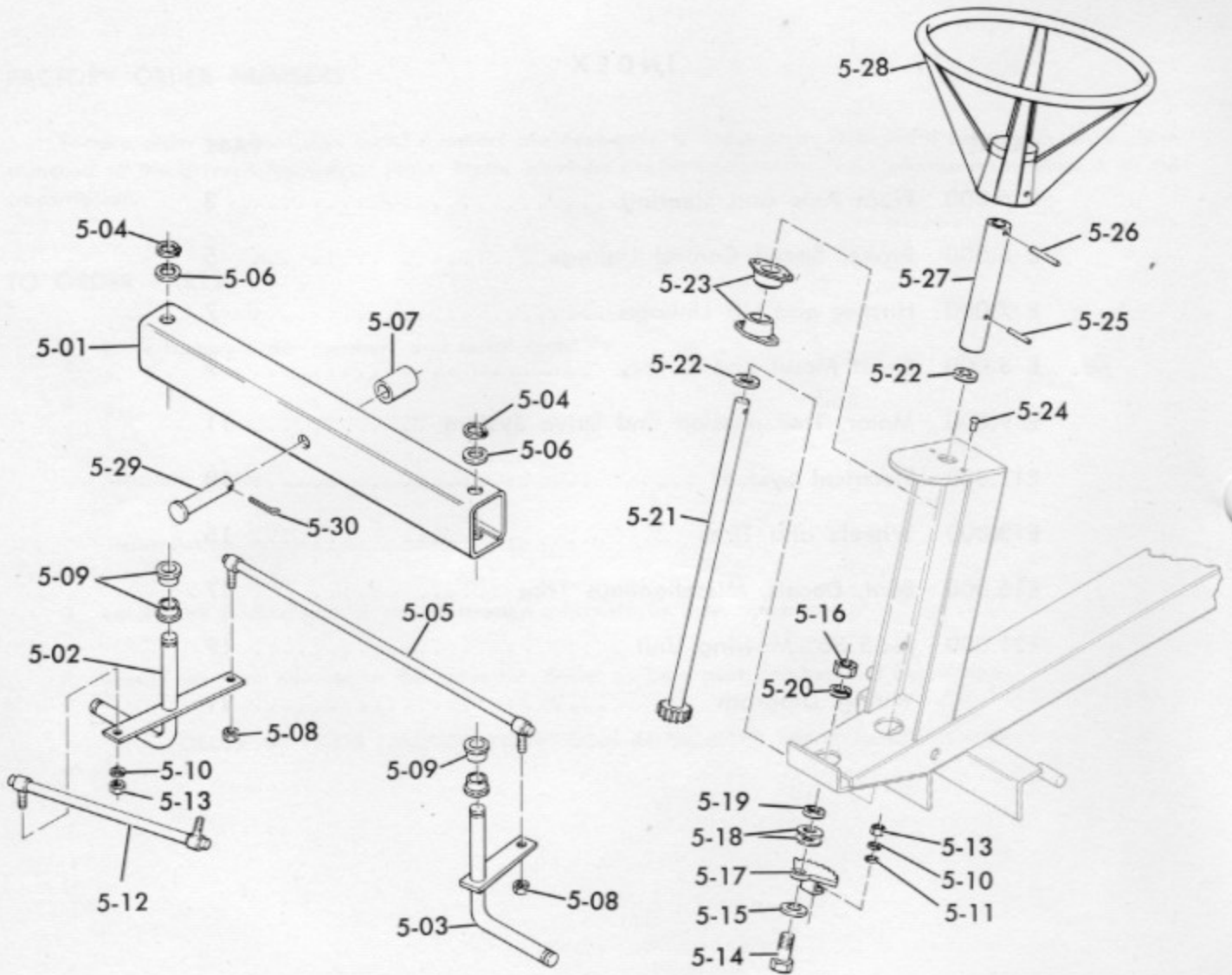
ORDER ALL PARTS THROUGH YOUR LOCAL AUTHORIZED WHEEL HORSE DEALER.

At the time of printing (2-75), product information and specifications, as shown, were correct. Wheel Horse Products, Inc. reserves the right to change product specifications, designs and standard equipment without notice and without incurring obligation.

INDEX

GROUP	PAGE
E 5.000 Front Axle and Steering	3
E 6.000 Brake, Speed Control Linkage	5
E 7.000 Hitches and Lift Linkage	7
E 8.000 Sheet Metal and Covers	9
E 9.000 Motor, Transmission and Drive System	11
E11.000 Electrical System	13
E13.000 Wheels and Tires	15
E15.000 Seat, Decals, Miscellaneous Trim	17
E21.000 A-65 36" Mowing Unit	19
Wiring Diagram	21

FIG. 5 FRONT AXLE AND STEERING

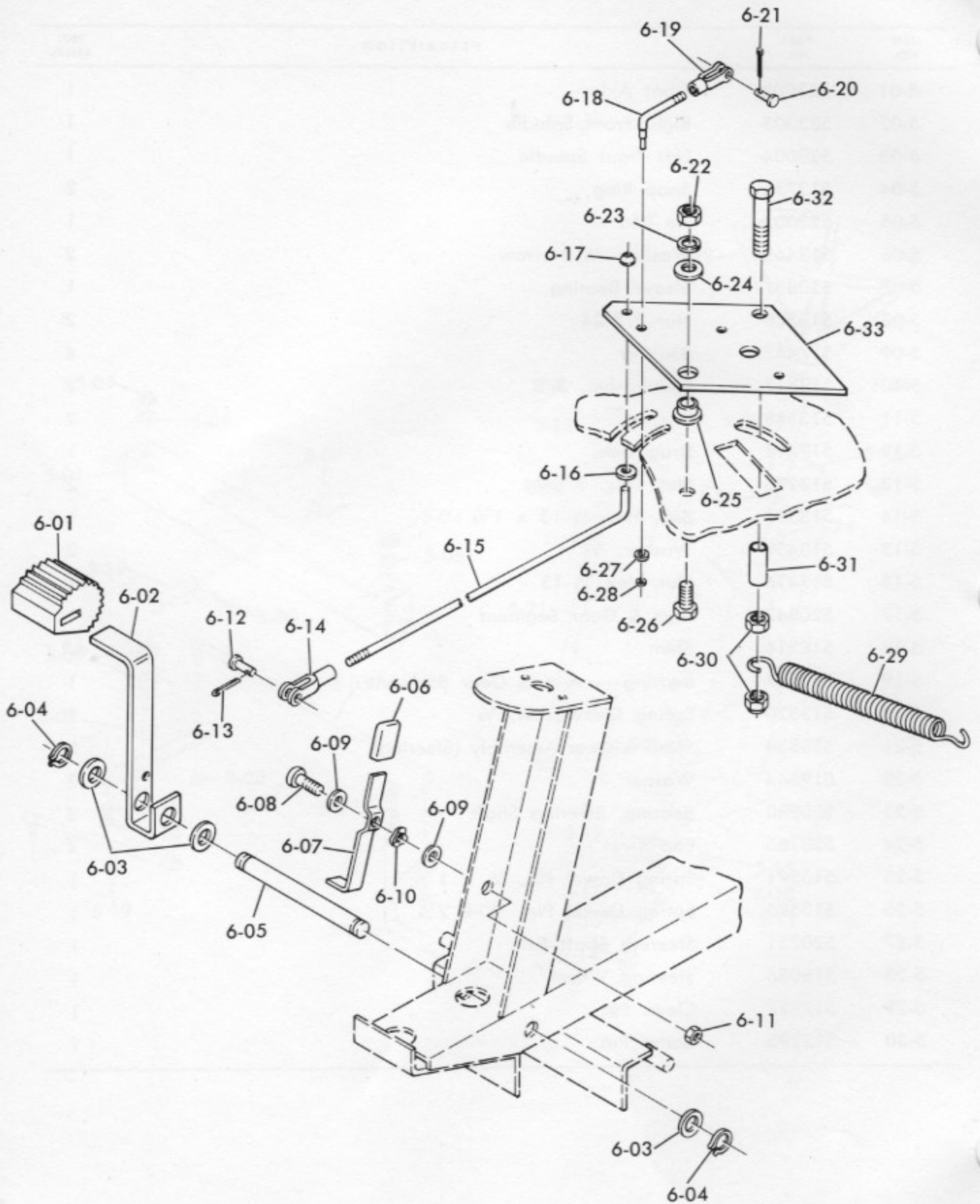


A-65 PARTS MANUAL

E5.000 FRONT AXLE AND STEERING (FIG. 5)

ITEM NO.	PART NO.	DESCRIPTION	NO. REQ'D.
5-01	523002	Front Axle	1
5-02	523003	Right Front Spindle	1
5-03	523004	Left Front Spindle	1
5-04	513756	Snap Ring	2
5-05	523007	Tie Rod	1
5-06	513462	Washer, $\frac{3}{4}$ Narrow	2
5-07	520837	Sleeve Bearing	1
5-08	513300	Nut 3/8-24	2
5-09	517447	Bearing	4
5-10	513517	Lockwasher, 3/8	2
5-11	513548	Washer	2
5-12	517211	Drag Link	1
5-13	513296	Nut, Hex, 3/8-24	2
5-14	513377	Bolt, Hex $\frac{1}{2}$ -13 x $1\frac{1}{2}$	1
5-15	513459	Washer, $\frac{1}{2}$	2
5-16	513416	Nut, Hex $\frac{1}{2}$ -13	1
5-17	520847	Arm & Gear Segment	1
5-18	518216	Shim	AR
5-19	520907	Bearing — Arm & Gear Segment	1
5-20	513520	Spring Lockwasher, $\frac{1}{2}$	1
5-21	520834	Shaft & Gear Assembly (Steering)	1
5-22	519544	Washer	2
5-23	520880	Bearing, Steering Shaft	2
5-24	520185	Pop Rivet	4
5-25	513591	Spring Dowel Pin, $\frac{1}{4}$ x 1	1
5-26	513595	Spring Dowel Pin, $\frac{1}{4}$ x $2\frac{1}{4}$	1
5-27	520751	Steering Shaft Ext.	1
5-28	515056	Steering Wheel	1
5-29	517727	Clevis Pin	1
5-30	513295	Cotter Pin	1

FIG. 6 BRAKE, SPEED CONTROL LINKAGE

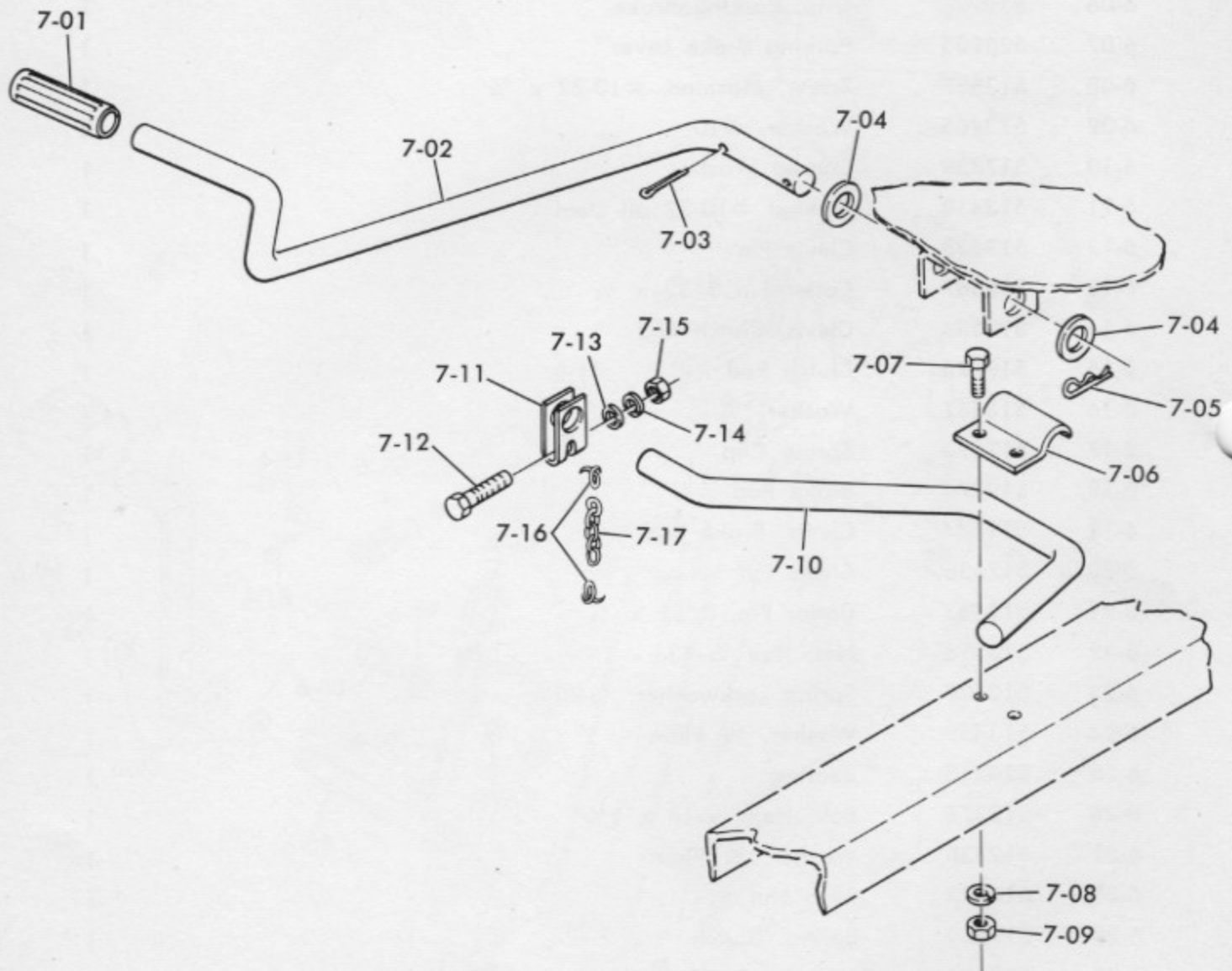


A-65 PARTS MANUAL

E6.000 BRAKE AND SPEED CONTROL (FIG. 6)

ITEM NO.	PART NO.	DESCRIPTION	NO. REQ'D.
6-01	520964	Pad, Brake Pedal	1
6-02	517239	Brake Pedal	1
6-03	513459	Washer, $\frac{1}{2}$	3
6-04	513754	Retaining Ring, $\frac{1}{2}$	3
6-05	520973	Pin, Brake Pedal	1
6-06	519927	Grip, Parking Brake	1
6-07	520905	Parking Brake Lever	1
6-08	513657	Screw, Machine, #10-32 x $\frac{3}{4}$	1
6-09	513465	Washer, #10	2
6-10	517828	Curved Washer	1
6-11	513418	Locknut #10-32 all steel	1
6-12	517638	Clevis Pin	1
6-13	513567	Cotter Pin $\frac{3}{32}$ x $\frac{3}{4}$	1
6-14	519334	Clevis, Clutch Rod	1
6-15	519275	Clutch Rod	1
6-16	513467	Washer, $\frac{1}{4}$	1
6-17	517592	Spring Clip	1
6-18	519274	Brake Rod	1
6-19	519344	Clevis, Brake Rod	1
6-20	517638	Clevis Pin	1
6-21	513567	Cotter Pin, $\frac{3}{32}$ x $\frac{3}{4}$	1
6-22	513416	Nut, Hex $\frac{1}{2}$ -13	1
6-23	513520	Spring Lockwasher, $\frac{1}{2}$	1
6-24	513459	Washer, $\frac{1}{2}$ Plain	1
6-25	520243	Bearing	1
6-26	513375	Bolt, Hex $\frac{1}{2}$ -13 x $1\frac{1}{4}$	1
6-27	519338	Washer, $\frac{1}{4}$ Plain	1
6-28	517592	Push Nut	1
6-29	519552	Spring, Clutch	1
6-30	513425	Locknut, $\frac{3}{8}$ -16 All Metal	2
6-31	518069	Spacer	1
6-32	513366	Bolt, Hex $\frac{3}{8}$ -16 x $2\frac{3}{4}$	1
6-33	521902	Plate, Motor	1

FIG. 7 HITCHES AND LIFT LINKAGE

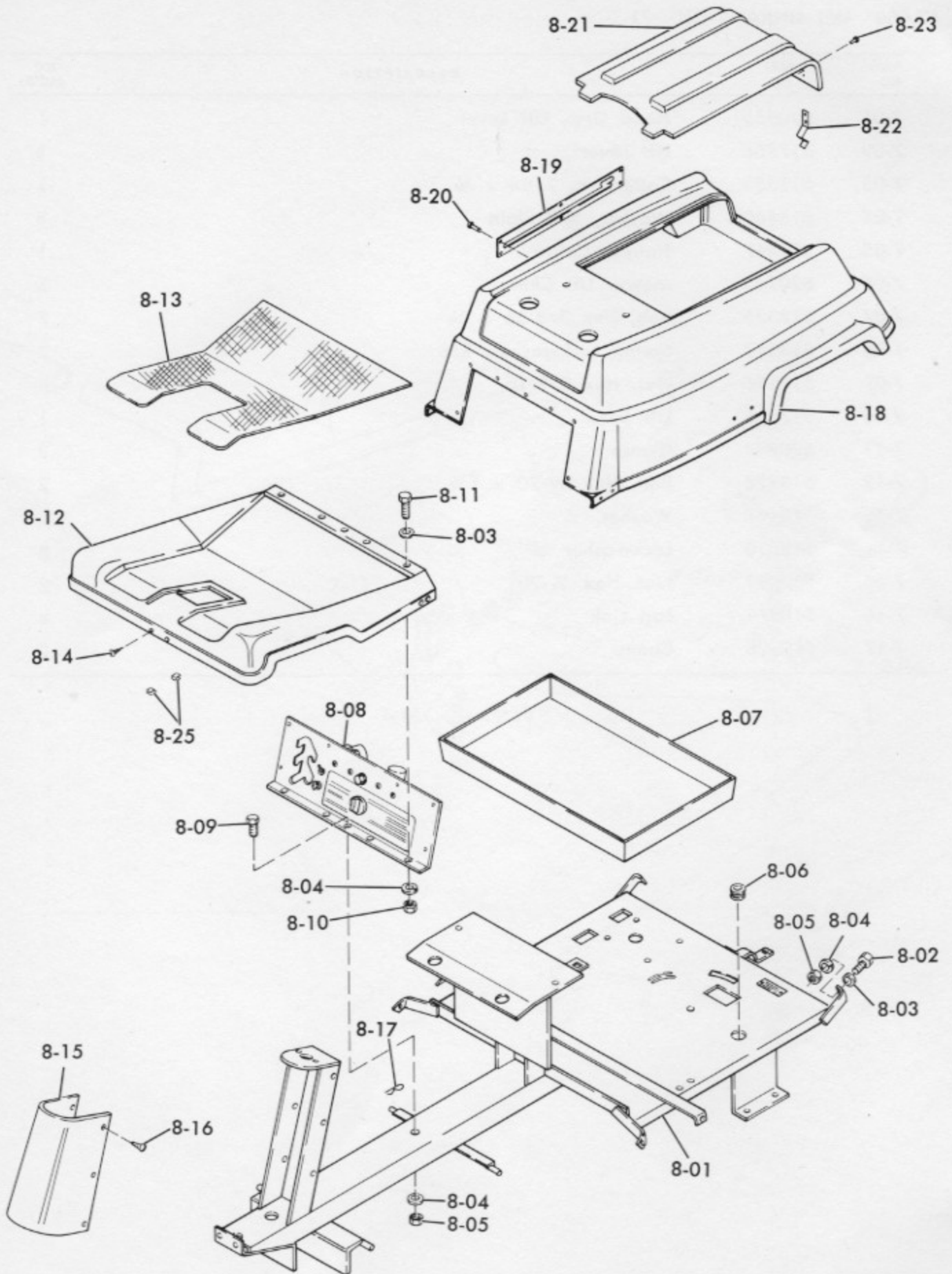


A-65 PARTS MANUAL

E7.000 LIFT LINKAGE (FIG. 7)

ITEM NO.	PART NO.	DESCRIPTION	NO. REQ'D.
7-01	520955	Hand Grip, Lift Lever	1
7-02	517266	Lift Lever	1
7-03	513553	Cotter Pin, 7/64 x 3/4	1
7-04	513460	Washer, 5/8 Plain	2
7-05	517467	Hairpin Cotter	1
7-06	520945	Mower Lift Clamp	1
7-07	513356	Bolt, Hex 3/8-16 x 3/4	2
7-08	513517	Spring Lockwasher, 3/8	2
7-09	513296	Nut, Hex 3/8-16	2
7-10	517265	Lift Bar	1
7-11	520954	Clamp	2
7-12	513325	Bolt, Hex 1/4-20 x 1 1/2	2
7-13	513467	Washer, 1/4	2
7-14	513510	Lockwasher 1/4	2
7-15	513291	Nut, Hex 1/4-20	2
7-16	518871	Lap Link	4
7-17	519328	Chain	2

FIG. 8 SHEET METAL AND COVERS

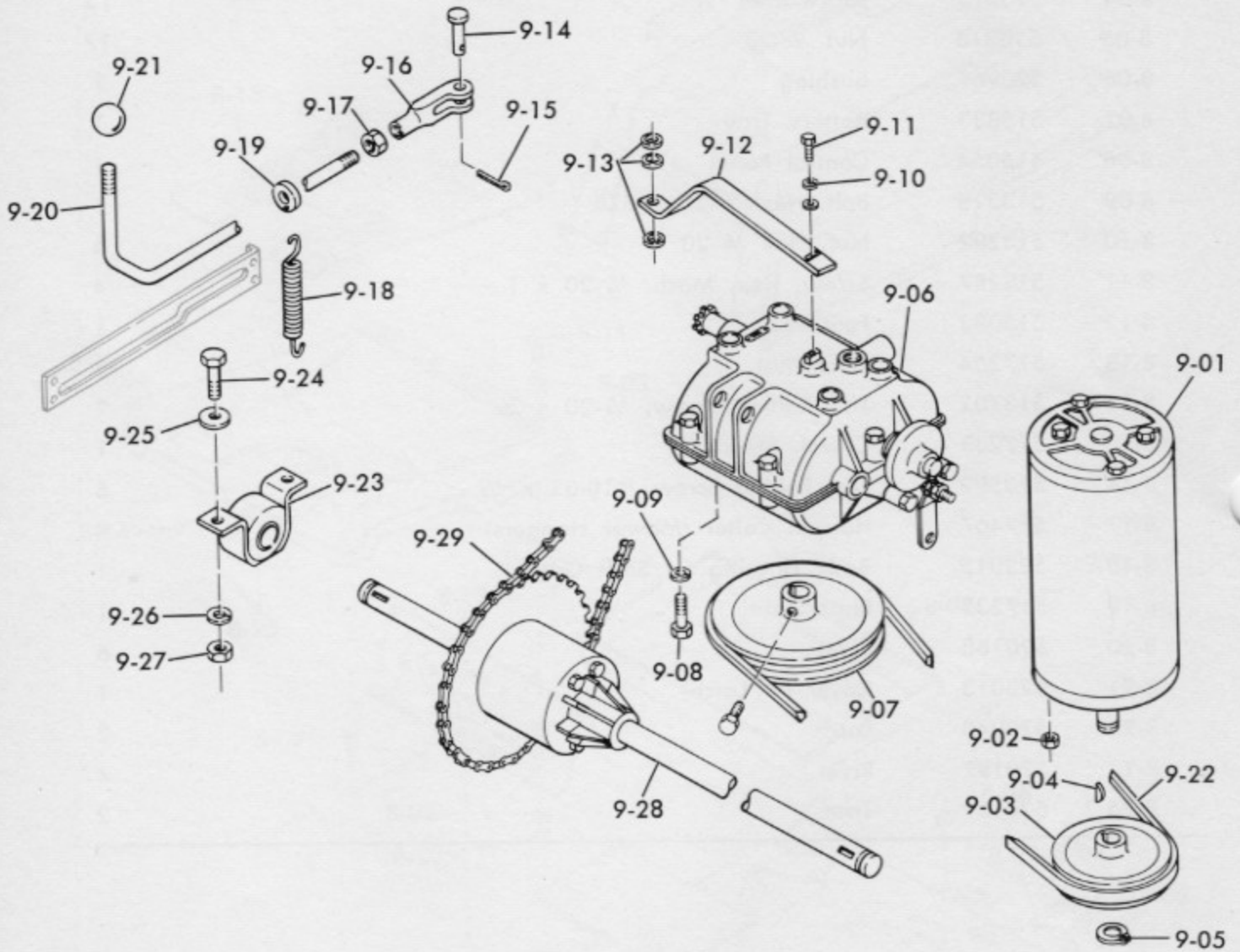


A-65 PARTS MANUAL

E8.000 FRAME AND BODY COMPONENTS (FIG. 8)

ITEM NO.	PART NO.	DESCRIPTION	NO. REQ'D.
8-01	515030	Frame Assembly	1
8-02	513318	Bolt, Hex $\frac{1}{4}$ -20 x $\frac{3}{4}$ Narrow	12
8-03	513467	Washer $\frac{1}{4}$	16
8-04	513513	Lockwasher $\frac{1}{4}$	13
8-05	513318	Nut $\frac{1}{4}$ -20	17
8-06	520969	Bushing	1
8-07	515833	Battery Tray	1
8-08	515054	Control Panel	1
8-09	513315	Bolt, Hex $\frac{1}{4}$ -20 x $\frac{5}{8}$	1
8-10	513292	Nut, Hex $\frac{1}{4}$ -20	4
8-11	513287	Screw, Hex, Mach. $\frac{1}{4}$ -20 x 1	4
8-12	515033	Foot Pan	1
8-13	517254	Floor Mat	1
8-14	513702	Thr. Rolling Screw, $\frac{1}{4}$ -20 x $\frac{1}{2}$	2
8-15	517233	Cowel, Steering	1
8-16	513699	Thr. Rolling Screw #10-32 x $\frac{1}{2}$	6
8-17	517467	Hairpin Cotter (Mower Hangers)	4
8-18	523015	Body Housing (w/Shift Gate)	1
8-19	517232	Shift Gate	1
8-20	520188	Rivet	6
8-21	523013	Cover (w/Latch)	1
8-22	520940	Latch	2
8-23	520187	Rivet	4
8-25	520159	Trim	2

FIG. 9 MOTOR, TRANSMISSION AND DRIVE SYSTEM



A-65 PARTS MANUAL

E9.000 MOTOR, TRANSMISSION AND DRIVE SYSTEM (FIG. 9)

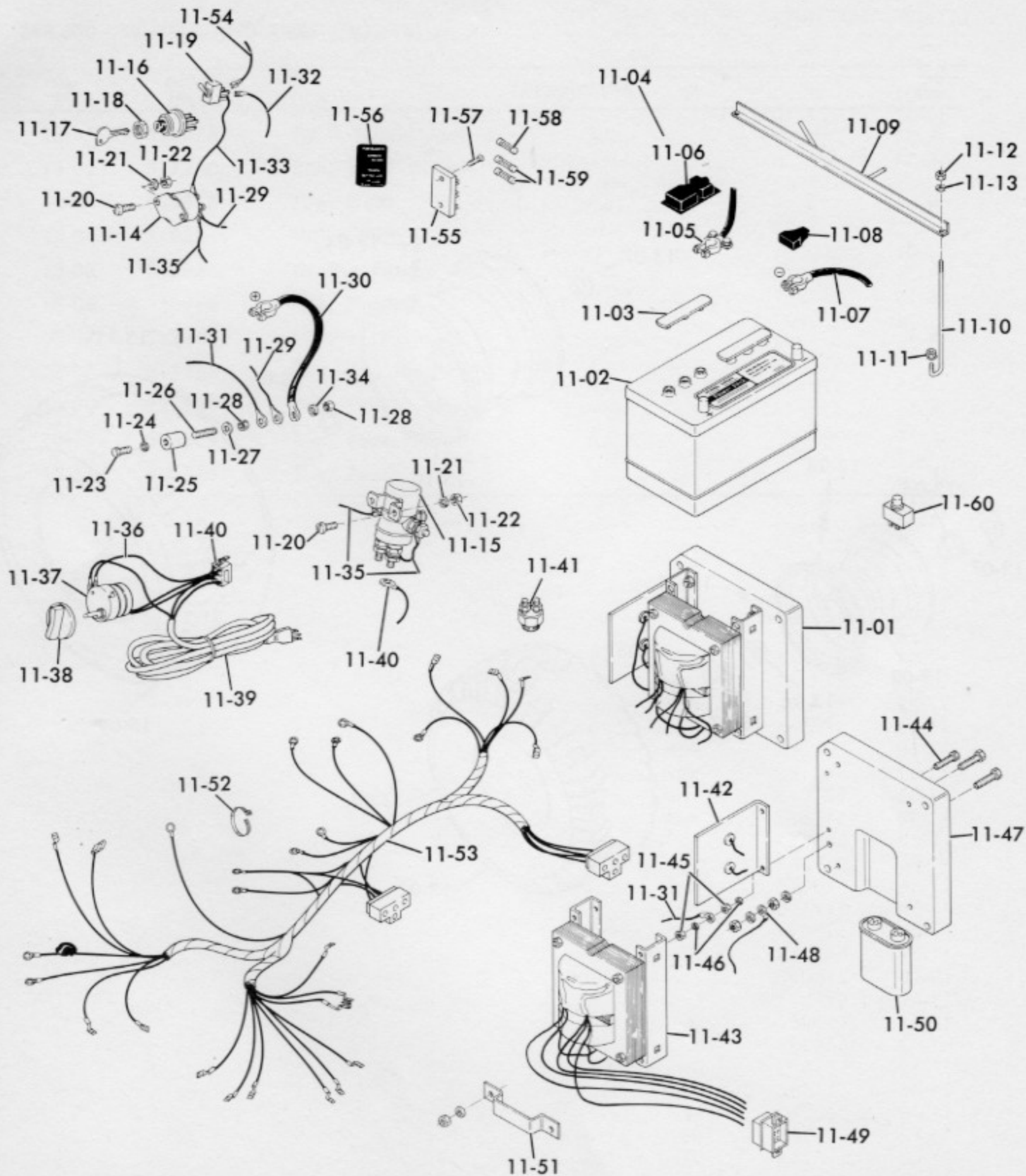
ITEM NO.	PART NO.	DESCRIPTION	NO. REQ'D.
9-01	517220	Drive Motor	1
9-02	513423	Locknut, All Metal 5/16-18	2
9-03	520890	Pulley, Motor	1
9-04	513441	Woodruff Key, 3/16 - 3/4	1
9-05	520974	Retaining Ring	1
9-06	515830	Transmission	1
9-07	520881	Pulley, Transmission	1
9-08	513338	Bolt, Hex 5/16-18 x 5/8	4
9-09	513515	Spring Lockwasher, 5/16	4
9-10	513513	Spring Lockwasher, 1/4	1
9-11	513309	Bolt, Hex 1/4-28 x 3/4	1
9-12	517260	Shift Bracket	1
9-13	520744	Washer, Fiber	3
9-14	517639	Clevis Pin 1/8 x 3/4	1
9-15	513556	Cotter Pin	1
9-16	520923	Clevis	1
9-17	513300	Jam Nut, 3/8-24	1
9-18	517594	Spring	1
9-19	519544	Washer	1
9-20	517261	Shift Rod	1
9-21	517459	Shift Knob	1
9-22	517440	Belt	1
9-23	520840	Pillow Block Bearing	2
9-24	513341	Bolt, Hex 5/16-18 x 1	4
9-25	513457	Washer, 5/16 Plain	4
9-26	513515	Spring Lockwasher, 5/16	4
9-27	513295	Nut, Hex 5/16-18	4
9-28	515828	Differential & Sprocket Assembly	1
9-29	520887	Chain Assembly	1
	521154	Connecting Link	1
	521155	Spring Clip (Connecting Link)	1
	521156	Link Plate (Connecting Link)	1

A-65 PARTS MANUAL

E11.000 ELECTRICAL SYSTEM (FIG. 11)

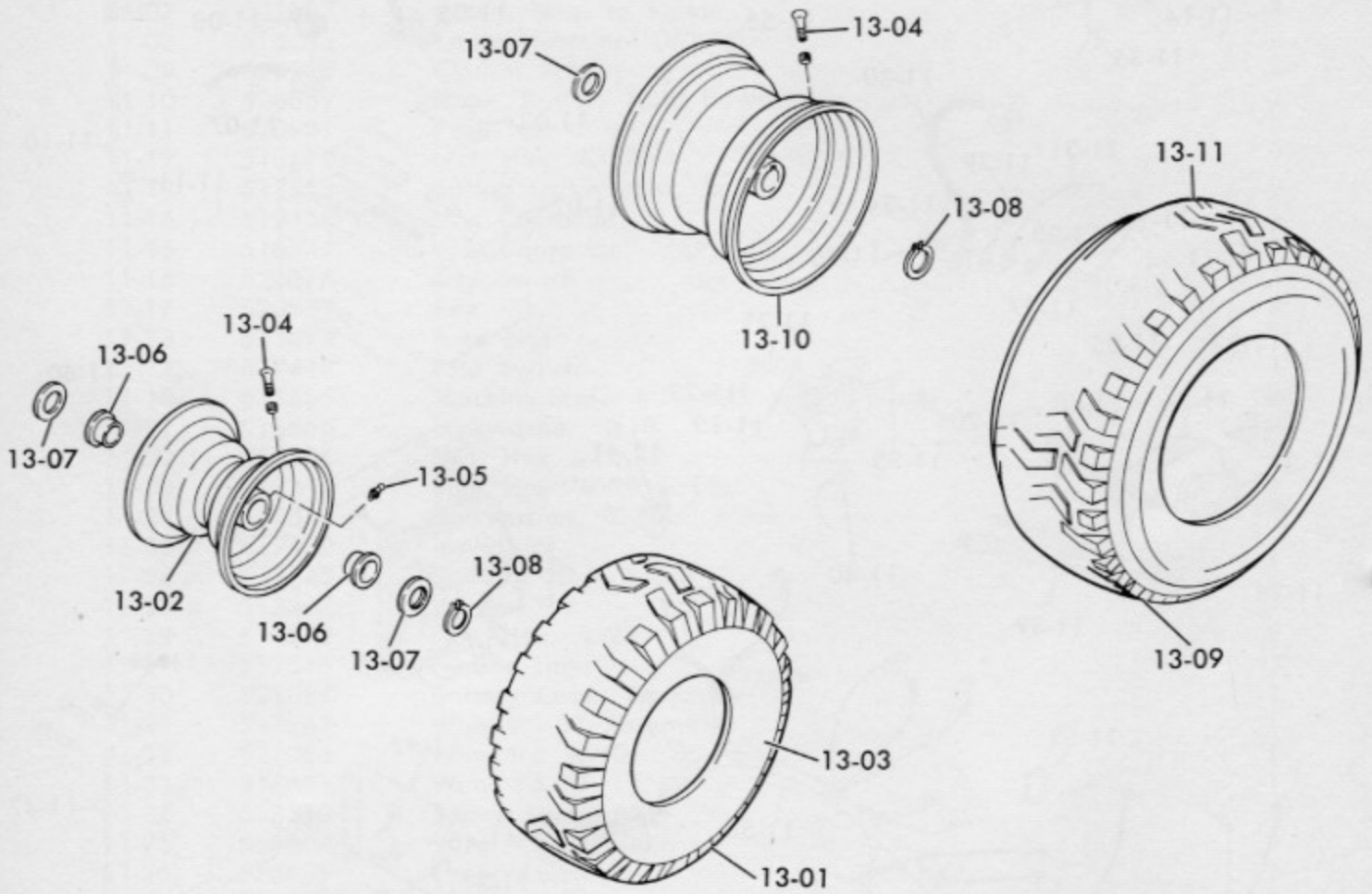
ITEM NO.	PART NO.	DESCRIPTION	NO. REQ'D.
11-01	515083	Charger Assembly	1
11-02	523010	Battery — 12 Volt Deep Discharge	3
11-03	520247	Cap, Battery	2
11-04	512078	Cable Assembly, Battery to Battery (w/Covers)	2
11-05	517980	Clamp, Battery Cable	2
11-06	517296	Cover, Terminal (Black)	2
11-07	521083	Cable, Neg. to Motor	1
11-08	516333	Cover, Terminal (White)	2
11-09	520925	Clamp, Battery	1
11-10	520859	Hook, Battery Hold Down	2
11-11	520907	Push Nut	2
11-12	513292	Nut, Hex ¼-20	2
11-13	513513	Spring Lockwasher, ¼	2
11-14	519158	Line Contactor	1
11-15	516844	PTO Contactor	1
11-16	520976	Key Switch	1
11-17	520979	Key	2
11-18	521093	Face Nut	1
11-19	519419	PTO Switch	1
11-20	513655	Machine Screw #10-32 x ½ Dull Black	4
11-21	513536	Lockwasher, #10	4
11-22	513286	Nut, Hex #10-32	4
11-23	513313	Bolt, Hex ¼-20 x 1½	1
11-24	513510	Lockwasher, ¼ Dull Black	1
11-25	517379	Insulator	1
11-26	513745	Stud ¼-20 x 1-1/8	1
11-27	513467	Washer ¼	1
11-28	513292	Nut, Hex ¼-20	2
11-29	517545	Fusible Link	1
11-30	521082	Battery Cable Assembly	1
11-31	517167	Wire #1-01 Assembly	1
11-32	521086	Wire #6 AWG	1
11-33	516681	Wire #5-00	1
11-34	513513	Spring Lockwasher, ¼	1
11-35	519604	Wire #7 & 1-00	2
11-36	516555	Timer Assembly	1
11-37	517650	Timer	1
11-38	518041	Knob, Timer	1
11-39	517750	Cord Assembly	1
11-40	518097	Socket Housing	1
11-41	517281	Interlock Switch, Transmission	1
11-42	515951	Heat Sink w/Diodes	1
11-43	516337	Transformer	1
11-44	513658	Screw, Hex Machine #10-32 x 7/8	2
11-45	513287	Nut #10-32	3
11-46	513536	Spring Lockwasher #10	3
11-47	515375	Base, Charger	1
11-48	517168	Wire #30-01 Assembly	1
11-49	518091	Plug, Male End	1
11-50	518234	Capacitor	1
11-51	519494	Clamp, Capacitor	1
11-52	518016	Cable Tie (Small)	11
	518017	Cable Tie (Large)	4
11-53	515085	Wiring Harness	1
11-54	520984	Diode Assembly (Wire #7-01 and Wire #11	1
11-55	519921	Fuse Block	1

FIG. 11 ELECTRICAL SYSTEM



11-56	521105	Decal, Fuse Block	1
11-57	513690	Thd. Rolling Screw 6-32 x 1/2	2
11-58	518241	Fuse, 20A	1
11-59	521104	Fuse, 40 Slow Blow	2
11-60	518780	Seat Switch	1

FIG. 13 WHEELS AND TIRES

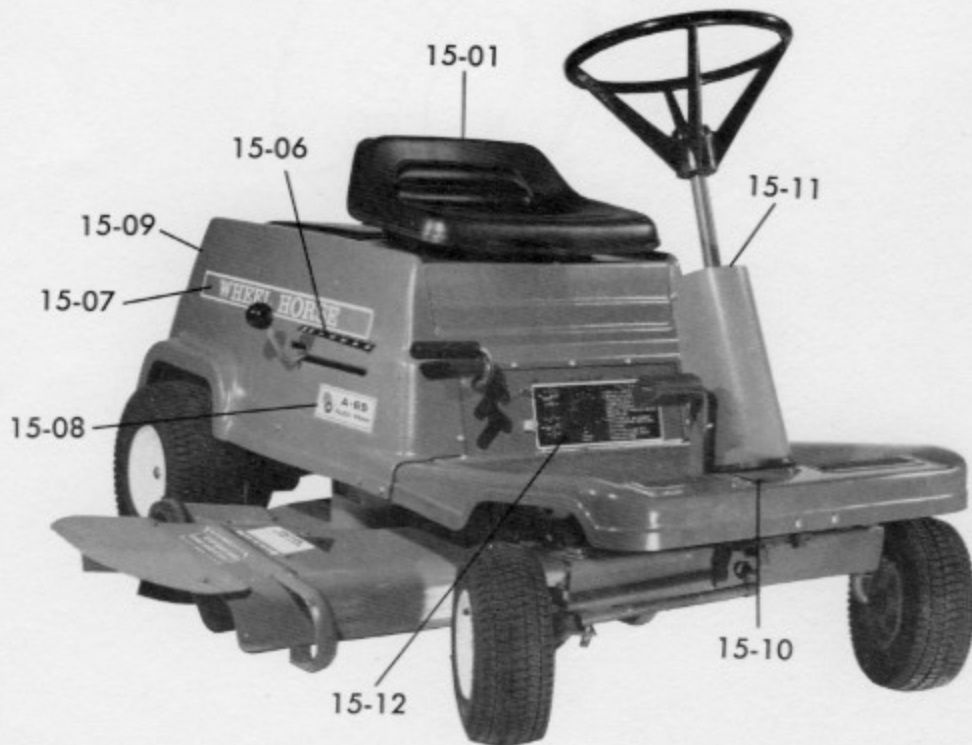
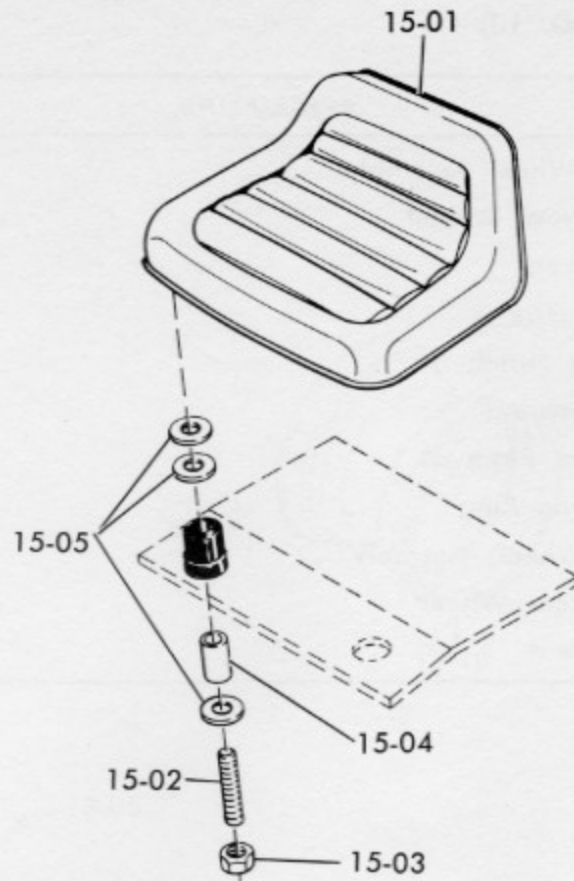


A-65 PARTS MANUAL

E13.000 WHEELS AND TIRES (FIG. 13)

ITEM NO.	PART NO.	DESCRIPTION	NO. REQ'D.
13-01	517275	Front Wheel Assembly	2
13-02	517280	Rim, Front Wheel	1
13-03	520987	Tire, Front	1
13-04	5108	Valve, Tire	1
13-05	518936	Grease Fitting	1
13-06	520986	Hub Bearing	2
13-07	513462	Washer, Plain $\frac{3}{4}$	6
13-08	513756	Retaining Ring	4
13-09	523009	Rear Wheel Assembly	2
13-10	523008	Rim, Rear Wheel	1
13-11	520873	Tire, Rear	1

FIG. 15 SEAT, DECALS, MISC. TRIM

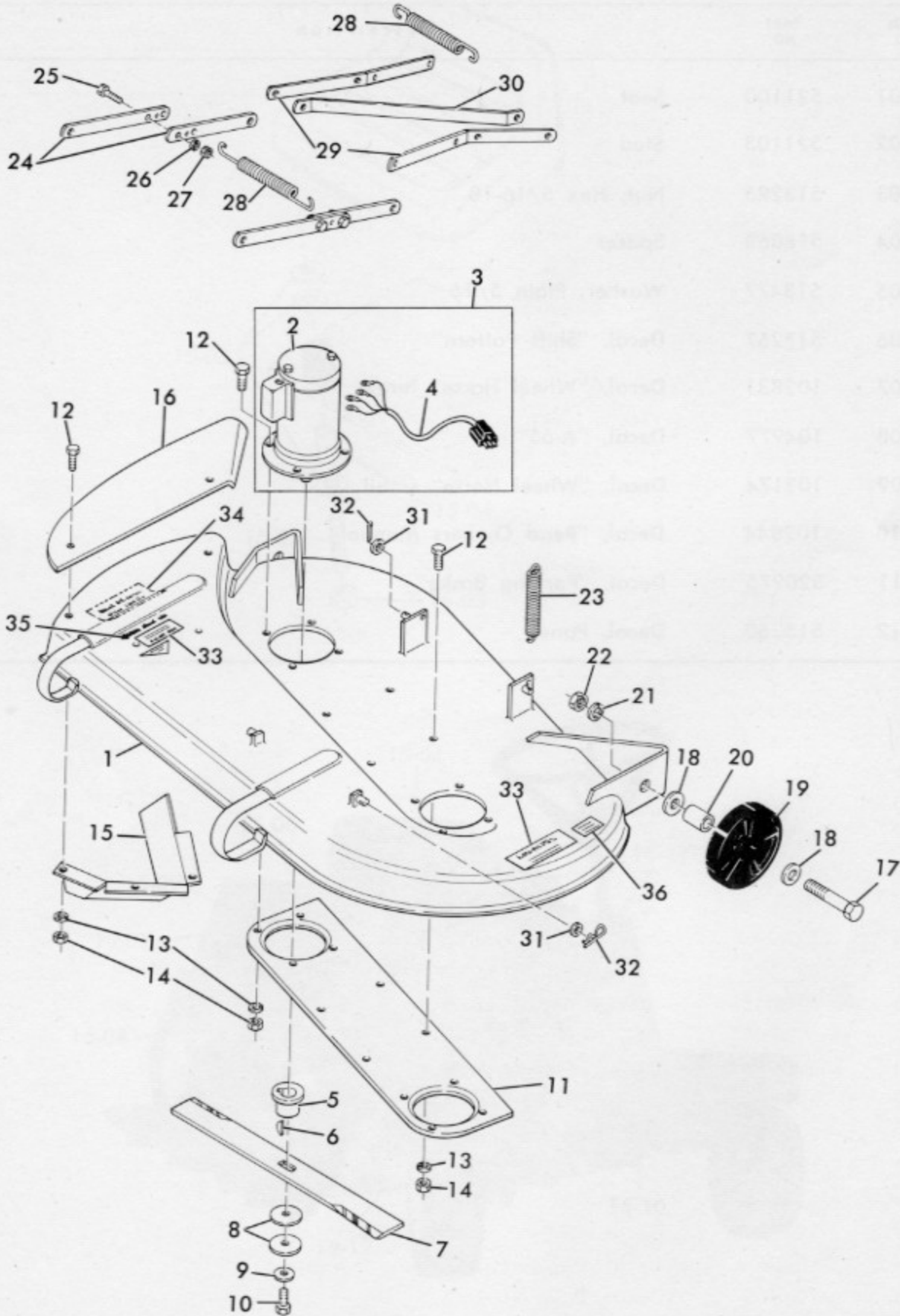


A-65 PARTS MANUAL

E15.000 SEAT, DECALS, MISC. TRIM (FIG. 15)

ITEM NO.	PART NO.	DESCRIPTION	NO. REQ'D.
15-01	521100	Seat	1
15-02	521103	Stud	2
15-03	513295	Nut, Hex 5/16-18	2
15-04	518068	Spacer	2
15-05	513477	Washer, Plain 5/16	6
15-06	517267	Decal, "Shift Pattern"	1
15-07	102831	Decal, "Wheel Horse" large	2
15-08	104977	Decal, "A-65"	2
15-09	103174	Decal, "Wheel Horse" small	1
15-10	102844	Decal, "Read Owners Manual"	1
15-11	520975	Decal, "Parking Brake"	1
15-12	515260	Decal, Panel	1

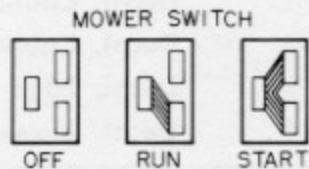
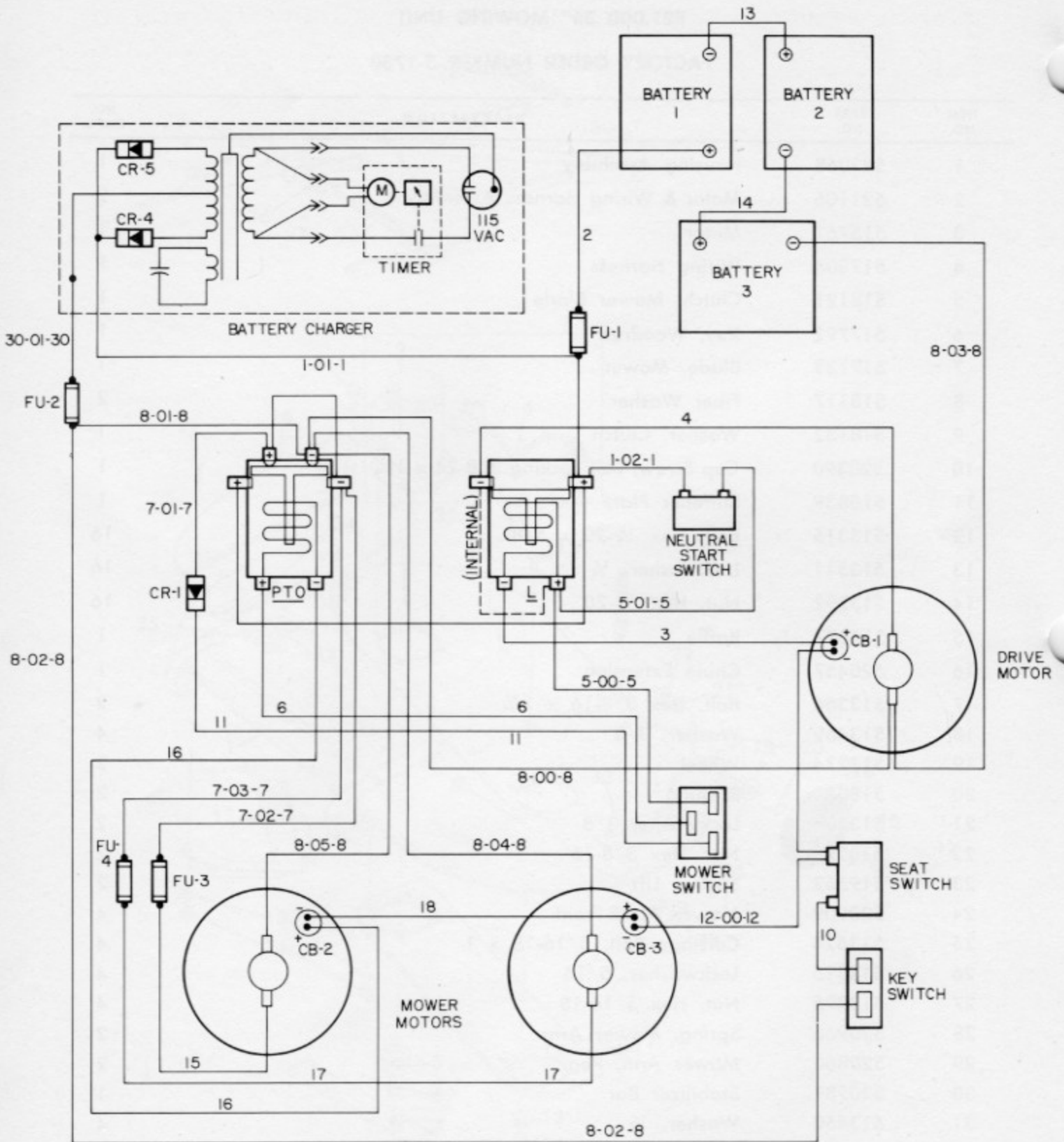
FIG. 21 - A-65 36" MOWING UNIT



A-65 PARTS MANUAL
E21.000 36" MOWING UNIT
FACTORY ORDER NUMBER 5-1780

ITEM NO.	PART NO.	DESCRIPTION	NO. REQ'D.
1	523068	Housing Assembly	1
2	521106	Motor & Wiring Harness Assembly	2
3	515761	Motor	1
4	517304	Wiring Harness	1
5	518121	Clutch, Mower Blade	1
6	517792	Key, Woodruff	1
7	517133	Blade, Mower	1
8	518117	Fiber Washer	2
9	518132	Washer, Clutch	1
10	520390	Cap Screw, Self Locking 3/8-24 x 1 1/4	1
11	515839	Stiffener Plate	1
12	513315	Bolt, Hex 1/4-20 x 5/8	16
13	513511	Lockwasher, 1/4	16
14	513292	Nut, Hex 1/4-20	16
15	515677	Baffle	1
16	520457	Chute Extension	1
17	513366	Bolt, Hex 3/8-16 x 2 3/4	2
18	513469	Washer, 3/8	4
19	517274	Wheel	2
20	518070	Bushing	2
21	513517	Lockwasher 3/8	2
22	513278	Nut, Hex 3/8-16	2
23	519552	Spring, Lift	2
24	520909	Mower Arm, Front	4
25	513624	Carriage Bolt, 5/16-18 x 1	4
26	513515	Lockwasher, 5/16	4
27	513295	Nut, Hex 5/16-18	4
28	520966	Spring, Mower Arm	2
29	520860	Mower Arm, Rear	2
30	520981	Stabilizer Bar	1
31	513459	Washer, 1/2	4
32	513558	Cotter Pin, 1/8 x 1	4
33	523071	Decal, Caution — Stand Clear	2
34	104356	Decal, Caution — Do Not Operate	1
35	104903	Decal, Edge of Cut	1
36	520176	Decal, Mower Height Adj.	1

WIRING-DIAGRAM



1975 NEW PRODUCT WARRANTY

"Wheel Horse Products, Inc. warrants that it will replace without charge any part supplied as an original equipment component of any 1975 or later model garden tractor, lawn tractor, riding mower or serialized attachment, carrying the brand name "Wheel Horse", which proves to be defective due to faulty workmanship or material in manufacture for one year (365 days) after date of purchase by the original owner. The exceptions are: "Wheel Horse" brand batteries which are covered by a separate Battery Warranty. Engines and Peerless Transmissions are covered by their respective manufacturers under their own separate warranty policies.

All service work must be performed by an Authorized Wheel Horse dealer. Transporting the unit to and from the servicing dealer and any state and local taxes are the responsibility of the owner.

The foregoing warranty states the entire obligation of Wheel Horse Products, Inc. and is in lieu of all other warranties whether expressed or implied."

1975 WHEEL HORSE POWER PACK BATTERY WARRANTY

"Wheel Horse Products, Inc. warrants that it will replace without charge any "Wheel Horse" brand battery supplied as original equipment in any 1975 or later Model A-60, A-65, B-145 or C-185 Riding Lawn Mower or Garden Tractor which proves to be defective due to faulty workmanship or material in manufacture within one year (365 days) after date of purchase by the original owner.

After 12 months (365 days) but within 36 months (1095 days) the battery will be replaced upon payment of a Pro Rata usage charge equal to one-thirty-seventh (1/37) of the factory suggested list price for such battery at the time of replacement for each month or substantial portion thereof which has elapsed between the date of the original purchase of the unit and the date of the battery replacement.

Transporting the battery to and from the servicing dealer and any other state and local taxes are the responsibility of the owner.

The foregoing warranty states the entire obligation of Wheel Horse Products, Inc. and is in lieu of all other warranties whether expressed or implied."

PROCEDURE TO OBTAIN SERVICE UNDER YOUR WHEEL HORSE WARRANTY

1. Contact your Authorized Wheel Horse Dealer from whom you purchased your equipment.
2. Or, contact any Authorized Wheel Horse Dealer if for some reason it is impractical for you to contact the dealer from whom you purchased your equipment. If you do not know his name, check the yellow pages of your local telephone book under "Lawn Mowers".
3. Engines (gasoline powered) in your Wheel Horse are warranted separately by their manufacturer.
4. Peerless transmissions and differentials used in A-60, A-65, A-80, B-145, and C-185 models are warranted separately by their manufacturer.
5. In most cases engines and Peerless transmissions and differential warranty will be handled by your Authorized Wheel Horse Dealer. Most of our dealers are authorized service outlets. If he is not, he will advise you where your equipment can be repaired by checking the yellow pages of your local telephone book under "Engines-Gasoline".
6. If further assistance is required, please contact the service department of the applicable manu-

facturer as shown below:

Tecumseh Products Company

Grafton, WI 53024

(414) 377-2700

The Kohler Company

Kohler, WI 53044

(414) 457-4441

Briggs & Stratton Corp.

Milwaukee, WI 53201

(414) 461-1212

7. If you still are unable to get an engine, transmission or differential warranty problem solved, please write to "Customer Service Department" Wheel Horse Products, Inc., 515 West Ireland Road, South Bend, Indiana 46614, giving the following information:
 - A. Model and serial number of your tractor, riding mower and/or engine.
 - B. Original purchase date.
 - C. Dealer from whom you purchased the unit.
 - D. Your name, address and telephone number.
 - E. Describe your problem as completely as possible.

You will be contacted promptly.

Wheel Horse has been matching lawn and garden needs since 1946.



PERFORMANCE

Thousands of owners each year can attest to our determination to fit the right tractor to the job. We've been building lawn and garden equipment for 29 years. That's why Wheel Horse has grown from a backyard garage shop to a large, modern manufacturing facility. Automated assembly procedures, tight quality control and demanding inspections carry on the uniform quality that began back in 1946.

ENGINEERING

Quality tractors require innovative engineering. Examples are our patented Uni-drive transmission — a cast iron encased unit with heavy-duty parts throughout or our manual attachment clutch that is easily serviced or repaired. All products are engineered for minimum maintenance. We're confident you'll enjoy many trouble-free hours of service with your Wheel Horse tractor.

DEALER SALES AND SERVICE

Rounding out Wheel Horse dependability is a nationwide network of dealers who sell and service our tractors. Should your Wheel Horse need service some day, your authorized Wheel Horse dealer is specially trained to do the job. He stocks genuine Wheel Horse parts and attachments to meet your exacting needs. You'll find him listed in the yellow pages under "Lawn Mowers."



"I've Got a Horse" decals are yours free, just for sending a self-addressed stamped envelope to:

DECALS — WHEEL HORSE PRODUCTS, INC.
515 WEST IRELAND ROAD • SOUTH BEND, INDIANA 46614



WHEEL HORSE

lawn & garden tractors

515 West Ireland Road, South Bend, Indiana 46614