

01-14E801 E-141 8-SPEED

## LIST OF ILLUSTRATIONS

**WHEEL HORSE E-141  
PARTS MANUAL****INTRODUCTION PAGE****1. How to use this parts manual**

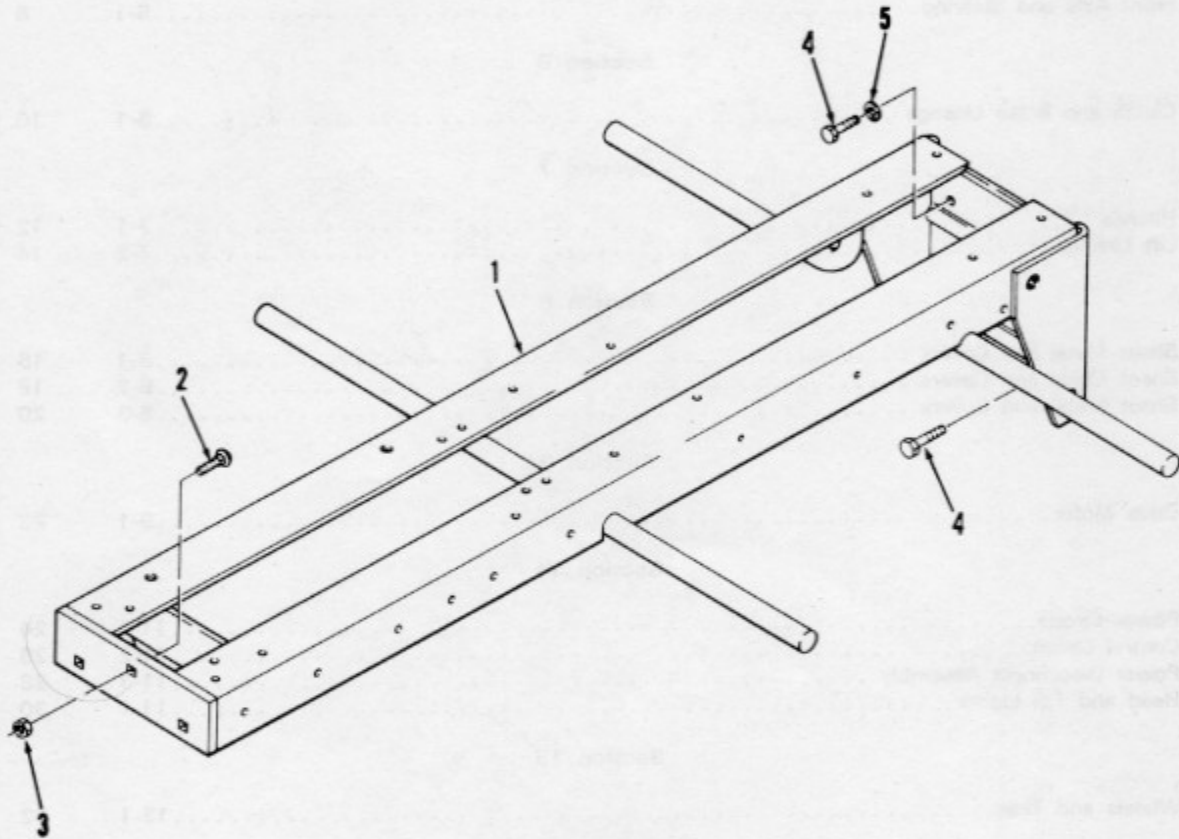
- 1.1 The E-141 parts manual is divided into major sections arranged in the sequence as outlined on the following page. Major sections are subdivided into smaller groups of parts, each with its own illustration and illustration reference numbers.
- 1.2 Illustrated items are numerically keyed to the parts listing on the facing page. Illustrations are repeated when the parts list is too long for one page. Figure numbers are located at the bottom of each illustration and also in bold face type at the beginning of each description column. Item numbers are numerically keyed to their respective illustrations.
- 1.3 Alphabetical and numerical indexes are located at the end of the manual.
- 1.4 When an (X) appears in the quantity (Qty) column use only as required to meet tolerances.

**2. To locate parts**

- 2.1 When function, use or location is known:  
Refer to the List of Illustrations to locate the proper illustration.
- 2.2 When part designation (common name) is known:  
Refer to the Alphabetical Index.
- 2.3 When part number is known:  
Refer to the Numerical Index.

## LIST OF ILLUSTRATIONS

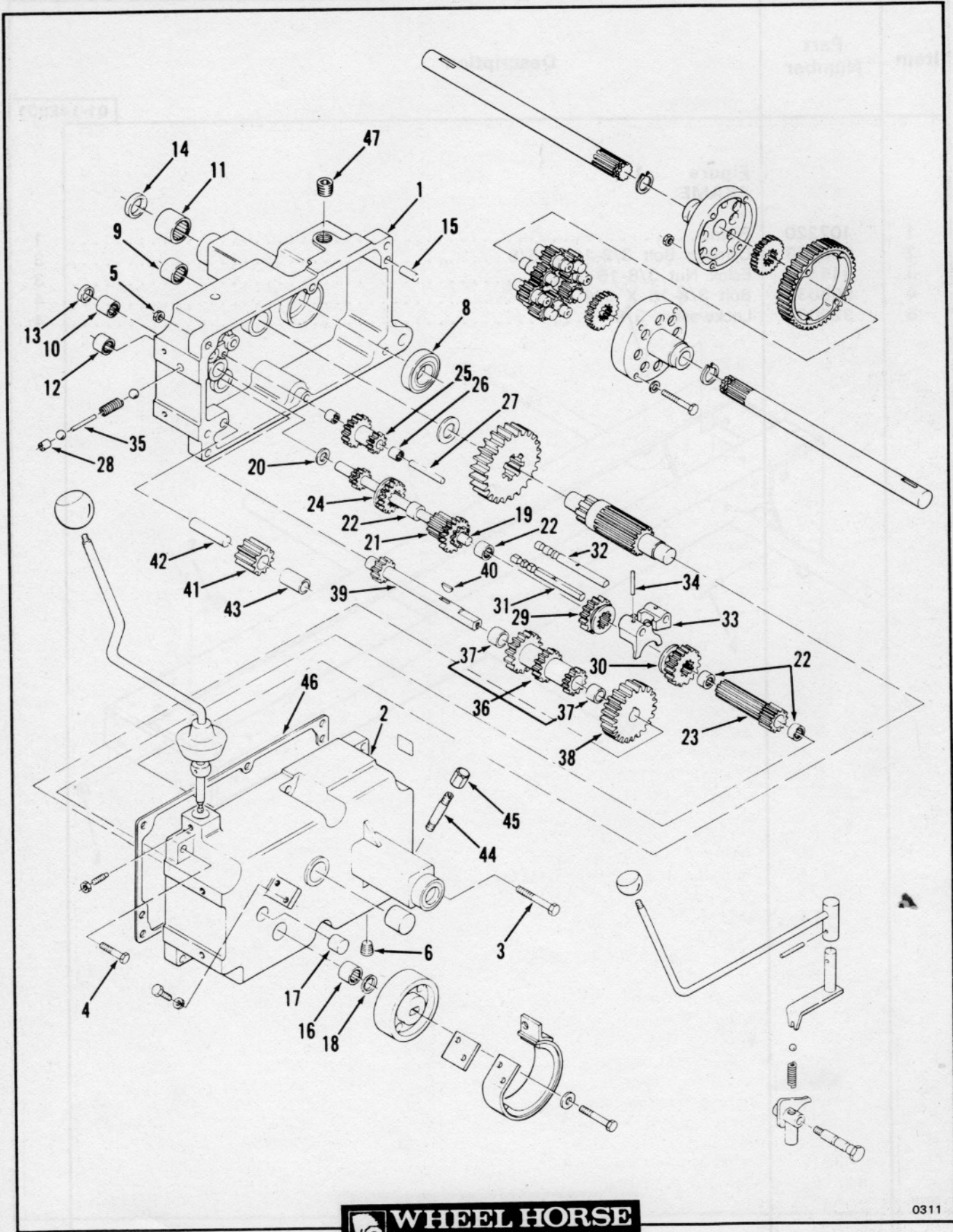
Title	Figure Number	Page
<b>Section 1</b>		
Frame .....	1-1	2
<b>Section 3</b>		
Mechanical Transmission - 8 Speed .....	3-1	4
Mechanical Transmission - 8 Speed .....	3-2	6
<b>Section 5</b>		
Front Axle and Steering .....	5-1	8
<b>Section 6</b>		
Clutch and Brake Linkage .....	6-1	10
<b>Section 7</b>		
Hitches .....	7-1	12
Lift Linkage .....	7-2	14
<b>Section 8</b>		
Sheet Metal and Covers .....	8-1	16
Sheet Metal and Covers .....	8-2	18
Sheet Metal and Covers .....	8-3	20
<b>Section 9</b>		
Drive Motor .....	9-1	22
<b>Section 11</b>		
Power Circuit .....	11-1	24
Control Circuit .....	11-2	26
Power Disconnect Assembly .....	11-3	28
Head and Tail Lights .....	11-4	30
<b>Section 13</b>		
Wheels and Tires .....	13-1	32
<b>Section 14</b>		
Drive Belt and Pulleys .....	14-1	34
<b>Section 15</b>		
Seat .....	15-1	36
Decals .....	15-2	38
<b>Section 16</b>		
Wiring Diagram - Power Circuit .....	16-1	40
Wiring Diagram - Control Circuit (Fold-Out Page) .....	16-2	



0103

Figure 1-1 Frame

Item	Part Number	Description	
01-14E801			
		<b>Figure 1-1</b> <b>FRAME</b>	
1	107220	Frame .....	1
2	900063	Carriage Bolt 3/8-16 X 5/8 .....	3
3	915113	Eslok Nut 3/8-16 .....	3
4	908032	Bolt 3/8-16 X 3/4 .....	4
5	920083	Lockwasher 3/8 .....	4

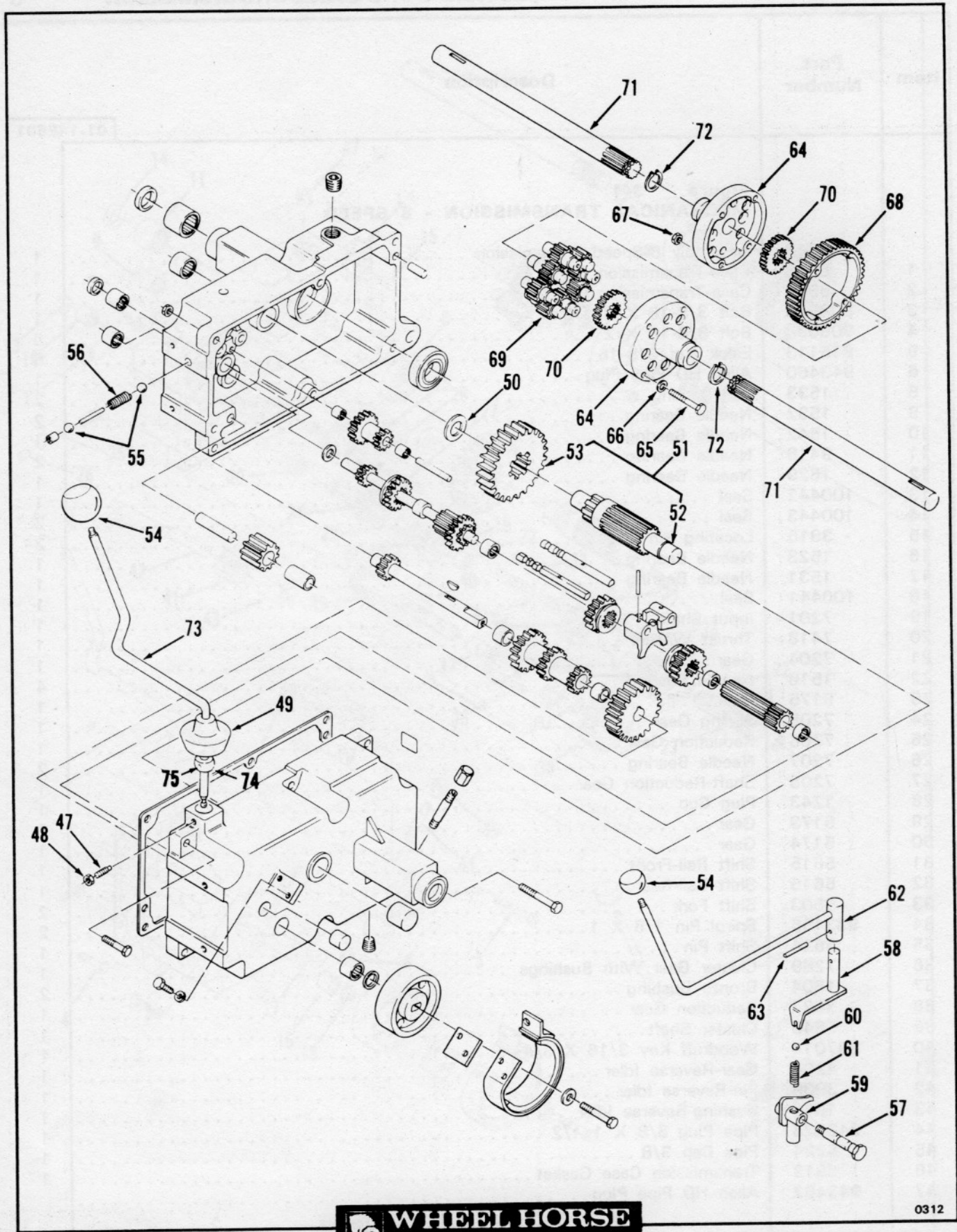


0311

Figure 3-1

Mechanical Transmission - 8 Speed

Item	Part Number	Description	
<b>01-14E801</b>			
<b>Figure 3-1</b>			
<b>MECHANICAL TRANSMISSION - 8 SPEED</b>			
	103918	Assembly 8-Speed Transmission .....	1
1	8163	Case-Transmission RH .....	1
2	6941	Case-Transmission LH .....	1
3	908043	Bolt 3/8-16 X 3 1/2 .....	1
4	908038	Bolt 3/8-16 X 2 .....	5
5	915113	Eslok Nut 3/8-16 .....	6
6	943460	Allen HD Pipe Plug .....	1
8	1533	Ball Bearing .....	2
9	1532	Needle Bearing .....	2
10	1542	Needle Bearing .....	1
11	9416	Needle Bearing .....	2
12	1529	Needle Bearing .....	1
13	100442	Seal .....	1
14	100443	Seal .....	2
15	3915	Locating Pin .....	2
16	1523	Needle Bearing .....	1
17	1531	Needle Bearing .....	1
18	100441	Seal .....	1
19	7201	Input Shaft .....	1
20	7418	Thrust Washer .....	1
21	7204	Gear .....	1
22	1518	Needle Bearing .....	4
23	5175	Gear .....	1
24	7205	Sliding Gear .....	1
25	7206	Reduction Gear .....	1
26	7207	Needle Bearing .....	2
27	7208	Shaft-Reduction Gear .....	1
28	1243	Plug Cup .....	1
29	5173	Gear .....	1
30	5174	Gear .....	1
31	5615	Shift Rail-Front .....	1
32	5616	Shift Rail-Rear .....	1
33	3503	Shift Fork .....	2
34	933156	Spirol Pin 1/8 X 1 .....	2
35	5614	Shift Pin .....	1
36	7269	Cluster Gear With Bushings .....	1
37	1504	Bronze Bushing .....	2
38	3527	Reduction Gear .....	1
39	9840	Cluster Shaft .....	1
40	937014	Woodruff Key 3/16 X 3/4 .....	1
41	4204	Gear-Reverse Idler .....	1
42	3909	Pin-Reverse Idler .....	1
43	1516	Bushing-Reverse Idler .....	1
44	943326	Pipe Plug 3/8 X 1 1/2 .....	1
45	5224	Pipe Cap 3/8 .....	1
46	3912	Transmission Case Gasket .....	1
47	943462	Allen HD Pipe Plug .....	1



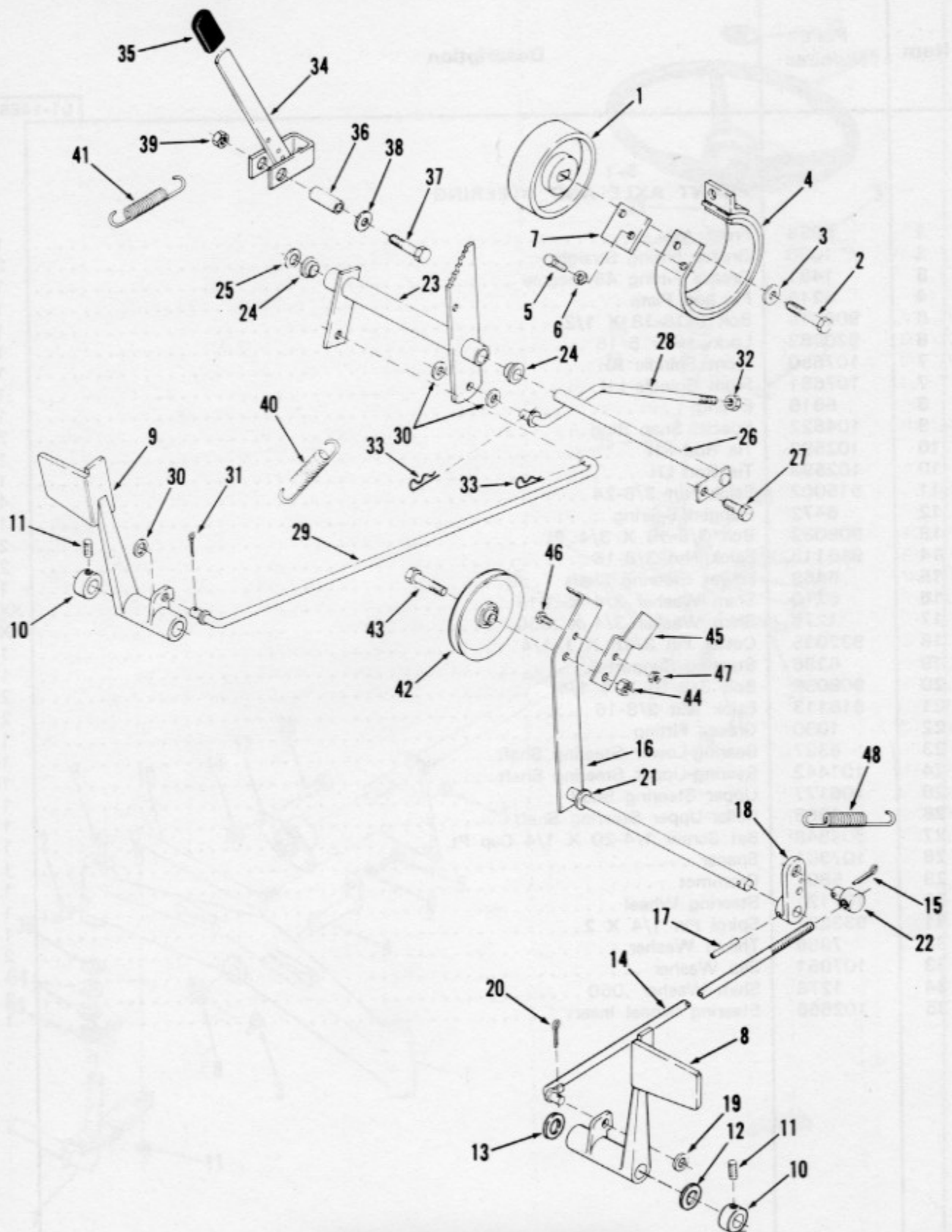
0312

Figure 3-2 Mechanical Transmission - 8 Speed

Item	Part Number	Description	
<b>01-14E801</b>			
<b>Figure 3-2 MECHANICAL TRANSMISSION - 8 SPEED</b>			
47	1239	Special Set Screw . . . . .	1
48	915111	Nut 1/4-20 . . . . .	1
49	3577	Dust Cover . . . . .	1
50	9547	Thrust Washer . . . . .	1
51	102974	Gear Assembly . . . . .	1
52	101625	Gear 11 Tooth . . . . .	1
53	101626	Gear 44 Tooth . . . . .	1
54	102871	Shift Knob . . . . .	2
55	3517	Detent Ball 1/4 Diameter . . . . .	2
56	106030	Detent Spring . . . . .	1
57	7213	Detent Bolt . . . . .	1
58	7214	Shift Shaft HI-Low Range . . . . .	1
59	7209	Shift Fork HI-Low Range . . . . .	1
60	3517	Detent Ball 1/4 Diameter . . . . .	1
61	106030	Detent Spring . . . . .	1
62	106366	Shift Lever HI-Low Range . . . . .	1
63	933184	Spirol Pin 3/16 X 3/4 . . . . .	1
64	105060	Differential End Cap . . . . .	2
65	911423	Bolt 3/8-16 X 3 1/2 Grade 8 . . . . .	4
66	107374	Special Washer-Case Hardened . . . . .	4
67	915113	Eslok Nut 3/8-16 . . . . .	4
68	105061	Differential Ring Gear . . . . .	1
69	101623	Differential Pinion Gear . . . . .	8
70	101889	Differential Axle Gear . . . . .	2
71	105875	Rear Axle . . . . .	2
72	105876	Special Snap Ring . . . . .	2
73	107606	Gear Shift Lever . . . . .	1
74	107596	Collar . . . . .	1
75	933169	Spirol Pin 5/32 X 7/8 . . . . .	1



Item	Part Number	Description	
<b>01-14E801</b>			
<b>Figure 5-1 FRONT AXLE AND STEERING</b>			
1	5638	Front Axle . . . . .	1
2	1030	Grease Fitting Straight . . . . .	2
3	1481	Grease Fitting 45 Degree . . . . .	1
4	6216	Pin and Plate . . . . .	1
5	908015	Bolt 5/16-18 X 1/2 . . . . .	1
6	920082	Lockwasher 5/16 . . . . .	1
7	107650	Front Spindle RH . . . . .	1
7	107651	Front Spindle LH . . . . .	1
8	5618	E-Ring . . . . .	1
9	104822	Special Snap Ring . . . . .	2
10	102592	Tie Rod RH . . . . .	1
10	102593	Tie Rod LH . . . . .	1
11	915002	Eslok Nut 3/8-24 . . . . .	4
12	6472	Flanged Bearing . . . . .	1
13	908032	Bolt 3/8-16 X 3/4 . . . . .	2
14	915113	Eslok Nut 3/8-16 . . . . .	2
15	6469	Lower Steering Shaft . . . . .	1
16	5210	Shim Washer 3/4 X .015 . . . . .	XXX
17	1278	Shim Washer 3/4 X .050 . . . . .	XXX
18	932035	Cotter Pin 3/16 X 1 1/4 . . . . .	1
19	6396	Steering Support . . . . .	1
20	908035	Bolt 3/8-16 X 1 1/4 . . . . .	2
21	915113	Eslok Nut 3/8-16 . . . . .	2
22	1030	Grease Fitting . . . . .	1
23	6397	Bearing-Lower Steering Shaft . . . . .	1
24	101442	Bearing-Upper Steering Shaft . . . . .	1
25	106177	Upper Steering Shaft . . . . .	1
26	1085	Collar-Upper Steering Shaft . . . . .	1
27	909848	Set Screw 1/4-20 X 1/4 Cup Pt. . . . .	1
28	107301	Spacer . . . . .	1
29	5807	Grommet . . . . .	1
30	107121	Steering Wheel . . . . .	1
31	933221	Spirol Pin 1/4 X 2 . . . . .	1
32	7956	Thrust Washer . . . . .	2
33	107051	Slip Washer . . . . .	4
34	1278	Shim Washer .050 . . . . .	2
35	102856	Steering Wheel Insert . . . . .	1

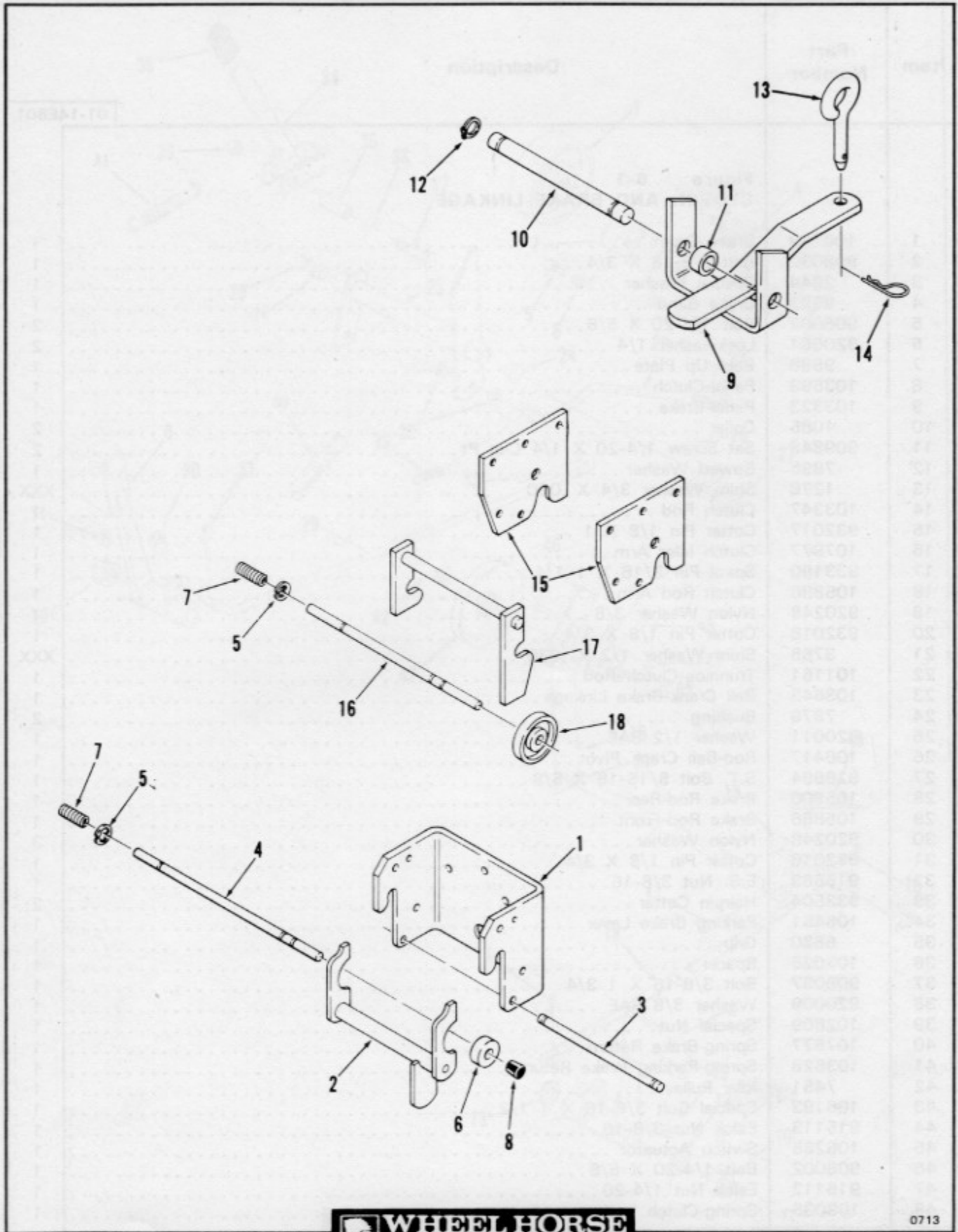


**WHEEL HORSE**  
lawn & garden tractors

0614

Figure 6-1 Clutch and Brake Linkage

Item	Part Number	Description	
<b>01-14E801</b>			
<b>Figure 6-1 CLUTCH AND BRAKE LINKAGE</b>			
1	106719	Brake Drum	1
2	908032	Bolt 3/8-16 X 3/4	1
3	2844	Special Washer	1
4	9593	Brake Band	1
5	908002	Bolt 1/4-20 X 5/8	2
6	920081	Lockwasher 1/4	2
7	9598	Back-Up Plate	1
8	103599	Pedal-Clutch	1
9	103323	Pedal-Brake	1
10	1085	Collar	2
11	909848	Set Screw 1/4-20 X 1/4 Cup Pt.	2
12	7896	Bowed Washer	1
13	1278	Shim Washer 3/4 X .050	XXX
14	103347	Clutch Rod	1
15	932017	Cotter Pin 1/8 X 1	1
16	107977	Clutch Idler Arm	1
17	933190	Spirol Pin 3/16 X 1 1/4	1
18	105896	Clutch Rod Arm	1
19	920248	Nylon Washer 3/8	1
20	932016	Cotter Pin 1/8 X 3/4	1
21	3765	Shim Washer 1/2 X .030	XXX
22	101161	Trunnion-Clutch Rod	1
23	103543	Bell Crank-Brake Linkage	1
24	7879	Bushing	2
25	920011	Washer 1/2 SAE	1
26	106417	Rod-Bell Crank Pivot	1
27	926694	S.T. Bolt 5/16-18 X 5/8	1
28	105900	Brake Rod-Rear	1
29	105886	Brake Rod-Front	1
30	920248	Nylon Washer	3
31	932016	Cotter Pin 1/8 X 3/4	1
32	915663	E.S. Nut 3/8-16	1
33	933504	Hairpin Cotter	2
34	106451	Parking Brake Lever	1
35	6820	Grip	1
36	102025	Spacer	1
37	908037	Bolt 3/8-16 X 1 3/4	1
38	920009	Washer 3/8 SAE	1
39	102809	Special Nut	1
40	107677	Spring-Brake Return	1
41	103628	Spring-Parking Brake Return	1
42	7451	Idler Pulley	1
43	106193	Special Bolt 3/8-16 X 1 1/2	1
44	915113	Eslok Nut 3/8-16	1
45	106265	Switch Actuator	1
46	908002	Bolt 1/4-20 X 5/8	1
47	915112	Eslok Nut 1/4-20	1
48	108035	Spring-Clutch Return	1



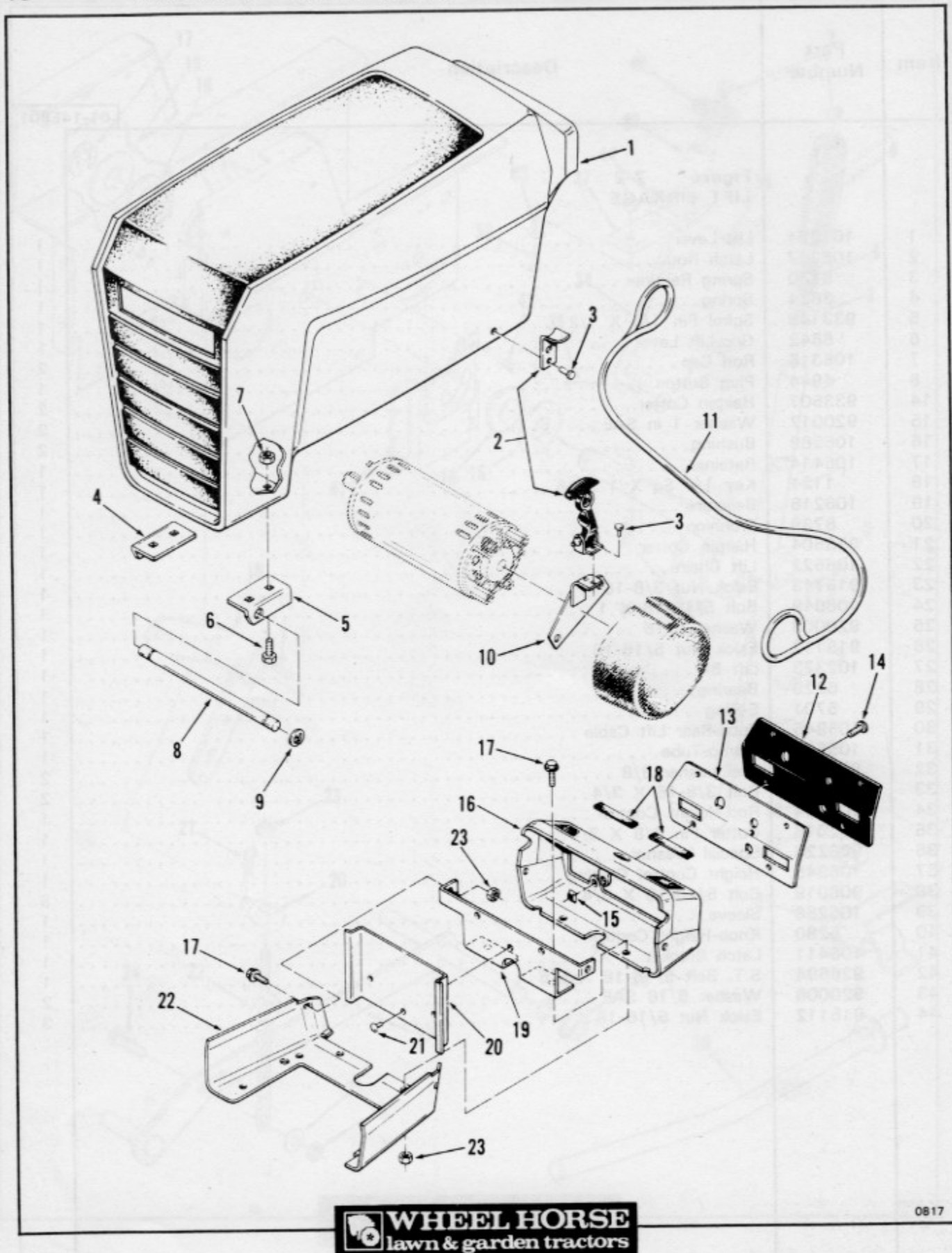
0713

Figure 7-1 Hitches

Item	Part Number	Description	
<b>01-14E801</b>			
<b>Figure 7-1 HITCHES</b>			
1	101711	Front Hitch Housing .....	1
2	105859	Latch-Front Hitch .....	1
3	101750	Rod .....	1
4	101751	Rod-Front Hitch Lock .....	1
5	105797	E-Ring .....	8
6	101707	Lock .....	1
7	8616	Spring .....	2
8	105316	Cap-Lock Rod .....	2
9	1644	Drawbar Hitch .....	1
10	105269	Shaft-Drawbar Hitch .....	1
11	979120	Spacer .....	2
12	5618	E-Ring .....	2
13	1813	Hitch Pin .....	1
14	933505	Hairpin Cotter .....	1
15	102644	Mid Hitch Plate .....	2
16	102672	Rod-Mid Hitch Lock .....	1
17	102639	Latch-Mid Hitch .....	1
18	101017	Lock .....	1



Item	Part Number	Description	
<b>01-14E801</b>			
<b>Figure 7-2 LIFT LINKAGE</b>			
1	107391	Lift Lever .....	1
2	106257	Latch Rod .....	1
3	8130	Spring Retainer .....	1
4	3624	Spring .....	1
5	933148	Spirol Pin 1/8 X 1/2 .....	1
6	6542	Grip-Lift Lever .....	1
7	105316	Rod Cap .....	2
8	4944	Plug Button .....	1
14	933507	Hairpin Cotter .....	2
15	920017	Washer 1 in SAE .....	2
16	106269	Bushing .....	2
17	106414	Retainer .....	1
18	1121	Key 1/4 Sq X 1 3/16 .....	1
19	106218	Bellcrank .....	1
20	6739	Trunnion .....	1
21	933504	Hairpin Cotter .....	1
22	106522	Lift Chain .....	1
23	915113	Eslok Nut 3/8-16 .....	1
24	908019	Bolt 5/16-18 X 1 .....	1
25	920008	Washer 5/16 .....	1
26	915112	Eslok Nut 5/16-18 .....	1
27	102373	Lift Bar .....	1
28	6229	Bearing .....	1
29	5701	E-Ring .....	1
30	105845	Tube-Rear Lift Cable .....	1
31	105528	Clamp-Tube .....	1
32	920083	Lockwasher 3/8 .....	2
33	908032	Bolt 3/8-16 X 3/4 .....	2
34	106354	Rod-Height Control .....	1
35	932016	Cotter Pin 1/8 X 3/4 .....	1
36	920228	Special Washer .....	1
37	106345	Height Control Casting .....	1
38	908019	Bolt 5/16-18 X 3/4 .....	3
39	106258	Sleeve .....	1
40	5280	Knob-Height Control .....	1
41	106411	Latch Bracket .....	1
42	926694	S.T. Bolt 5/16-18 X 5/8 .....	1
43	920008	Washer 5/16 SAE .....	2
44	915112	Eslok Nut 5/16-18 .....	3

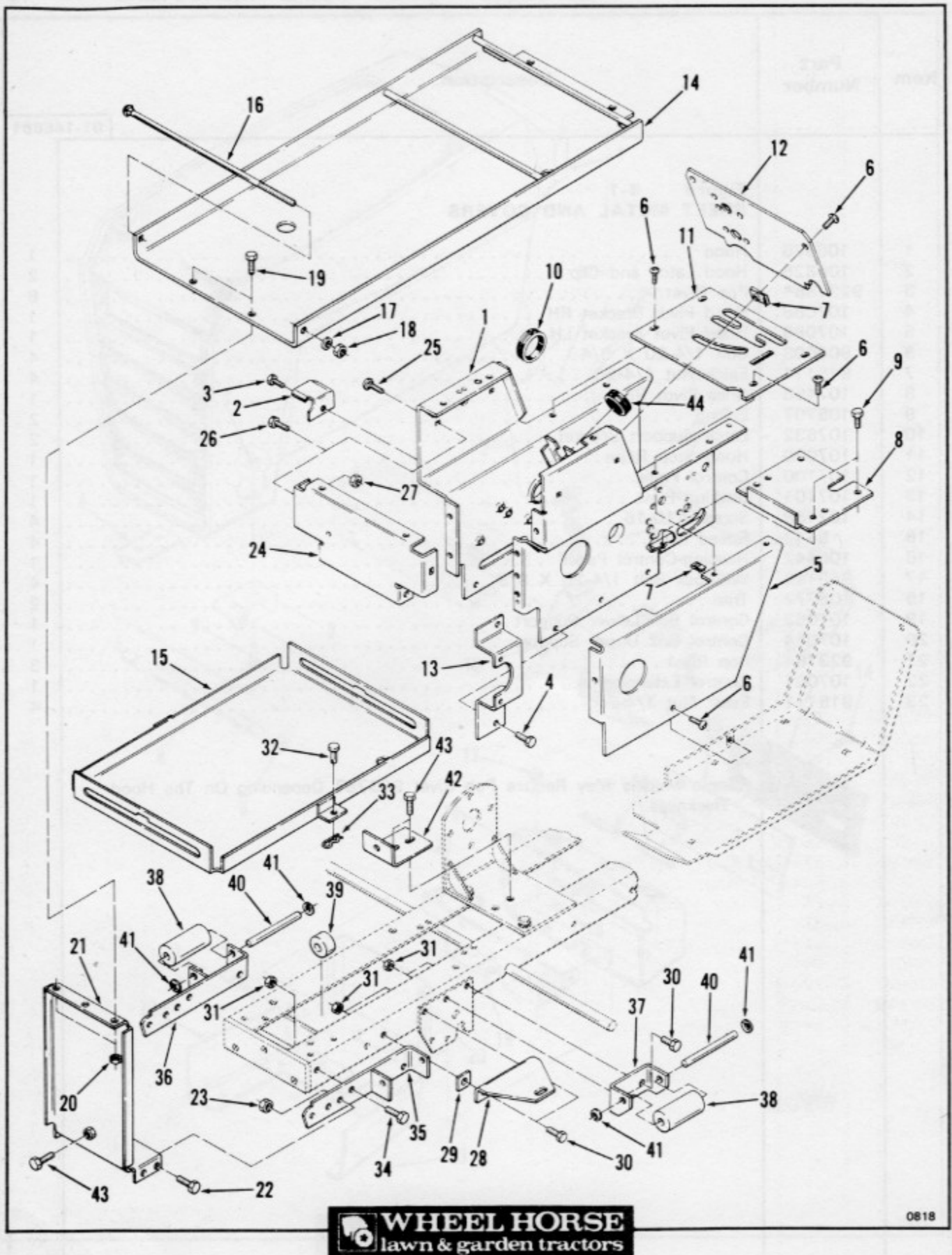


**WHEEL HORSE**  
lawn & garden tractors

0817

Figure 8-1 Sheet Metal and Covers

Item	Part Number	Description	
<b>01-14E801</b>			
<b>Figure 8-1 SHEET METAL AND COVERS</b>			
1	106976	Hood . . . . .	1
2	106825	Hood Latch and Clip . . . . .	2
3	923786*	Pop Rivet . . . . .	6
4	107088	Hood Pivot Bracket RH . . . . .	1
5	107089	Hood Pivot Bracket LH . . . . .	1
6	908003	Bolt 1/4-20 X 3/4 . . . . .	4
7	915111	Eslok Nut 1/4-20 . . . . .	4
8	107458	Grille Pivot Rod . . . . .	1
9	105797	E-Ring . . . . .	2
10	107632	Latch Support Bracket . . . . .	2
11	107090	Hood Stop Rope . . . . .	1
12	107100	Control Panel . . . . .	1
13	107101	Backing Plate . . . . .	1
14	102168	Screw #10-16 . . . . .	4
15	5442	Speed Nut . . . . .	4
16	106442	Housing-Control Panel . . . . .	1
17	960152	Whizlock Bolt 1/4-20 X 5/8 . . . . .	4
18	106772	Trim . . . . .	2
19	107063	Control Box Lower Support . . . . .	1
20	107064	Control Box Upper Support . . . . .	1
21	923784	Pop Rivet . . . . .	3
22	107061	Control Extension . . . . .	1
23	915111	Eslok Nut 1/4-20 . . . . .	4
<p>*Some Models May Require Pop Rivet 923787 Depending On The Hood Thickness.</p>			

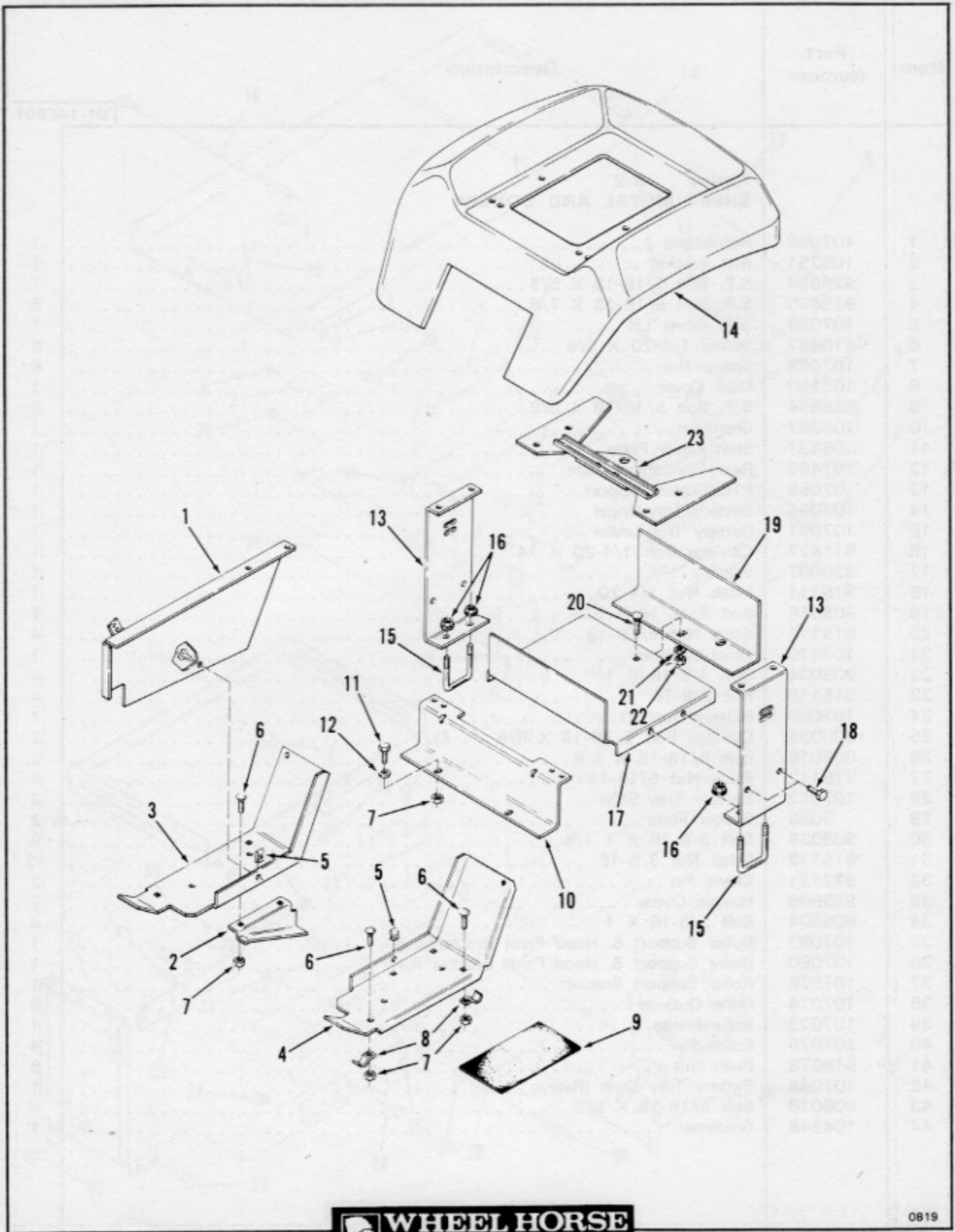


**WHEEL HORSE**  
lawn & garden tractors

0818

Figure 8-2 Sheet Metal and Covers

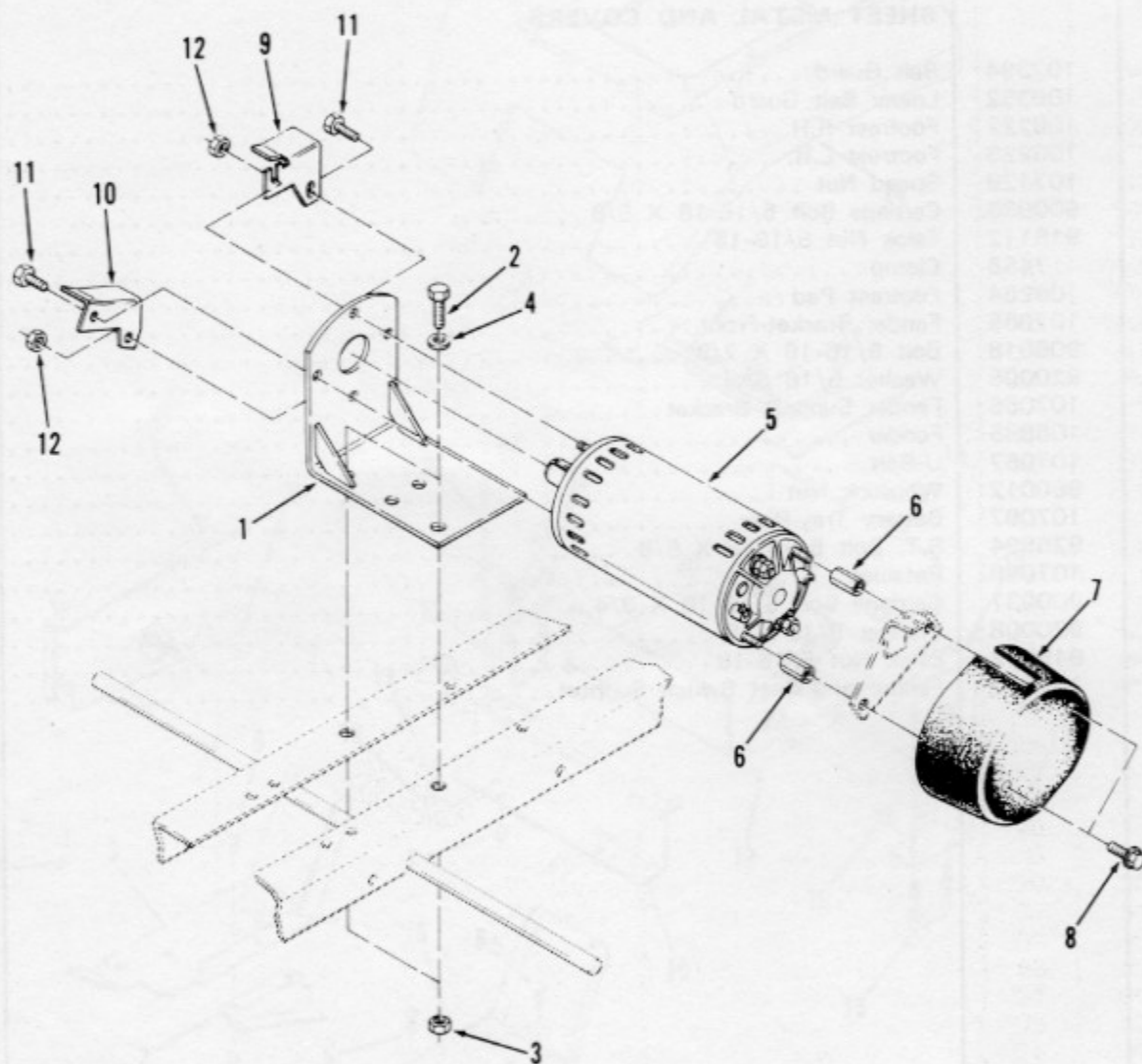
Item	Part Number	Description	
<b>01-14E801</b>			
<b>Figure 8-2</b>			
<b>SHEET METAL AND COVERS</b>			
1	107056	Hoodstand .....	1
2	106261	Belt Bracket .....	1
3	926694	S.T. Bolt 5/16-18 X 5/8 .....	1
4	926696	S.T. Bolt 5/16-18 X 7/8 .....	6
5	107068	Side Cover LH .....	1
6	910837	Screw 1/4-20 X 5/8 .....	6
7	107069	Speed Nut .....	6
8	106250	Dust Cover .....	1
9	926694	S.T. Bolt 5/16-18 X 5/8 .....	6
10	106267	Grommet .....	1
11	106831	Shift Cover Plate .....	1
12	107495	Rear Hoodstand Plate .....	1
13	107059	PTO Outlet Support .....	1
14	107094	Battery Tray-Upper .....	1
15	107091	Battery Tray-Lower .....	1
16	911427	Carriage Bolt 1/4-20 X 14 .....	1
17	920007	Washer 1/4 .....	1
18	915111	Eslok Nut 1/4-20 .....	1
19	908016	Bolt 5/16-18 X 5/8 .....	4
20	915112	Eslok Nut 5/16-18 .....	4
21	107170	Front Support .....	1
22	908034	Bolt 3/8-16 X 1 .....	4
23	915113	Nut 3/8-16 .....	4
24	107060	Battery Support .....	1
25	900036	Carriage Bolt 5/16-18 X 5/8 .....	2
26	908016	Bolt 5/16-18 X 5/8 .....	2
27	915112	Eslok Nut 5/16-18 .....	4
28	107052	Battery Tray Stop .....	2
29	9085	Spacer Plate .....	2
30	908035	Bolt 3/8-16 X 1 1/4 .....	8
31	915113	Eslok Nut 3/8-16 .....	12
32	932121	Clevis Pin .....	2
33	933505	Hairpin Cotter .....	2
34	908034	Bolt 3/8-16 X 1 .....	4
35	107081	Roller Support & Hood Pivot Bracket L.H. ....	1
36	107080	Roller Support & Hood Pivot Bracket R.H. ....	1
37	107075	Roller Support Bracket .....	1
38	107074	Roller-Outside .....	4
39	107073	Roller-Inside .....	1
40	107076	Roller Pin .....	4
41	518078	Push Nut .....	8
42	107086	Battery Tray Stop (Rear) .....	1
43	908016	Bolt 5/16-18 X 5/8 .....	4
44	104248	Grommet .....	1



0819

Figure 8-3 Sheet Metal and Covers

Item	Part Number	Description	
<b>01-14E801</b>			
<b>Figure 8-3 SHEET METAL AND COVERS</b>			
1	107394	Belt Guard .....	1
2	106352	Lower Belt Guard .....	1
3	106222	Footrest R.H. ....	1
4	106223	Footrest L.H. ....	1
5	107129	Speed Nut .....	2
6	900036	Carriage Bolt 5/16-18 X 5/8 .....	6
7	915112	Eslok Nut 5/16-18 .....	8
8	7456	Clamp .....	4
9	106264	Footrest Pad .....	2
10	107065	Fender Bracket-Front .....	1
11	908018	Bolt 5/16-18 X 7/8 .....	2
12	920008	Washer 5/16 SAE .....	2
13	107066	Fender Support Bracket .....	2
14	106835	Fender .....	1
15	107067	U-Bolt .....	2
16	960012	Whizlock Nut .....	4
17	107097	Battery Tray-Rear .....	1
18	926694	S.T. Bolt 5/16-18 X 5/8 .....	4
19	107098	Retainer .....	1
20	900037	Carriage Bolt 5/16-18 X 3/4 .....	1
21	920008	Washer 5/16 SAE .....	1
22	915112	Eslok Nut 5/16-18 .....	1
23	107313	Fender and Seat Switch Support .....	1

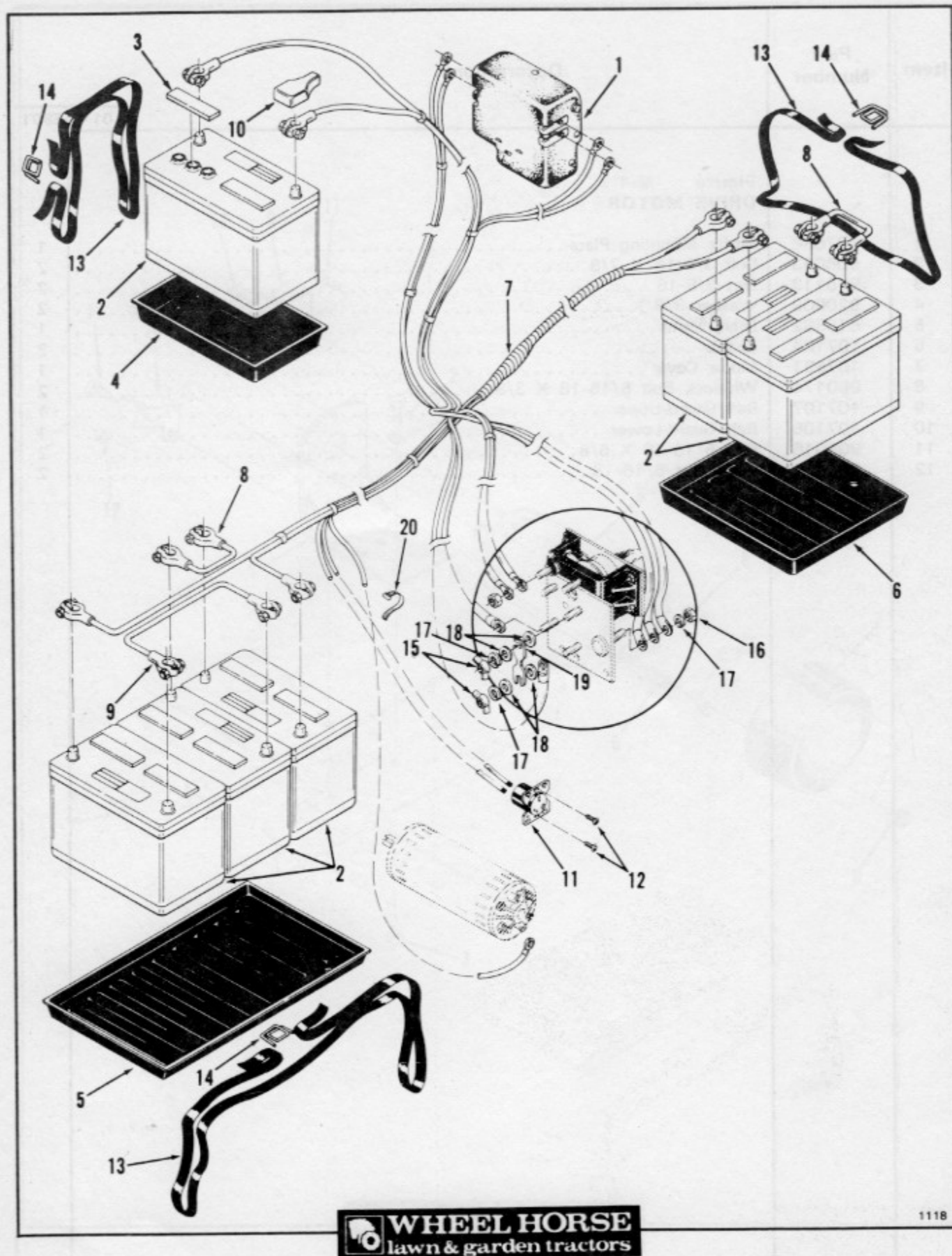


 **WHEEL HORSE**  
lawn & garden tractors

0932

Figure 9-1 Drive Motor

Item	Part Number	Description	
<b>01-14E801</b>			
<b>Figure 9-1</b>			
<b>DRIVE MOTOR</b>			
1	107082	Motor Mounting Plate .....	1
2	908033	Bolt 3/8-16 X 7/8 .....	2
3	915113	Nut 3/8-16 .....	2
4	920009	Washer 3/8 .....	2
5	516582	Drive Motor .....	1
6	107104	Spacer .....	2
7	107631	Motor Cover .....	1
8	960174	Whizlock Bolt 5/16-18 X 3/8 .....	2
9	107107	Belt Guard-Upper .....	1
10	107106	Belt Guard-Lower .....	1
11	908016	Bolt 5/16-18 X 5/8 .....	2
12	915112	Eslok Nut 5/16-18 .....	2



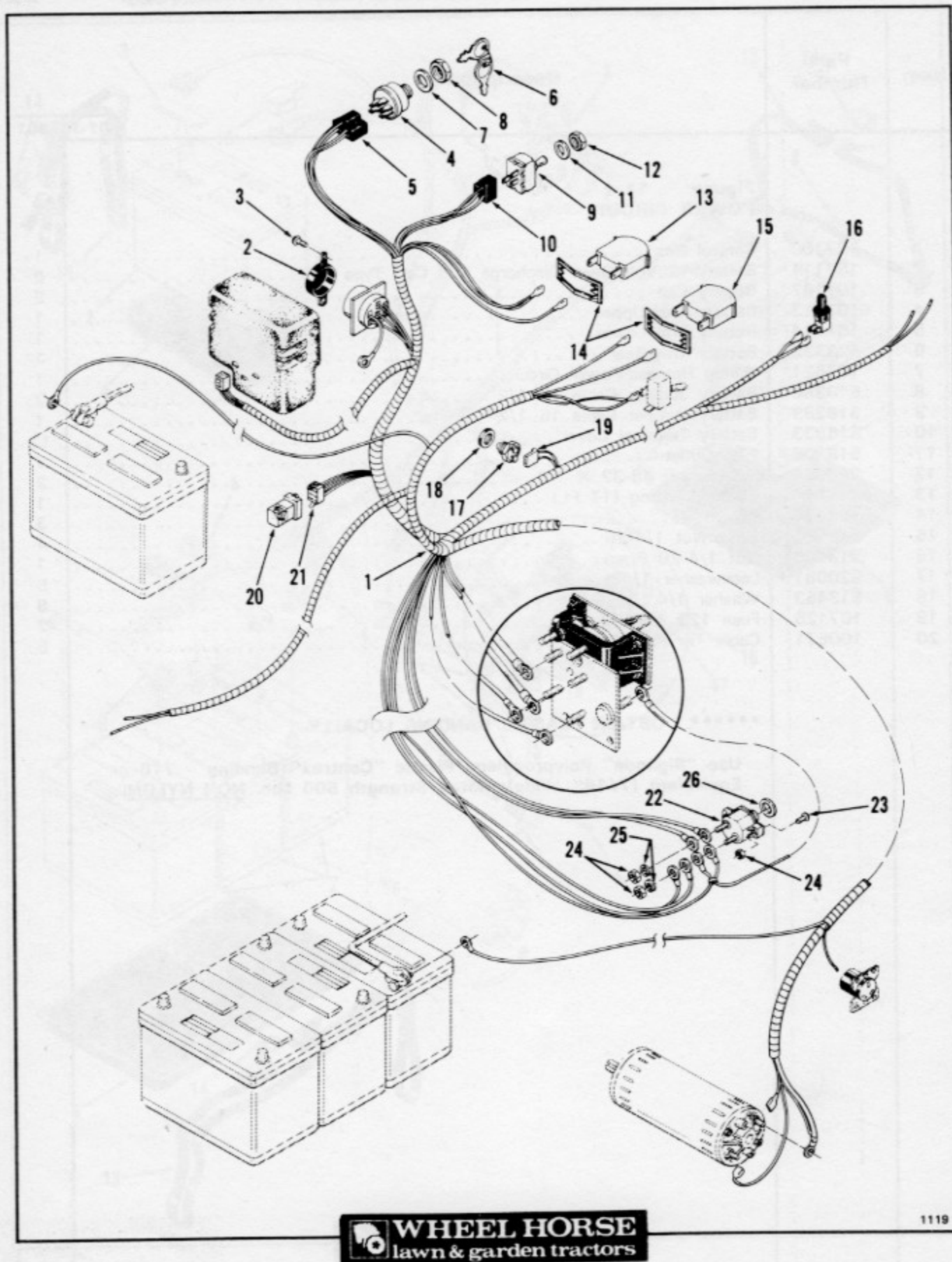
**WHEEL HORSE**  
lawn & garden tractors

1118

Figure 11-1 Power Circuit

01-14E801

Item	Part Number	Description	
<b>Figure 11-1 POWER CIRCUIT</b>			
1	107109	Control Box .....	1
2	107111	Battery-12 Volt Deep Discharge Golf Cart Type .....	6
3	107167	Battery Cap .....	2
4	107113	Battery Tray-Upper .....	1
5	107114	Battery Tray-Lower .....	1
6	523332	Battery Tray-Rear .....	1
7	107621	Wiring Harness-Power Circuit .....	1
8	516380	Battery Jumper Cable 10 1/2" .....	2
9	516389	Battery Jumper Cable 16 1/2" .....	1
10	516333	Battery Terminal Cover .....	12
11	518108	PTO Outlet .....	1
12	913258	S.T. Screw #8-32 X 1/2 .....	2
13	*****	Plastic Banding (17 Ft.) .....	1
14	107127	Clip .....	3
15	915584	Wing Nut 1/4-20 .....	4
16	513405	Nut 1/4-20 Brass .....	1
17	920081	Lockwasher 1/4 .....	5
18	513453	Washer 1/4 .....	8
19	107126	Fuse 125 Amp .....	2
20	100571	Cable Tie .....	5
<b>***** OBTAIN PLASTIC BANDING LOCALLY</b>			
Use "Signode" Polypropylene Plastic "Contrax" Banding - 716 or Equivalent (7/16" Wide); Rated Strength 500 Lbs. <u>NON NYLON!</u>			



**WHEEL HORSE**  
lawn & garden tractors

1119

Figure 11-2 Control Circuit

Item	Part Number	Description	
<b>01-14E801</b>			
<b>Figure 11-2 CONTROL CIRCUIT</b>			
1	107622	Wiring Harness-Control Circuit .....	1
2	107247	Charger Receptacle Cover .....	1
3	100609	Shoulder Bolt .....	1
4	103990	Ignition Switch .....	1
5	105302	Connector Body-Ignition Switch .....	1
6	7262	Ignition Key-Set of 2 .....	1
7	920160	Internal Tooth Lockwasher 5/8 .....	1
8	101884	Special Nut .....	1
9	104271	PTO Switch .....	1
10	107628	Connector Body .....	1
11	920158	Internal Tooth Lockwasher 1/2 .....	1
12	104327	Special Nut .....	1
13	104946	Fuel Level Meter .....	1
14	104947	Clip .....	2
15	107102	Battery Balance Meter .....	1
16	107072	Seat Switch .....	1
17	105877	Interlock Switch-Transmission .....	1
18	102277	Special Nut .....	1
19	106024	Connector Body-Interlock Switch .....	1
20	107099	Resistor Module .....	1
21	518097	Connector Housing-Resistor Module .....	1
22	518390	Circuit Breaker .....	1
23	911756	Screw #10-32 X 5/8 Sems .....	5
24	915551	Nut #10-32 .....	4
25	920079	Lockwasher #10 .....	2
26	107242	Neoprene Washer 5/16 .....	1

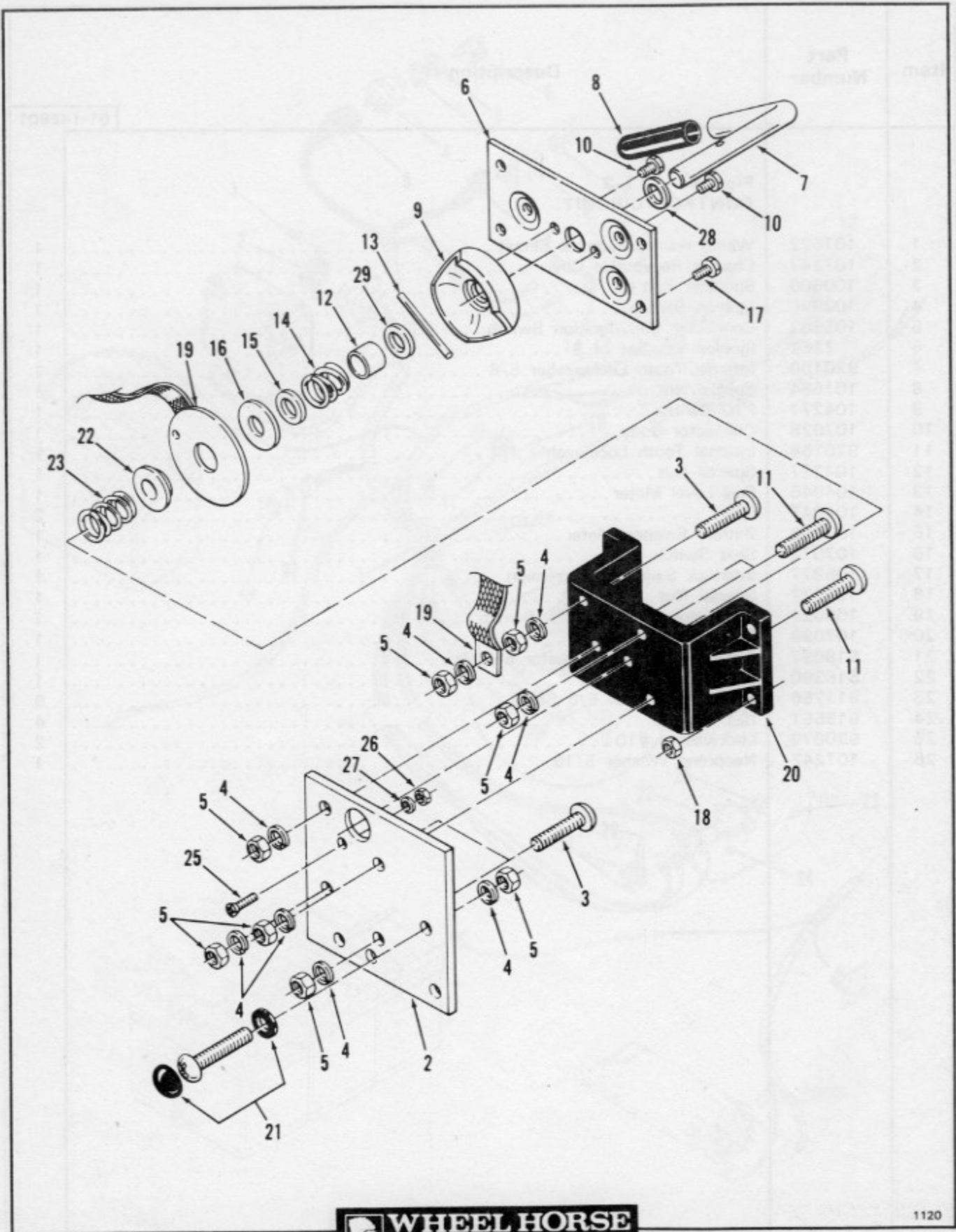


Figure 11-3 Power Disconnect Assembly

Item	Part Number	Description	
<b>01-14E801</b>			
<b>Figure 11-3</b>			
<b>POWER DISCONNECT ASSEMBLY</b>			
1	107108	Power Disconnect Assembly .....	1
2	107163	Terminal Block .....	1
3	513736	Bolt 1/4-20 X 1 1/4 Brass .....	4
4	920081	Lockwasher 1/4 .....	8
5	513405	Brass Jam Nut 1/4-20 .....	8
6	107377	Disconnect Plate .....	1
7	518251	Switch Handle .....	1
8	519189	Hand Grip .....	1
9	107165	Plastic Cam .....	1
10	913252	Self Tapping Screw #6 X 3/8 .....	2
11	517802	Bolt, Copper Contact .....	3
12	523169	Sleeve .....	1
13	933160	Roll Pin .....	1
14	517808	Spring .....	1
15	513457	Washer .....	1
16	517803	Fibre Washer .....	1
17	910764	Screw #6-32 X 1/2" Phillips .....	4
18	915534	Nut #6-32 .....	4
19	107166	Contact Disc .....	1
20	523152	Switch Housing .....	1
21	107172	Plastic Cover & Washer .....	1
22	517801	Shoulder Washer-Fibre .....	1
23	517809	Spring .....	1
25	910478	Screw #4-40 X 1 1/4" .....	1
26	915534	Nut #4-40 .....	1
27	920075	Lockwasher #4 .....	1
28	107242	Neoprene Washer 5/16 I.D. ....	1
29	920083	Lockwasher 5/16 .....	1

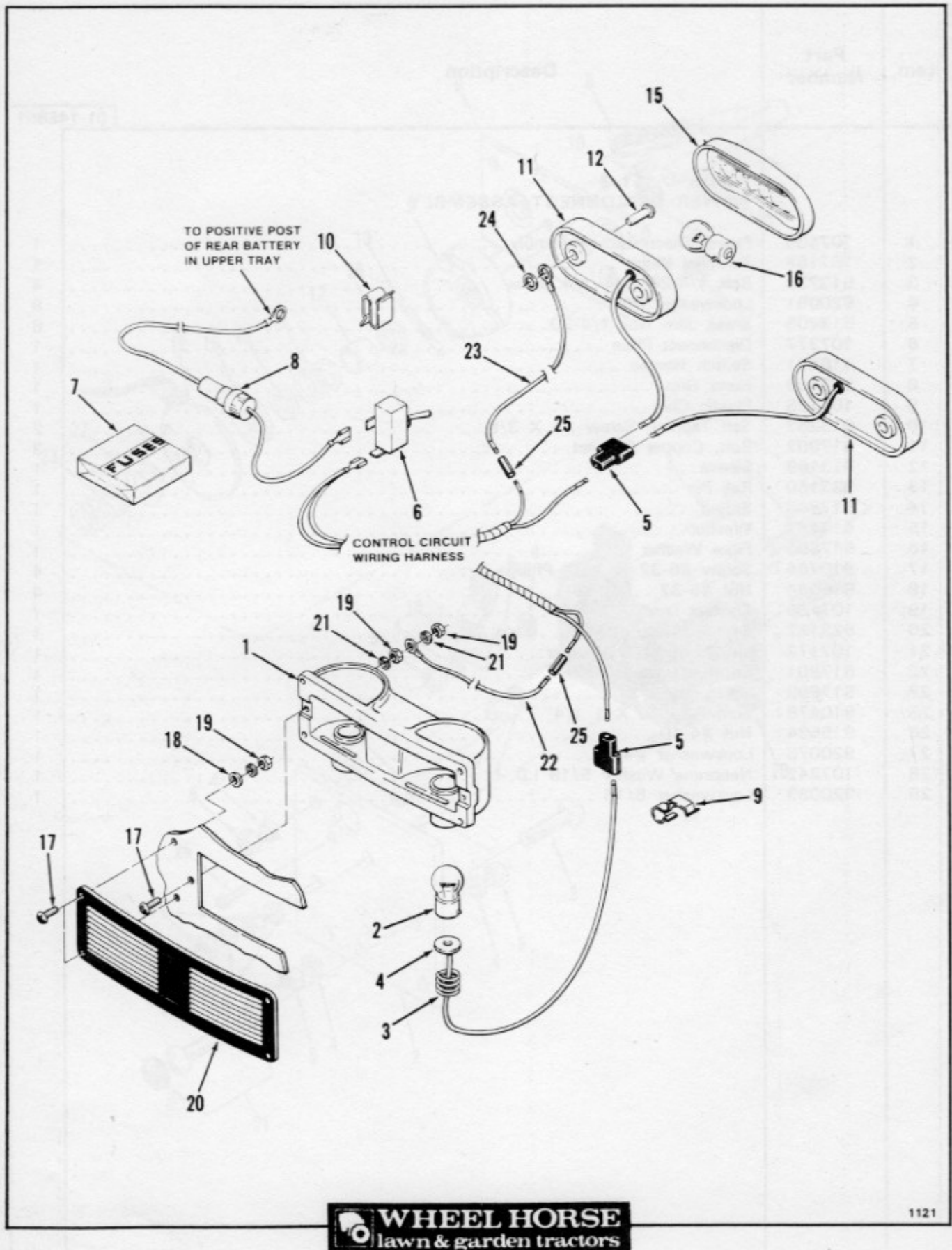
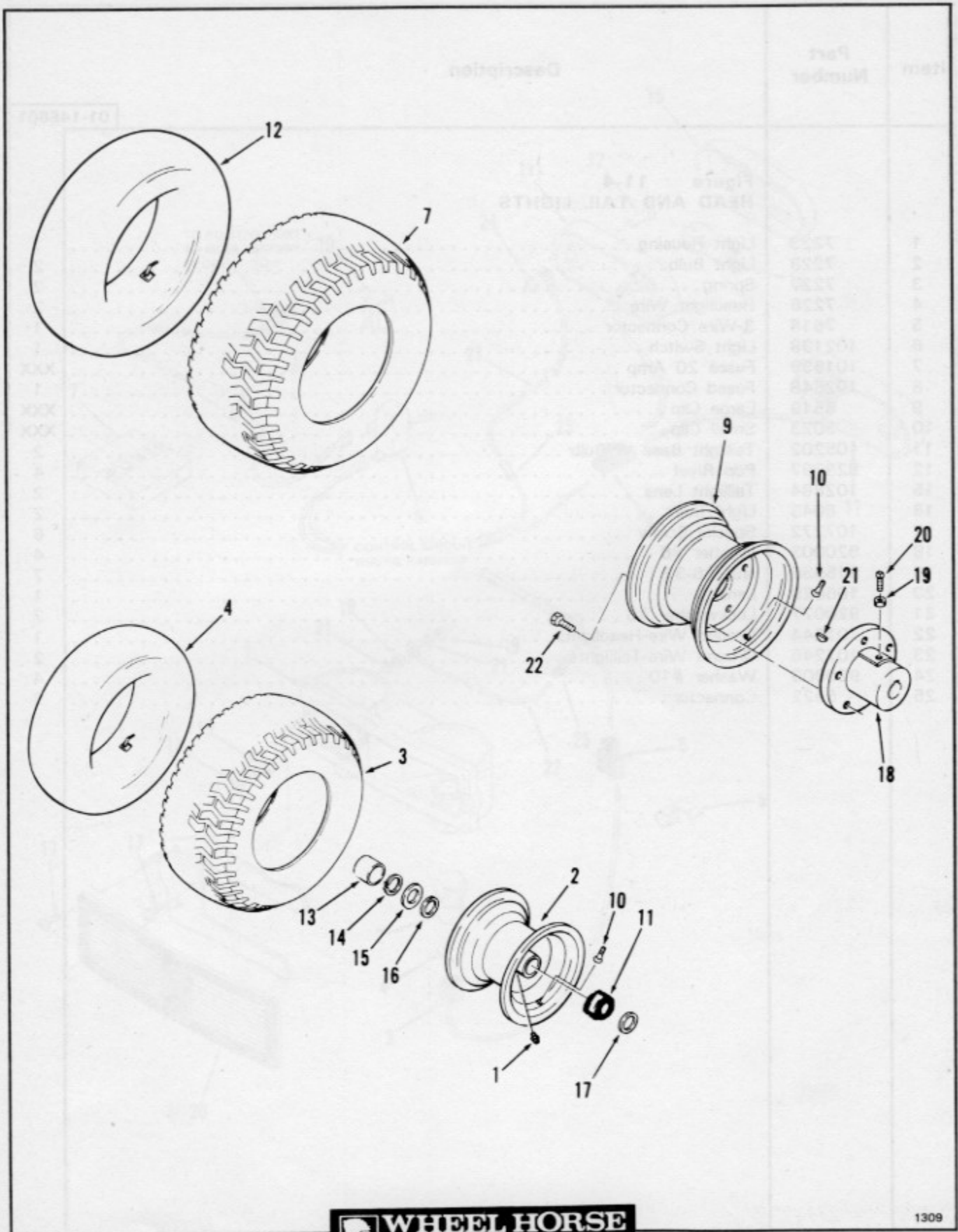


Figure 11-4 Head and Tail Lights

Item	Part Number	Description	
<b>01-14E801</b>			
<b>Figure 11-4</b>			
<b>HEAD AND TAIL LIGHTS</b>			
1	7223	Light Housing . . . . .	1
2	7228	Light Bulb . . . . .	2
3	7227	Spring . . . . .	2
4	7226	Headlight Wire . . . . .	2
5	7618	3-Wire Connector . . . . .	1
6	102138	Light Switch . . . . .	1
7	101639	Fuses 20 Amp . . . . .	XXX
8	102648	Fused Connector . . . . .	1
9	8519	Large Clip . . . . .	XXX
10	3023	Small Clip . . . . .	XXX
11	105202	Taillight Base W/Bulb . . . . .	2
12	923797	Pop Rivet . . . . .	4
15	102884	Taillight Lens . . . . .	2
16	8043	Light Bulb . . . . .	2
17	107272	Special Screw . . . . .	6
18	920003	Washer #6 . . . . .	4
19	915536	Nut #6-32 . . . . .	7
20	106829	Lens . . . . .	1
21	920077	Lockwasher #6 . . . . .	7
22	107244	Ground Wire-Headlights . . . . .	1
23	107245	Ground Wire-Taillights . . . . .	2
24	920005	Washer #10 . . . . .	4
25	6922	Connector . . . . .	2



1309

Figure 13-1 Wheels and Tires

01-14E801

**Figure 13-1**  
**WHEELS AND TIRES**

Item	Part Number	Description	
1	1030	Grease Fitting .....	2
2	107123	Front Wheel .....	2
3	9792	Front Tire 16 X 6:50-8 .....	2
4	5512	Tube-Service Only .....	2
7	5434	Rear Tire 23 X 8:50-12 .....	2
9	5433	Rear Wheel .....	2
10	5108	Valve Stem .....	2
11	107124	Ball Bearing .....	4
12	7007	Tube-Service Only .....	2
13	104398	Hub Cap .....	2
14	104822	Special Heavy Duty Snap Ring .....	2
15	920015	Washer 3/4 SAE .....	2
16	1278	Shim Washer 3/4 X .050 .....	XXX
17	5210	Shim Washer 3/4 X .015 .....	XXX
18	105763	Hub-Rear Wheel .....	2
19	915236	Nut 3/8-16 Free Running .....	2
20	909554	Set Screw 3/8-16 X 1 Sq HD .....	2
21	937108	Woodruff Key 1/4 X 1 3/8 .....	2
22	1004	Lug Bolt .....	10

WHEEL HORSE  
A Division of Wheel Horse Products, Inc.

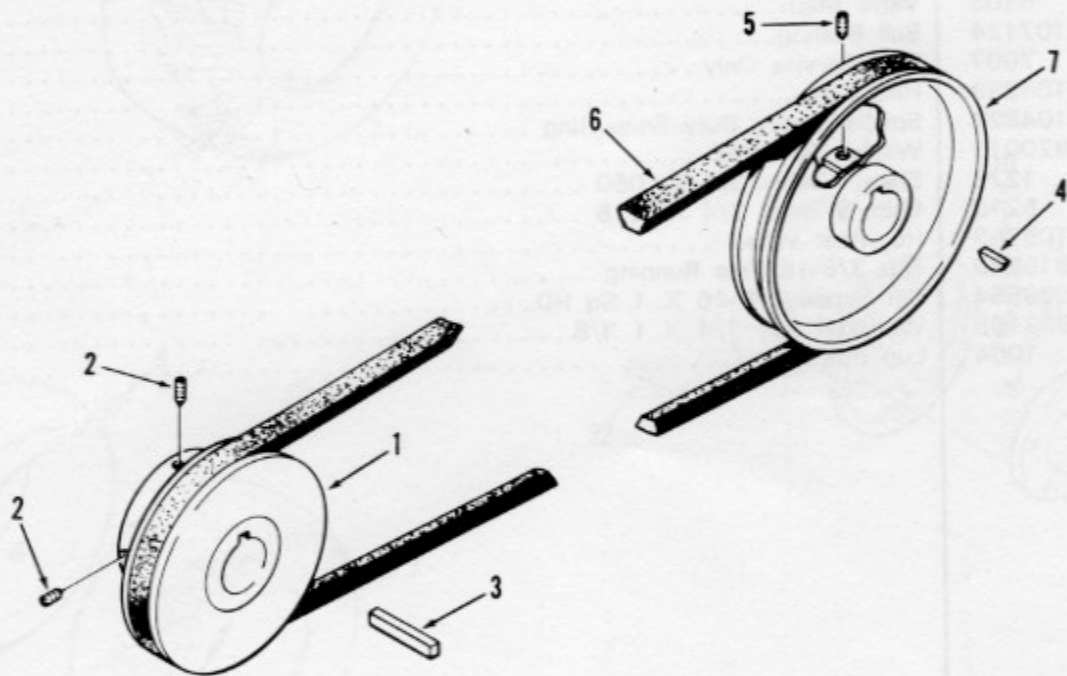
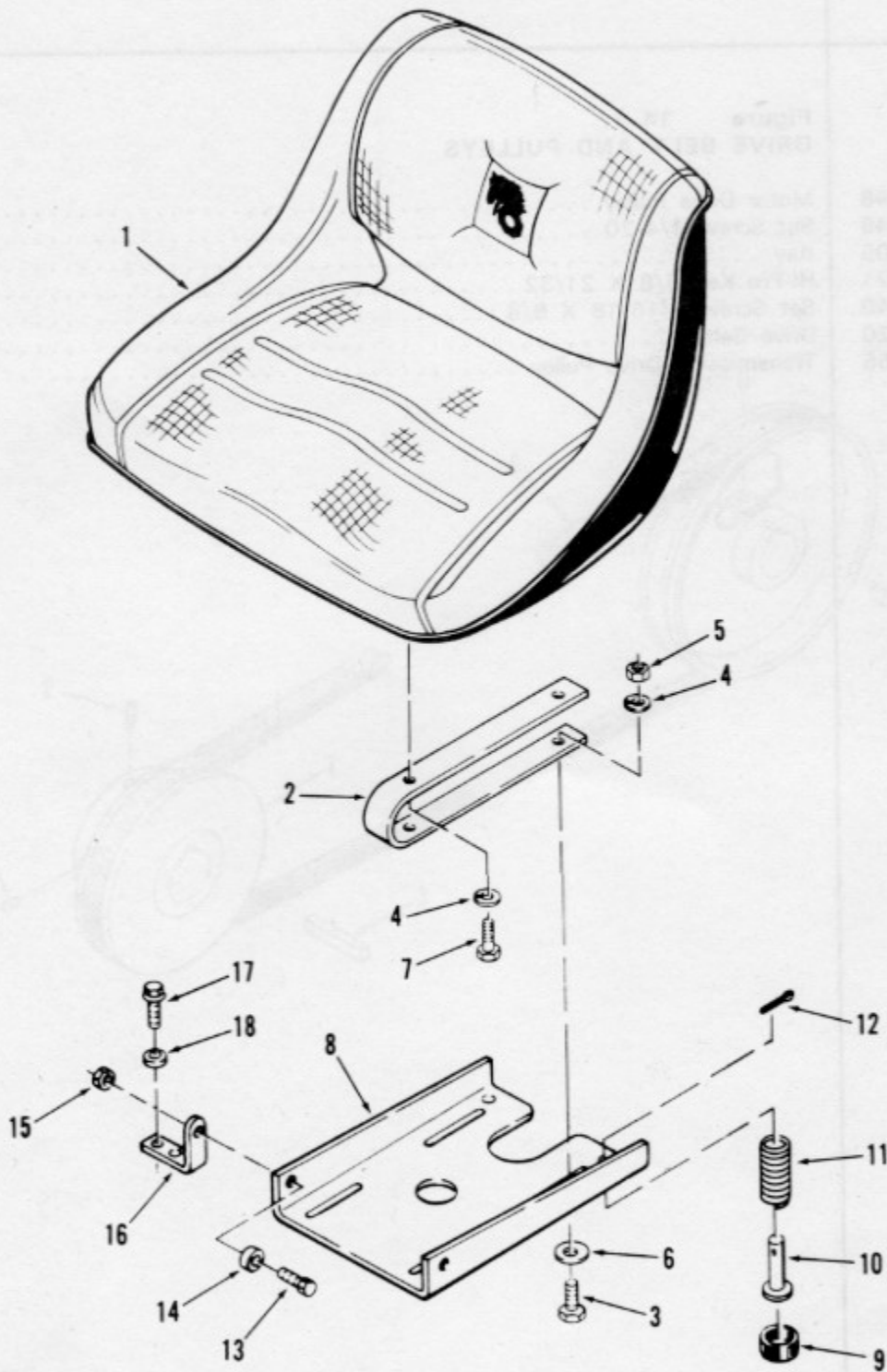


Figure 14-1 Drive Belt and Pulleys

Item	Part Number	Description
<b>01-14E801</b>		
<b>Figure 14-1 DRIVE BELT AND PULLEYS</b>		
1	107246	Motor Drive Pulley .....
2	909849	Set Screw 1/4-20 .....
3	1005	Key .....
4	937221	Hi-Pro Key 5/8 X 21/32 .....
5	908540	Set Screw 5/16-18 X 5/8 .....
6	107120	Drive Belt .....
7	106165	Transmission Drive Pulley .....

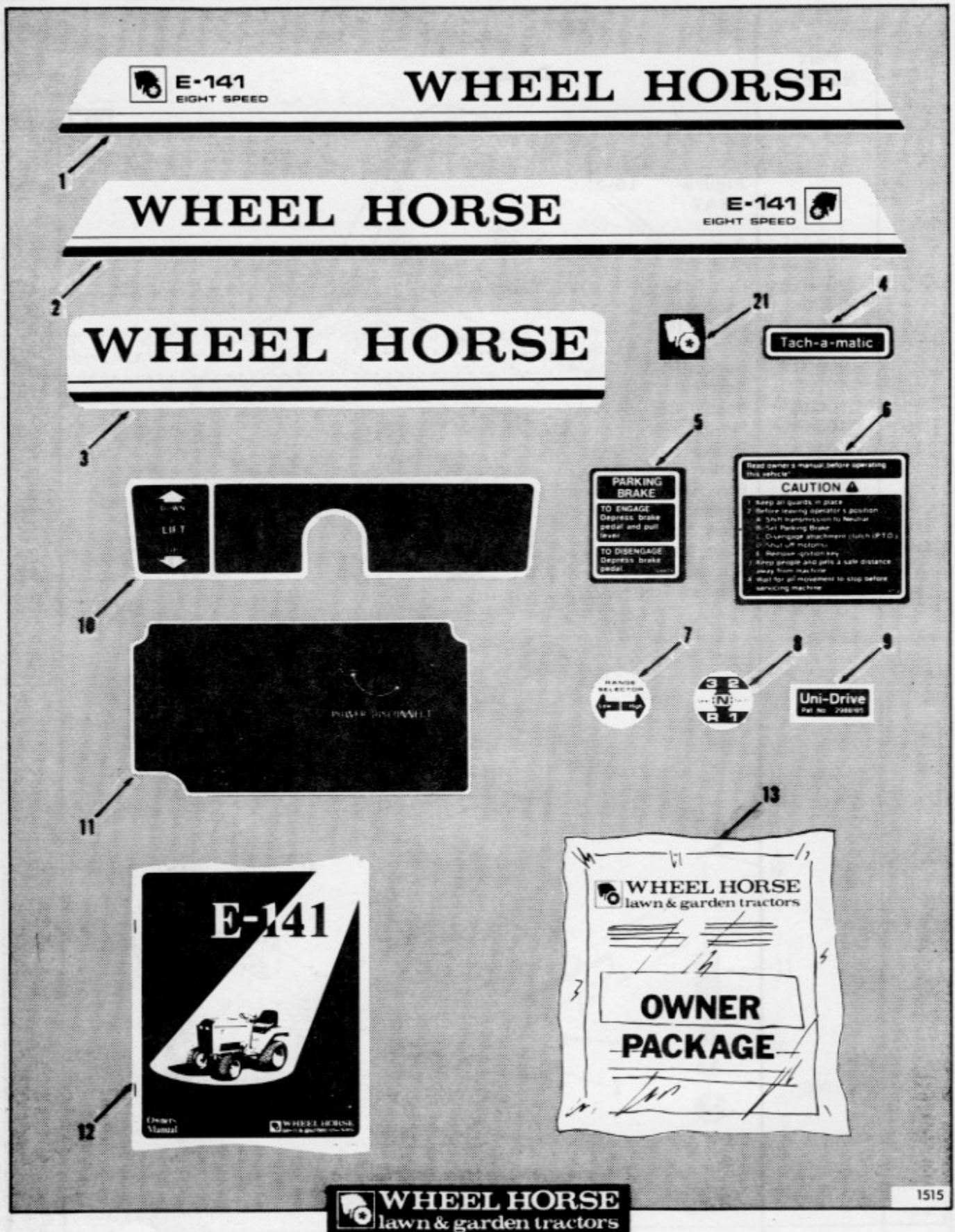


**WHEEL HORSE**  
lawn & garden tractors

1509

Figure 15-1 Seat

Item	Part Number	Description	
<b>01-14E801</b>			
<b>Figure 15-1</b>			
<b>SEAT</b>			
1	106145	Seat .....	1
2	103145	Seat Spring .....	2
3	908018	Bolt 5/16-18 X 7/8 .....	4
4	920082	Lockwasher 5/16 .....	8
5	915112	Nut 5/16-18 .....	4
6	920038	Washer 5/16 U.S. ....	4
7	908017	Bolt 5/16-18 X 3/4 .....	4
8	107070	Seat Pivot Plate .....	1
9	106331	Rubber Cap .....	2
10	106449	Pin .....	2
11	104841	Spring .....	2
12	932008	Cotter Pin 3/32 X 3/4 .....	2
13	908018	Bolt 5/16-18 X 7/8 .....	2
14	105503	Bushing .....	2
15	915112	Eslok Nut 5/16-18 .....	2
16	105524	Pivot Bracket .....	2
17	926696	S.T. Bolt 5/16-18 X 7/8 .....	4
18	920008	Washer 5/16 SAE .....	4



**WHEEL HORSE**  
lawn & garden tractors

1515

Figure 15-2 Decals

Item	Part Number	Description	
			01-14E801
<b>Figure 15-2 DECALS</b>			
1	106745	Decal LH E-141 8-Speed .....	1
2	106744	Decal RH E-141 8-Speed .....	1
3	106601	Decal-Rear .....	1
4	106722	Decal-Tach-A-Matic .....	2
5	106603	Decal-Parking Brake .....	1
6	106712	Decal-Caution .....	1
7	106738	Decal-HI Low Shift .....	1
8	106737	Decal-4 Speed Shift .....	1
9	104955	Decal-Uni Drive .....	1
10	106743	Decal-Control Housing .....	1
11	107709	Decal-Rear Plate .....	1
12	810002R1	Tractor Owner's Manual .....	XXX
13	803236	Loose Parts Package E-141 .....	XXX
21	251053	Decal-Wheel Horse Logo .....	XXX
<b>NOT SHOWN</b>			
	107407	Decal-Battery Black-Out .....	6

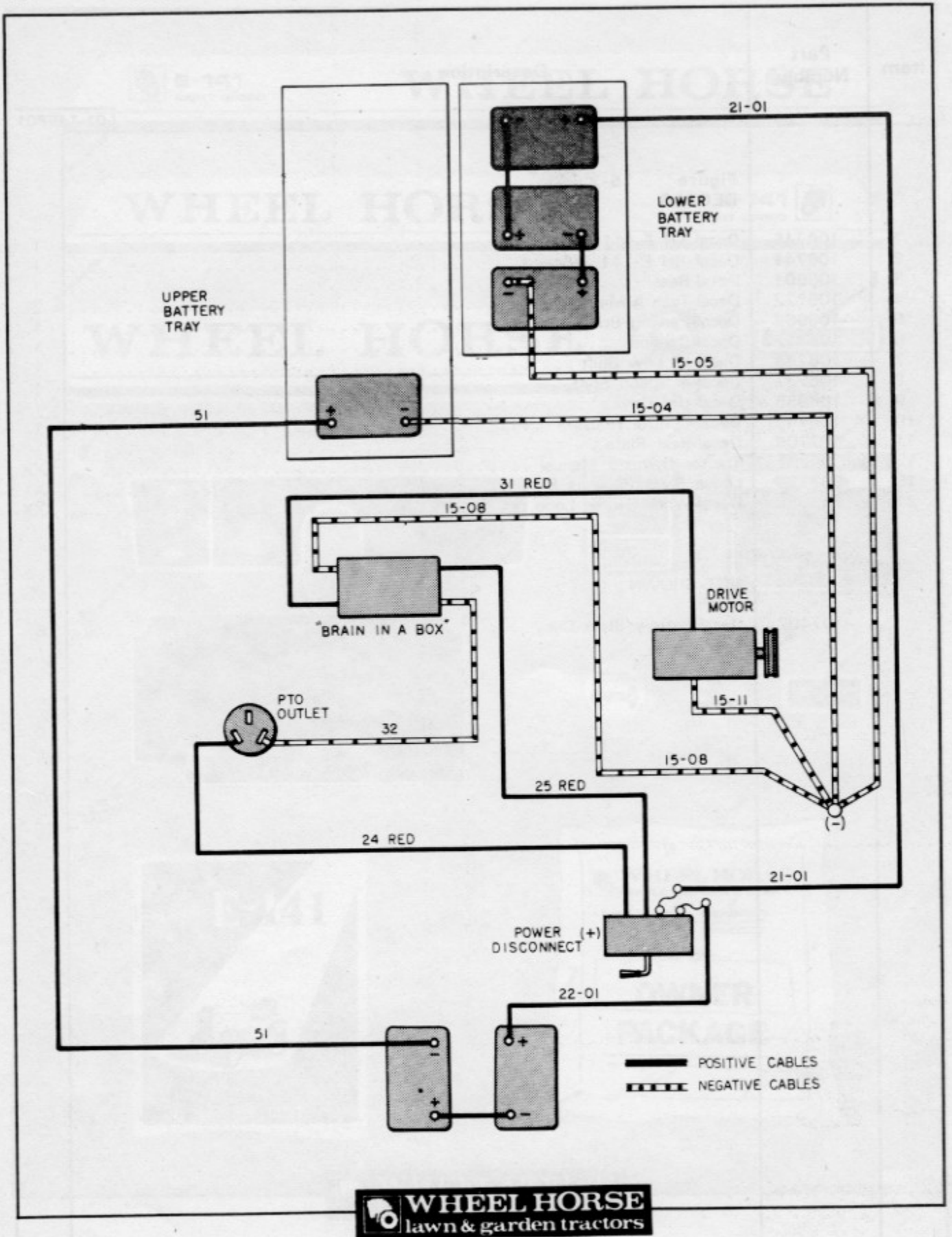
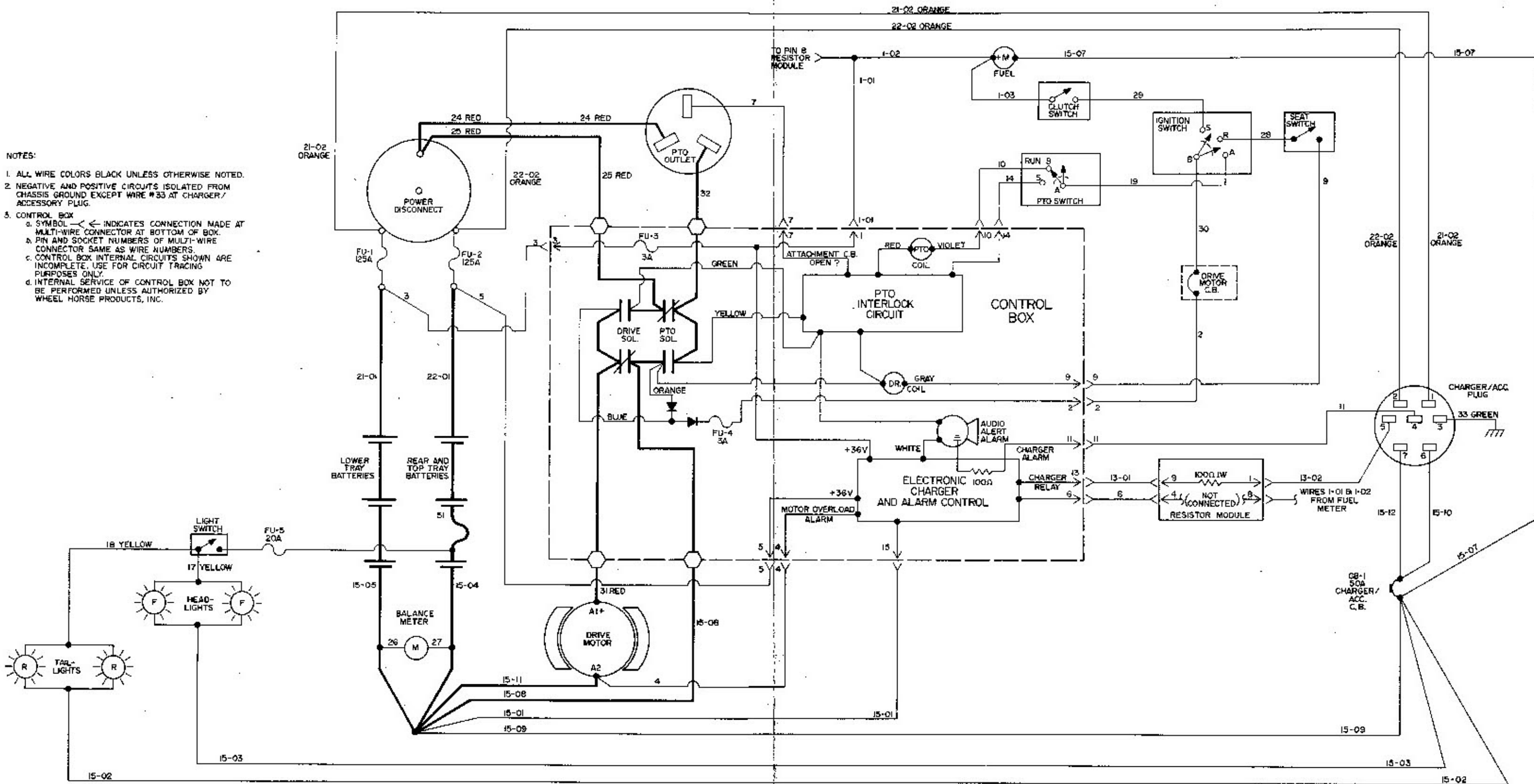


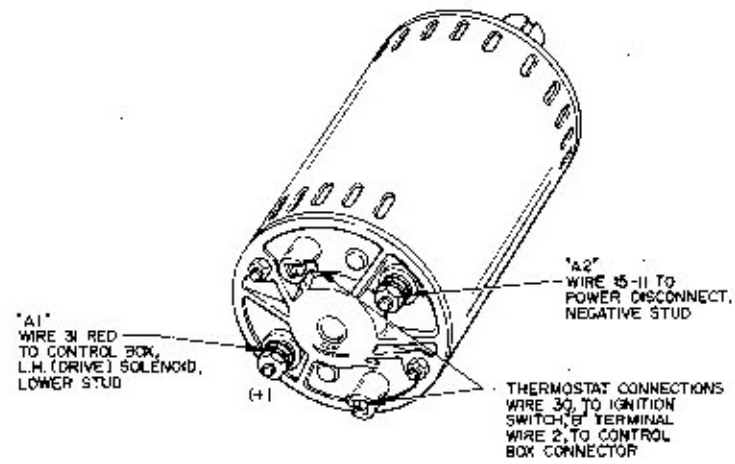
Figure 16-1 Wiring Diagram - Power Circuit

NOTES:

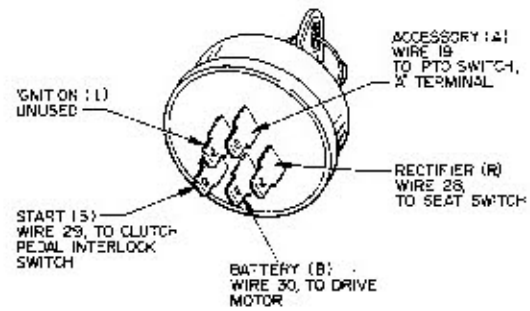
1. ALL WIRE COLORS BLACK UNLESS OTHERWISE NOTED.
2. NEGATIVE AND POSITIVE CIRCUITS ISOLATED FROM CHASSIS GROUND EXCEPT WIRE #33 AT CHARGER/ACCESSORY PLUG.
3. CONTROL BOX
  - a. SYMBOL  $\leftarrow$  INDICATES CONNECTION MADE AT MULTI-WIRE CONNECTOR AT BOTTOM OF BOX.
  - b. PIN AND SOCKET NUMBERS OF MULTI-WIRE CONNECTOR SAME AS WIRE NUMBERS.
  - c. CONTROL BOX INTERNAL CIRCUITS SHOWN ARE INCOMPLETE. USE FOR CIRCUIT TRACING PURPOSES ONLY.
  - d. INTERNAL SERVICE OF CONTROL BOX NOT TO BE PERFORMED UNLESS AUTHORIZED BY WHEEL HORSE PRODUCTS, INC.



### DRIVE MOTOR CONNECTIONS

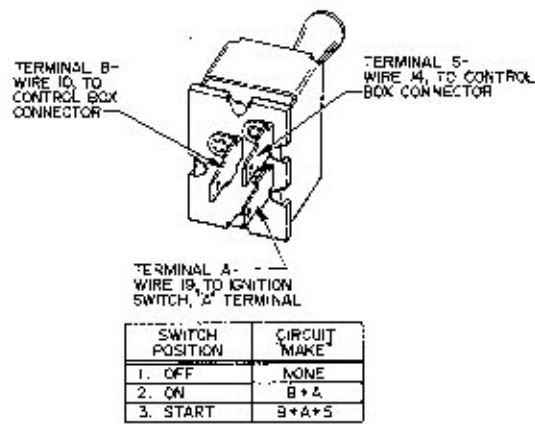


### IGNITION SWITCH CONNECTIONS



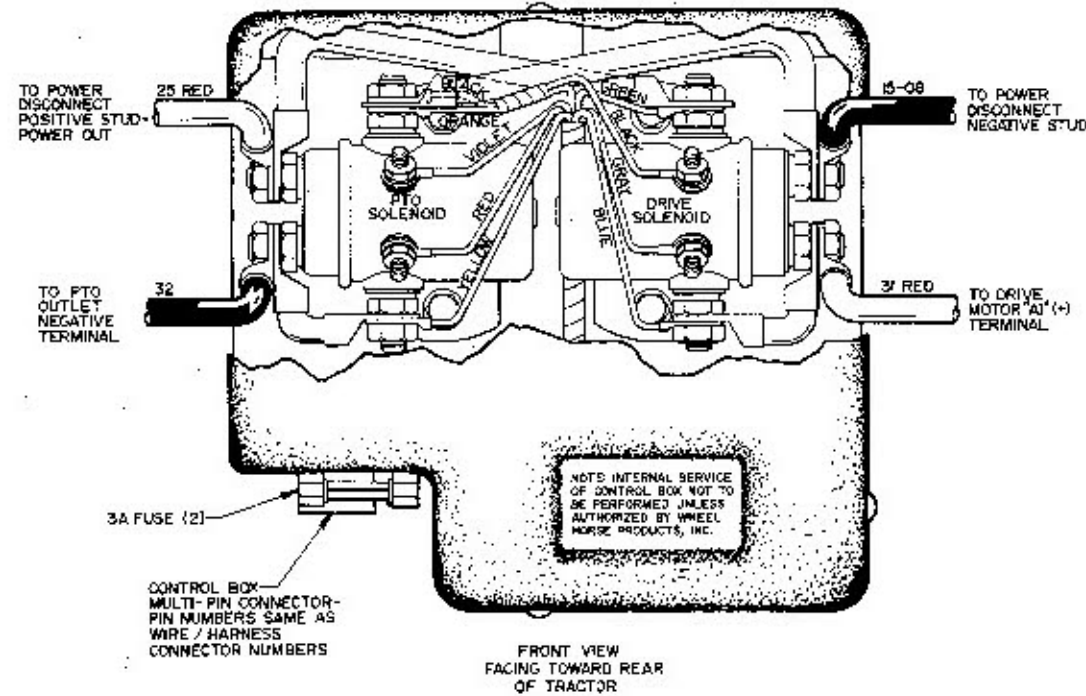
SWITCH POSITION	C. R. C. MAKE
1. OFF	NONE
2. RUN	B+R+I+A
3. START	B+R+I+S

### PTO SWITCH CONNECTIONS

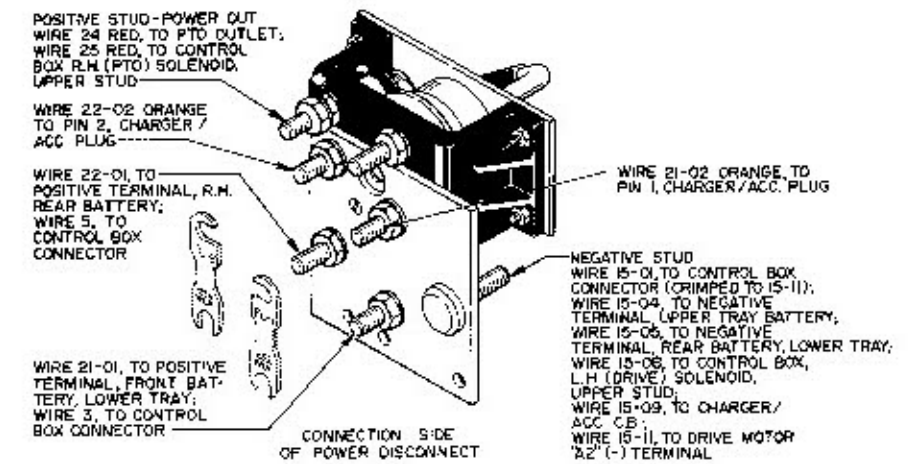


SWITCH POSITION	CIRCUIT MAKE
1. OFF	NONE
2. ON	B+A
3. START	B+A+S

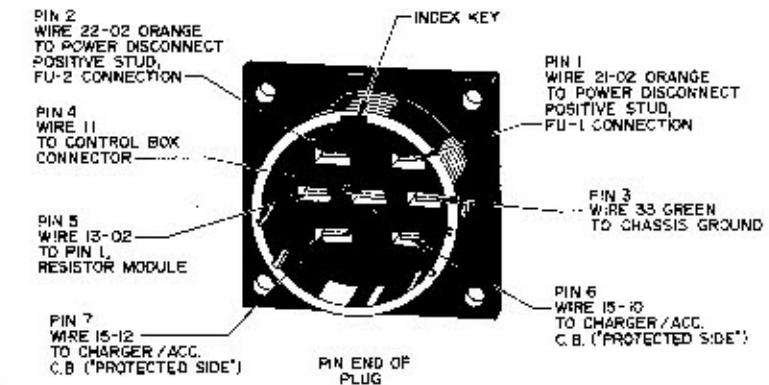
### CONTROL BOX WIRING



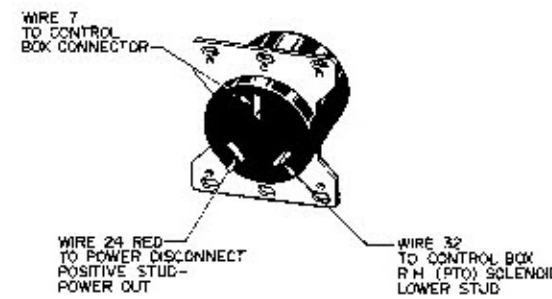
### POWER DISCONNECT SWITCH CONNECTIONS



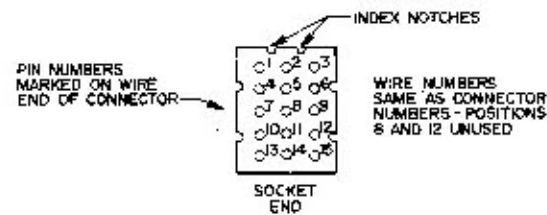
### CHARGER / ACCESSORY PLUG CONNECTIONS



### PTO OUTLET CONNECTIONS

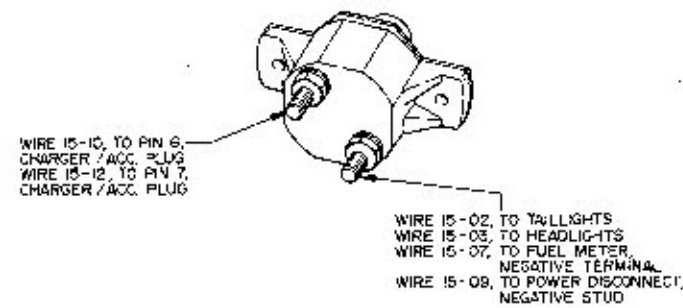


### WIRING HARNESS CONTROL BOX CONNECTOR

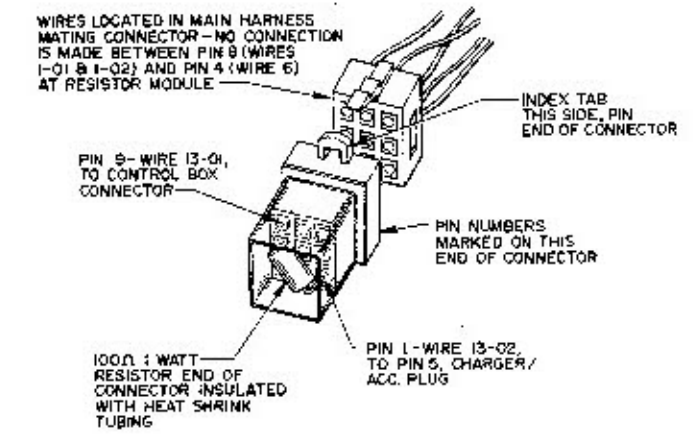


WIRE NUMBER	TO
1-01	PIN 9, RESISTOR MODULE
2	DRIVE MOTOR C.B.
3	FU-1, BATTERY SIDE
4	DRIVE MOTOR "A2" (-) TERMINAL
5	FU-2, BATTERY SIDE
6	PIN 4, RESISTOR MODULE
7	PTO OUTLET, CENTER (TOP) TERMINAL
9	SEAT SWITCH
10	PTO SWITCH "B" TERMINAL
11	PIN 4, CHARGER / ACCESSORY PLUG
13-01	PIN 9, RESISTOR MODULE
14	PTO SWITCH "S" TERMINAL
15-01	POWER DISCONNECT NEGATIVE STUD, CRIMPED TO WIRE 15-11

### CHARGER / ACCESSORY CIRCUIT BREAKER CONNECTIONS



### RESISTOR MODULE CONNECTIONS



Description	Figure No.	Description	Figure No.
3-Wire Connector	11-4	Brake Band	6-1
Allen HD Pipe Plug	3-1	Brake Drum	6-1
Assembly 8-Speed Transmission	3-1	Brake Rod-Front	6-1
Back-Up Plate	6-1	Brake Rod-Rear	6-1
Backing Plate	8-1	Brass Jam Nut 1/4-20	11-3
Ball Bearing	3-1	Bronze Bushing	3-1
Ball Bearing	13-1	Bushing	6-1
Battery Balance Meter	11-2	Bushing	7-2
Battery Cap	11-1	Bushing	15-1
Battery Jumper Cable 10 1/2"	11-1	Bushing-Reverse Idler	3-1
Battery Jumper Cable 16 1/2"	11-1	Cable Tie	11-1
Battery Support	8-2	Cap-Lock Rod	7-1
Battery Terminal Cover	11-1	Carriage Bolt 1/4-20 X 14	8-2
Battery Tray Stop	8-2	Carriage Bolt 3/8-16 X 5/8	1-1
Battery Tray Stop (Rear)	8-2	Carriage Bolt 5/16-18 X 3/4	8-3
Battery Tray-Lower	8-2	Carriage Bolt 5/16-18 X 5/8	8-2
Battery Tray-Lower	11-1	Carriage Bolt 5/16-18 X 5/8	8-3
Battery Tray-Rear	8-3	Case-Transmission LH	3-1
Battery Tray-Rear	11-1	Case-Transmission RH	3-1
Battery Tray-Upper	8-2	Charger Receptacle Cover	11-2
Battery Tray-Upper	11-1	Circuit Breaker	11-2
Battery-12 Volt Deep Discharge Golf Cart Type	11-1	Clamp	8-3
Bearing	7-2	Clamp-Tube	7-2
Bearing-Lower Steering Shaft	5-1	Clevis Pin	8-2
Bearing-Upper Steering Shaft	5-1	Clip	11-1
Bell Crank-Brake Linkage	6-1	Clip	11-2
Bellcrank	7-2	Cluster Gear With Bushings	3-1
Belt Bracket	8-2	Cluster Shaft	3-1
Belt Guard	8-3	Clutch Idler Arm	6-1
Belt Guard-Lower	9-1	Clutch Rod	6-1
Belt Guard-Upper	9-1	Clutch Rod Arm	6-1
Bolt 1/4-20 X 1 1/4 Brass	11-3	Collar	3-2
Bolt 1/4-20 X 3/4	8-1	Collar	6-1
Bolt 1/4-20 X 5/8	6-1	Collar-Upper Steering Shaft	5-1
Bolt 3/8-16 X 1	8-2	Connector	11-4
Bolt 3/8-16 X 1 1/4	5-1	Connector Body	11-2
Bolt 3/8-16 X 1 1/4	8-2	Connector Body-Ignition Switch	11-2
Bolt 3/8-16 X 1 3/4	6-1	Connector Body-Interlock Switch	11-2
Bolt 3/8-16 X 2	3-1	Connector Housing-Resistor Module	11-2
Bolt 3/8-16 X 3 1/2	3-1	Contact Disc	11-3
Bolt 3/8-16 X 3 1/2 Grade 8	3-2	Control Box	11-1
Bolt 3/8-16 X 3/4	1-1	Control Box Lower Support	8-1
Bolt 3/8-16 X 3/4	5-1	Control Box Upper Support	8-1
Bolt 3/8-16 X 3/4	6-1	Control Extension	8-1
Bolt 3/8-16 X 3/4	7-2	Control Panel	8-1
Bolt 3/8-16 X 7/8	9-1	Cotter Pin 3/16 X 1 1/4	5-1
Bolt 5/16-18 X 1	7-2	Cotter Pin 1/8 X 1	6-1
Bolt 5/16-18 X 1/2	5-1	Cotter Pin 1/8 X 3/4	6-1
Bolt 5/16-18 X 3/4	7-2	Cotter Pin 1/8 X 3/4	7-2
Bolt 5/16-18 X 3/4	15-1	Cotter Pin 3/32 X 3/4	15-1
Bolt 5/16-18 X 5/8	8-2	Decal LH E-141 8-Speed	15-2
Bolt 5/16-18 X 5/8	9-1	Decal RH E-141 8-Speed	15-2
Bolt 5/16-18 X 7/8	8-3	Decal-4 Speed Shift	15-2
Bolt 5/16-18 X 7/8	15-1	Decal-Battery Black-Out	15-2
Bolt, Copper Contact	11-3	Decal-Caution	15-2
Bowed Washer	6-1	Decal-Control Housing	15-2
		Decal-HI Low Shift	15-2

Description	Figure No.	Description	Figure No.
Decal-Parking Brake	15-2	Fuel Level Meter	11-2
Decal-Rear	15-2	Fuse 125 Amp	11-1
Decal-Rear Plate	15-2	Fused Connector	11-4
Decal-Tach-A-Matic	15-2	Fuses 20 Amp	11-4
Decal-Uni Drive	15-2	Gear	3-1
Decal-Wheel Horse Logo	15-2	Gear 11 Tooth	3-2
Detent Ball 1/4 Diameter	3-2	Gear 44 Tooth	3-2
Detent Bolt	3-2	Gear Assembly	3-2
Detent Spring	3-2	Gear Shift Lever	3-2
Differential Axle Gear	3-2	Gear-Reverse Idler	3-1
Differential End Cap	3-2	Grease Fitting	5-1
Differential Pinion Gear	3-2	Grease Fitting	13-1
Differential Ring Gear	3-2	Grease Fitting 45 Degree	5-1
Disconnect Plate	11-3	Grease Fitting Straight	5-1
Drawbar Hitch	7-1	Grille Pivot Rod	8-1
Drive Belt	14-1	Grip	6-1
Drive Motor	9-1	Grip-Lift Lever	7-2
Dust Cover	3-2	Grommet	5-1
Dust Cover	8-2	Grommet	8-2
E-Ring	5-1	Ground Wire-Headlights	11-4
E-Ring	7-1	Ground Wire-Taillights	11-4
E-Ring	7-2	HI-Pro Key 5/8 X 21/32	14-1
E-Ring	8-1	Hairpin Cotter	6-1
E.S. Nut 3/8-16	6-1	Hairpin Cotter	7-1
Eslok Nut 1/4-20	6-1	Hairpin Cotter	7-2
Eslok Nut 1/4-20	8-1	Hairpin Cotter	8-2
Eslok Nut 1/4-20	8-2	Hand Grip	11-3
Eslok Nut 3/8-16	1-1	Headlight Wire	11-4
Eslok Nut 3/8-16	3-1	Height Control Casting	7-2
Eslok Nut 3/8-16	3-2	Hitch Pin	7-1
Eslok Nut 3/8-16	5-1	Hood	8-1
Eslok Nut 3/8-16	6-1	Hood Latch and Clip	8-1
Eslok Nut 3/8-16	7-2	Hood Pivot Bracket LH	8-1
Eslok Nut 3/8-16	8-2	Hood Pivot Bracket RH	8-1
Eslok Nut 3/8-24	5-1	Hood Stop Rope	8-1
Eslok Nut 5/16-18	7-2	Hoodstand	8-2
Eslok Nut 5/16-18	8-2	Housing-Control Panel	8-1
Eslok Nut 5/16-18	8-3	Hub Cap	13-1
Eslok Nut 5/16-18	9-1	Hub-Rear Wheel	13-1
Eslok Nut 5/16-18	15-1	Idler Pulley	6-1
Fender	8-3	Ignition Key-Set of 2	11-2
Fender Bracket-Front	8-3	Ignition Switch	11-2
Fender Support Bracket	8-3	Input Shaft	3-1
Fender and Seat Switch Support	8-3	Interlock Switch-Transmission	11-2
Fibre Washer	11-3	Internal Tooth Lockwasher 1/2	11-2
Flanged Bearing	5-1	Internal Tooth Lockwasher 5/8	11-2
Footrest L.H.	8-3	Key	14-1
Footrest Pad	8-3	Key 1/4 Sq X 1 3/16	7-2
Footrest R.H.	8-3	Knob-Height Control	7-2
Frame	1-1	Large Clip	11-4
Front Axle	5-1	Latch Bracket	7-2
Front Hitch Housing	7-1	Latch Rod	7-2
Front Spindle LH	5-1	Latch Support Bracket	8-1
Front Spindle RH	5-1	Latch-Front Hitch	7-1
Front Support	8-2	Latch-Mid Hitch	7-1
Front Tire 16 X 6:50-8	13-1	Lens	11-4
Front Wheel	13-1	Lift Bar	7-2

Description	Figure No.	Description	Figure No.
Lift Chain	7-2	Pop Rivet	8-1
Lift Lever	7-2	Pop Rivet	11-4
Light Bulb	11-4	Power Disconnect Assembly	11-3
Light Housing	11-4	Push Nut	8-2
Light Switch	11-4	Rear Axle	3-2
Locating Pin	3-1	Rear Hoodstand Plate	8-2
Lock	7-1	Rear Tire 23 X 8:50-12	13-1
Lockwasher #10	11-2	Rear Wheel	13-1
Lockwasher #4	11-3	Reduction Gear	3-1
Lockwasher #6	11-4	Resistor Module	11-2
Lockwasher 1/4	6-1	Retainer	7-2
Lockwasher 1/4	11-1	Retainer	8-3
Lockwasher 1/4	11-3	Rod	7-1
Lockwasher 3/8	1-1	Rod Cap	7-2
Lockwasher 3/8	7-2	Rod-Bell Crank Pivot	6-1
Lockwasher 5/16	5-1	Rod-Front Hitch Lock	7-1
Lockwasher 5/16	11-3	Rod-Height Control	7-2
Lockwasher 5/16	15-1	Rod-Mid Hitch Lock	7-1
Loose Parts Package E-141	15-2	Roll Pin	11-3
Lower Belt Guard	8-3	Roller Pin	8-2
Lower Steering Shaft	5-1	Roller Support & Hood Pivot Bracket L.H.	8-2
Lug Bolt	13-1	Roller Support & Hood Pivot Bracket R.H.	8-2
Mid Hitch Plate	7-1	Roller Support Bracket	8-2
Motor Cover	9-1	Roller-Inside	8-2
Motor Drive Pulley	14-1	Roller-Outside	8-2
Motor Mounting Plate	9-1	Rubber Cap	15-1
Needle Bearing	3-1	S.T. Bolt 5/16-18 X 5/8	6-1
Neoprene Washer 5/16	11-2	S.T. Bolt 5/16-18 X 5/8	7-2
Neoprene Washer 5/16 I.D.	11-3	S.T. Bolt 5/16-18 X 5/8	8-2
Nut #10-32	11-2	S.T. Bolt 5/16-18 X 5/8	8-3
Nut #4-40	11-3	S.T. Bolt 5/16-18 X 7/8	8-2
Nut #6-32	11-3	S.T. Bolt 5/16-18 X 7/8	15-1
Nut #6-32	11-4	S.T. Bolt 5/16-18 X 7/8	11-1
Nut 1/4-20	3-2	Screw #10-16	8-1
Nut 1/4-20 Brass	11-1	Screw #10-32 X 5/8 Sems	11-2
Nut 3/8-16	8-2	Screw #4-40 X 1 1/4"	11-3
Nut 3/8-16	9-1	Screw #6-32 X 1/2" Phillips	11-3
Nut 3/8-16 Free Running	13-1	Screw 1/4-20 X 5/8	8-2
Nut 5/16-18	15-1	Seal	3-1
Nylon Washer	6-1	Seat	15-1
Nylon Washer 3/8	6-1	Seat Pivot Plate	15-1
PTO Outlet	11-1	Seat Spring	15-1
PTO Outlet Support	8-2	Seat Switch	11-2
PTO Switch	11-2	Self Tapping Screw #6 X 3/8	11-3
Parking Brake Lever	6-1	Set Screw 1/4-20	14-1
Pedal-Brake	6-1	Set Screw 1/4-20 X 1/4 Cup Pt	6-1
Pedal-Clutch	6-1	Set Screw 1/4-20 X 1/4 Cup Pt	5-1
Pin	15-1	Set Screw 3/8-16 X 1 Sq HD	13-1
Pin and Plate	5-1	Set Screw 5/16-18 X 5/8	14-1
Pin-Reverse Idler	3-1	Shaft-Drawbar Hitch	7-1
Pipe Cap 3/8	3-1	Shaft-Reduction Gear	3-1
Pipe Plug 3/8 X 1 1/2	3-1	Shift Cover Plate	8-2
Pivot Bracket	15-1	Shift Fork	3-1
Plastic Cam	11-3	Shift Fork HI-Low Range	3-2
Plastic Cover & Washer	11-3	Shift Knob	3-2
Plug Button	7-2		
Plug Cup	3-1		

Description	Figure No.	Description	Figure No.
Shift Lever HI-Low Range	3-2	Switch Actuator	6-1
Shift Pin	3-1	Switch Handle	11-3
Shift Rail-Front	3-1	Switch Housing	11-3
Shift Rail-Rear	3-1	Taillight Base W/Bulb	11-4
Shift Shaft HI-Low Range	3-2	Taillight Lens	11-4
Shim Washer .050	5-1	Terminal Block	11-3
Shim Washer 1/2 X .030	6-1	Thrust Washer	3-1
Shim Washer 3/4 X .015	5-1	Thrust Washer	3-2
Shim Washer 3/4 X .015	13-1	Thrust Washer	5-1
Shim Washer 3/4 X .050	5-1	Tie Rod LH	5-1
Shim Washer 3/4 X .050	6-1	Tie Rod RH	5-1
Shim Washer 3/4 X .050	13-1	Tractor Owner's Manual	15-2
Shoulder Bolt	11-2	Transmission Case Gasket	3-1
Shoulder Washer-Fibre	11-3	Transmission Drive Pulley	14-1
Side Cover LH	8-2	Trim	8-1
Sleeve	7-2	Trunnion	7-2
Sleeve	11-3	Trunnion-Clutch Rod	6-1
Sliding Gear	3-1	Tube-Rear Lift Cable	7-2
Slip Washer	5-1	Tube-Service Only	13-1
Small Clip	11-4	U-Bolt	8-3
Spacer	5-1	Upper Steering Shaft	5-1
Spacer	6-1	Valve Stem	13-1
Spacer	7-1	Washer	11-3
Spacer	9-1	Washer #10	11-4
Spacer Plate	8-2	Washer #6	11-4
Special Bolt 3/8-16 X 1 1/2	6-1	Washer 1 in SAE	7-2
Special Heavy Duty Snap Ring	13-1	Washer 1/2 SAE	6-1
Special Nut	6-1	Washer 1/4	8-2
Special Nut	11-2	Washer 1/4	11-1
Special Screw	11-4	Washer 3/4 SAE	13-1
Special Set Screw	3-2	Washer 3/8	9-1
Special Snap Ring	3-2	Washer 3/8 SAE	6-1
Special Snap Ring	5-1	Washer 5/16	7-2
Special Washer	6-1	Washer 5/16 SAE	7-2
Special Washer	7-2	Washer 5/16 SAE	8-3
Special Washer-Case Hardened	3-2	Washer 5/16 SAE	15-1
Speed Nut	8-1	Washer 5/16 U.S.	15-1
Speed Nut	8-2	Whizlock Bolt 1/4-20 X 5/8	8-1
Speed Nut	8-3	Whizlock Bolt 5/16-18 X 3/8	9-1
Spirol Pin 1/4 X 2	5-1	Whizlock Nut	8-3
Spirol Pin 1/8 X 1	3-1	Wing Nut 1/4-20	11-1
Spirol Pin 1/8 X 1/2	7-2	Wiring Harness-Control Circuit	11-2
Spirol Pin 3/16 X 1 1/4	6-1	Wiring Harness-Power Circuit	11-1
Spirol Pin 3/16 X 3/4	3-2	Woodruff Key 1/4 X 1 3/8	13-1
Spirol Pin 5/32 X 7/8	3-2	Woodruff Key 3/16 X 3/4	3-1
Spring	7-1		
Spring	7-2		
Spring	11-3		
Spring	11-4		
Spring	15-1		
Spring Retainer	7-2		
Spring-Brake Return	6-1		
Spring-Clutch Return	6-1		
Spring-Parking Brake Return	6-1		
Steering Support	5-1		
Steering Wheel	5-1		
Steering Wheel Insert	5-1		

Part No.	Fig. No.	Part No.	Fig. No.	Part No.	Fig. No.	Part No.	Fig. No.
1004	13-1	6216	5-1	101639	11-4	105876	3-2
1005	14-1	6229	7-2	101707	7-1	105877	11-2
1030	5-1	6396	5-1	101711	7-1	105886	6-1
1030	13-1	6397	5-1	101750	7-1	105896	6-1
1085	5-1	6469	5-1	101751	7-1	105900	6-1
1085	6-1	6472	5-1	101884	11-2	106024	11-2
1121	7-2	6542	7-2	101889	3-2	106030	3-2
1239	3-2	6739	7-2	102025	6-1	106145	15-1
1243	3-1	6820	6-1	102138	11-4	106165	14-1
1278	5-1	6922	11-4	102168	8-1	106177	5-1
1278	6-1	6941	3-1	102277	11-2	106193	6-1
1278	13-1	7007	13-1	102373	7-2	106218	7-2
1481	5-1	7201	3-1	102592	5-1	106222	8-3
1504	3-1	7204	3-1	102593	5-1	106223	8-3
1516	3-1	7205	3-1	102639	7-1	106250	8-2
1518	3-1	7206	3-1	102644	7-1	106257	7-2
1523	3-1	7207	3-1	102648	11-4	106258	7-2
1529	3-1	7208	3-1	102672	7-1	106261	8-2
1531	3-1	7209	3-2	102809	6-1	106264	8-3
1532	3-1	7213	3-2	102856	5-1	106265	6-1
1533	3-1	7214	3-2	102871	3-2	106267	8-2
1542	3-1	7223	11-4	102884	11-4	106269	7-2
1644	7-1	7226	11-4	102974	3-2	106331	15-1
1813	7-1	7227	11-4	103145	15-1	106345	7-2
2844	6-1	7228	11-4	103323	6-1	106352	8-3
3023	11-4	7262	11-2	103347	6-1	106354	7-2
3503	3-1	7269	3-1	103543	6-1	106366	3-2
3517	3-2	7418	3-1	103599	6-1	106411	7-2
3527	3-1	7451	6-1	103628	6-1	106414	7-2
3577	3-2	7456	8-3	103918	3-1	106417	6-1
3624	7-2	7618	11-4	103990	11-2	106442	8-1
3765	6-1	7879	6-1	104248	8-2	106449	15-1
3909	3-1	7896	6-1	104271	11-2	106451	6-1
3912	3-1	7956	5-1	104327	11-2	106522	7-2
3915	3-1	8043	11-4	104398	13-1	106601	15-2
4204	3-1	8130	7-2	104822	5-1	106603	15-2
4944	7-2	8163	3-1	104822	13-1	106712	15-2
5108	13-1	8519	11-4	104841	15-1	106719	6-1
5173	3-1	8616	7-1	104946	11-2	106722	15-2
5174	3-1	9085	8-2	104947	11-2	106737	15-2
5175	3-1	9416	3-1	104955	15-2	106738	15-2
5210	5-1	9547	3-2	105060	3-2	106743	15-2
5210	13-1	9593	6-1	105061	3-2	106744	15-2
5224	3-1	9598	6-1	105202	11-4	106745	15-2
5280	7-2	9792	13-1	105269	7-1	106772	8-1
5433	13-1	9840	3-1	105302	11-2	106825	8-1
5434	13-1	100441	3-1	105316	7-1	106829	11-4
5442	8-1	100442	3-1	105316	7-2	106831	8-2
5512	13-1	100443	3-1	105503	15-1	106835	8-3
5614	3-1	100571	11-1	105524	15-1	106976	8-1
5615	3-1	100609	11-2	105528	7-2	107051	5-1
5616	3-1	101017	7-1	105763	13-1	107052	8-2
5618	5-1	101161	6-1	105797	7-1	107056	8-2
5618	7-1	101442	5-1	105797	8-1	107059	8-2
5638	5-1	101623	3-2	105845	7-2	107060	8-2
5701	7-2	101625	3-2	105859	7-1	107061	8-1
5807	5-1	101626	3-2	105875	3-2	107063	8-1

## NUMERICAL INDEX

Part No.	Fig. No.	Part No.	Fig. No.	Part No.	Fig. No.	Part No.	Fig. No.
107064	8-1	107313	8-3	908018	15-1	920009	9-1
107065	8-3	107374	3-2	908019	7-2	920011	6-1
107066	8-3	107377	11-3	908032	1-1	920015	13-1
107067	8-3	107391	7-2	908032	5-1	920017	7-2
107068	8-2	107394	8-3	908032	6-1	920038	15-1
107069	8-2	107407	15-2	908032	7-2	920075	11-3
107070	15-1	107458	8-1	908033	9-1	920077	11-4
107072	11-2	107495	8-2	908034	8-2	920079	11-2
107073	8-2	107596	3-2	908035	5-1	920081	6-1
107074	8-2	107606	3-2	908035	8-2	920081	11-1
107075	8-2	107621	11-1	908037	6-1	920081	11-3
107076	8-2	107622	11-2	908038	3-1	920082	5-1
107080	8-2	107628	11-2	908043	3-1	920082	15-1
107081	8-2	107631	9-1	908540	14-1	920083	1-1
107082	9-1	107632	8-1	909554	13-1	920083	7-2
107086	8-2	107650	5-1	909848	5-1	920083	11-3
107088	8-1	107651	5-1	909848	6-1	920158	11-2
107089	8-1	107677	6-1	909849	14-1	920160	11-2
107090	8-1	107709	15-2	910478	11-3	920228	7-2
107091	8-2	107977	6-1	910764	11-3	920248	6-1
107094	8-2	108035	6-1	910837	8-2	923784	8-1
107097	8-3	251053	15-2	911423	3-2	923786	8-1
107098	8-3	513405	11-1	911427	8-2	923797	11-4
107099	11-2	513405	11-3	911756	11-2	926694	6-1
107100	8-1	513453	11-1	913252	11-3	926694	7-2
107101	8-1	513457	11-3	913258	11-1	926694	8-2
107102	11-2	513736	11-3	915002	5-1	926694	8-3
107104	9-1	516333	11-1	915111	3-2	926696	8-2
107106	9-1	516380	11-1	915111	8-1	926696	15-1
107107	9-1	516389	11-1	915111	8-2	932008	15-1
107108	11-3	516582	9-1	915112	6-1	932016	6-1
107109	11-1	517801	11-3	915112	7-2	932016	7-2
107111	11-1	517802	11-3	915112	8-2	932017	6-1
107113	11-1	517803	11-3	915112	8-3	932035	5-1
107114	11-1	517808	11-3	915112	9-1	932121	8-2
107120	14-1	517809	11-3	915112	15-1	933148	7-2
107121	5-1	518078	8-2	915113	1-1	933156	3-1
107123	13-1	518097	11-2	915113	3-1	933160	11-3
107124	13-1	518108	11-1	915113	3-2	933169	3-2
107126	11-1	518251	11-3	915113	5-1	933184	3-2
107127	11-1	518390	11-2	915113	6-1	933190	6-1
107129	8-3	519189	11-3	915113	7-2	933221	5-1
107163	11-3	523152	11-3	915113	8-2	933504	6-1
107165	11-3	523169	11-3	915113	9-1	933504	7-2
107166	11-3	523332	11-1	915236	13-1	933505	7-1
107167	11-1	803236	15-2	915534	11-3	933505	8-2
107170	8-2	900036	8-2	915536	11-4	933507	7-2
107172	11-3	900036	8-3	915551	11-2	937014	3-1
107220	1-1	900037	8-3	915584	11-1	937108	13-1
107242	11-2	900063	1-1	915663	6-1	937221	14-1
107242	11-3	908002	6-1	920003	11-4	943326	3-1
107244	11-4	908003	8-1	920005	11-4	943460	3-1
107245	11-4	908015	5-1	920007	8-2	943462	3-1
107246	14-1	908016	8-2	920008	7-2	960012	8-3
107247	11-2	908016	9-1	920008	8-3	960152	8-1
107272	11-4	908017	15-1	920008	15-1	960174	9-1
107301	5-1	908018	8-3	920009	6-1	979120	7-1

Part No.	Fig. No.	Part No.	Fig. No.	Part No.	Fig. No.	Part No.	Fig. No.
810002R1.....	15-2						

Product information and specifications are shown herein as of the time of printing. Wheel Horse Products, Inc. reserves the right to change product specifications, designs, and standard equipment without notice and without incurring obligation.



**WHEEL HORSE**  
**lawn & garden tractors**

515 West Ireland Road, South Bend, Indiana 46614