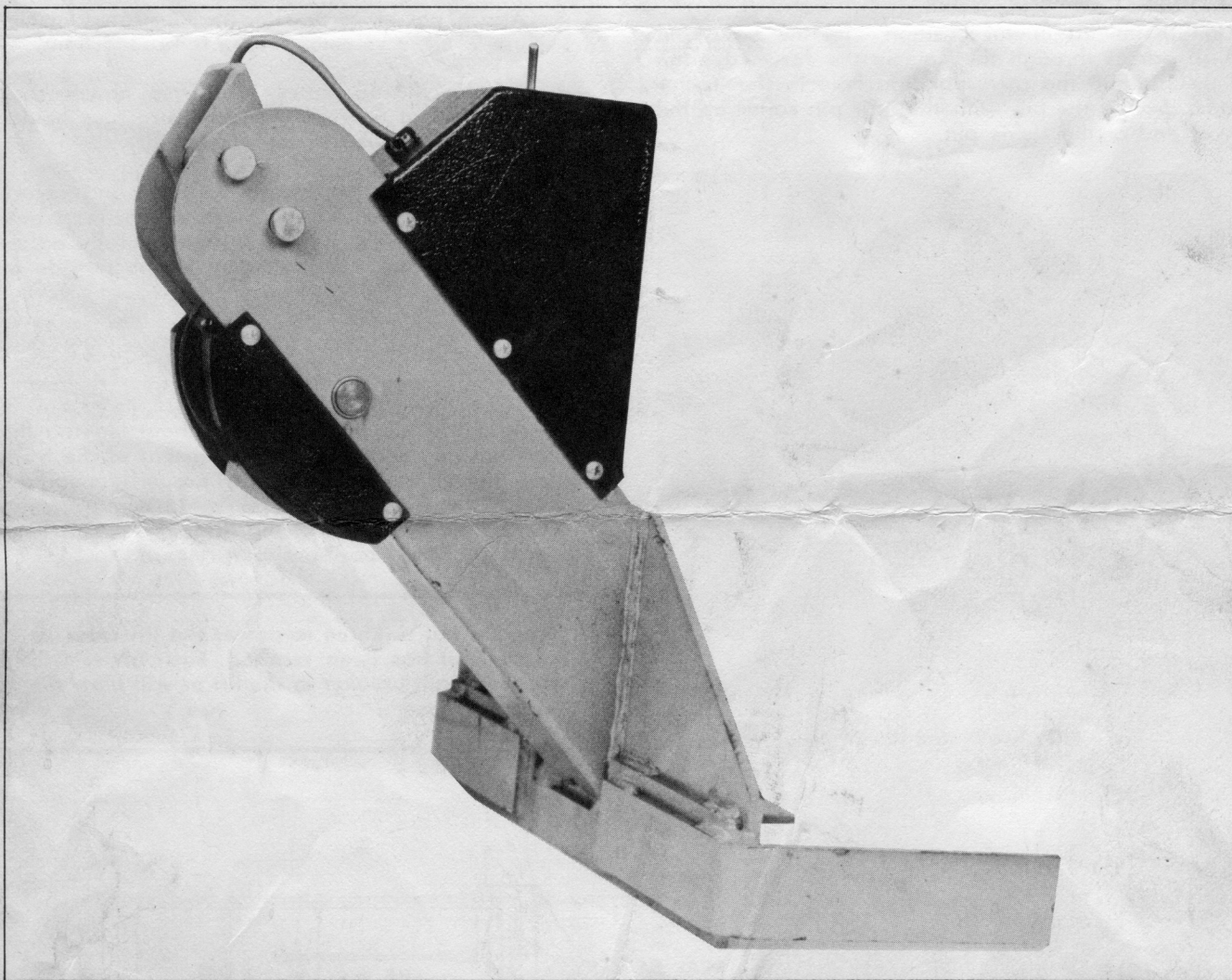


PARTS LIST
AND
INSTRUCTIONS



REAR ELECTRIC LIFT



WHEEL HORSE
lawn & garden tractors

8-5641

DESCRIPTION

The Rear Electric Lift is designed to be used with rear mounted attachments such as the Sleeve Hitch and the Rototiller.

INSTALLATION

MOUNT THE LIFT (FIG. 1)

Insert the lift arms in corner frame openings at the rear of the tractor. Push the assembly in so it is flush with the rear of the tractor frame.

Retain the lift in this position with the clevis pin which passes through the hole in the forward edge of the lift and the corresponding hole in the tractor frame. Secure the pin with the hair pin cotter on the lower end of the clevis pin.

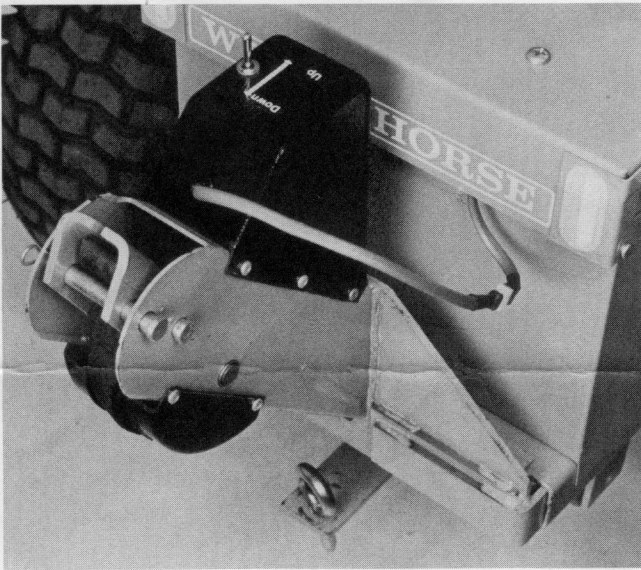


FIG. 1. Mount the Lift

LIFT POWER CORD WIRING

The power cord and receptacle for the rear electric lift is a permanent installation that is made in the rear battery box compartment as follows:

1. Remove rear battery hold-down and plastic battery cover.
2. Thread cord over the right battery box cover hinge, then through the battery box end opening under the cover. This allows the cord to hang out the right side so it will not be pinched when the cover is opened or closed.
3. Attach power cord wires as illustrated in Figure 2. Observe color coding for connections.
4. Replace plastic battery cover so power cord exits cutout on right side. Be sure fuse holder is outside the cover for accessibility.
5. Place power cord clamp on cord and secure it as shown when replacing the rear-most battery hold down. Before tightening, fully adjust cord in clamp for maximum length outside of tractor.

OPERATION

The rear lift can be operated without leaving the tractor seat and control is similar to that of the front tractor lift. With an attachment properly mounted, the lift switch is held forward to raise the attachment, rearward to lower it. Spring loading returns the switch to its center position upon release.

Note: Do not continue to power the lift after its raised limit has been reached. Such abuse will trip the circuit breaker in the lift or will blow the protective fuse.

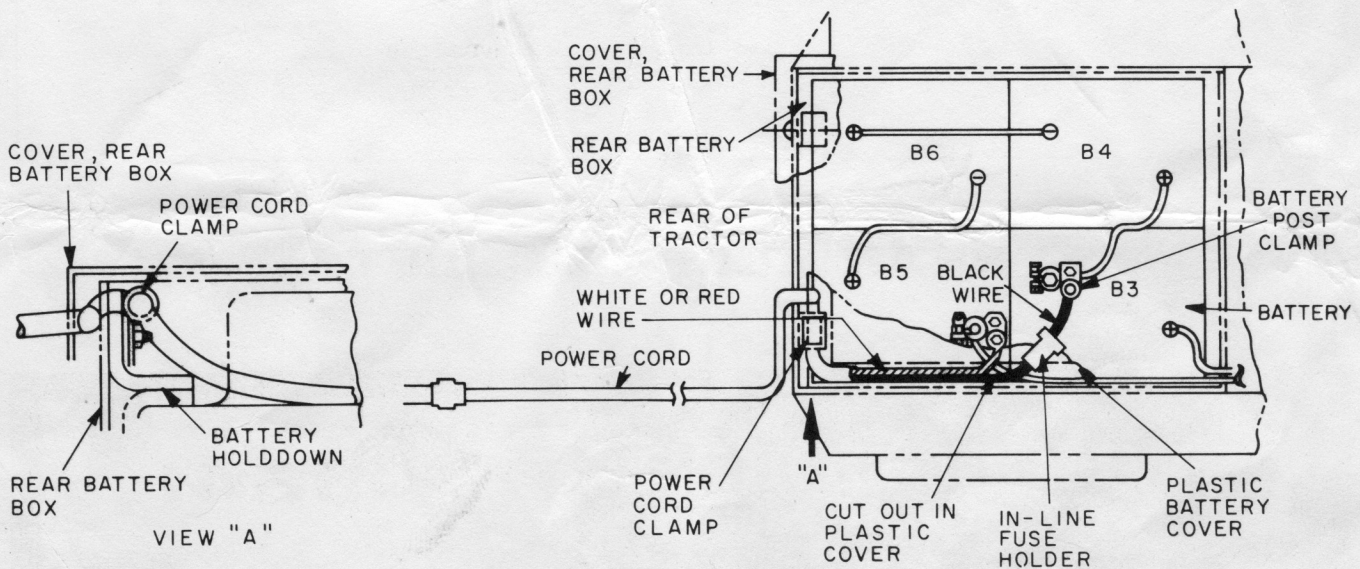


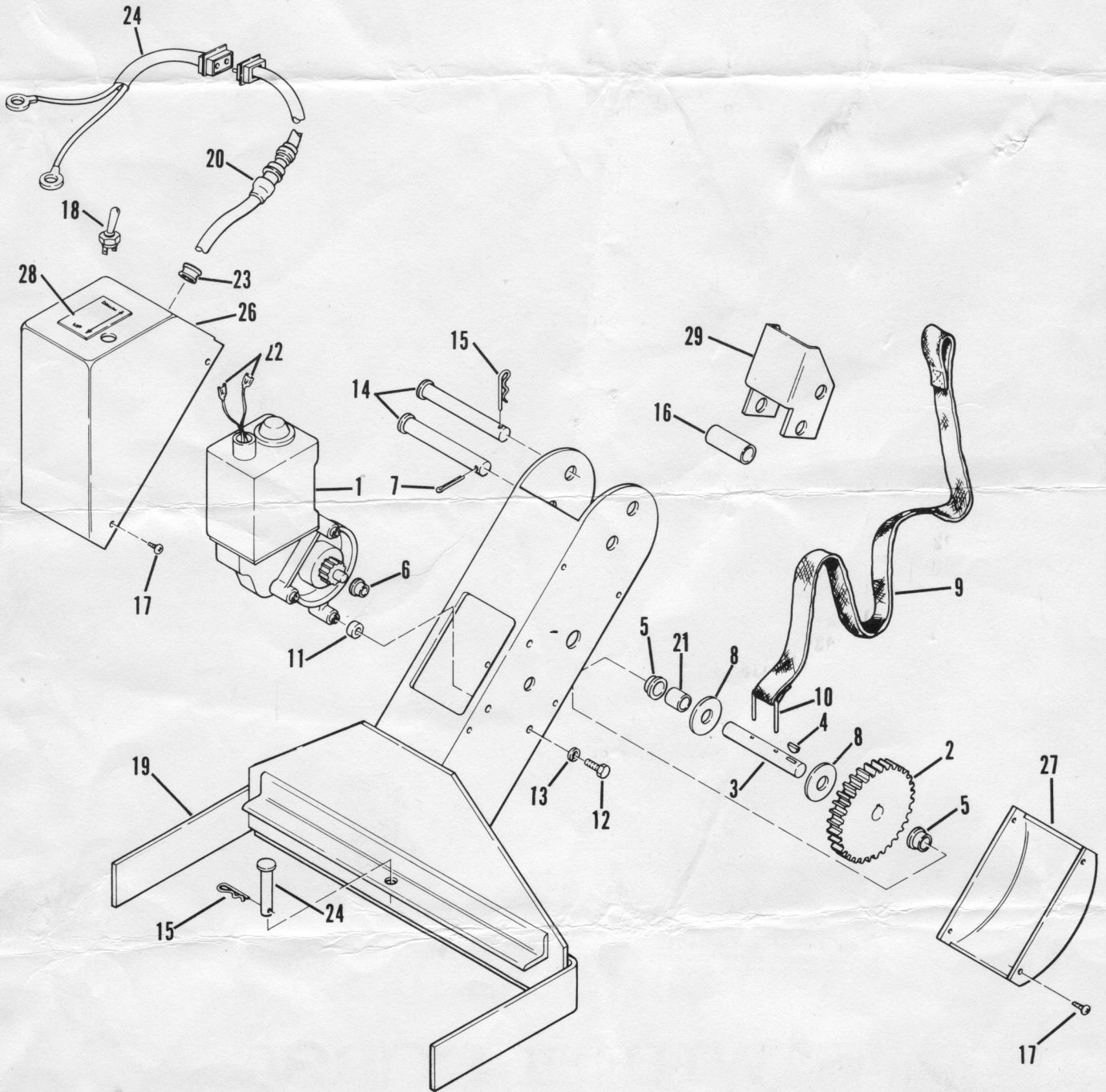
FIG. 2. Wiring the Lift

PARTS LIST FOR REAR ELECTRIC LIFT

FACTORY ORDER NUMBER 8-5641

Parts available only through Authorized Dealers.
When ordering parts always list Part No. and Description.
(Specifications subject to change without notice.)

ITEM NO.	PART NO.	DESCRIPTION	NO. REQ'D.
1	517400	Motor	1
2	517391	Gear	1
3	517390	Shaft	1
4	513439	Woodruff Key #3	1
5	517705	Flanged Bearing	2
6	517703	Flanged Bearing	1
7	513554	Cotter Pin .109 x 1	1
8	513472	Washer .656 I.D. x 1.75 O.D. x .10	2
9	517714	Lift Strap	1
10	517355	Clip	1
11	517709	Spacer	3
12	513319	Hex Bolt $\frac{1}{4}$ -20 x $\frac{7}{8}$	3
13	513513	Spring Lockwasher - $\frac{1}{4}$	3
14	517630	Clevis Pin	2
15	518033	Hairpin Cotter	1
16	517711	Sleeve	1
17	513615	Self Tapping Screw	10
18	517995	Switch	1
19	521421	Frame Assembly	1
20	518158	Power Cord	1
21	518294	Spacer	1
22	517755	Jumper Wire	2
23	517992	Strain Relief Bushing	1
24	517628	Clevis Pin	1
25	516024	Power Cord To Battery	1
26	523083	Motor Cover	1
27	523084	Gear Cover	1
28	518141	Decal	1
29	516063	Chain Bracket	1
	518154	Fuse (Not Shown)	1
	518293	Stop Bracket (Not Shown)	1



At the time of printing (5-76), product information and specifications, as shown, were correct. Wheel Horse Products, Inc. reserves the right to change product specifications, designs and standard equipment without notice and without incurring obligation.



WHEEL HORSE
lawn & garden tractors

515 West Ireland Road, South Bend, Indiana 46614