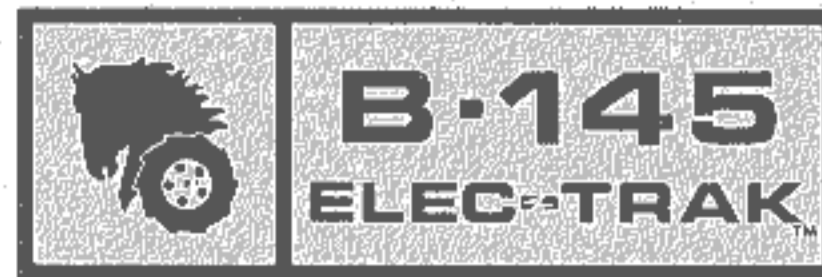


1975 PARTS MANUAL

for



FACTORY ORDER NUMBER 1-0720



WHEEL HORSE

lawn & garden tractors

Price \$1.00

FACTORY ORDER NUMBERS

Factory order numbers and serial numbers are necessary to order parts. The serial number is on a plate located under the hood, to the right of the batteries. Motor numbers are on each motor. The transmission number is on the transmission.

TO ORDER PARTS

1. Enter factory order numbers and serial numbers.

Tractor _____

Traction Motor _____

Transmission _____

2. Locate the desired part in the illustration and note its item number.
3. Locate the item number in the parts list. Order by both **part number** and **description**.

ORDER ALL PARTS THROUGH YOUR LOCAL AUTHORIZED WHEEL HORSE DEALER.

At the time of printing (3-75), product information and specifications, as shown, were correct. Wheel Horse Products, Inc. reserves the right to change product specifications, designs and standard equipment without notice and without incurring obligation.

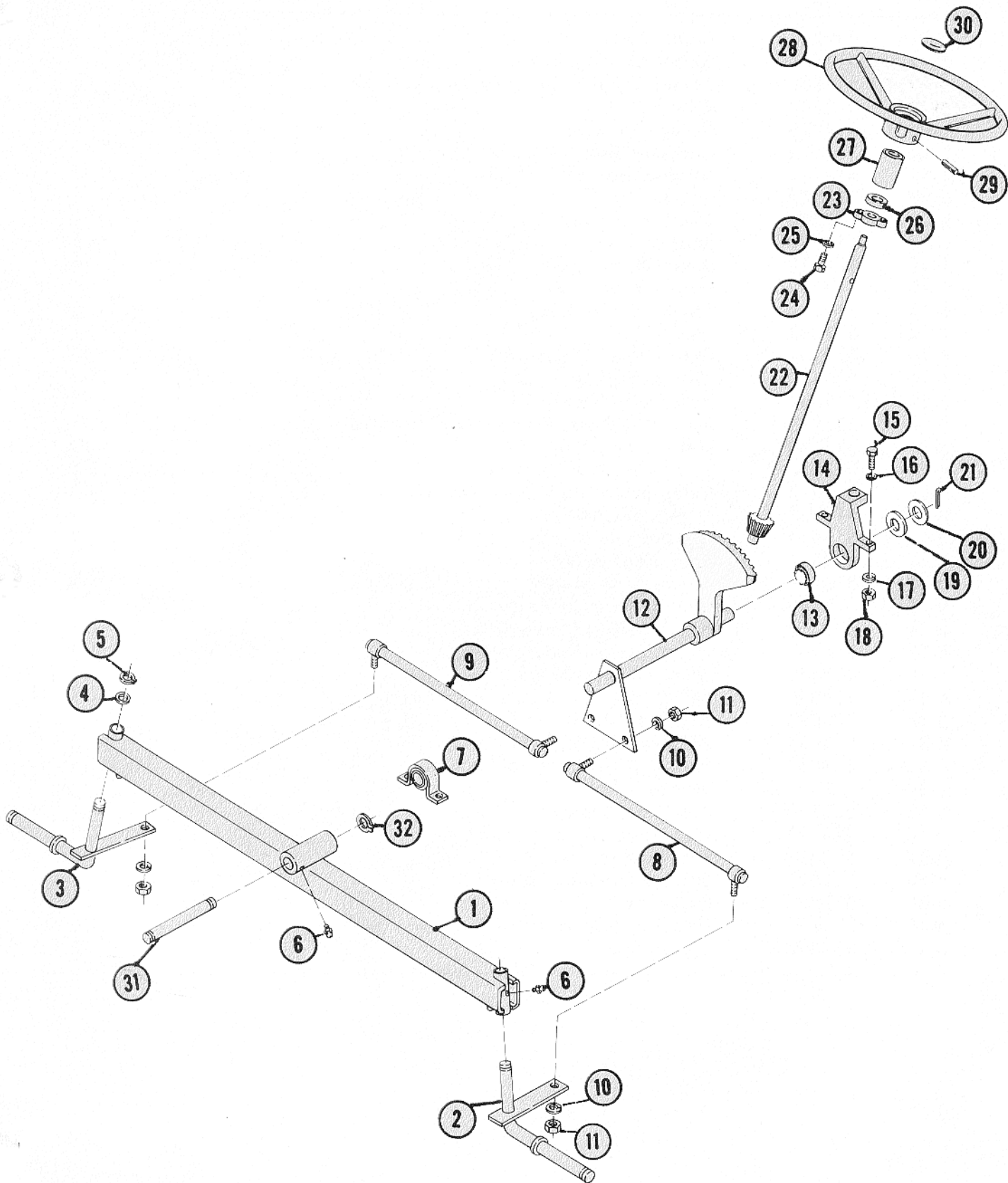
INDEX

GROUP		PAGE
E 5.000	Front Axle and Steering	3-4
E 6.000	Brake, Speed Control Linkage	5-6
E 7.000	Hitches and Lift Linkage	7-8
E 8.000	Sheet Metal and Covers	9-10
E 9.000	Motor, Transmission and Drive System	11-12
E10.000	Speed Control	13-14
E11.000	Electrical System	15-18
E13.000	Wheels and Tires	19-20
E15.000	Seat, Decals, Miscellaneous Trim	21-22
	Wiring Diagram	23-25

E5.000 FRONT AXLE AND STEERING (FIG. 5)

ITEM NO.	PART NO.	DESCRIPTION	NO. REQ'D.
5-01	516176	Axle, Front	1
5-02	516643	Spindle, Left	1
5-03	516825	Spindle, Right	1
5-04	518142	Thrust Washer	2
5-05	513756	Snap Ring	2
5-06	518902	Grease Fitting	3
5-07	518088	Bearing	1
5-08	522070	Tie Rod, Left	1
5-09	522069	Tie Rod, Right	1
5-10	513520	Lockwasher, 1/2	4
5-11	513304	Nut, Hex Jam 1/2-20	4
5-12	522204	Gear & Sector, with Shaft	1
5-13	518145	Bearing	1
5-14	521931	Mounting Bracket	1
5-15	513347	Screw, Machine, Hex 5/16-18 x 2	2
5-16	513468	Washer, 5/16 Plain	2
5-17	513515	Lockwasher, 5/16	2
5-18	513412	Nut, Hex 5/16-18	2
5-19	518174	Shim Washer	AR
5-20	513462	Washer, Plain 3/4 ID	1
5-21	513559	Cotter Pin, 1/8 x 1 1/4	1
5-22	523025	Steering Shaft, with Pinion Gear	1
5-23	517344	Bearing, Upper Steering Shaft	1
5-24	513337	Cap Screw, Hex 5/16-18 x 1/2	2
5-25	513515	Spring Lockwasher 5/16	2
5-26	518039	Set Collar	1
5-27	523036	Spacer, Steering Column	1
5-28	523033	Steering Wheel	1
5-29	513592	Spring Dowel Pin	1
5-30	102856	Steering Wheel Insert	1
5-31	519847	Pivot Pin	1
5-32	513755	Retaining Ring	2

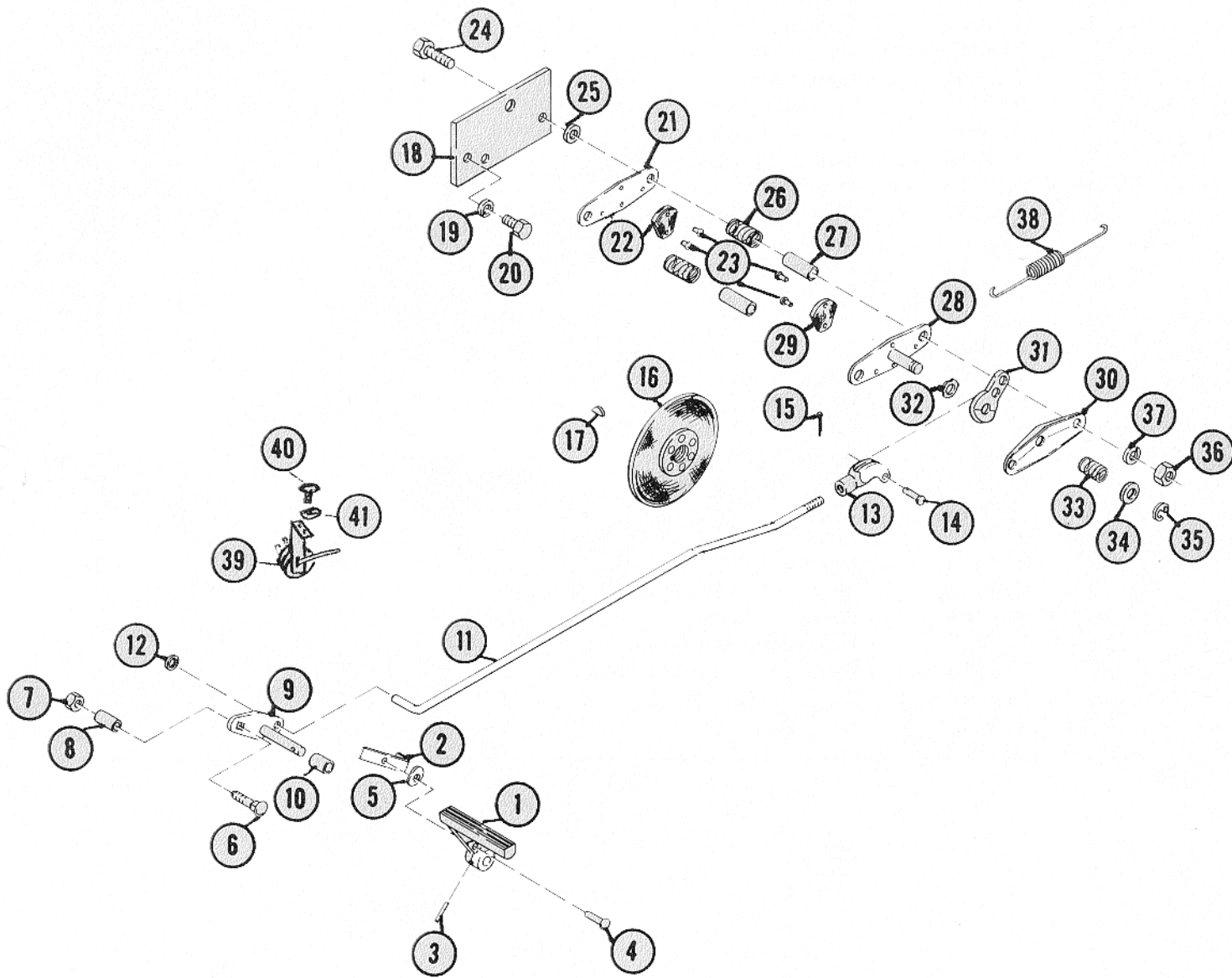
Figure E5. FRONT AXLE AND STEERING



E6.000 BRAKE LINKAGE (FIG. 6)

ITEM NO.	PART NO.	DESCRIPTION	NO. REQ'D.
6-01	522201	Brake Pedal	1
6-02	517566	Lever, Parking Brake	1
6-03	513588	Spring Dowel Pin, .156 Dia. x 1.12	1
6-04	518767	Rivet	1
6-05	517828	Curved Washer	2
6-06	513622	Carriage Bolt, 1/4-20 x 1 1/2	1
6-07	513421	Locking Hex Nut 1/4-20	1
6-08	518051	Spacer	1
6-09	518896	Shaft Assembly	1
6-10	518052	Spacer	1
6-11	517282	Brake Rod	1
6-12	517592	Spring Clip	1
6-13	519344	Clevis, Brake Rod	1
6-14	517637	Clevis Pin	1
6-15	513567	Cotter Pin, .094 x 3/4	1
6-16	519162	Disc Assembly	1
6-17	513441	Woodruff Key, 3/16 x 3/4	1
6-18	520021	Mounting Plate, Brake to Transmission	1
6-19	513527	Lockwasher, 3/8	2
6-20	513356	Bolt, Hex 3/8-16 x 3/4	2
6-21	519247	Inner Brake Pad (with Lining)	1
6-22	519241	Lining, Inner Pad	1
6-23	519251	Rivet	4
6-24	513327	Bolt, Hex 1/4-20	2
6-25	513490	Washer, 1/4 Plain	2
6-26	523030	Spring, (Pad to Pad)	2
6-27	519252	Bushing, Split (Pad to Pad)	2
6-28	516340	Outer Brake Pad	1
6-29	519241	Lining, Outer Brake Pad	1
6-30	516335	"V" Plate	1
6-31	520020	Cam Lever	1
6-32	513486	Washer, 5/16 x .31	1
6-33	523031	Spring ("V" Plate to Pad)	1
6-34	519791	Washer	1
6-35	513750	Retaining Washer	1
6-36	513292	Nut, Hex, 1/4	2
6-37	513524	Lockwasher, 1/4	2
6-38	520023	Spring, Linkage Return	1
6-39	517585	Brake Switch	1
6-40	513718	Machine Screw, #10-32 x 3/4	2
6-41	513498	Lockwasher	2

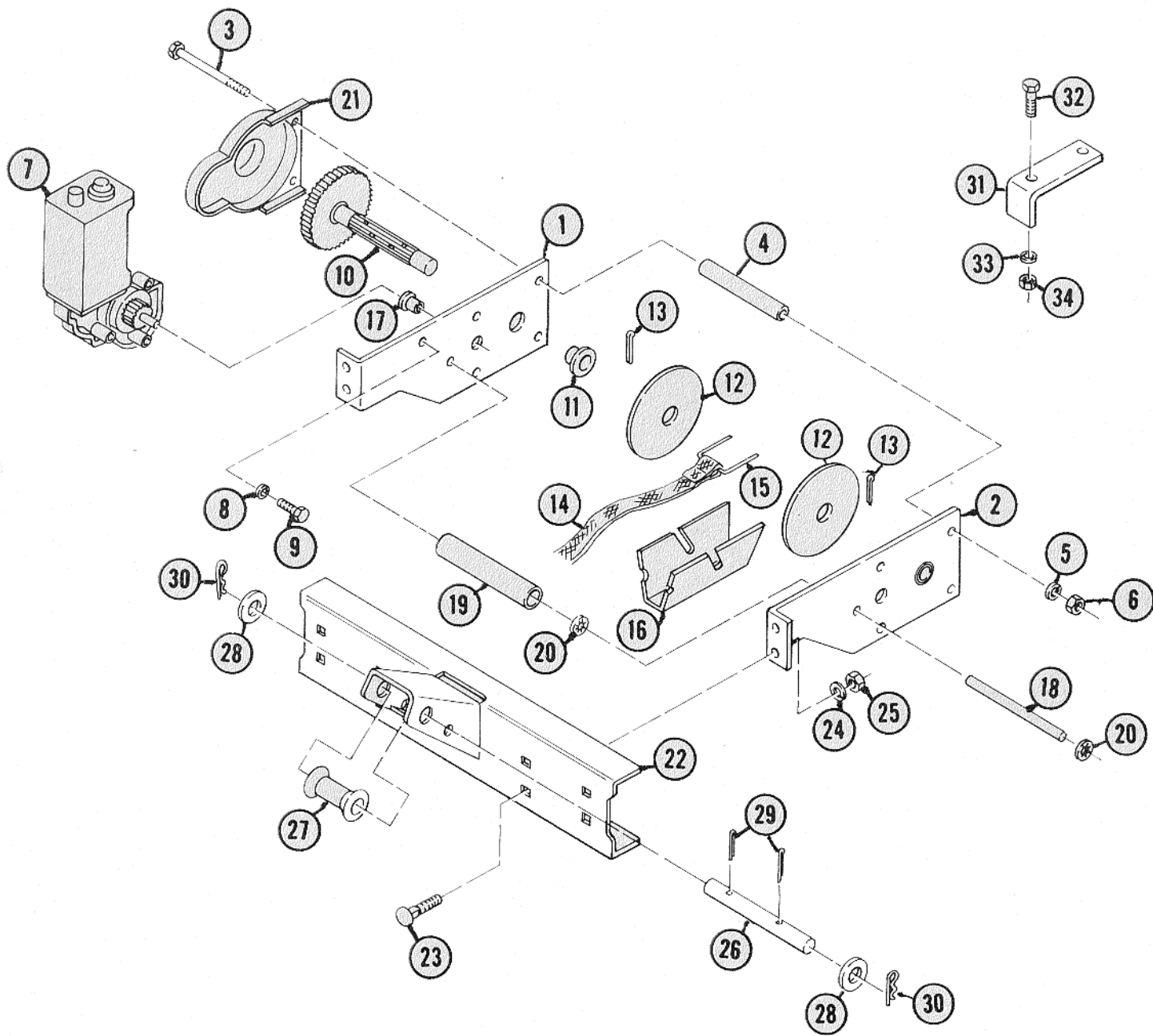
Figure E6. BRAKE LINKAGE



E7.000 LIFT LINKAGE AND HITCH (FIG. 7)

ITEM NO.	PART NO.	DESCRIPTION	NO. REQ'D.
7-01	521909	Support, Right	1
7-02	521910	Support, Left	1
7-03	513331	Bolt, Hex 1/4-20 x 4 1/2	2
7-04	518043	Spacer	2
7-05	513513	Spring Lockwasher, 1/4	5
7-06	513292	Nut, Hex 1/4-20	2
7-07	517786	Motor	1
7-08	518042	Spacer	3
7-09	513319	Bolt, Hex 1/4-20 x 7/8	3
7-10	517701	Gear Assembly	1
7-11	517705	Bearing, Flgd.	2
7-12	517663	Guide Washer	2
7-13	513566	Cotter Pin, 3/32 x 1	3
7-14	517714	Lift Strap	1
7-15	517355	Clip, Lift Strap	1
7-16	522161	Guard, Lift Strap	1
7-17	517703	Bearing, Flanged	1
7-18	517710	Shaft	1
7-19	517711	Sleeve	1
7-20	518079	Push Nut	2
7-21	521940	Gear Cover	1
7-22	517107	Lift Yoke & Bumper	1
7-23	513635	Carriage Bolt, 5/16-18 x 1	8
7-24	513515	Spring Lockwasher	8
7-25	513295	Nut, Hex 5/16-18	8
7-26	517613	Shaft	1
7-27	517611	Spool	1
7-28	513491	Washer, Plain 1/2	2
7-29	513566	Cotter Pin 1/16 x 1	2
7-30	517469	Hairpin Cotter	2
7-31	515978	Extension Bar (Draw Bar Hitch)	1
7-32	513375	Bolt, Hex 1/2-13 x 1 1/4	1
7-33	513519	Lockwasher, 1/2	1
7-34	513416	Nut, Hex 1/2-13	1

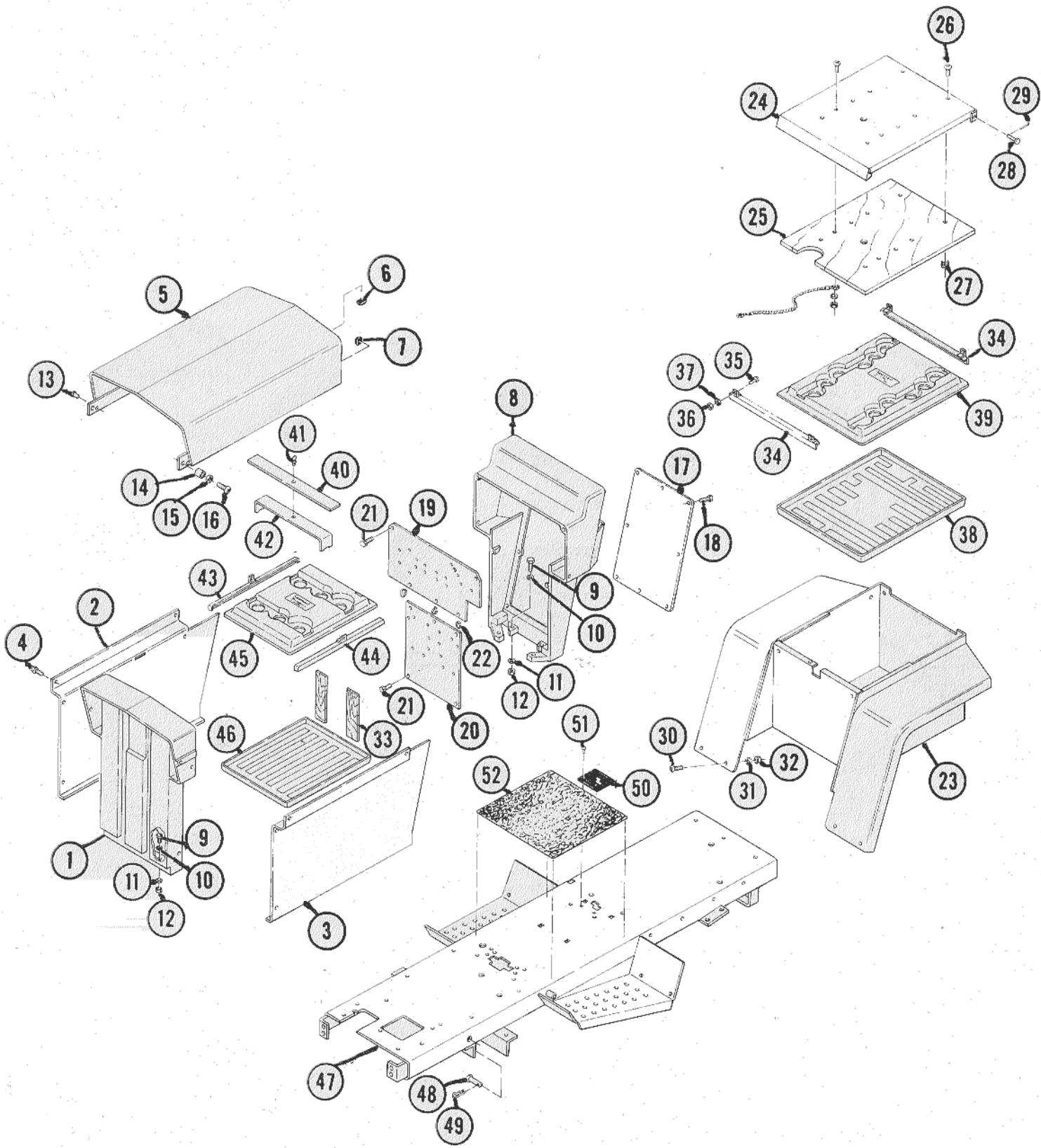
Figure E7. LIFT LINKAGE AND HITCH



E8.000 SHEET METAL AND COVERS (FIG. 8)

ITEM NO.	PART NO.	DESCRIPTION	NO. REQ'D.
8-01	521524	Grill	1
8-02	521408	Side Plate, Right Hand	1
8-03	521412	Side Plate, Left Hand	1
8-04	517818	Rivet	10
8-05	523035	Hood Assembly	1
8-06	518212	Hood Stop, Top	2
8-07	518211	Hood Stop, Sides	2
8-08	521747	Control Cabinet (Hood Stand)	1
8-09	513343	Bolt, Hex 5/16-18 x 1 1/4	7
8-10	513468	Washer, 5/16 STD	7
8-11	513515	Spring Lockwasher 5/16	7
8-12	513412	Nut, Hex 5/16-18	7
8-13	517819	Rivet	2
8-14	517516	Bushing	2
8-15	518114	Washer	2
8-16	518143	Machine Screw, Pan Head	2
8-17	522171	Cover	1
8-18	513691	Screw, Thd. Rolling #8-32 x 3/8	8
8-19	516941	Upper Control Panel	1
8-20	516942	Lower Control Panel	1
8-21	513694	Thrd. Rolling Screw #8-32 x 1/2	6
8-22	518017	Cable Tie	3
8-23	521547	Rear Body Assembly (with Fenders)	1
8-24	523040	Seat Pan	1
8-25	523042	Stiffener, Seat Pan	1
8-26	313732	Screw, Phillips Pan Head 5/16-18 x 3/4	4
8-27	517985	"T" Nut, 243 A	10
8-28	517626	Clevis Pin 1/8 x 3/4	2
8-29	513556	Cotter Pin	2
8-30	513728	Screw, Phillips Pan Head 1/4-20 x 1/2	4
8-31	513513	Spring Lockwasher, 1/4	4
8-32	513292	Nut, Hex 1/4-20	4
8-33	517875	Spacer, Battery	2
8-34	515911	Battery Clamp, Rear Box	2
8-35	513718	Screw, Phillips Pad Head #10-32 x 3/8	4
8-36	513287	Nut, Hex #10-32	4
8-37	513536	Spring Lockwasher #10	4
8-38	515305	Battery Tray, Rear Box	1
8-39	517981	Battery Cover, Rear Box	1
8-40	517535	Clamp Plate, Front Box	1
8-41	520727	Thumb Screw, Clamp	1
8-42	517532	Clamp, Front Box	1
8-43	517528	Hold Down, Front Right	1
8-44	517529	Hold Down, Front Left	1
8-45	517982	Battery Cover, Front Box	1
8-46	515308	Battery Tray, Front Box	1
8-47	522244	Frame	1
8-48	517627	Clevis Pin	2
8-49	518035	Hairpin Cotter	2
8-50	523027	Shift Plate	1
8-51	517821	Rivet	2
8-52	521076	Floor Mat	1

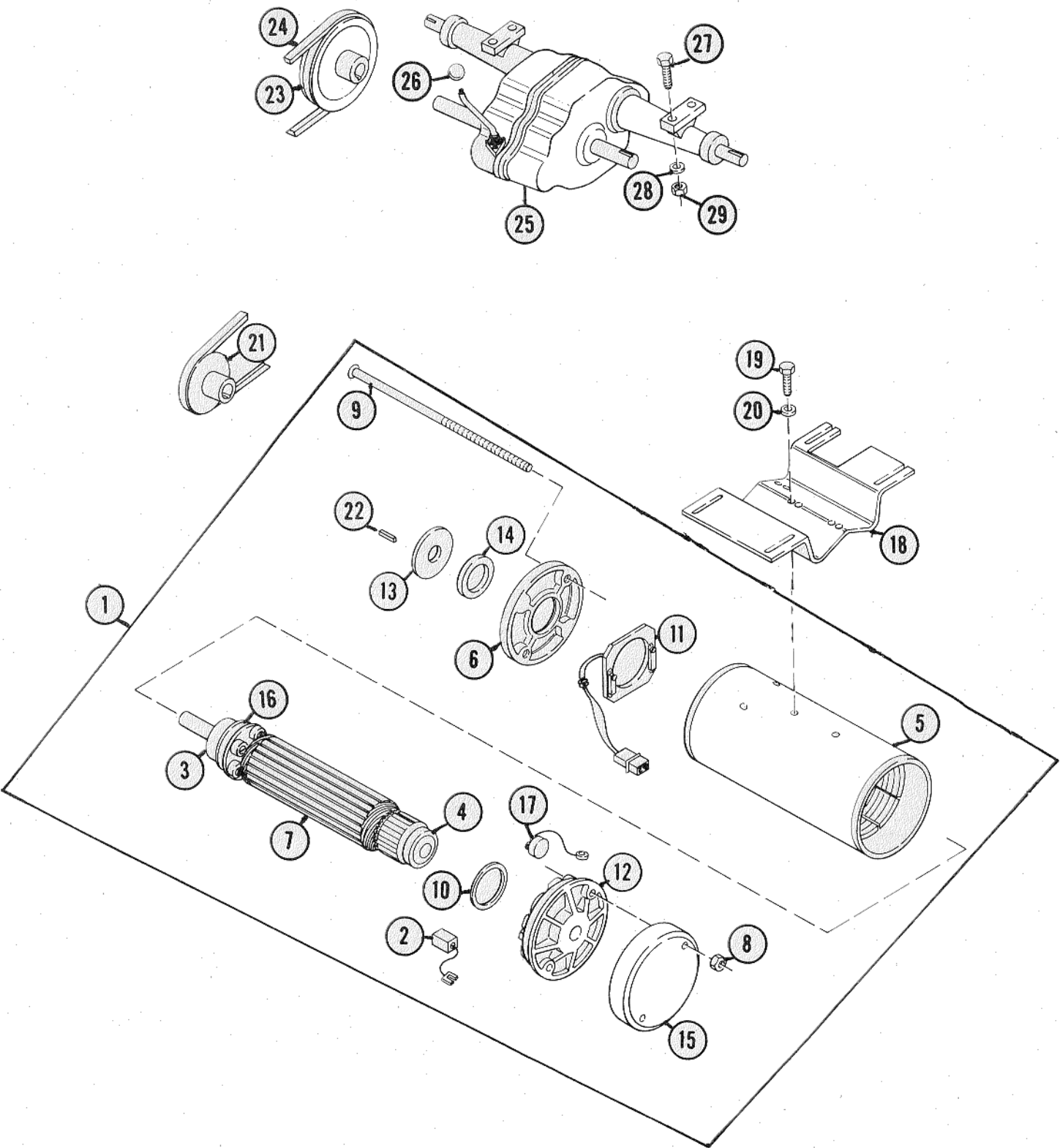
Figure E8. SHEET METAL AND COVERS



E9.000 MOTOR, TRANSMISSION AND DRIVE SYSTEM (FIG. 9)

ITEM NO.	PART NO.	DESCRIPTION	NO. REQ'D.
9-01	516091	Motor	1
9-02	520293	Brush Assembly	2
9-03	519556	Bearing, Drive End	1
9-04	519557	Bearing, Commutator End	1
9-05	520296	Shell and Magnet Assembly	1
9-06	520297	Shield, Drive End	1
9-07	520298	Armature with Bearings and Actuator	1
9-08	520302	Locknut	2
9-09	520300	Tie Bolt	2
9-10	519579	Thrust Washer	1
9-11	520303	Switch Assembly	1
9-12	520307	Shield, Brushes and Thermostat, Commutator End	1
9-13	520309	Bearing Shield, External	1
9-14	520312	Bearing Shield, Internal	1
9-15	520313	Cover, Commutator End	1
9-16	520314	Switch Actuator	1
9-17	520316	Circuit Breaker Assembly	1
9-18	515480	Mouting Plate, Drive Motor	1
9-19	513309	Bolt, Hex 1/4-28 x 3/4	4
9-20	513467	Washer, Plain 1/4	2
9-21	518264	Pulley, Drive Motor	1
9-22	513444	Key, 3/16 x 3/4	2
9-23	518262	Pulley, Transmission	1
9-24	517431	Drive Belt	1
9-25	521385	Transaxle Assembly	1
9-26	517460	Knob, Gear Shift	1
9-27	513364	Cap Screw, Hex 3/8-16 x 1 3/4	4
9-28	517517	Spring Lockwasher, 3/8	4
9-29	513415	Nut, Hex 3/8-16	4

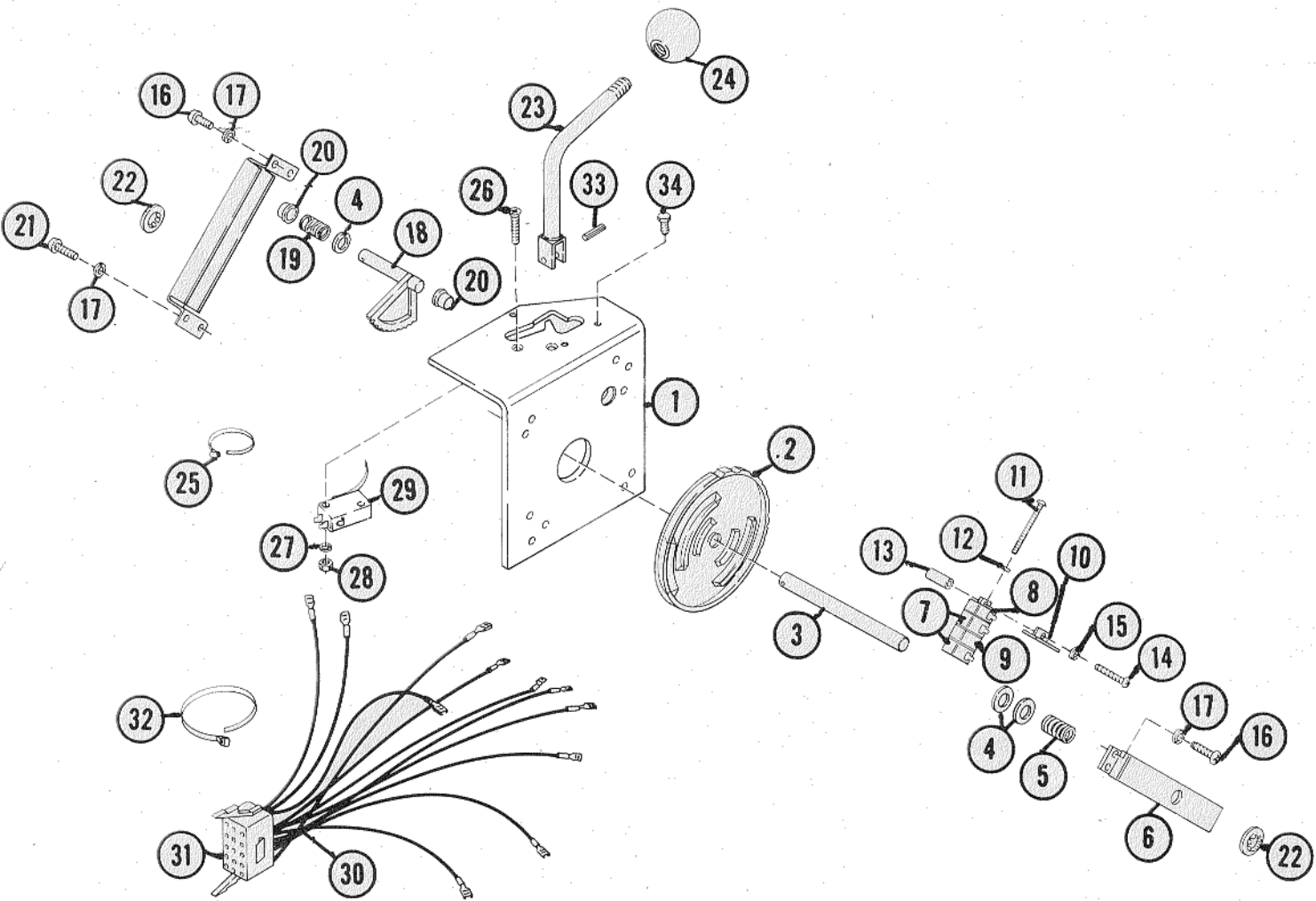
Figure E9. MOTOR, TRANSMISSION AND DRIVE SYSTEM



E10.000 SPEED CONTROL (FIG. 10)

ITEM NO.	PART NO.	DESCRIPTION	NO. REQ'D.
10-00	521799	Throttle Assembly Complete	1
10-01	521968	Mounting Plate	1
10-02	521908	Face Cam	1
10-03	518081	Shaft	1
10-04	513487	Washer 3/8 Narrow	3
10-05	517807	Spring	1
10-06	515866	Switch Mounting Bracket	2
10-07	517396	Switch, 1A, 2A	2
10-08	517395	Switch, Start	1
10-09	517710	Switch Spacer	1
10-10	517480	Switch Holding Bracket	1
10-11	513734	Machine Screw, Phillips Pan Hd. 4-40 x 1 ³ / ₄	2
10-12	513502	Lockwasher Int. Tooth #4	2
10-13	518044	Spacer	1
10-14	513258	Screw, Phillips Pan Hd. Thd. Cutting #6-32 x ³ / ₄	1
10-15	513503	Lockwasher, Int. Tooth #6	1
10-16	513259	Screw, Phillips Pan Hd. Thd. Cutting #8-32 x 3/8	6
10-17	513505	Lockwasher, Int. Tooth #8	8
10-18	517486	Driving Gear, with Shaft	1
10-19	517806	Spring	1
10-20	517398	Bushing	2
10-21	513708	Mach. Screw, Phillips Pan Hd. #8-32 x ¹ / ₄	2
10-22	518078	Push Nut	2
10-23	517448	Lever Assembly	1
10-24	517459	Knob	1
10-25	518017	Cable Tie	1
10-26	513741	Screw, Phillips Flat Hd. #4-40 x ³ / ₄	2
10-27	513530	Spring Lockwasher #4	2
10-28	513279	Nut, Hex #4-40 Steel	2
10-29	517782	Switch, Reverse	1
10-30	515674	Throttle Wiring Harness	1
10-31	518099	Socket Housing	1
10-32	518016	Cable Tie	1
10-33	521120	Pin, Throttle	1
10-34	513695	Screw, Thd. Rolling #8-32 x 5/8 Dull Black	3

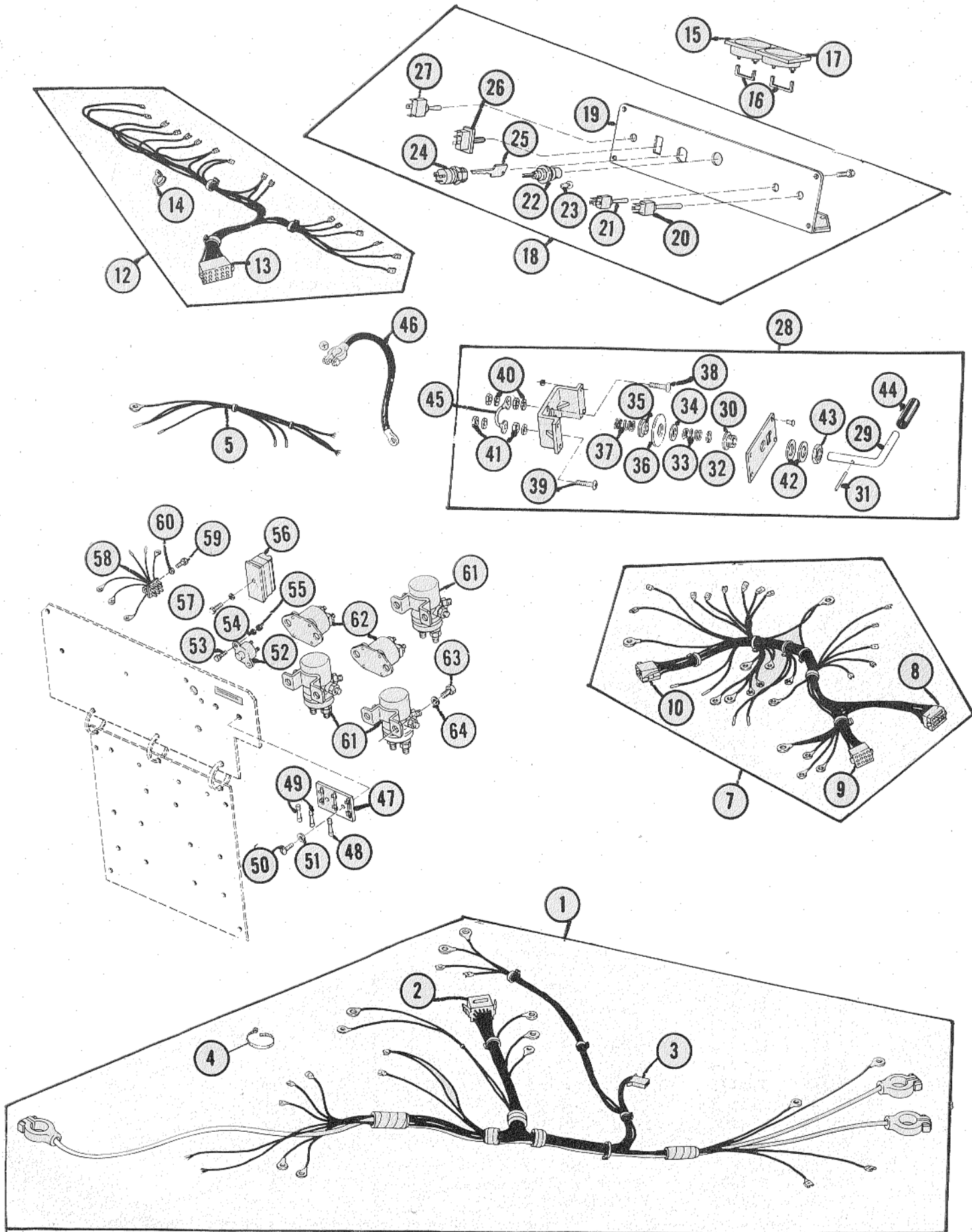
Figure E10. SPEED CONTROL



E11.000 ELECTRICAL SYSTEM (FIG. 11)

ITEM NO.	PART NO.	DESCRIPTION	NO. REQ'D.
11-01	523028	Chassis Wiring Harness (Complete)	1
11-02	518098	Socket Housing (J3)	1
11-03	518150	Socket Housing (J7)	1
11-04	518017	Cable Tie	11
11-05	516754	Control Panel Adder Wires	1
11-07	523155	Control Panel Wiring Harness ((Complete)	1
11-08	518099	Socket Housing (J1)	1
11-09	518093	Pin Housing (P2)	1
11-10	518092	Pin Housing (P3)	1
11-12	515718	Dash Wiring Harness (Complete)	1
11-13	518093	Pin Housing (P1)	1
11-14	518016	Cable Tie	5
11-15	518193	Power Use Gauge	1
11-16	518205	Bracket	2
11-17	518188	Fuel Level Meter	1
11-18	517000	Dash Panel Assembly	1
	513692	Screw, Thrd. Rolling #8-32 x 1/2 Dull Black	5
11-19	514891	Dash Panel	1
11-20	517995	Lift Switch	1
11-21	519419	PTO Switch	1
11-22	518110	Light, Dash Panel	1
11-23	517842	Bulb, Dash Panel Light	1
11-24	519520	Key Switch	1
11-25	520080	Key (Set of Two)	1
11-26	520183	Power Pulse Switch	1
11-27	517996	Light Switch	1
11-28	523154	Power Disconnect Switch	1
11-29	518251	Switch Handle Rod	1
11-30	517800	Bushing	1
11-31	523100	Groove Pin, 1/8 x 1 1/4	1
11-32	513457	Washer, 5/16 Steel	1
11-33	517808	Spring (Pin to Contact Disc)	1
11-34	517803	Fiber Washer	1
11-35	517801	Fiber Bushing	1
11-36	517799	Contact Disc	1
11-37	517809	Spring (Contact Disc to Housing)	1
	518137	Washer	1
	523169	Bushing, Alignment	1
11-38	523153	Contact Bolt (Copper)	3
11-39	513736	Screw, Phillips Pan Hd. 1/4-20 x 1 1/4 (Brass)	1
11-40	513513	Spring Lockwasher 1/4	8
11-41	513405	Nut, Hex 1/4-20 (Brass)	8
11-42	513507	Lockwasher, Int. Tooth 5/8	2
11-43	517824	Nut, 5/8-18	1
11-44	519189	Hand Grip	1
11-45	517554	Fuseable Link	1
11-46	516383	Battery Cable #1	1
11-47	519921	Fuse Block	1
11-48	518154	Fuse (FU-2)	1
11-49	518241	Fuse (FU-3, FU-4)	2
11-50	513690	Screw, Hex Thd. Rolling #6-32 x 1/2	2
11-51	513535	Spring Lockwasher #8	3
11-52	518390	Circuit Breaker	1
11-53	513657	Screw, Hex Mach. #10-32 x 3/4	2
11-54	513536	Spring Lockwasher #10	2
11-55	513287	Nut, Hex #10-32	2
11-56	518089	Relay, RTN	1
11-57	513649	Screw, Hex Machine #8-32 x 3/8	1
11-58	516970	Diode & Varistor Assembly	1
11-59	513688	Screw, Hex Thd. Rolling #6-32 x 3/8	1

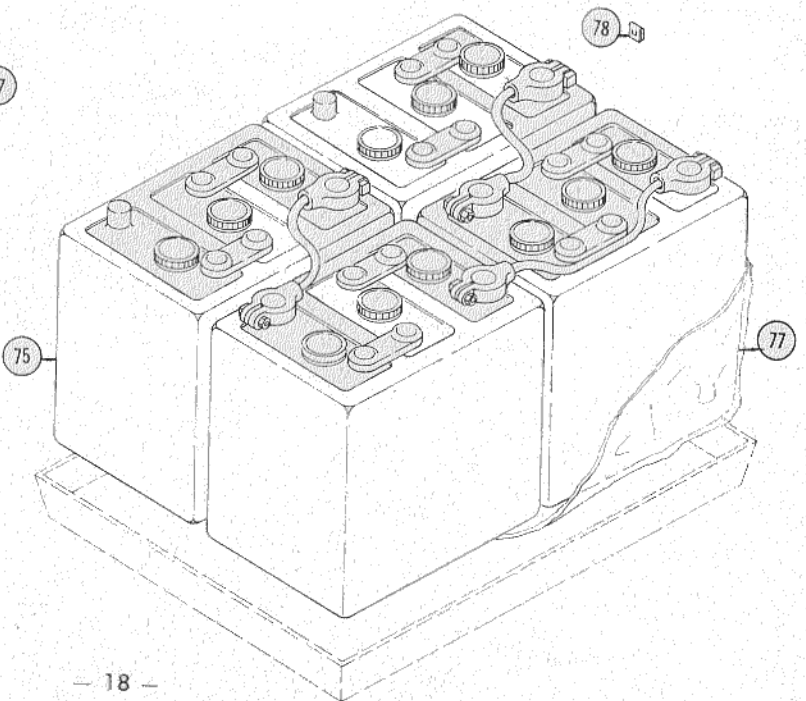
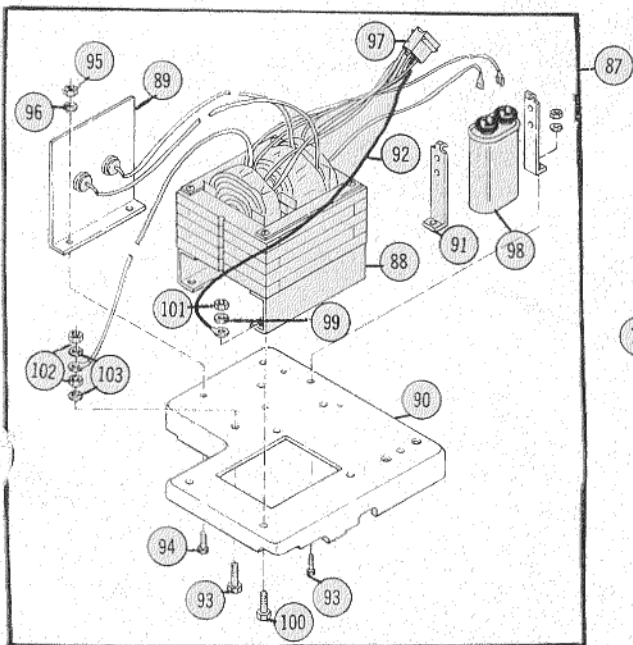
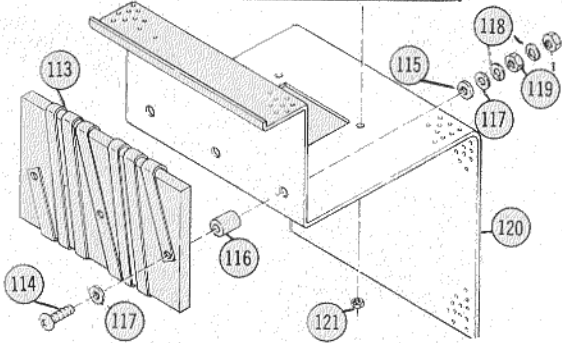
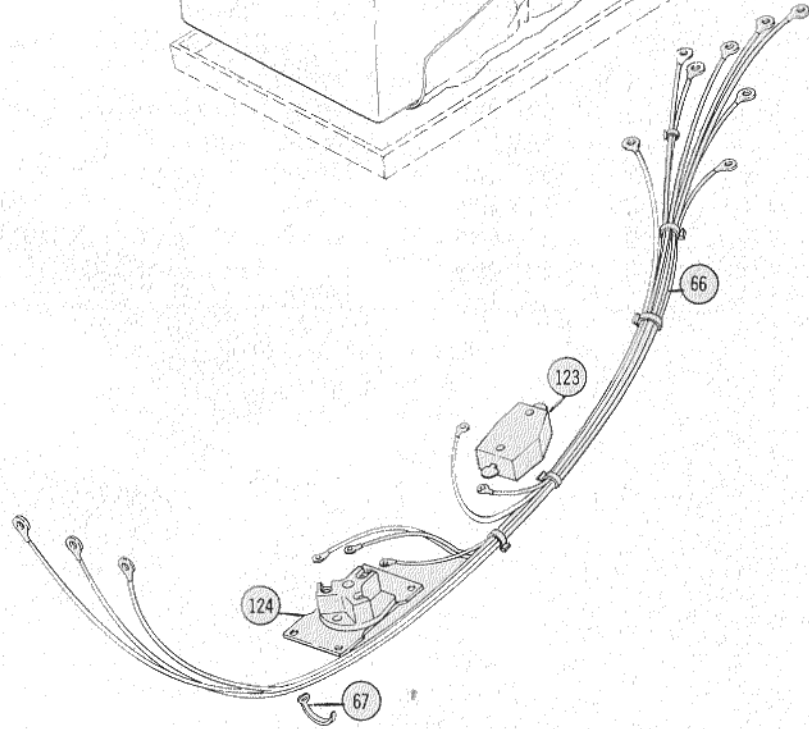
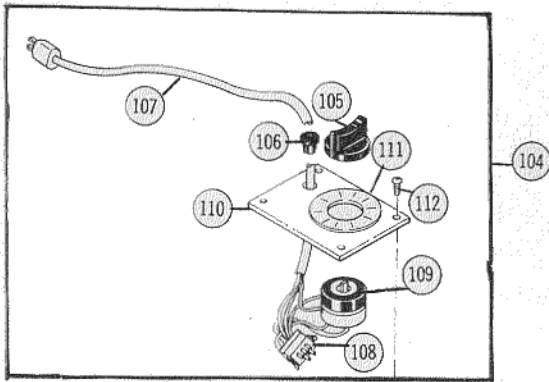
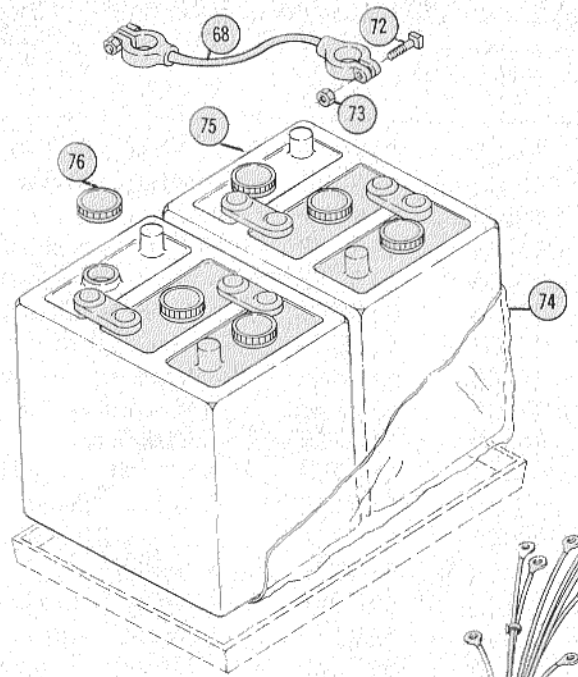
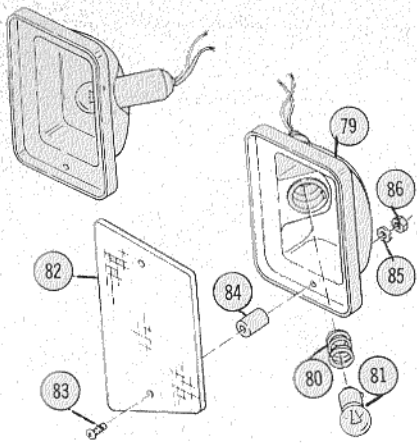
Figure E11A. ELECTRICAL SYSTEM



E11.000 ELECTRICAL SYSTEM (FIG. 11) (Continued)

ITEM NO.	PART NO.	DESCRIPTION	NO. REQ'D.
11-60	513532	Spring Lockwasher #6	1
11-61	516844	Contactora, PTO, F, R	3
11-62	520192	Power Contactor, 1A, 2A	2
11-63	513696	Screw, Thd. Rolling #10-32 x 3/8	10
11-64	513513	Spring Lockwasher, 1/4	10
11-66	515724	Grill Harness	1
11-67	518017	Cable Tie	7
11-68	516380	Battery Cable Assembly	4
11-72	513620	Bolt, Sq. Hd. 5/16-18	1
11-73	519792	Nut, Hex 5/16-18	1
11-74	515136	Poly Bag Liner, Front	1
11-75	523045	Battery, Heavy-Duty 6 Volt (Deep Discharge)	6
11-76	516987	Battery Cap	3
11-77	515137	Poly Bag Liner, Rear	1
11-78	519886	Clip, Wire	1
11-79	515920	Reflector and Light Socket	2
11-80	517810	Spring	2
11-81	517843	Bulb, Head Light	2
11-82	517499	Lens, Headlight	2
11-83	513706	Screw, Pan Hd. #6-32 x 1	4
11-84	518045	Spacer	4
11-85	513532	Lockwasher #6	4
11-86	513285	Nut, Hex #6-32	4
11-87	521603	Battery Charger (Complete)	1
11-88	516048	Transformer	1
11-89	515951	Heat Sink Assembly	1
11-90	521993	Base	1
11-91	517652	Bracket	2
11-92	517753	Wire (#47)	1
11-93	513658	Screw, Hex Machine #10-32 x 7/8	2
11-94	513651	Screw, Hex Machine	2
11-95	513286	Nut, Hex #8-32	2
11-96	513535	Lockwasher, #8	2
11-97	518091	Pin Housing	1
11-98	518233	Capacitor	1
11-99	513513	Lockwasher, 1/4	7
11-100	513320	Bolt, Hex 1/4-20 x 1	5
11-101	513292	Nut, Hex 1/4-20	7
11-102	513287	Nut, Hex #10-32	3
11-103	513536	Lockwasher #10	3
11-104	515956	Timer Assembly	1
11-105	518226	Timer Knob	1
11-106	517990	Bushing, Charger Cord	1
11-107	517750	Charger Cord	1
11-108	518097	Socket Housing	1
11-109	517650	Timer	1
11-110	515948	Mounting Plate	1
11-111	519810	Timer Dial	1
11-112	513725	Screw, Machine #10-24 x 3/4 Phillips Hd.	4
11-113	515949	Power Resistor Assembly	1
11-114	513738	Screw, Phillips Pan Hd. 1/4-20 x 2	3
11-115	517414	Washer, Fiber	3
11-116	517413	Spacer	3
11-117	513453	Washer, 1/4	6
11-118	513513	Spring Lockwasher 1/4	6
11-119	513405	Nut, 1/4-20	6
11-120	515494	Cover	1
11-121	517787	Speed Nut	4
11-123	518032	Accessory Outlet (50-2)	1
11-124	518108	PTO Outlet (50-1)	1

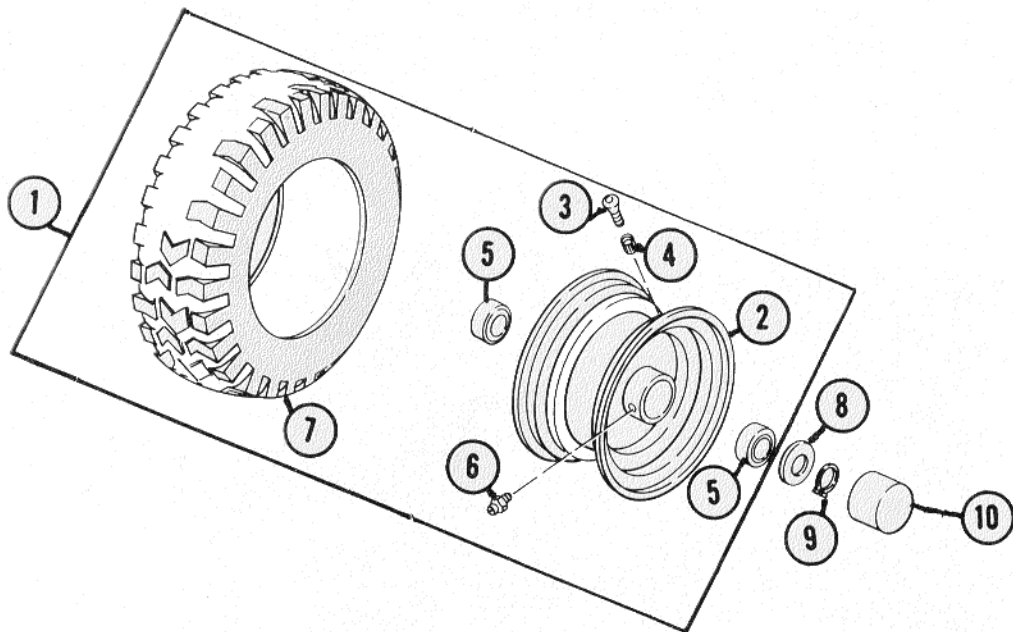
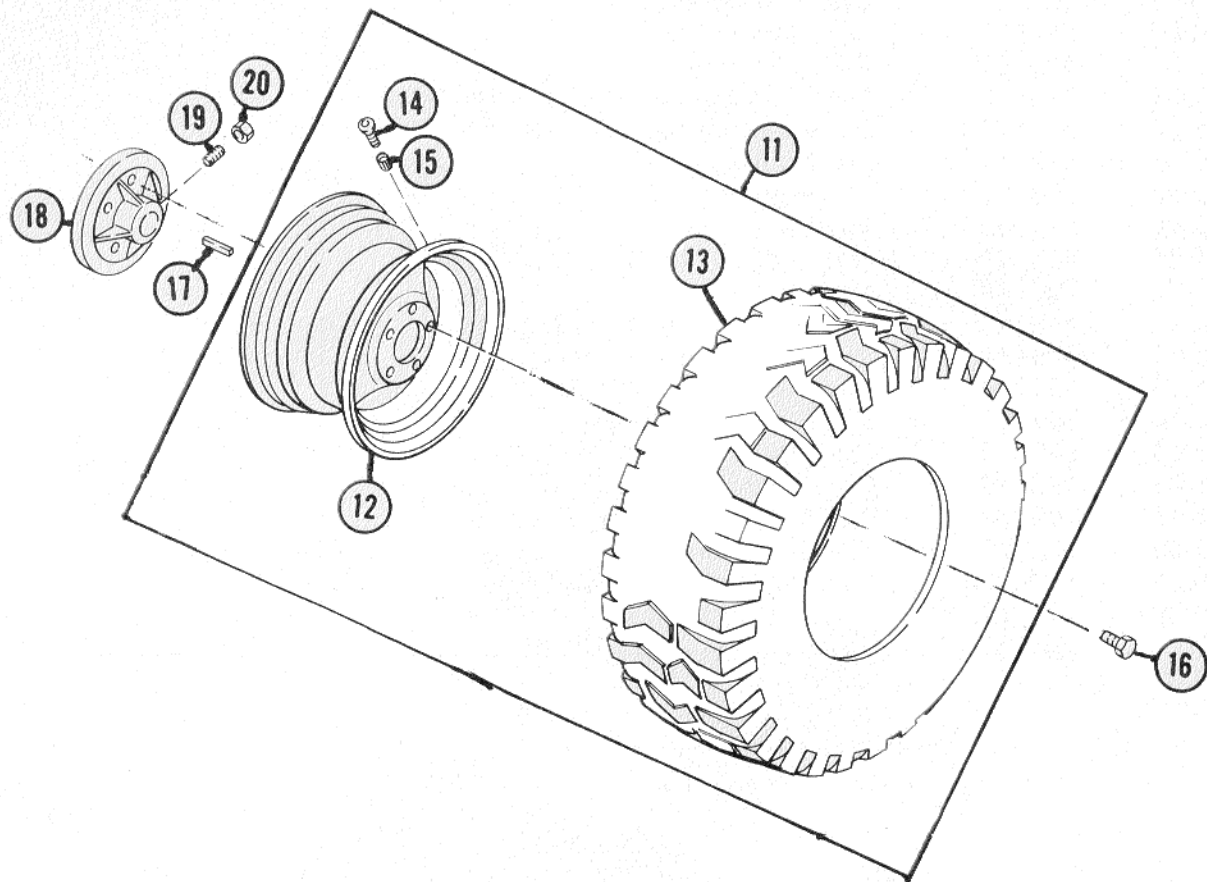
Figure E11B. ELECTRICAL SYSTEM



E13.000 WHEELS AND TIRES (FIG. 13)

ITEM NO.	PART NO.	DESCRIPTION	NO. REQ'D.
13-01	522071	Wheel & Tire Assembly, Front	2
13-02	515288	Wheel, Front	1
13-03	518082	Valve	1
13-04	518938	Cap, Valve	1
13-05	518213	Bearing, Front Wheel	2
13-06	518936	Grease Fitting	1
13-07	519074	Tire, Front	1
13-08	513462	Washer, $\frac{3}{4}$ Narrow	1
13-09	513756	Retaining Ring	1
13-10	103565	Hub Cap	1
13-11	521903	Wheel and Tire Assembly, Rear	2
13-12	515148	Wheel, Rear	1
13-13	519065	Tire, 23 x 8.50-12, Rear	1
13-14	518884	Valve	1
13-15	518938	Cap, Tire Valve	1
13-16	518144	Wheel Lug	10
13-17	513442	Woodruff Key $\frac{1}{4}$ x 1-1/8	2
13-18	517346	Hub	2
13-19	513685	Set Screw, Sq. Hd. 5/16-18 x 1	2
13-20	513299	Nut, Hex Jam 5/16-18	2

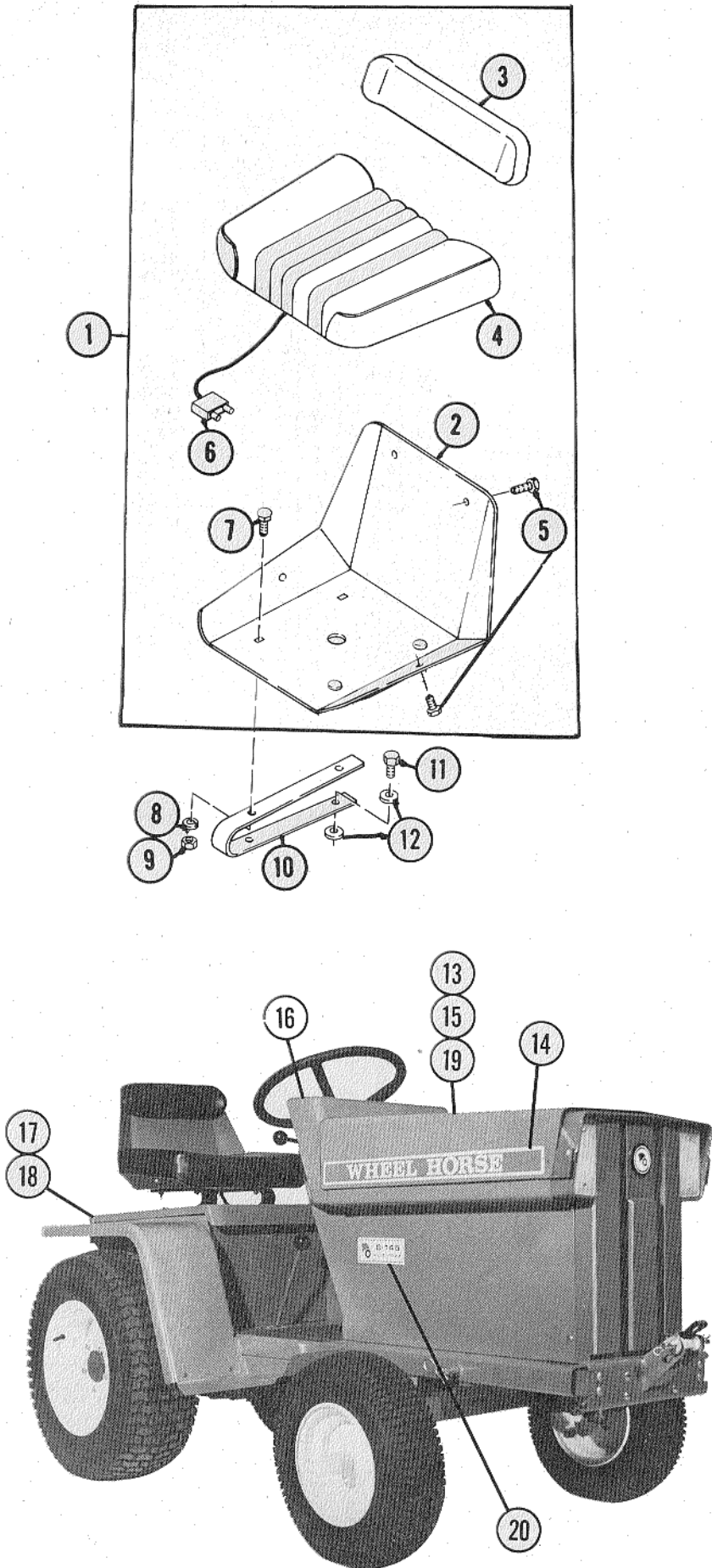
Figure E13. WHEELS AND TIRES



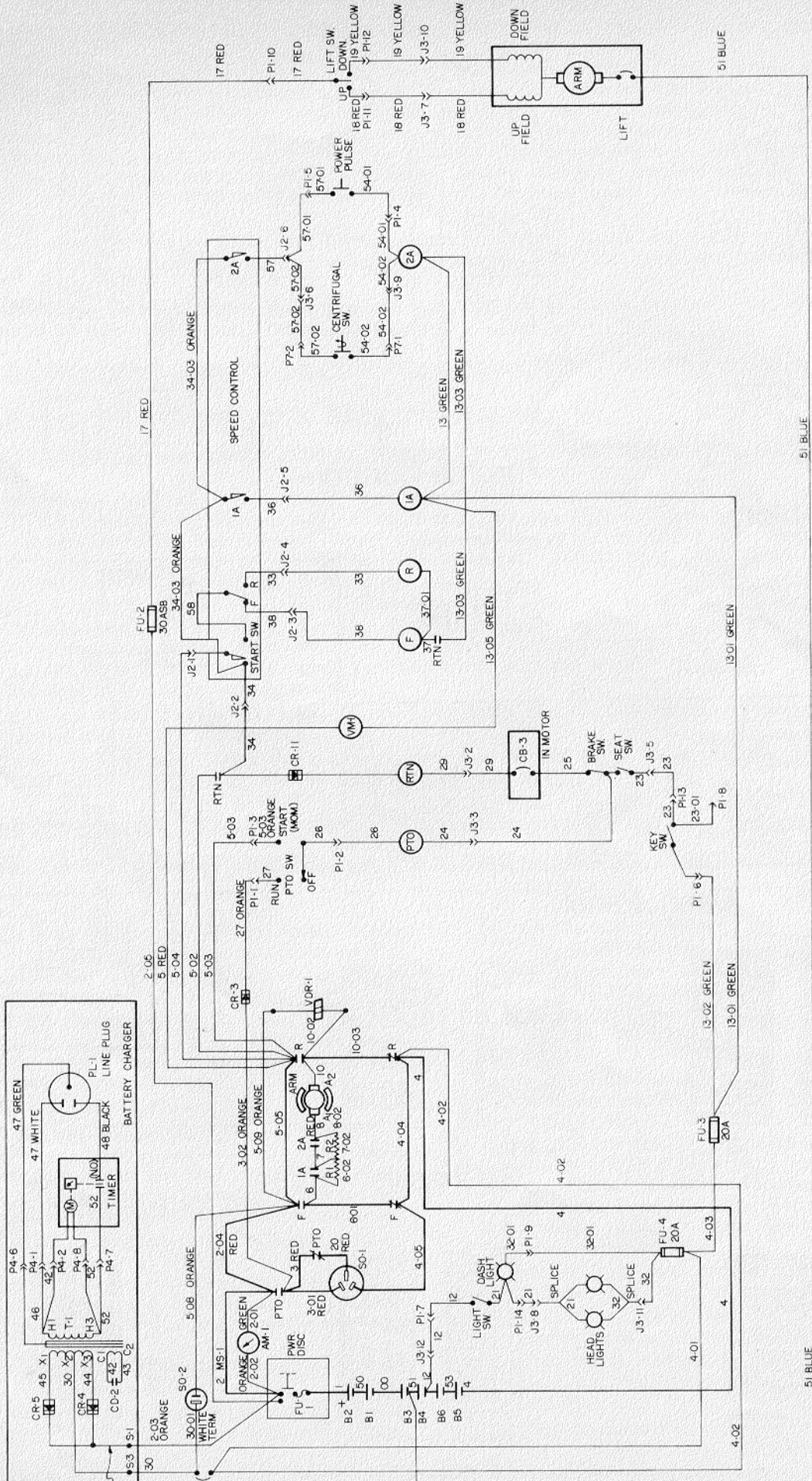
E15.000 SEAT, DECALS, MISC. TRIM (FIG. 15)

ITEM NO.	PART NO.	DESCRIPTION	NO. REQ'D.
15-01	523049	Seat Assembly	1
15-02	523050	Seat Base	1
15-03	518880	Back Cushion	1
15-04	523051	Seat Cushion Assembly, with Switch	1
15-05	513641	Screw, Machine Indented Hex Washer Head	5
15-06	518157	Pin Housing	1
15-07	513635	Carriage Bolt, 5/16-18 x 1	4
15-08	513468	Washer 5/16	4
15-09	513295	Nut, Hex 5/16-18	4
15-10	103145	Spring, Seat	2
15-11	513341	Bolt, Hex 5/16-18 x 1	4
15-12	513468	Washer, 5/16	4
15-13	521966	Decal (Hood)	1
15-14	102831	Decal, Wheel Horse	2
15-15	517673	Fuse Decal	1
15-16	523089	Decal, Dash/Instructions	1
15-17	103174	Decal, Wheel Horse (Rear)	1
15-18	102929	Tail Reflectors	2
15-19	517497	Decal, Caution (Battery Cover)	2
15-20	104978	Decal, B-145	2

Figure E15. SEAT, DECALS, MISC. TRIM



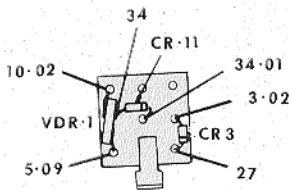
CONNECTION AND WIRING SCHEMATIC



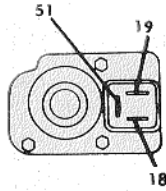
51 BLUE

51 BLUE

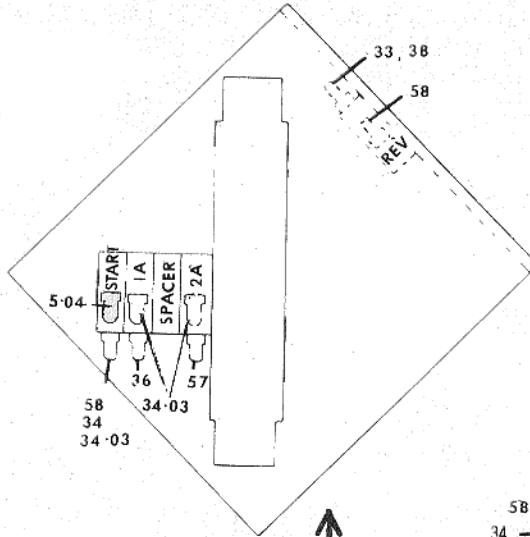
DETAILED WIRING VIEWS — B-145



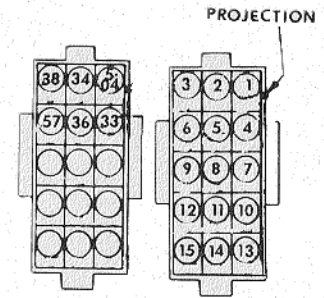
Diode-Varistor (G)



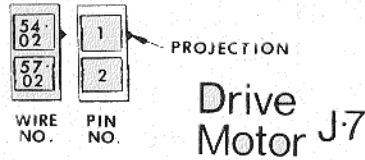
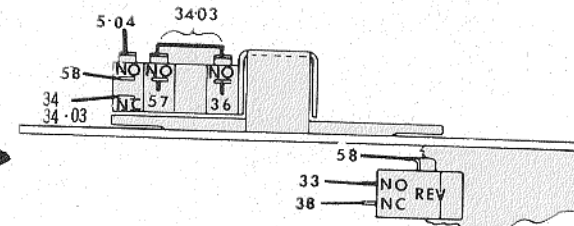
Lift Motor



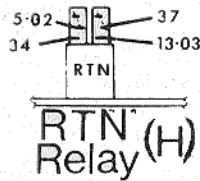
Throttle Control



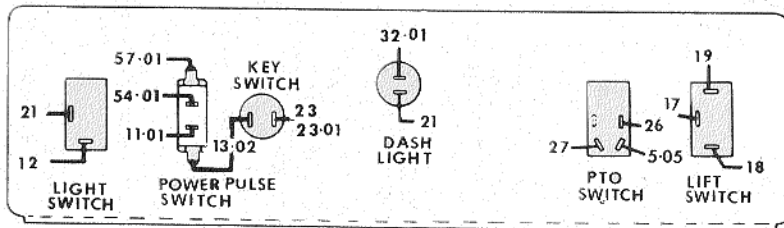
WIRE NO. PIN NO.
J-2 Speed Control



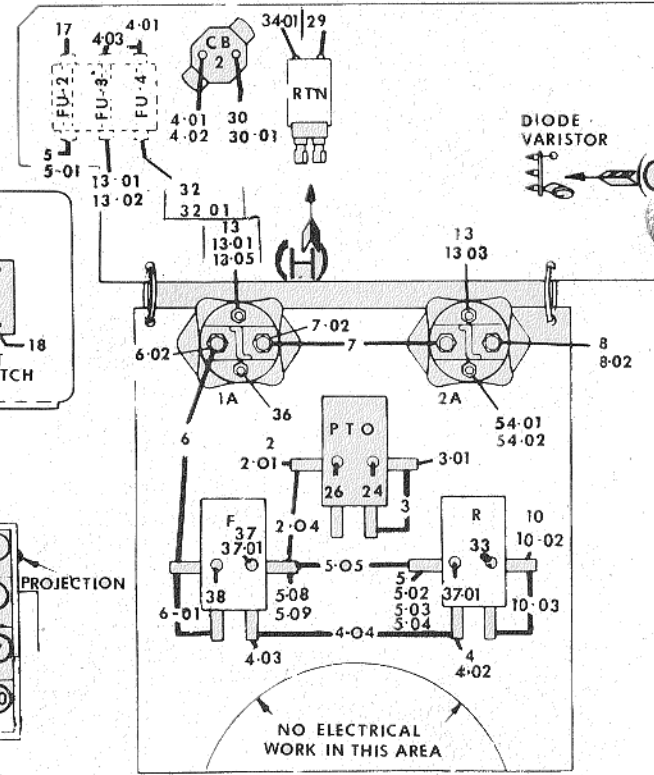
Drive Motor J-7



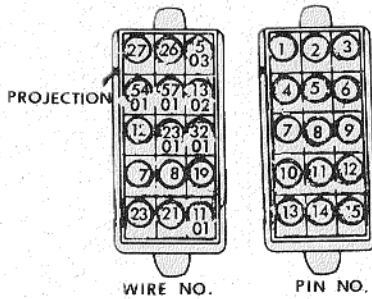
RTN Relay (H)



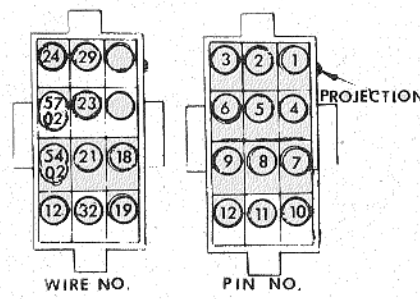
Dash Panel



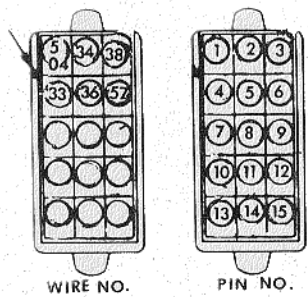
Control Panels



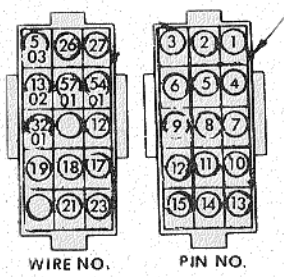
P-1 Dash



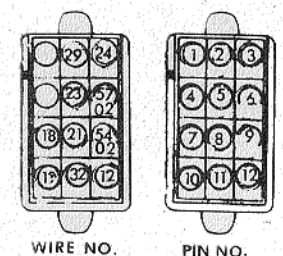
J-3 Chassis



P-2 Speed Control



J-1 Dash



P-3 Chassis

“Wheel Horse Products, Inc. warrants that it will replace without charge any part supplied as an original equipment component of any 1975 or later model garden tractor, lawn tractor, riding mower or serialized attachment, carrying the brand name “Wheel Horse”, which proves to be defective due to faulty workmanship or material in manufacture for one year (365 days) after date of purchase by the original owner. The exceptions are: “Wheel Horse” brand batteries which are covered by a separate Battery Warranty. Engines and Peerless Transmissions are covered by their respective manufacturers under their own separate warranty policies.

All service work must be performed by an Authorized Wheel Horse dealer. Transporting the unit to and from the servicing dealer and any state and local taxes are the responsibility of the owner.

The foregoing warranty states the entire obligation of Wheel Horse Products, Inc. and is in lieu of all other warranties whether expressed or implied.”

1975 WHEEL HORSE POWER PACK BATTERY WARRANTY

“Wheel Horse Products, Inc. warrants that it will replace without charge any “Wheel Horse” brand battery supplied as original equipment in any 1975 or later Model A-60, A-65, B-145 or C-185 Riding Lawn Mower or Garden Tractor which proves to be defective due to faulty workmanship or material in manufacture within one year (365 days) after date of purchase by the original owner.

After 12 months (365 days) but within 36 months (1095 days) the battery will be replaced upon payment of a Pro Rata usage charge equal to one-thirty-seventh (1/37) of the factory suggested list price for such battery at the time of replacement for each month or substantial portion thereof which has elapsed between the date of the original purchase of the unit and the date of the battery replacement.

Transporting the battery to and from the servicing dealer and any other state and local taxes are the responsibility of the owner.

The foregoing warranty states the entire obligation of Wheel Horse Products, Inc. and is in lieu of all other warranties whether expressed or implied.”

PROCEDURE TO OBTAIN SERVICE UNDER YOUR WHEEL HORSE WARRANTY

1. Contact your Authorized Wheel Horse Dealer from whom you purchased your equipment.
2. Or, contact any Authorized Wheel Horse Dealer if for some reason it is impractical for you to contact the dealer from whom you purchased your equipment. If you do not know his name, check the yellow pages of your local telephone book under “Lawn Mowers”.
3. Engines (gasoline powered) in your Wheel Horse are warranted separately by their manufacturer.
4. Peerless transmissions and differentials used in A-60, A-65, A-80, B-145, and C-185 models are warranted separately by their manufacturer.
5. In most cases engines and Peerless transmissions and differential warranty will be handled by your Authorized Wheel Horse Dealer. Most of our dealers are authorized service outlets. If he is not, he will advise you where your equipment can be repaired by checking the yellow pages of your local telephone book under “Engines-Gasoline”.
6. If further assistance is required, please contact the service department of the applicable manu-

facturer as shown below:

Tecumseh Products Company
Grafton, WI 53024
(414) 377-2700

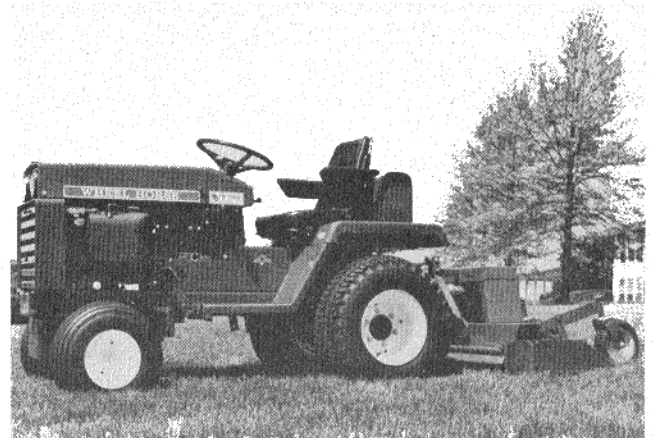
The Kohler Company
Kohler, WI 53044
(414) 457-4441

Briggs & Stratton Corp.
Milwaukee, WI 53201
(414) 461-1212

7. If you still are unable to get an engine, transmission or differential warranty problem solved, please write to “Customer Service Department” Wheel Horse Products, Inc., 515 West Ireland Road, South Bend, Indiana 46614, giving the following information:
 - A. Model and serial number of your tractor, riding mower and/or engine.
 - B. Original purchase date.
 - C. Dealer from whom you purchased the unit.
 - D. Your name, address and telephone number.
 - E. Describe your problem as completely as possible.

You will be contacted promptly.

Wheel Horse has been matching lawn and garden needs since 1946.



PERFORMANCE

Thousands of owners each year can attest to our determination to fit the right tractor to the job. We've been building lawn and garden equipment for 29 years. That's why Wheel Horse has grown from a backyard garage shop to a large, modern manufacturing facility. Automated assembly procedures, tight quality control and demanding inspections carry on the uniform quality that began back in 1946.

ENGINEERING

Quality tractors require innovative engineering. Examples are our patented Uni-drive transmission — a cast iron encased unit with heavy-duty parts throughout or our manual attachment clutch that is easily serviced or repaired. All products are engineered for minimum maintenance. We're confident you'll enjoy many trouble-free hours of service with your Wheel Horse tractor.

DEALER SALES AND SERVICE

Rounding out Wheel Horse dependability is a nationwide network of dealers who sell and service our tractors. Should your Wheel Horse need service some day, your authorized Wheel Horse dealer is specially trained to do the job. He stocks genuine Wheel Horse parts and attachments to meet your exacting needs. You'll find him listed in the yellow pages under "Lawn Mowers."



"I've Got a Horse" decals are yours free, just for sending a self-addressed stamped envelope to:

DECALS — WHEEL HORSE PRODUCTS, INC.
515 WEST IRELAND ROAD • SOUTH BEND, INDIANA 46614



WHEEL HORSE

lawn & garden tractors

515 West Ireland Road, South Bend, Indiana 46614