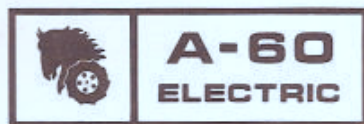


1975 PARTS MANUAL

for



FACTORY ORDER NO. 13-5000

ELECTRIC HORSE™



WHEEL HORSE

lawn & garden tractors

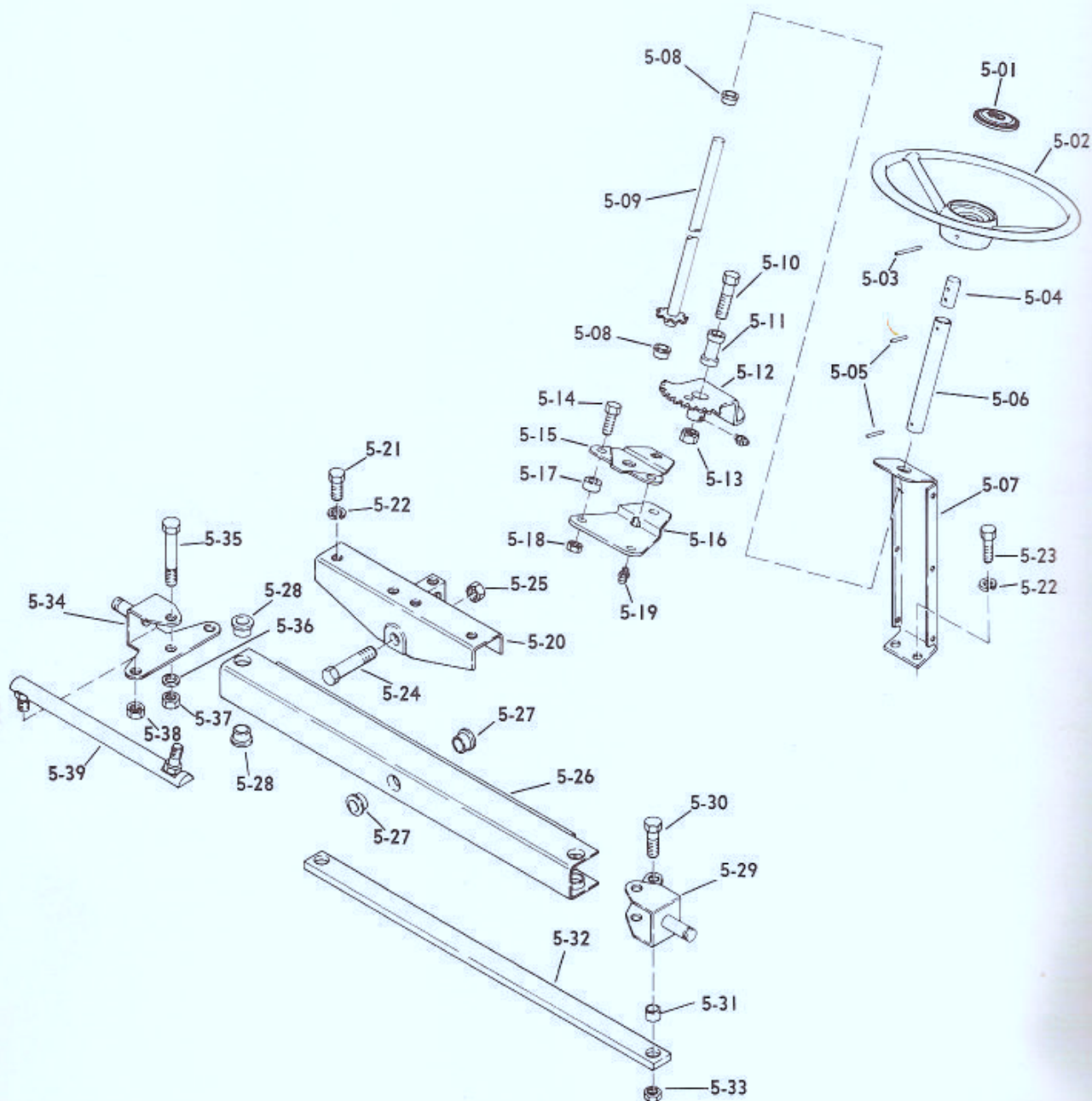
Price \$1.00

FORM NO. 803972

INDEX

GROUP		PAGE
5.000	Front Axle and Steering	3
6.000	Brake, Speed Control Linkage	5
7.000	Hitches and Lift Linkage	7
8.000	Sheet Metal and Covers	9
9.000	Motor, Transmission and Drive System	11
11.000	Electrical System	13
13.000	Wheels and Tires	15
15.000	Seat, Decals, Miscellaneous Trim	17
	A-60 32" Mowing Unit	19
	Wiring Diagram	21

FIG. 5 FRONT AXLE AND STEERING

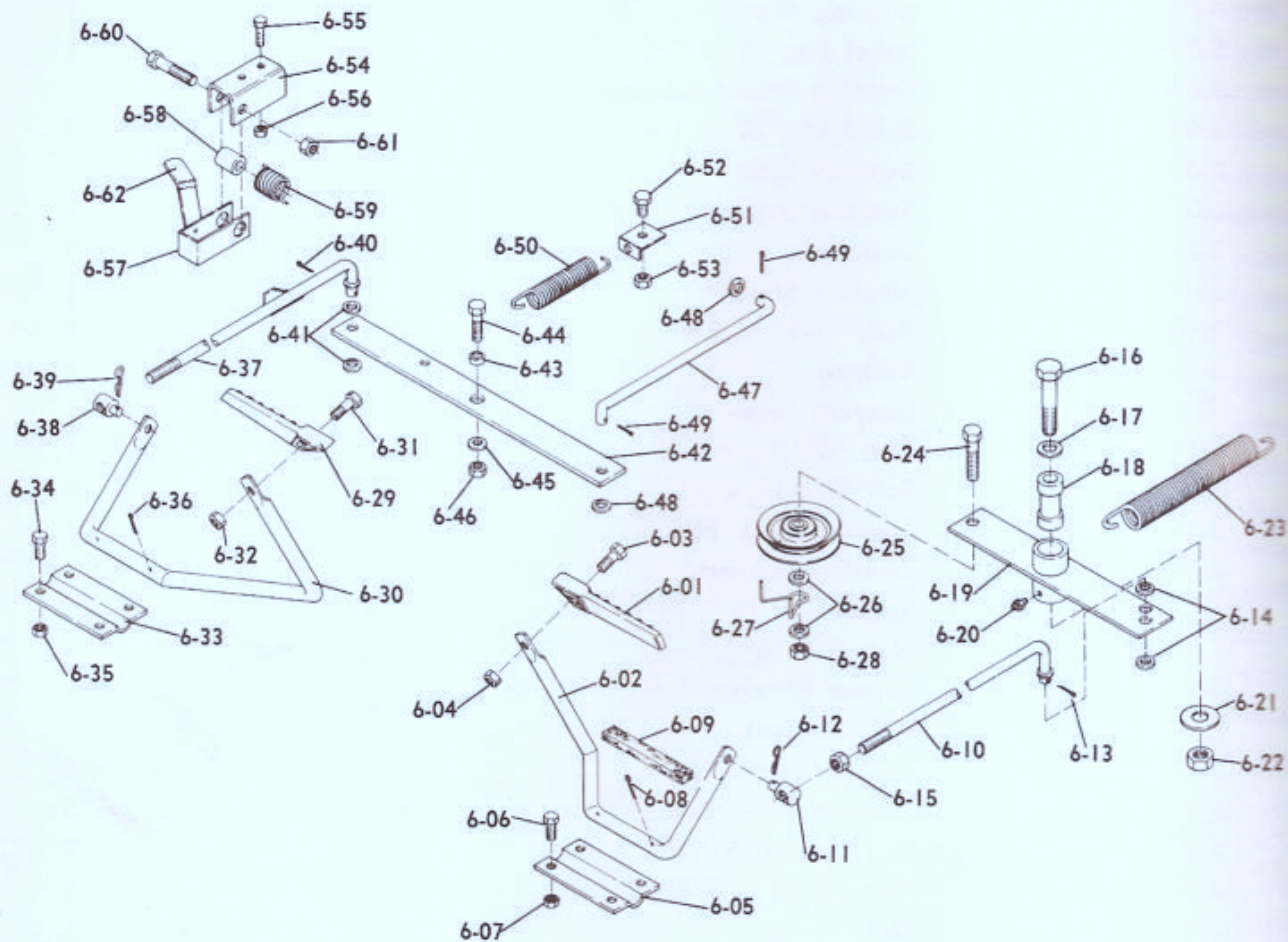


A-60 PARTS MANUAL

5.000 FRONT AXLE AND STEERING (FIG. 5)

ITEM NO.	PART NO.	DESCRIPTION	NO. REQ'D.
5-01	102856	Steering Wheel Insert	1
5-02	102715	Steering Wheel	1
5-03	933223	Spirol Pin, 1/4 x 2 1/2	1
5-04	7424	Steering Wheel Adapter	1
5-05	933217	Spirol Pin, 1/4 x 1 1/2	2
5-06	104300	Steering Tube	1
5-07	6669	Steering Support	1
5-08	101442	Bushing	2
5-09	5787	Steering Shaft	1
5-10	908064	Bolt, 1/2-13 x 2 3/4	1
5-11	102623	Bushing	1
5-12	104380	Steering Sector	1
5-13	915115	Nut, 1/2-13	1
5-14	908037	Bolt, 3/8-16 x 1 3/4	2
5-15	104250	Steering Gear Support	1
5-16	104381	Steering Support	1
5-17	100313	Spacer	2
5-18	915113	Nut, 3/8-16	2
5-19	1030	Grease Fitting	2
5-20	5778	Axle Support	1
5-21	908030	Bolt, 3/8-16 x 1/2	3
5-22	920083	Lockwasher — 3/8	5
5-23	908031	Bolt, 3/8-16 x 5/8	2
5-24	5795	Bolt, 1/2-13 x 3 Special	1
5-25	915115	Nut, 1/2-13	1
5-26	104247	Front Axle	1
5-27	101441	Bushing	2
5-28	102811	Bushing	4
5-29	5783	L. H. Arm & Spindle Assembly	1
5-30	908034	Bolt, 3/8-16 x 1	2
5-31	4937	Spacer	2
5-32	5796	Drag Link	1
5-33	915663	Nut, 3/8-16 E. S.	2
5-34	104382	R. H. Arm & Spindle Assembly	1
5-35	102762	Shoulder Bolt	2
5-36	920211	Washer — 3/8	2
5-37	915663	Nut, 3/8-16 E. S.	2
5-38	915002	Nut, 3/8-24	2
5-39	104376	Ball Joint	1

FIG. 6 BRAKE, SPEED CONTROL LINKAGE



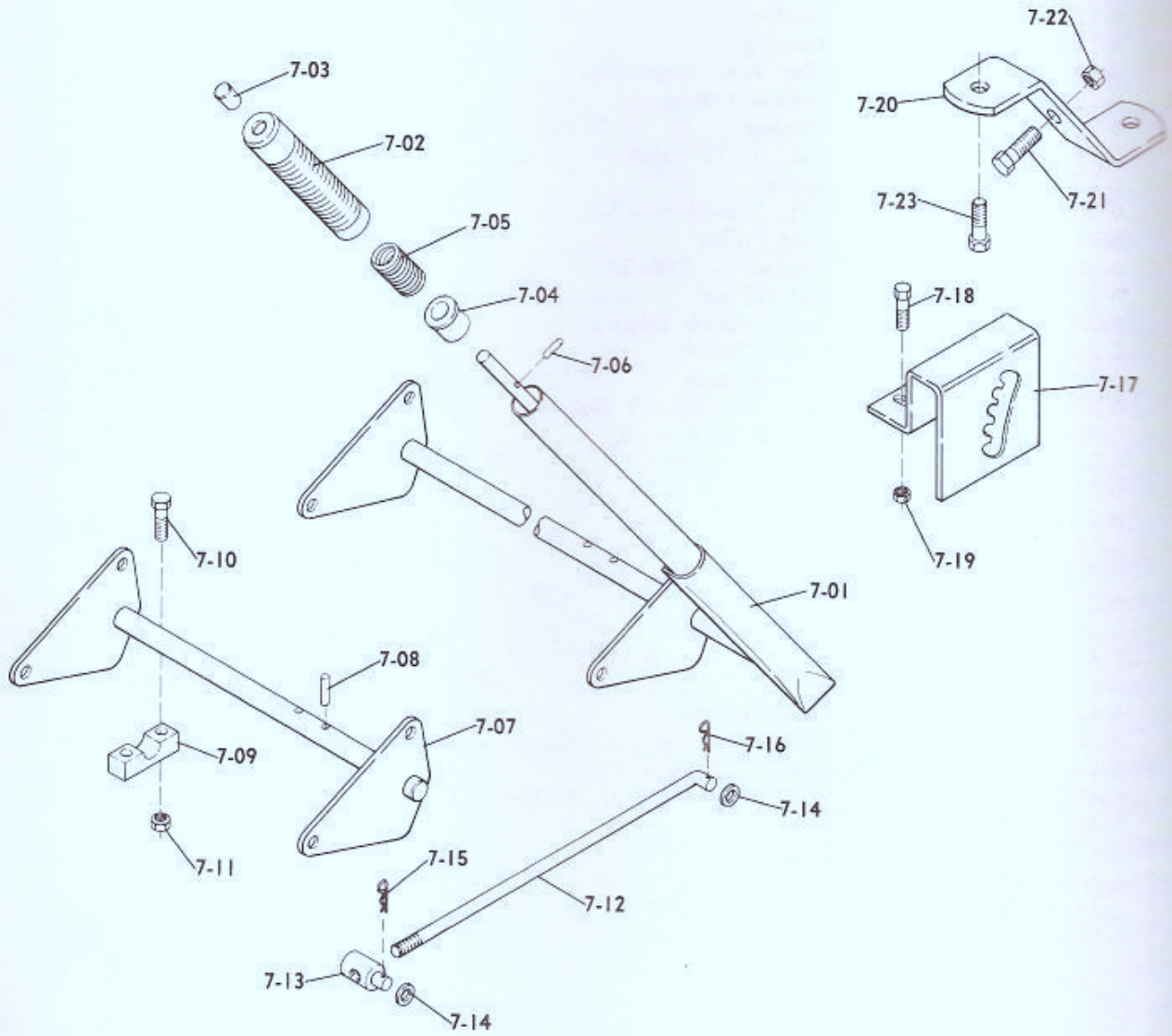
ITEM NO.	PART NO.	DESCRIPTION	NO. REQ'D.
6-01	104232	Clutch Pedal	1
6-02	104230	L. H. Control Arm	1
6-03	900063	Bolt, 3/8-16 x 1 Carriage	1
6-04	915663	Nut, 3/8-16 E. S.	1
6-05	5842	Pedal Bracket	1
6-06	908002	Bolt, 1/4-20 x 5/8	4
6-07	915111	Nut, 1/4-20 Eslok	4
6-08	932017	Cotter Pin, 1/8 x 1	2
6-09	104671	Mat Padding	1
6-10	104234	Clutch Rod Assembly	1

A-60 PARTS MANUAL

6.000 BRAKE, SPEED CONTROL LINKAGE (FIG. 6)

ITEM NO.	PART NO.	DESCRIPTION	NO. REQ'D.
6-11	5791	Trunnion	1
6-12	933505	Hairpin Cotter	1
6-13	932008	Cotter Pin, 5/32 x 3/4	1
6-14	920248	Washer — 3/8 Nylon	2
6-15	915113	Nut, 3/8-16 Eslok	1
6-16	908064	Bolt, 1/2-13 x 2 3/4	1
6-17	3765	Washer	1
6-18	102623	Bushing	1
6-19	104236	Idler Arm Assembly	1
6-20	1030	Grease Fitting	1
6-21	920041	Washer — 1/2 U. S. Std.	1
6-22	915115	Nut, 1/2-13 Eslok	1
6-23	8436	Spring	1
6-24	908037	Bolt, 3/8-16 x 1 3/4	1
6-25	8205	Idler Pulley	1
6-26	920009	Washer — 3/8 SAE	2
6-27	104351	Belt Guide	1
6-28	915113	Nut, 3/8-16 Eslok	1
6-29	104233	Brake Pedal	1
6-30	104231	Control Arm	1
6-31	900063	Bolt, 3/8-16 x 1 Carriage	1
6-32	915663	Nut, 3/8-16 E. S.	1
6-33	5842	Pedal Bracket	1
6-34	908001	Bolt, 1/4-20 x 1/2	4
6-35	915111	Nut, 1/4-20 Eslok	4
6-36	932017	Cotter Pin, 1/8 x 1	2
6-37	104238	Brake Rod Assembly	1
6-38	5791	Trunnion	1
6-39	933505	Hairpin Cotter	1
6-40	932016	Cotter Pin, 1/8 x 3/4	1
6-41	920248	Washer — 3/8 Nylon	2
6-42	104240	Brake Lever	1
6-43	9688	Spacer	1
6-44	908021	Bolt, 5/16-18 x 1 1/2	1
6-45	920038	Washer — 5/16 U. S. Std.	1
6-46	915662	Nut, 5/16-18 E. S.	1
6-47	104241	Brake Rod	1
6-48	920009	Washer — 3/8 SAE	2
6-49	932016	Cotter Pin, 1/8 x 3/4	2
6-50	9170	Brake Spring	1
6-51	104242	Spring Clip	1
6-52	908002	Bolt, 1/4-20 x 5/8	1
6-53	915111	Nut, 1/4-20 Eslok	1
6-54	104243	Parking Brake Bracket	1
6-55	908030	Bolt, 5/16-18 x 1/2	2
6-56	915112	Nut, 5/16-18 Eslok	2
6-57	104244	Brake Lever Assembly	1
6-58	102025	Spacer	1
6-59	104246	Torsion Spring	1
6-60	908037	Bolt, 3/8-16 x 1 3/4	1
6-61	915113	Nut, 3/8-16 Eslok	1
6-62	6820	Grip	1

FIG. 7 HITCHES AND LIFT LINKAGE

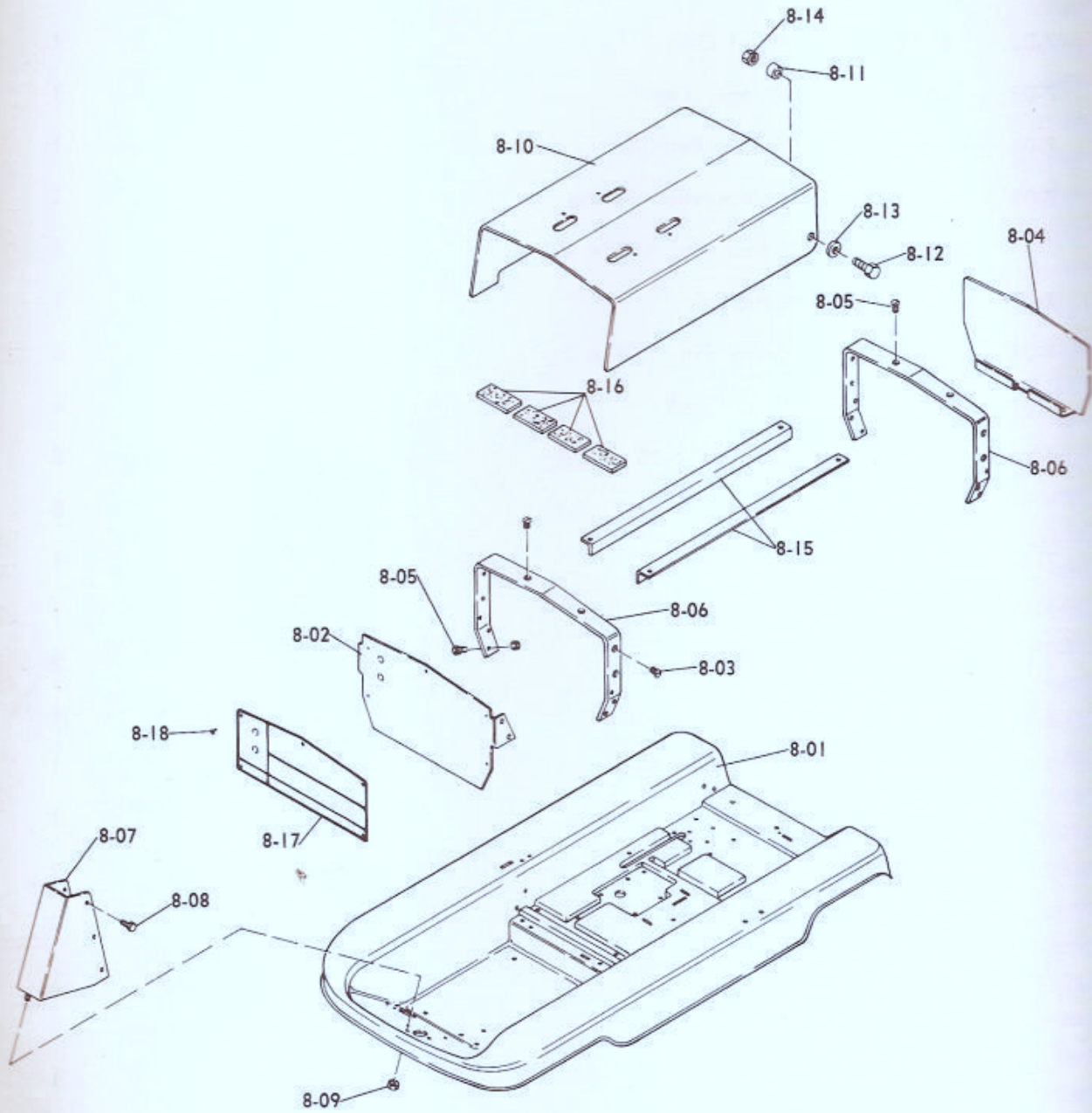


A-60 PARTS MANUAL

7.000 HITCHES AND LIFT LINKAGE (FIG. 7)

ITEM NO.	PART NO.	DESCRIPTION	NO. REQ'D.
7-01	104251	Bellcrank Assembly	1
7-02	6542	Hand Grip	1
7-03	3680	Plunger Cap	1
7-04	8130	Spring Retainer	1
7-05	6547	Compression Spring	1
7-06	933148	Spirol Pin, 1/8 x 1/2	1
7-07	104257	Bellcrank	1
7-08	933188	Spirol Pin, 1/8 x 1	4
7-09	104259	Pivot Block	4
7-10	908020	Bolt, 5/16-18 x 1 1/4	8
7-11	915662	Nut, 5/16-18 E. S.	8
7-12	4384	Rod	1
7-13	101161	Trunnion	1
7-14	920249	Washer — Nylon	2
7-15	933505	Hairpin Cotter	1
7-16	933504	Hairpin Cotter	1
7-17	104261	Quadrant	1
7-18	908017	Bolt, 5/16-18 x 1	2
7-19	915112	Nut, 5/16-18 Eslok	2
7-20	104320	Hitch Bar	1
7-21	908034	Bolt, 3/8-16 x 7/8	1
7-22	915113	Nut, 3/8-16 Eslok	1
7-23	926698	Bolt, 5/16-18 x 1 1/4 Swage Form	1

FIG. 8 SHEET METAL AND COVERS

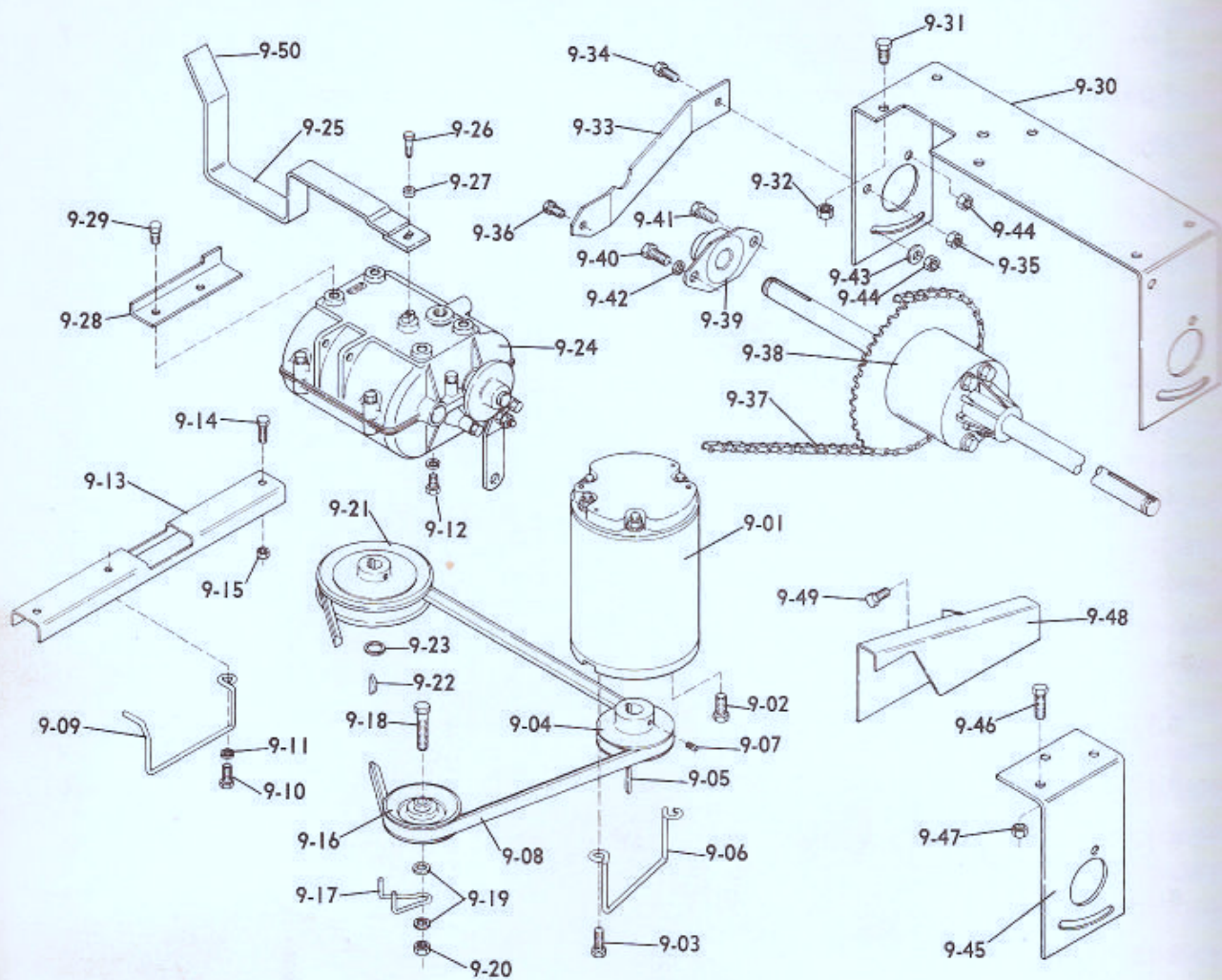


A-60 PARTS MANUAL

8.000 SHEET METAL AND COVERS (FIG. 8)

ITEM NO.	PART NO.	DESCRIPTION	NO. REQ'D.
8-01	103586	Body	1
	104317	Floor Mat	1
8-02	104283	Front Panel	1
8-03	104406	Screw, Flat Hd. Cr. 1/4-20 x 3/4 Swage Form	4
8-04	104284	Rear Panel	1
8-05	926694	Bolt, 5/16-18 x 5/8 Swage Form	10
8-06	104285	Hoop	2
8-07	5824	Shroud Assembly	1
8-08	960150	Screw, 1/4-20 x 3/8 Whizlock	6
8-09	915113	Nut, 3/8-16 Eslok	1
8-10	104296	Hood	1
	9460	Hood Support Cord	2
	920037	Washer — 1/4	3
	915112	Nut, 1/4-20 Eslok	1
8-11	102675	Bushing	2
8-12	908017	Bolt, 5/16-18 x 3/4	2
8-13	920008	Washer — 5/16 SAE	2
8-14	915662	Nut, 5/16-18 E. S.	2
8-15	104295	Seat Support Angle	2
8-16	101444	Foam Tape	4
8-17	104334	Instruction Plate	1
8-18	100609	Plate Screws	5

FIG. 9 MOTOR, TRANSMISSION AND DRIVE SYSTEM

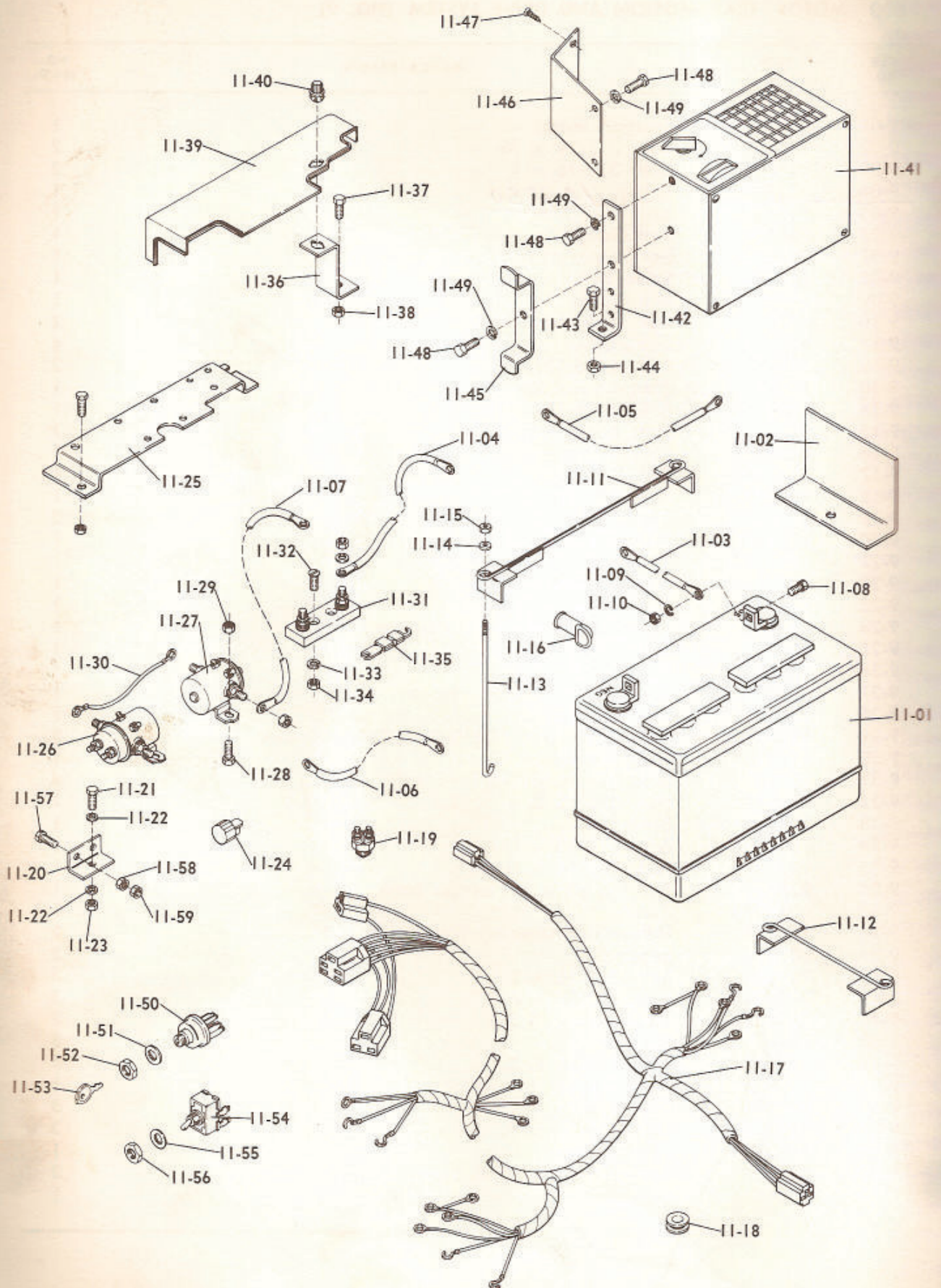


A-60 PARTS MANUAL

9.000 MOTOR, TRANSMISSION AND DRIVE SYSTEM (FIG. 9)

ITEM NO.	PART NO.	DESCRIPTION	NO. REQ'D.
9-01	104286	Traction Motor	1
9-02	908017	Bolt, 3/8-16 x 3/4	2
9-03	908019	Bolt, 3/8-16 x 1	2
9-04	104288	Pulley <u>104950</u>	1
9-05	1005	Key	1
9-06	104289	Belt Guide	1
9-07	909862	Set Screw, 5/16-18 x 5/16 Nylok	1
9-08	104290	Drive Belt	1
9-09	104291	Belt Guide	1
9-10	908018	Bolt, 5/16-18 x 7/8	2
9-11	920082	Lockwasher - 5/16	4
9-12	908015	Bolt, 5/16-18 x 1/2	2
9-13	104325	Transmission Brace	1
9-14	908017	Bolt, 5/16-18 x 3/4	1
9-15	915662	Nut, 5/16-18 E. S.	1
9-16	8205	Idler Pulley	1
9-17	104351	Belt Guide	1
9-18	908037	Bolt, 3/8-16 x 1 3/4	1
9-19	920009	Washer - 3/8 SAE	2
9-20	915113	Nut, 3/8-16	1
9-21	104224	Pulley, 4" O. D.	1
9-22	937014	Key, #9 Woodruff	1
9-23	936121	Snap Ring - 5/8	1
9-24	104222	Transmission Assembly (Peerless - 706)	1
9-25	104820	Shift Lever Assembly	1
9-26	960165	Bolt, 1/4-28 x 3/4	1
9-27	920037	Washer - 1/4 U. S. Std.	1
9-28	104225	Stop Reverse	1
9-29	926694	Bolt, 5/16-18 x 5/8 Swage Form	2
9-30	104824	Axle Bracket	1
9-31	908033	Bolt, 3/8-16 x 7/8	4
9-32	915663	Nut, 3/8-16 E. S.	4
9-33	104827	Brace	1
9-34	908035	Bolt, 3/8-16 x 1 1/4	1
9-35	915663	Nut, 3/8-16 E. S.	1
9-36	926673	Bolt, 1/4-20 x 3/4 Swage Form	1
9-37	104848	Chain	1
9-38	104228	Differential Assembly (Peerless - 167)	1
9-39	104227	Bearing	3
9-40	908034	Bolt, 3/8-16 x 1	3
9-41	908033	Bolt, 3/8-16 x 7/8	3
9-42	920038	Washer - 3/8 Std.	3
9-43	2844	Washer	3
9-44	915663	Nut, 3/8-16 E. S.	6
9-45	104825	Axle Bracket	1
9-46	908035	Bolt, 3/8-16 x 1 1/4	3
9-47	915663	Nut, 3/8-16 E. S.	3
9-48	104323	Chain Shield	1
9-49	926694	Bolt, 5/16-18 x 5/8 Swage Form	2
9-50	100464	Grip	1

FIG. 11 ELECTRICAL SYSTEM

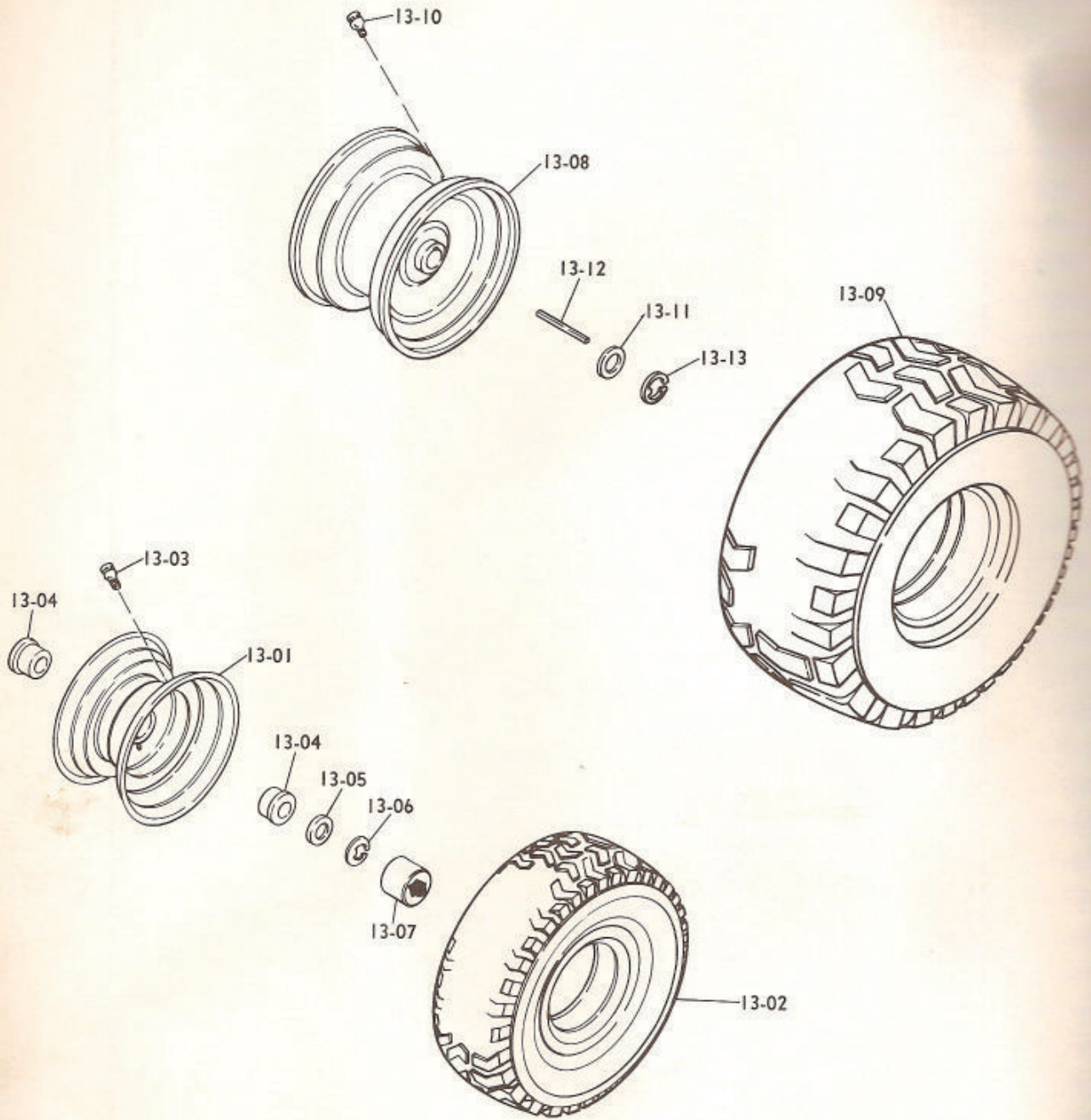


A-60 PARTS MANUAL

11.000 ELECTRICAL SYSTEM (FIG. 11)

ITEM NO.	PART NO.	DESCRIPTION	NO. REQ'D.
11-01	104273	Battery	3
	101390	Battery Cap	2
	104416	Battery Bag	3
11-02	104339	Battery Shield	2
11-03	104267	Battery Cable, Short	1
11-04	104265	Battery Cable, Positive	1
11-05	104266	Battery Cable, Negative	1
11-06	104268	Battery Cable, Rear to Front	1
11-07	104269	Cable, Solenoid to Fuse	1
11-08	908017	Bolt, 5/16-18 x 3/4	6
11-09	920082	Lockwasher — 5/16	6
11-10	915113	Nut, 5/16-18	6
11-11	104274	Hold Down Assembly	1
11-12	102877	Hold Down Assembly	1
11-13	104276	Hook	4
11-14	920007	Washer — 1/4 SAE	5
11-15	915661	Nut, 1/4-20 E. S.	4
11-16	104277	Battery Terminal Cover	7
11-17	104264	Wiring Harness	1
11-18	104248	Grommet	1
11-19	101845	Safety Switch	1
11-20	104294	Ground Bar	1
11-21	908017	Bolt, 5/16-18 x 3/4	1
11-22	920247	Washer — Nylon	2
11-23	915112	Nut, 5/16-18 Eslok	1
11-24	104272	Diode	1
11-25	104389	Mounting Plate	1
	908017	Bolt, 5/16-18 x 3/4	2
	915112	Nut, 5/16-18 Eslok	2
11-26	104293	Solenoid, Mower Motor	1
11-27	104292	Solenoid, Traction Motor	1
11-28	908001	Bolt, 1/4-20 x 1/2	4
11-29	915111	Nut, 1/4-20 Eslok	4
11-30	104326	Solenoid Wire	2
11-31	104262	Fuse Block	1
11-32	908796	Screw, Flat Head Machine #10-24 x 3/4	2
11-33	920079	Lockwasher	2
11-34	915538	Nut, #10-24	2
11-35	104866	Fuse, 70 Amp.	1
11-36	104431	Cover Strap	1
11-37	908001	Bolt, 1/4-20 x 1/2	1
11-38	915111	Nut, 1/4-20 Eslok	1
11-39	104279	Wiring Cover	1
11-40	104432	Release Button	1
11-41	104280	Charger	1
11-42	104281	Support Strap	1
11-43	908017	Bolt, 5/16-18 x 3/4	1
11-44	915112	Nut, 5/16-18 Eslok	1
11-45	104343	Cord Bracket	1
11-46	104282	Charger Bracket	1
11-47	104406	Screw, Flat Head 1/4-20 x 3/4 Swage Form	2
11-48	908015	Bolt, 5/16-18 x 1/2	4
11-49	920082	Lockwasher — 5/16	4
11-50	104270	Ignition Switch	1
11-51	920159	Lockwasher — 9/16 Internal Tooth	1
11-52	7261	Nut, 9/16-24	1
11-53	7262	Ignition Key, Set of 2	1
11-54	104271	Mower Switch	1
11-55	920158	Lockwasher — 1/2 Internal Tooth	1
11-56	104327	Nut, 1/2-27	1
11-57	908003	Bolt, 1/4-20 x 3/4	2
11-58	915111	Nut, 1/4-20 Eslok	2
11-59	915661	Nut, 1/4-20 E. S.	2

FIG. 13 WHEELS AND TIRES

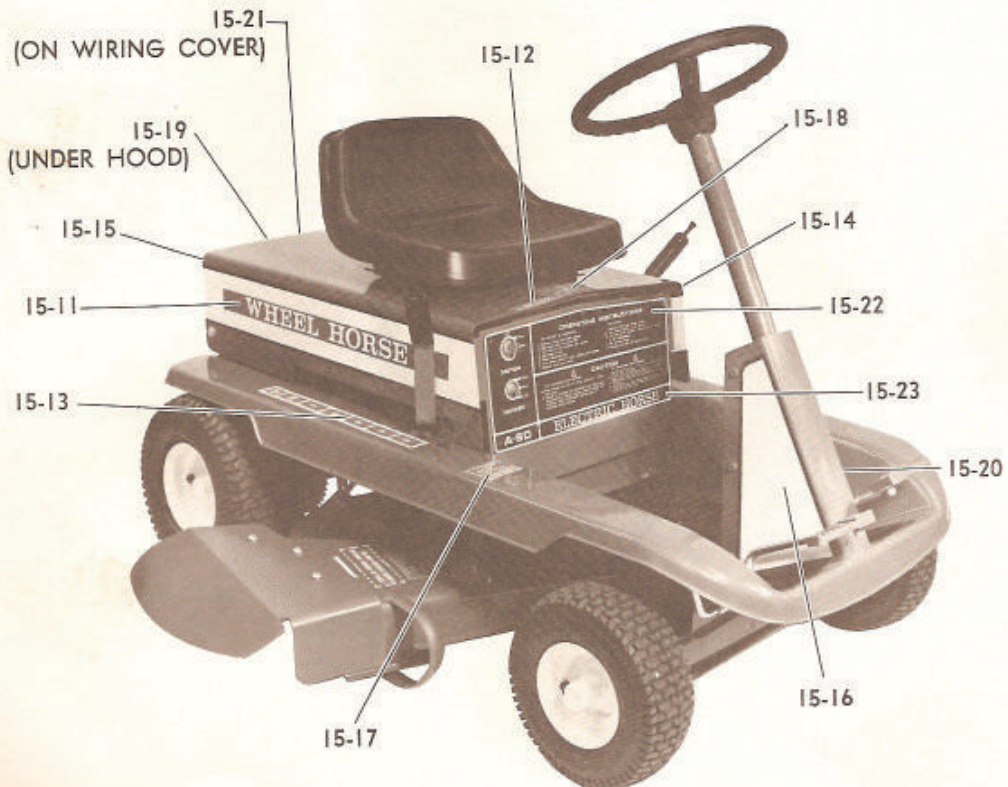
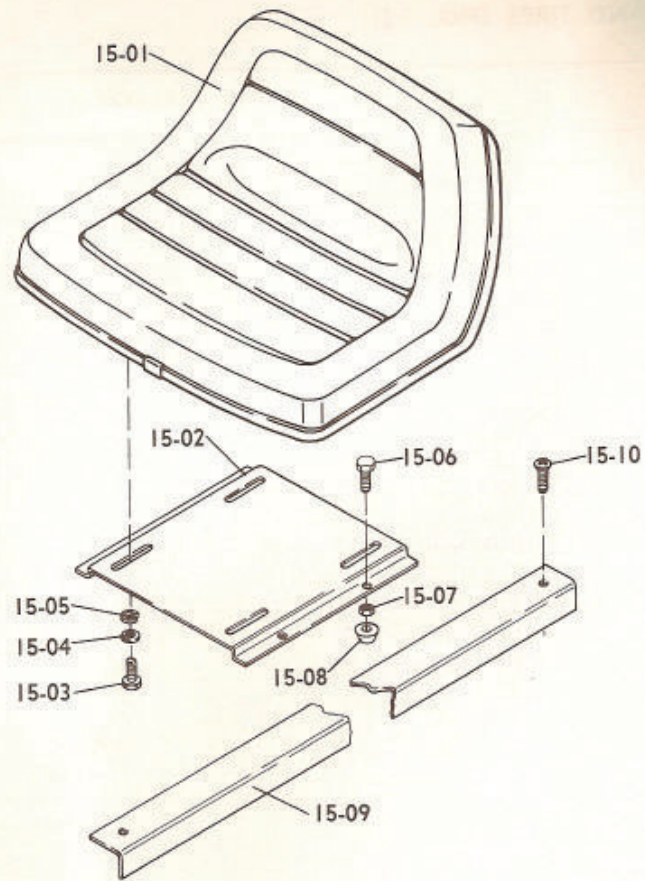


A-60 PARTS MANUAL

13.000 WHEELS AND TIRES (FIG. 13)

ITEM NO.	PART NO.	DESCRIPTION	NO. REQ'D.
13-01	104303	Front Wheel	2
13-02	104304	Tire	2
13-03	5108	Valve	2
13-04	6385	Bearing, Bushing-type - <i>100166P</i>	4
13-05	920250	Washer	2
13-06	5618	E-Ring, 3/4 Shaft	2
13-07	103634	Hub Cap	4
13-08	104306	Rear Wheel	2
13-09	104307	Tire	2
13-10	5108	Valve	2
13-11	1278	Washer	2
13-12	1120	Key	2
13-13	104822	Snap Ring	2

FIG. 15 SEAT, DECALS, MISC. TRIM

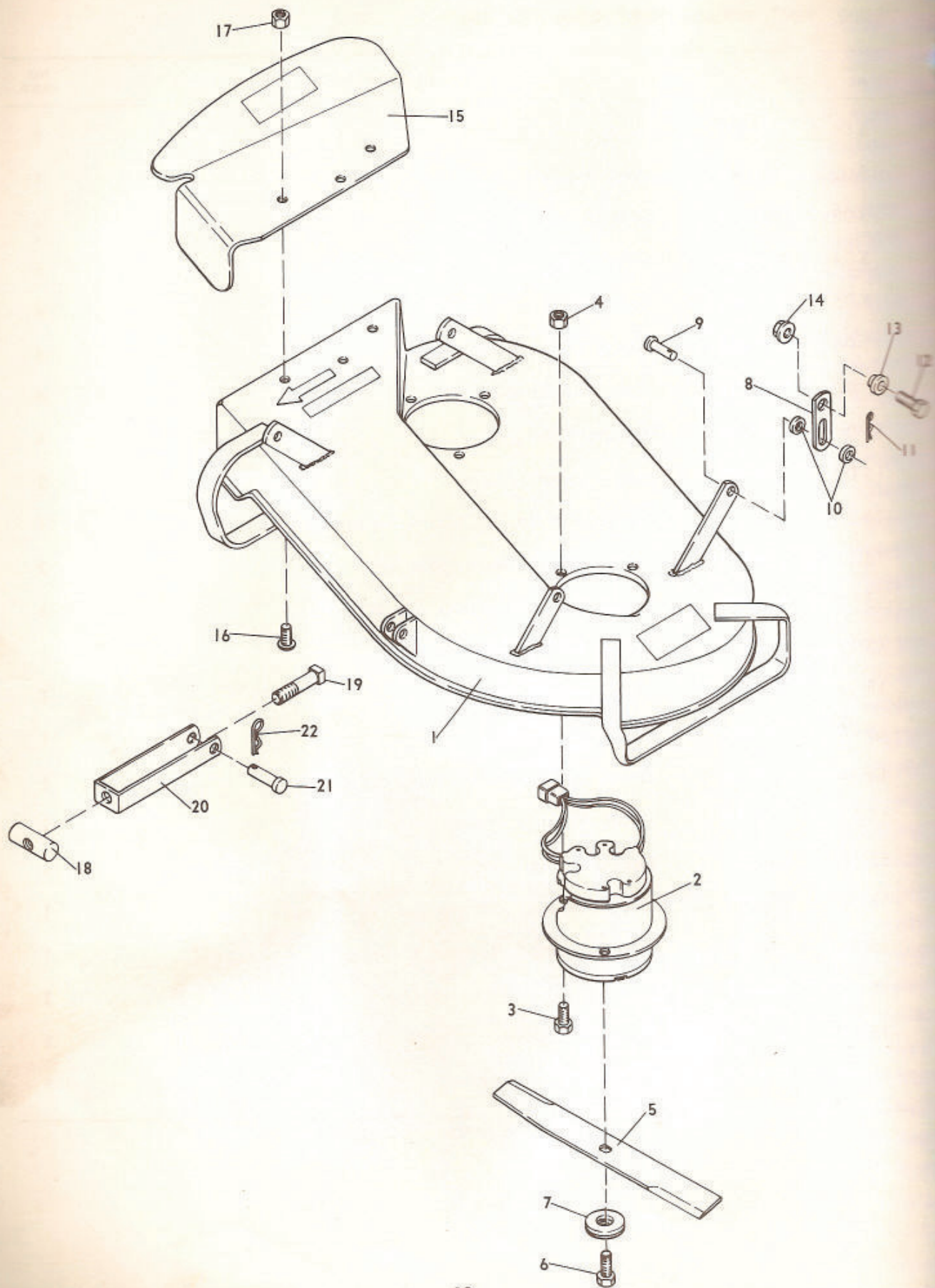


A-60 PARTS MANUAL

15.000 SEAT, DECALS, MISC. TRIM (FIG. 15)

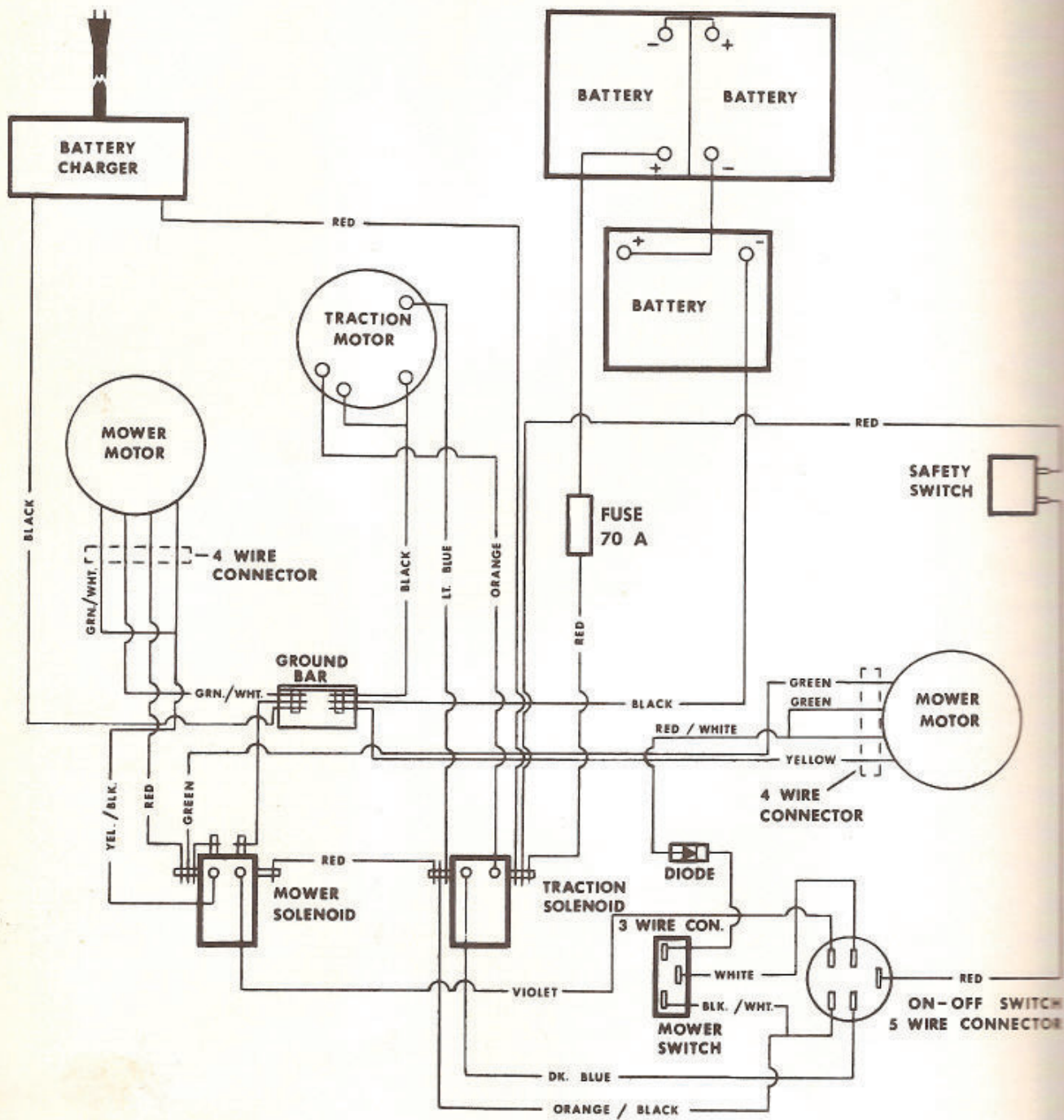
ITEM NO.	PART NO.	DESCRIPTION	NO. REQ'D.
15-01	104297	Seat	1
15-02	104298	Seat Support	1
15-03	908016	Bolt, 5/16-18 x 5/8	4
15-04	920038	Washer — 5/16 U. S. Std.	4
15-05	920082	Lockwasher — 5/16	4
15-06	911403	Screw, Hex #10-32 x 5/8	4
15-07	960005	Nut, #10-32 Whizlock	4
15-08	104299	Bumper	4
15-09	104295	Seat Support Angle	2
15-10	104406	Screw, Flat Hd. ¼-20 x ¾ Swage Form	4
15-11	104412	Decal, Wheel Horse, Side Trim	2
15-12	103568	Decal, Read Operators Manual	1
15-13	104328	Decal, Shift Pattern	1
15-14	104329	Decal, Mower Height	1
15-15	104883	Decal, A-60 Electric	1
15-16	104410	Decal, Steering Housing R. H.	1
15-17	104332	Decal, Parking Brake	1
15-18	104333	Decal, Caution	1
15-19	104372	Decal, Wiring Diagram	1
15-20	104411	Decal, Steering Housing L. H.	1
15-21	104455	Decal, Caution — Disconnect	1
15-22	104897	Instruction Plate	1
15-23	100609	Plate Screws	5

PARTS DRAWING — A-60 32" MOWING UNIT



PARTS LIST
A-60 32" MOWING UNIT
MODEL 5-8400

ITEM NO.	PART NO.	DESCRIPTION	NO. REQ'D.
1	104308	Mower Deck Assembly	1
2	104287	Blade Motor	2
3	908018	Bolt, 5/16-18 x 7/8	6
4	915662	Nut, 5/16-18 E. S.	6
5	101672	Blade (Two Blade Kit)	1
6	908046	Bolt, 7/16-14 Nylok	2
7	104812	Washer Assembly	2
8	104019	Lift Link	4
9	932962	Clevis Pin	4
10	920248	Washer — 3/8 Nylon	8
11	933505	Hairpin Cotter	4
12	908034	Bolt, 3/8-16 x 1	4
13	104859	Spacer	4
14	102809	Nut, 3/8-16 M. F. Flange	4
15	104316	Chute Extension	1
16	910864	Bolt, 5/16-18 x 5/8 Pan Hd.	3
17	915662	Nut, 5/16-18 E. S.	3
18	6830	Front Trunnion	1
19	900885	Bolt, 1/2-13 x 2 3/4 Sq. Hd.	1
20	6831	Clevis	1
21	932965	Clevis Pin	1
22	933505	Hairpin	1
	104356	Decal — Warning — Do Not Operate	1
	104335	Decal — Caution	1
	102962	Decal — Mower Width	1



Wiring Diagram