

# GENERAL ELECTRIC

OUTDOOR  
POWER EQUIPMENT  
OPERATION

GENERAL ELECTRIC COMPANY, CORPORATIONS PARK, BUILDING 702,  
SCHENECTADY, NEW YORK 12345, Phone (518) 374-2211

January 3, 1974

TO: ELEC-TRAK TRACTOR DEALERS

## PARTS BOOK INFORMATION - SNOW THROWER

INSERT THE ATTACHED FIGURES 16-12 AND 16-16 IN YOUR ELEC-TRAK PARTS BOOK UNDER THE "ACCESSORY" TAB.

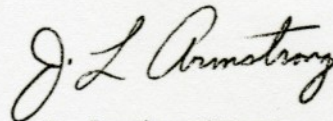
### CHANGES:

Figure 16-12: Stack drive parts may be ordered as assembly as shown by ordering Part No. 247A7790G1.

Figure 16-16: Lift mounting parts may be ordered as assembly as shown by ordering 247A7791G1.

These should be ordered direct from your local Elec-Trak parts distributor.

Sincerely,

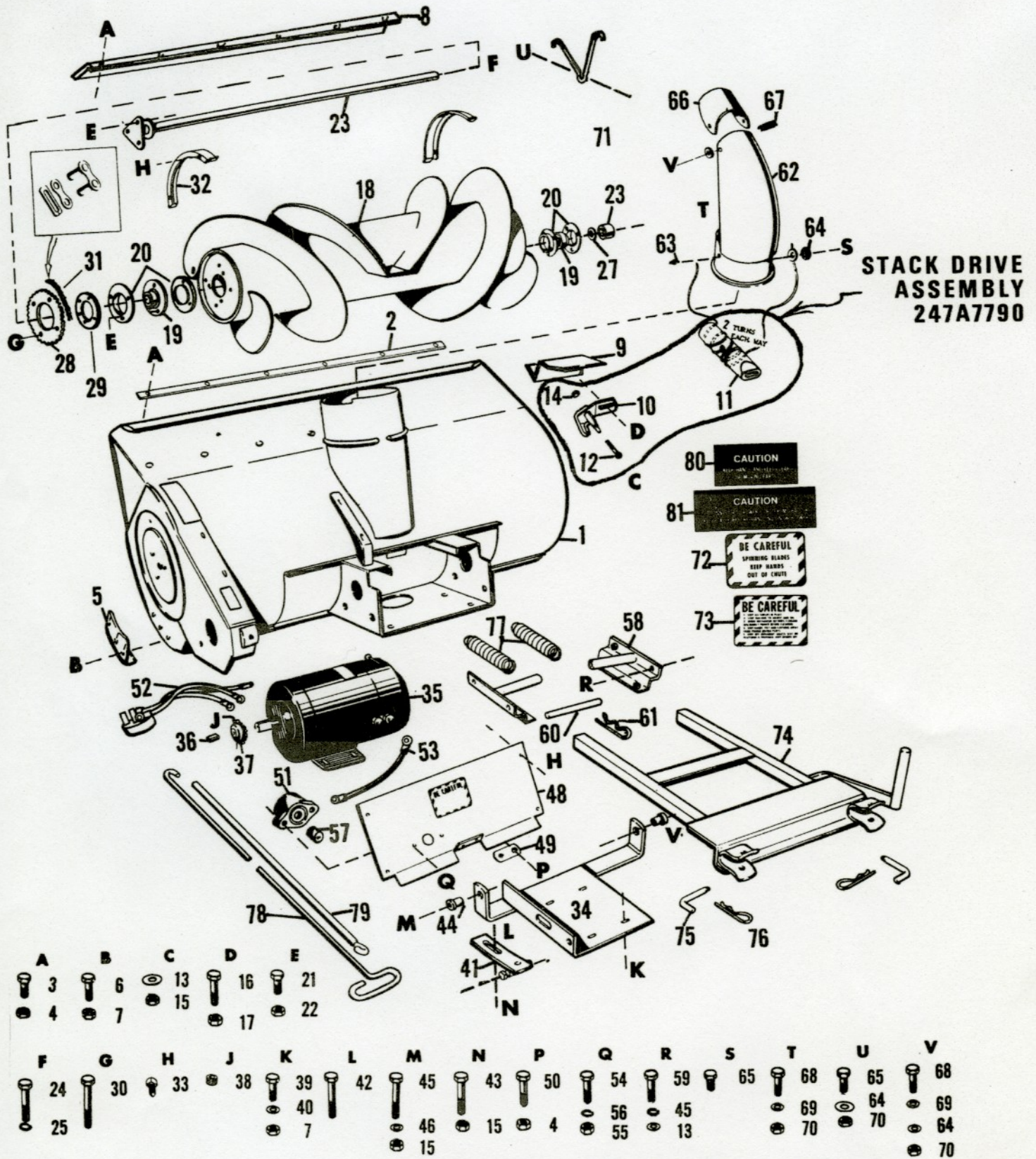


J. L. Armstrong,  
Manager - Dealer Services

JLA/lba

Attachments



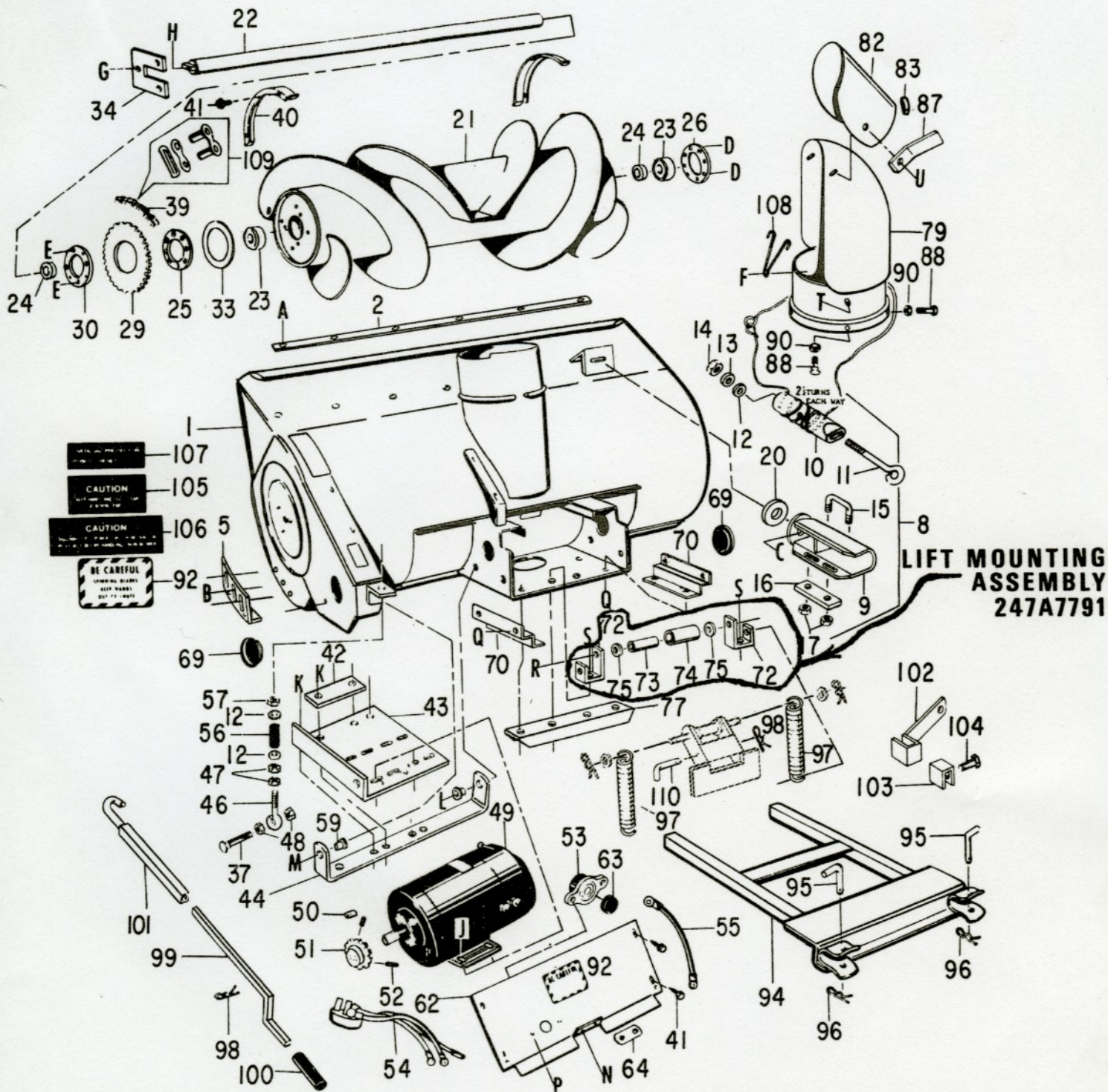


REFERENCE NUMBER IS THE NUMBER ON THE DRAWING PRECEDED BY "AD"

Fig. AC-5

16-12

**SNOW THROWER MODEL AD 42AA**



A	B	C	D	E	F	G	H	J	K	L	M	N	P	Q	R	S	T	U
3	6	18	27	31	88	35	37	6	45	58	61	93	65	71	76	78	81	6
4	7	19	28	32	80	28	38	38	12	12	12	4	68	12	12	12	80	85
				32				7	19	60	19		66		7	19		86
													67					

REFERENCE NUMBER IS THE NUMBER ON THE DRAWING PRECEDED BY "AD"

Fig. AC-6

16-16

**SNOW THROWER MODEL AD 42BA**